

Meriva

2010 Models Edition 1





Make the world adjust to you.

Looking for a compact MPV that's easy to park and manoeuvre around town? A car that makes rear passengers of all ages feel as welcome as those in the front – with adjustable rear seats that fit family members of all sizes and their luggage? Check out the latest Meriva models from Vauxhall. With fresh style, lively engine choices and great features throughout, today's Meriva fits your family's lifestyle – effortlessly.

This brochure covers Meriva Life, Club and Design models only. Some of the vehicles shown include options and accessories available at extra cost. And not all of the features described are available on every model. So please check in the Equipment section for further details. From time to time, we also offer alternative Meriva models such as Special Editions, featured in their own separate literature or found on the Vauxhall website: www.vauxhall.co.uk

FlexSpace® 6

Environmental issues 10

Safety 12

Driving dynamics 14

Engines and transmissions 16

Features 18

Meriva line-up 22

Options and accessories 28

Colours and trims 32

Equipment 36

Technical data 42





Stylish.
Compact.
Spacious.

And always fun.

With sharp lines and brilliant detailing, Meriva has bags of visual appeal. And everything is designed to make life that little bit easier, whether you're loading up at the supermarket, finding a place to park or simply heading off for a great day out.





Extra legroom?
Extra bag room?
Extra flexibility?

Welcome to
FlexSpace.®

Meriva's FlexSpace® seating system is all about finding simple ways to accommodate every family transport need, however unexpected, without removing the seats. With rear seats that move backwards, forwards – even sideways – and a 40/20/40 split-folding seat back, Meriva can always make room for friends, family and luggage – plus all the children's bags or buggies. You can even recline the outer rear seats back for a more relaxed seating position.

Feel the light.
Enjoy the view.
And relax.

Superb visibility. A fresh, bright interior and a higher seating position. The benefits of Meriva's tall yet compact styling are clearly evident in every department. And that's not simply from the driver's perspective. The advantages include more light. More space. More comfort and an altogether sunnier outlook. Wherever you're sitting!









Respect your world.

We all share a responsibility to look after our world. That's why Vauxhall has always been at the forefront of green automotive initiatives. Most recently, we are looking at ways to further reduce vehicle CO₂ emissions and working on even cleaner, alternative power sources, including zero-emission fuel cell technology.

But our commitment to preserving the environment goes even further. We have dramatically reduced manufacturing emissions, for example, and our new vehicles use more recycled materials and more recyclable parts than ever before.

We also offer free and easily accessible, environmentally friendly, end-of-life vehicle disposal through our partners Autogreen Ltd. And currently initiatives are in place to encourage disposal of older vehicles in return for valuable savings* on newer ones.

That way, we reduce our environmental impact in every phase of every vehicle's life cycle. Because your world is our world, too.

*Terms and conditions apply. Please ask your Retailer for details.

Safety for the whole family.

With a four-star Euro NCAP adult occupancy rating, it's clear that Meriva has a strong emphasis on safety features. Every model comes with twin front airbags, front seatbelt pretensioners and side-impact protection beams. All three rear seats are equipped with adjustable head restraints and lap and diagonal seatbelts – the centre belt pulls down from the roof.



ISOFIX child seat restraint system.

Every Meriva is fitted with ISOFIX child seat restraint fittings on both outer rear seats, with front passenger seat fittings optional as part of the Protection Pack. Used in conjunction with Vauxhall accessory child safety seats, the rigid ISOFIX anchoring mechanism virtually eliminates the dangers that can result from incorrect child seat installation. The Vauxhall ISOFIX child seat simply clicks into the mounting points engineered into the car.

Airbags. Every Meriva features driver and front passenger airbags as standard. Front seat side-impact airbags and full-size curtain airbags are available as part of the optional Protection Pack, along with active-safety front seat head restraints and other important safety features.



Adaptive Forward Lighting (AFL).

Optional on Meriva Club and Design models this sophisticated halogen lighting system moves the headlight beams up to 15 degrees left or right when you turn the steering wheel, helping improve your vision of the approaching bend. Further explanation can be found in the Technical data section on page 45.



Powerful lighting. Halogen headlights with electric headlight beam levelling are standard on every Meriva. And front fog lights, standard on Design and optional as part of the Club Plus Pack, help you see even more clearly, and arrive safely, in the most demanding of weather conditions.

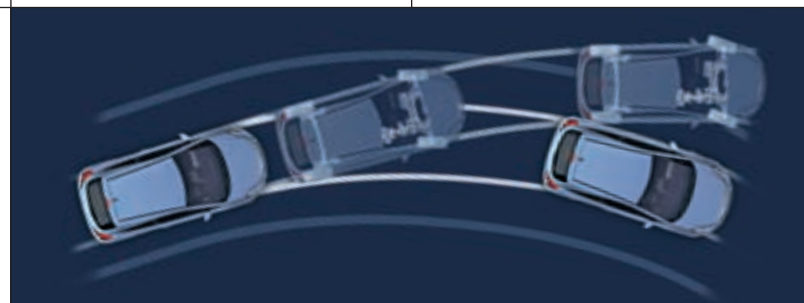


Security. The hard work we've put into securing your belongings has also led to low, money-saving Meriva insurance group ratings. Features include an engine deadlock immobiliser, remote control central deadlocking and a visible vehicle identification number.



◀ **Tinted rear lights.** Extra safety with style. Meriva's pillar-mounted rear lights increase visibility for following drivers whilst integrating perfectly into the car's smooth rear styling. High mounting also keeps them out of harm's way, protecting against accidental parking damage.

▶ **Driving dynamics.** A family car that's great to drive. Meriva gives you a real feeling of confidence at the wheel – secure in the corners and agile in all conditions. The ride is beautifully balanced – no matter how many people you have on board. And the intelligent chassis features like Dynamic SAFety (DSA) suspension – which enhances stability when braking on surfaces with differing levels of grip on either side of the vehicle – combined with anti-lock brakes and traction control gives the sort of active safety you would expect from Vauxhall.



ABS. Meriva's Anti-lock Braking System (ABS) with Electronic Brakeforce Distribution (EBD) and Emergency Brake Assist (EBA) can reduce emergency stopping distances, particularly on slippery roads. It prevents the wheels from locking up and allows drivers to retain steering control.

▶ **ESP and Traction Control*.** Electronic Stability Programme (ESP) helps you maintain control during adverse or emergency conditions. If the car begins to slide, ESP gently applies corrective braking to the appropriate road wheel to help you regain control. Traction Control (TC) helps prevent wheelspin during acceleration. Further explanation can be found in the Technical data section on page 45.

**Optional as part of Protection Pack.*



Where driving becomes a real pleasure.

Meriva is not just great fun to drive. Featuring Dynamic SAFety suspension (DSA), ABS, EBD and EBA all fitted as standard, together with the availability of ESP and TC across the range, the chassis spec reads like an A-Z of active safety. You can read more about what they do on the opposite page. Suffice to say that they're designed to give you greater peace of mind – whatever the road conditions.

Powerful and efficient. Responsive and clean.

Meriva's engines pack plenty of punch, matched with low fuel consumption and low service requirements too. The range extends to three advanced petrol engines and two super-efficient common rail turbo diesels.



Common rail diesels. Meriva is available with two advanced, common rail, turbo diesel engines. The 1.3CDTi 16v 75PS unit and more powerful 100PS 1.7CDTi 16v engine are designed to offer good flexibility, tight emissions control and low running costs.



Choice of transmissions. Meriva can be specified with either a slick, five-speed manual gearbox or, on some models, Vauxhall's innovative Easytronic transmission. The ratios on five-speed manual versions have been specifically chosen to optimise flexibility and promote ease of driving.

Petrol engines. Meriva is available with a choice of three advanced petrol engines – highly economical 1.4i 16v and 1.6i 16v Twinport units plus a powerful 1.8i 16v. The Twinport variable induction system ensures lively power delivery with high fuel economy and low emissions.



Easytronic. Choose the optional Easytronic transmission and you'll get a five-speed manual gearbox with a fully automatic mode. In manual mode, you simply push the lever forward or back to shift gears up or down. The fascia display tells you what gear you're in – 1 to 5, N for Neutral or A for Auto. Switch to fully automatic mode and it has many of the features of a regular automatic, including a kickdown function. There's no clutch pedal so you can drive it on an automatic-only driving licence.





▶ **Audio and Sat Nav.** If quality sounds are high on your agenda, you won't be disappointed by Meriva. Choose Life or Club and you get a quality CD player/ stereo radio with steering wheel controls as standard. Select Design and you're also treated to our ingenious rear seat Twin Audio® system and a CD player capable of playing MP3 CD files. Optional infotainment systems include an auxiliary-in socket so you can play tracks directly from your personal MP3 player, a CD autochanger and the very best in satellite navigation too. Turn to page 40/41 for more feature information and availability details.



▲ **Welcome lighting and door-to-door illumination.** On Club and Design models, the front, rear and interior lights are activated when the car is unlocked using the remote control unit; they go out when the engine is started, or when the car is locked. Also, simply flick the main beam headlight stalk on these models upon leaving the car and the dipped headlights and rear lights stay on for 30 seconds, giving you time to make your way from the vehicle in an unlit driveway or car park.



▼ **Air-con and ECC.** Air conditioning provides chilled air on hot days, faster demisting on damp days and a more pleasant atmosphere throughout the year. Move up to Electronic Climate Control (ECC) for a more consistent control of the interior temperature.



◀ **Bluetooth® technology.** Meriva Club models can be specified with the latest mobile phone technology, operated via the car's steering wheel mounted audio controls. Further explanation can be found in the Equipment section on page 41.

▲ **Perfect seating position.** With a six-way adjustable driver's seat – including height adjustment – and a tiltable steering column on Design models, it's easy to find the perfect seating position.





How do you like to drive?

Meriva puts the driver firmly in control. To begin with, the six-way adjustable driver's seat – including height adjustment – plus a tiltable steering column (standard on Design, optional at extra cost on Life and Club) ensure the perfect driving position. And the driver environment is packed with clever ideas to make driving easier and more enjoyable.



◀ ▼ **Twin Audio®.** Meriva's independent rear seat Twin Audio® system – standard on Design, optional on Club – comes with a single headphone set and separate rear controls. There's an on/off switch, the ability to change between CD and radio tuner and a scan function. So front and rear passengers can listen to the radio or a CD totally independently and at the same time. It even mutes the rear speakers when in use. Up to two headphone sets can be accommodated with independent headphone controls for each. Additional headphone sets and alternative earhook headphones (shown left) are available as accessories.



Enjoy the luxury of comfort and convenience.

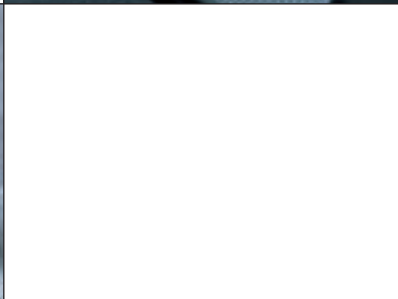
Meriva is a great car to travel in because it's just as comfortable in the back as in the front. And there are many clever features designed to make every journey a pleasure.



◀ ▶ ◂ ◃ **Clever storage solutions.** Meriva is packed with practical storage ideas. You'll find features like coin and drinks holders and luggage hooks on all models. On Club and Design models you can also specify the Convenience Pack adding features such as a stowage net, passenger's underseat storage tray and a driver's sunglasses holder.



◂ ◃ **Underfloor storage.** Choose the optional 15-inch steel spare wheel and Meriva's luggage compartment also features an underfloor storage area with three compartments including a special one designed for a warning triangle (not supplied).



◂ ◃ **Fold-out tray tables.** Meriva's practical tray tables, with their integrated drinks holders – standard on Design models – provide a handy surface for a variety of uses. They also come with net pockets for both front seat backs – perfect for magazines and other rear passenger belongings.



◂ ◃ **Fold-flat rear seats.** All Merivas have fold-flat rear seats making room for even more luggage – enough for loads of up to 1568mm in length. Together with the 40/20/40 seat fold configuration the Meriva's load area is adaptable for awkward sized objects. Turn to page 46 for more details of Meriva's loadspace dimensions and luggage capacities.





Decide who you are.

And choose your Meriva.

No two families are identical. And no two Meriva drivers will want exactly the same blend of model, engine and equipment. That's why we've made Meriva choice as flexible as possible. With three feature-packed trim levels, five power units and a huge array of options, option packs and accessories, Meriva offers a model to suit all families – and all budgets.

Life is our entry model – superb value and remarkably well equipped. Club is our upwardly mobile model – clearly aspirational in its outlook. While Design models more than live up to their name – capturing everything that's great about Meriva with an added injection of style.

LIFE**Standard features include:**

- Anti-lock Braking System (ABS)
- FlexSpace® flexible rear seats
- Twin front airbags
- Three rear seat head restraints
- Three lap and diagonal rear seatbelts
- Electrically operated front windows with safety autoreverse and one-touch facility
- CD player/stereo radio (CD 30)
- Steering wheel mounted audio controls
- Engine deadlock immobiliser
- Remote control central deadlocking
- ISOFIX child seat fixings on outer rear seats
- Dark-style tail lights

Engine availability**Insurance groups (ABI)**

| | 20 | 50 |
|------------------------------|----|-----|
| 1.4i 16v Twinport | 4E | 9E |
| 1.6i 16v Twinport | 4E | 12E |
| 1.6i 16v Twinport Easytronic | 4E | 12E |
| 1.3CDTi 16v | 3E | 8E |



Please note: Insurance groups relate to both the previous 20 group rating and the new 50 group rating.

Model illustrated features two-coat pearlescent paint, optional at extra cost.

CLUB

Additional features over and above Life model:

- Air conditioning
- Body-colour door handles and side-protection mouldings
- Body-colour electrically adjustable/heated door mirrors
- Front and rear reading lights
- Welcome lighting
- Door-to-door illumination

| Engine availability | Insurance groups (ABI) | |
|------------------------------|------------------------|-----|
| | 20 | 50 |
| 1.4i 16v Twinport | 5E | 10E |
| 1.6i 16v Twinport | 5E | 12E |
| 1.6i 16v Twinport Easytronic | 5E | 12E |
| 1.8i 16v | 6E | 15E |
| 1.8i 16v Easytronic | 6E | 15E |
| 1.3CDTi 16v | 4E | 8E |
| 1.7CDTi 16v | 6E | 15E |

Please note: Insurance groups relate to both the previous 20 group rating and the new 50 group rating.

Model illustrated features Convenience Pack and two-coat pearlescent paint, optional at extra cost.



Optional Club Plus Pack:

- 15-inch Structure wheels
- Front fog lights
- Leather-covered steering wheel
- Dark-tinted Solar Protect® glass (excludes windscreen and front door windows)
- Cruise control
- Tilttable steering column

DESIGN

Additional features over and above Club model:

- Tilttable steering column
- Leather-covered steering wheel
- Cruise control
- Black foil on door pillars
- Dark-tinted Solar Protect® glass
- Twin electrically operated sunroofs
- Front fog lights with chrome-effect surrounds
- CD player with MP3 format/stereo radio (CD 30 MP3)
- Rear seat Twin Audio®
- Map pockets and aviation-style folding trays on front seat backs
- Alloy-effect centre console
- 15-inch Structure wheels

| Engine availability | Insurance groups (ABI) | |
|------------------------------|------------------------|-----|
| | 20 | 50 |
| 1.4i 16v Twinport | 5E | 12E |
| 1.6i 16v Twinport | 5E | 12E |
| 1.6i 16v Twinport Easytronic | 5E | 12E |
| 1.8i 16v | 6E | 16E |
| 1.8i 16v Easytronic | 6E | 16E |
| 1.7CDTi 16v | 6E | 15E |

Please note: Insurance groups relate to both the previous 20 group rating and the new 50 group rating.

Model illustrated features electrically operated rear windows and two-coat metallic paint, optional at extra cost.



Optional Design Plus Pack:

- Electronic Climate Control (ECC) incorporating air conditioning
- Solar Reflect® windscreen
- Electro-chromatic anti-dazzle rear-view mirror
- Indirect night lighting

DESIGN EXTERIOR PACK

Additional features over and above Design model:

- 17-inch five-spoke alloy wheels
- VXR Styling Pack One

Model illustrated features two-coat metallic paint, optional at extra cost.

▶ VXR Styling Pack One:

- Body-colour front lower spoiler
- Body-colour side sills
- Body-colour rear lower skirt
- Body-colour rear roof spoiler

▶ Rear lower skirt.



▶ Rear roof spoiler.



Vauxhall options and accessories are all about choice – selecting your new car, then personalising it to suit yourself. There's a choice of factory-fitted options and a huge range of retailer-fit accessories. You can also choose styling products from the VXR range as well as auto design specialist Irmischer International. You'll find further information on the following pages or just ask your Vauxhall retailer for more details.



VXR Styling

Inspired by the hugely successful VXRRacing team, Vauxhall VXR styling products come with all the same experience, knowledge, and passion for style and performance. They put the accent firmly on quality and exclusivity, with a winning edge. And they add flair, personality and excitement to every Meriva model. VXR styling products are available as a factory-fit option pack or accessories fitted by your Vauxhall retailer.

◀ ▶ **VXR Styling Pack One.** Breathe some extra style into your Meriva with a front lower spoiler, side sills, rear roof spoiler (see below) and rear skirt. All of these items are also available separately as retailer-fit accessories. Design model illustrated also features optional 16-inch alloy wheels available at extra cost.



▶ Protection Pack:

- Electronic Stability Programme (ESP)
- Traction control
- Full-size curtain airbags
- Front seat side-impact airbags
- Active-safety front seat head restraints
- Front seat occupancy detection
- ISOFIX child seat fittings

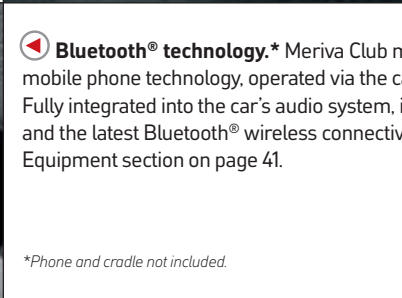


◀ Bluetooth® technology.* Meriva Club models can be specified with the latest mobile phone technology, operated via the car's steering wheel mounted audio controls. Fully integrated into the car's audio system, it is easy to use, with both voice activation and the latest Bluetooth® wireless connectivity. Further explanation can be found in the Equipment section on page 41.

**Phone and cradle not included.*

▶ Design Plus Pack:

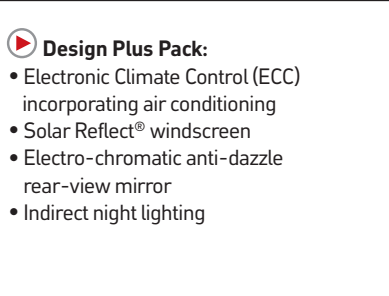
- Electronic Climate Control (ECC) incorporating air conditioning
- Solar Reflect® windscreen
- Electro-chromatic anti-dazzle rear-view mirror
- Indirect night lighting



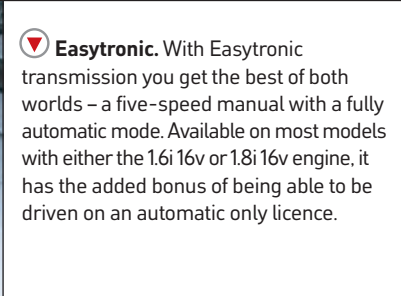
▼ Easytronic. With Easytronic transmission you get the best of both worlds – a five-speed manual with a fully automatic mode. Available on most models with either the 1.6i 16v or 1.8i 16v engine, it has the added bonus of being able to be driven on an automatic only licence.

INDIVIDUAL OPTIONS INCLUDE:

- Tilttable steering column
- Air conditioning
- Electrically operated rear windows
- Satellite navigation/CD player with MP3 format/auxiliary-in socket/stereo radio (CD 70) with monochromatic graphic information display
- CD autochanger with MP3 format/stereo radio (CDC 40) with monochromatic graphic information display
- CD player with MP3 format/auxiliary-in socket/stereo radio (CD 30 MP3)
- Rear seat Twin Audio® system with single headset (deletes auxiliary-in socket)



◀ Adaptive Forward Lighting (AFL). Optional on Meriva Club and Design models this sophisticated halogen lighting system moves the headlight beams up to 15 degrees left or right when you turn the steering wheel, helping improve your vision of the approaching bend.



▶ Club Plus Pack:

- 15-inch Structure wheels
- Front fog lights
- Leather-covered steering wheel
- Dark-tinted glass
- Cruise control
- Tilttable steering column



Vauxhall accessories are the right choice for your Meriva. Whatever you're into, there's certain to be a Vauxhall accessory with your name on it, all fitted by trained Vauxhall professionals. We've only featured a small selection of what's available here. The Vauxhall Car Accessory Brochure gives further details.

Floor mats. A range of floor mats including rubber, velour and deluxe velour are available for your Meriva. Each come with their own fixing points which help keep them firmly in place. Supplied in sets of four.



Dog guard*. Specially designed for Meriva, our heavy-duty steel dog guard will help keep your dog secure in the rear of the car and protects the driver and passenger in the event of sudden braking or emergency manoeuvres.

**Only fits directly behind front seats with rear seat folded flat.*



Base carrier and roof box. The Vauxhall roof rack system begins with a base carrier, comprising two T-track roof bars which support a wide range of attachments. These include a high capacity roof box which is lockable and easy to fit.



Rear parking distance sensors. Activated automatically as you select reverse, this clever system beeps faster the closer you get to an obstruction, changing to a continuous tone at 300mm away.

FURTHER ACCESSORIES AVAILABLE INCLUDE:

- Thatcham approved alarm system
- Cargo liner
- Mudflaps
- Headlight protectors
- Detachable tow bar
- Electrically chilled 12-litre cool bag
- Premium bicycle carrier
- Side loading bicycle carrier
- Alloy ski carrier
- Anti-slip mat
- Steering wheel security bar
- Baby-Safe child seat
- Privacy shades
- Alloy wheels

VAUXHALL ACCESSORY PACKS

Vauxhall accessory packs bring together a selection of essential accessories at great prices, helping you to protect your car and equipping you for roadside emergencies.

Irmscher

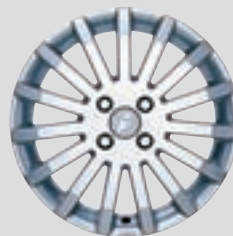
Styling

Developed in conjunction with auto design specialists Irmscher International, Meriva styling accessories perfectly complement the vehicle's lines, as well as being manufactured to the same exacting standards as the car itself. For availability details please ask your Vauxhall retailer.

▶ **Interior door sill covers.** Protection and style are offered in these stainless steel finished sill covers. Available in pairs (front only) or sets of four.



◀ **Irmscher alloy wheels.** They're the perfect way to personalise your Meriva. With a huge range to choose from (style illustrated is Signa), and sizes from 15 to 17 inches, you're sure to find one to suit your style and budget. And don't forget to ask about our accessory wheel locking kits too.



◀ ▶ **Protection Pack.**

- Velour mats
- Mudflaps
- Cargo liner



▶ **Cross hatch front grille.** Being different is easy with the cross hatch front grille from Irmscher. Featuring the Irmscher silhouette logo it adds style and individuality.



▶ **Safety Pack.**

- First aid kit
- Warning triangle
- Hi-visibility vest



▶ Flame Red – solid



▶ Star Silver – metallic



▶ Royal Blue – solid



▶ Silver Lightning – metallic



▶ Metro Blue – metallic



▶ Green Spirit – metallic



▶ Lancelot – metallic



▶ Ultra Blue – pearlescent



Meriva's colour and trim combinations have been carefully selected to complement each other, while reflecting the individual status of each model in the range.

Due to the limitations of the printing process the colours reproduced may vary slightly from the actual paint colour or trim material. As a result they should be used as a guide only. Your Vauxhall retailer has a comprehensive display of all our paint samples and trim swatches. Vehicle illustrated is a non-specific model.

▶ Steel Blue – pearlescent



▶ Air Blue – pearlescent



▶ Black Sapphire – pearlescent

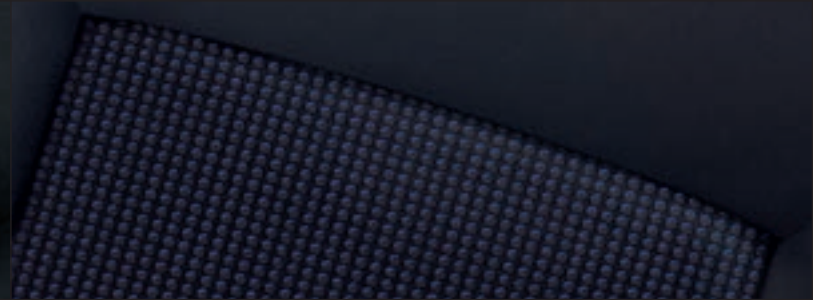


Interior trims

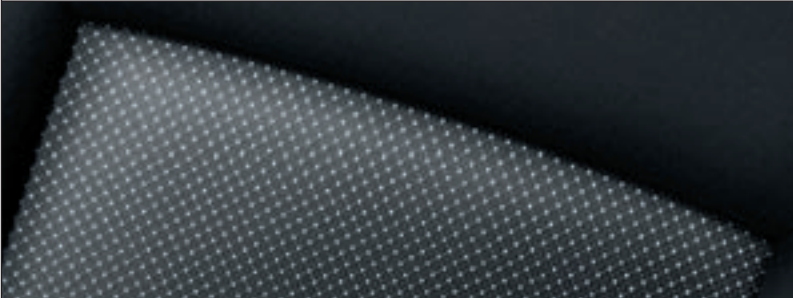
▼ Punch, Charcoal



▼ Punch, Blue



▼ Fuse, Charcoal



Exterior colours

Model, trim name and trim colour

| | Life Punch cloth | Club Punch 'Classic' cloth | Design Fuse cloth |
|------------------------------|---------------------|-------------------------------|----------------------|
| Solid | | | |
| Flame Red | Charcoal | Charcoal | Charcoal |
| Royal Blue | Charcoal | Charcoal | Charcoal |
| Two-coat metallic* | | | |
| Star Silver | Charcoal | Charcoal or Blue | Charcoal |
| Silver Lightning | Charcoal | Charcoal or Blue | Charcoal |
| Metro Blue | Charcoal | Charcoal or Blue | Charcoal |
| Lancelot | Charcoal | Charcoal or Blue | Charcoal |
| Green Spirit | Charcoal | Charcoal | Charcoal |
| Two-coat pearlescent* | | | |
| Ultra Blue | Charcoal | Charcoal or Blue | Charcoal |
| Steel Blue | Charcoal | Charcoal | Charcoal |
| Air Blue | Charcoal | Charcoal or Blue | Charcoal |
| Black Sapphire | Charcoal | Charcoal or Blue | Charcoal |

* = Available at extra cost.

Contents

Equipment

| | |
|--|----|
| Safety Security | 36 |
| Heating and ventilation Facia, instruments and controls Seating | 37 |
| Additional interior features Mechanical | 38 |
| Wheels and tyres Exterior protection and styling Exterior and convenience features | 39 |
| Option packs Audio, navigation and communication | 40 |
| Technical data | |
| Engines | 42 |
| Performance, fuel economy and emissions Weights and towing data | 43 |
| Vauxhall Assistance and warranties, transmission, steering, suspension and brakes | 44 |
| Features explained | 45 |
| Exterior dimensions Luggage capacities | 46 |
| Seating configurations | 47 |

Safety

Standard features • Driver's airbag • Front passenger's airbag • Pedal release system – Reduces potential injury to the driver's legs and feet during a severe frontal impact • Laminated windscreen • Burst-proof door locks and anti-jam door design • Reinforced passenger safety cell • Side-impact protection beams • Fuel tank located ahead of rear axle

• ISOFIX child seat restraint system for outer rear seats (does not include child seat) • Child-proof locks on rear doors

• Anti-lock Braking System (ABS) with Electronic Brakeforce Distribution (EBD) • Emergency Brake Assist (EBA)

– See **D1** on page 45

• Height-adjustable front seat head restraints • Height-adjustable front seatbelts • Pyrotechnic front body-lock seatbelt pretensioner system – Tightens the seatbelt during the early stages of a frontal impact • Front seatbelt force limiters – Reduce potential upper body injuries during a frontal impact • Three inertia-reel lap and diagonal rear seatbelts • Three adjustable rear seat head restraints • Anti-submarining ramps in all seats – Help prevent occupants sliding underneath the lap belt during a collision • Reinforced rear seat back – Helps prevent heavy items entering the passenger compartment

| Additional features | Life | Club | Design | Design XP |
|---|--------------------------|--------------------------|--------------------------|--------------------------|
| Front seat side-impact airbags | <input type="checkbox"/> | <input type="checkbox"/> | <input type="checkbox"/> | <input type="checkbox"/> |
| Full-size curtain airbags | <input type="checkbox"/> | <input type="checkbox"/> | <input type="checkbox"/> | <input type="checkbox"/> |
| Automatic seat occupancy detection for front passenger's airbags | <input type="checkbox"/> | <input type="checkbox"/> | <input type="checkbox"/> | <input type="checkbox"/> |
| ISOFIX child seat restraint system for front passenger's seat (does not include child seat) | <input type="checkbox"/> | <input type="checkbox"/> | <input type="checkbox"/> | <input type="checkbox"/> |
| Active-safety front seat head restraints (height-adjustable) | <input type="checkbox"/> | <input type="checkbox"/> | <input type="checkbox"/> | <input type="checkbox"/> |
| Electronic Stability Programme (ESP) – see D2 on page 45 | <input type="checkbox"/> | <input type="checkbox"/> | <input type="checkbox"/> | <input type="checkbox"/> |
| Electronic traction control with two-way intervention | <input type="checkbox"/> | <input type="checkbox"/> | <input type="checkbox"/> | <input type="checkbox"/> |

Security

Standard features • Remote control two-stage central locking (doors, tailgate and fuel flap) with security deadlocks • Freewheeling door and ignition locks • Electronic theft protection system for audio equipment and remote display • Electronic engine deadlock immobiliser • 'Key left in ignition' audible warning • Visible Vehicle Identification Number (VIN)

| Additional feature | Life | Club | Design | Design XP |
|---------------------------|------|------|--------|-----------|
| Door-to-door illumination | | ● | ● | ● |

Heating and ventilation

Standard features • Air blend heater with four-speed fan and illuminated controls • Interior pollen filter • Side window demist vents • Four adjustable heating and ventilation outlets on facia • Rear passenger compartment heating outlets on centre console

Additional features

| | Life | Club | Design | Design XP |
|--|----------------|------|--------|-----------|
| Interior odour-reducing activated charcoal filter | ● ¹ | | | |
| Air conditioning and air recirculation facility | ○ | ● | ● | ● |
| Electronic Climate Control (ECC) and Solar Reflect® windscreen | | | □ | □ |

Facia, instruments and controls

Standard features • Rev counter • Electronically controlled coolant temperature gauge and fuel gauge • Trip odometer • Low fuel level warning light • Service-due indicator • Handbrake-on warning light • Three-spoke steering wheel • Instrument panel light dimmer • Illuminated glovebox with lid • 12-volt electrical accessory socket in front and rear centre consoles • Multi-function display panel showing time, date, audio information and outside air temperature (with ice warning function) • Digital clock with automatic RDS time adjustment

Additional features

| | Life | Club | Design | Design XP |
|--------------------------------|------|----------------|--------|-----------|
| Tiltable steering column | ○ | ○ ² | ● | ● |
| Leather-covered steering wheel | | □ | ● | ● |
| Cruise control | | □ | ● | ● |

Seating and upholstery

Standard features • Reclining front seats • Driver's seat height adjuster • FlexSpace® rear seating – Provides an innovative solution to varying passenger and luggage carrying requirements • 40/20/40 split-folding rear seat • Outer rear seats independently adjustable for reach and rake

Additional features

| | Life | Club | Design | Design XP |
|--|------|------|--------|-----------|
| Punch cloth seat trim | ● | ● | | |
| Fuse cloth seat trim | | | ● | ● |
| Front seat folding centre armrest | | □ | □ | □ |
| Map pockets and aviation-style folding trays on front seat backs | | | ● | ● |
| Front passenger's underseat storage tray | | □ | □ | □ |



Electronic Climate Control (ECC).



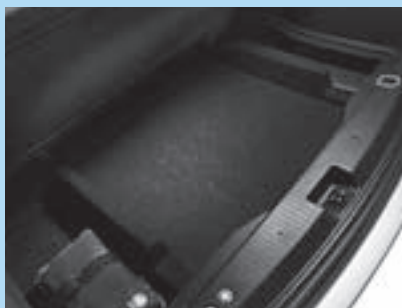
Multi-function display panel.

- = Standard equipment.
- = Optional at extra cost.
- = Only available as part of an extra-cost option pack (see page 40 for details).
- XP = Design with Exterior Pack models.

- 1 = Activated charcoal filter is deleted if optional air conditioning is specified.
- 2 = Also available as part of an extra-cost option pack.



Driver's sunglasses holder.



Optional storage compartments – fitted in conjunction with optional spare wheel.



Front passenger's storage net on lower centre console.

Additional interior features

Standard features • Front door pockets with drinks holders • Drinks holders in centre console • Coin holder in centre console • Three tiltable passenger assist handles, rear with integral coat hooks • Dipping rear-view mirror • Twin sunvisors with mirror and document pocket • Fade up/fade down front courtesy light operated by front door switches • Hinged and folding luggage compartment cover • Illuminated luggage area • Two interior tailgate handles • Four load restraint lashing eyes • Storage bins in sides of luggage compartment • Load area sill protection • Chrome-effect door handles, handbrake button and gear knob trim

| Additional features | Life | Club | Design | Design XP |
|--|------|------|----------------|----------------|
| Maze charcoal trim inserts on facia and front doors | | ● | | |
| Maze chrome inserts on facia and front doors | | | ● | ● |
| Dark metallic-effect centre console | ● | ● | | |
| Alloy-effect centre console | | | ● | ● |
| Chrome-effect trim on instrument surrounds | | ● | ● | ● |
| Driver's sunglasses holder | | □ | □ ³ | □ ³ |
| Front reading lights | | ● | ● | ● |
| Rear reading lights | | ● | ● | ● |
| Indirect night lighting and electro-chromatic anti-dazzle rear-view mirror | | | □ | □ |
| Front passenger's storage net on lower centre console | | □ | □ | □ |
| Two luggage hooks on rear seat backs | | ● | ● | ● |
| Load-restraining floor net in luggage area | | □ | □ | □ |
| Moulded styrofoam storage compartments under luggage compartment floor | ● | ● | ● | ● |
| Storage compartments under luggage compartment floor (fitted in conjunction with optional 15-inch spare wheel, not available separately) | ○ | ○ | ○ | |

Mechanical

Standard features • Front-wheel drive • Five-speed manual gearbox • Speed-sensitive electric power-assisted steering • Gas-pressure dampers • Front anti-roll bar

| Additional feature | Life | Club | Design | Design XP |
|---|------|------|--------|-----------|
| Easytronic five-speed transmission with sequential manual gearshift or automatic mode (1.6i 16v/1.8i 16v models only) | ○ | ○ | ○ | ○ |

Wheels and tyres

| Features | Life | Club | Design | Design XP |
|---|------|----------------|----------------|----------------|
| Flush wheel covers | ● | ● | | |
| 15-inch steel wheels with 185/60 R 15 low profile tyres | ● | ● ⁴ | | |
| 15-inch Structure wheels with 185/60 R 15 low profile tyres | | □ ⁵ | ● | |
| 16-inch alloy wheels with 205/50 R 16 ultra-low profile tyres and locking wheel bolts | | | ○ ⁴ | |
| 17-inch alloy wheels with 205/45 R 17 ultra-low profile tyres and locking wheel bolts | | | | ● ⁴ |
| Emergency tyre inflation kit (in lieu of spare wheel) | ● | ● | ● | ● |
| 15-inch steel spare wheel/tyre (in lieu of emergency tyre inflation kit) | ○ | ○ ⁶ | ○ ⁶ | |



15-inch Structure wheel.

Exterior protection and styling

| Features | Life | Club | Design | Design XP |
|---|------|----------------|--------|-----------|
| Chrome-effect moulding on tailgate | ● | ● | ● | ● |
| Body-colour bumpers | ● | ● | ● | ● |
| Black body side-protection mouldings | ● | | | |
| Body-colour side-protection mouldings, door handles and tailgate handle | | ● | ● | ● |
| Body-colour door mirrors | | ● | ● | ● |
| Black foil on door pillars (except with Black Sapphire paint) | | ○ ⁷ | ● | ● |



Design with Exterior Pack 17-inch wheel.

Exterior and convenience features

Standard features • Green-tinted glass • Two-speed symmetrical overlap windscreen wipers with variable intermittent wipe • Heated rear window with intermittent wash/wipe • Automatic activation of rear wiper when windscreen wipers are operating and reverse gear is selected • Foldable door mirrors • Lights-on audible warning • Halogen headlights • Electric headlight beam levelling • High-level LED centre brake light • Dark-style tail lights

| Additional features | Life | Club | Design | Design XP |
|--|------|------|----------------|----------------|
| Welcome lighting | | ● | ● | ● |
| Dark-tinted Solar Protect® glass (excludes windscreen and front door windows) ⁸ | | □ | ● | ● |
| Electrically operated front windows with safety autoreverse and one-touch facility | ● | ● | ● | ● |
| Electrically operated rear windows with safety autoreverse and one-touch facility | | | ○ | ○ |
| Twin electrically adjustable/heated door mirrors (wide-angle on driver's side) | | ● | ● | ● |
| Electrically operated slide/tilt glass front sunroof and tiltable glass rear sunroof | | | ● | ● |
| Adaptive Forward Lighting (AFL) – halogen – see D3 on page 45 | | ○ | ○ | ○ |
| Front fog lights | | □ | ● ⁹ | ● ⁹ |
| Two-coat metallic or pearlescent paint | ○ | ○ | ○ | ○ |

● = Standard equipment.
○ = Optional at extra cost.
□ = Only available as part of an extra-cost option pack (see page 40 for details).
XP = Design with Exterior Pack models.

3 = Deleted if optional Protection Pack is specified.
4 = 1.7CDTi 1.6v models feature five-bolt wheel attachment, all others are four-bolt.
5 = All models feature five-bolt wheel attachment.
6 = Not available in conjunction with VXR Styling Pack One.
7 = Fitted in conjunction with optional Plus Pack. Not available separately.
8 = Includes black foil on door pillars except on models with optional Black Sapphire two-coat pearlescent paint.
9 = Includes chrome-effect surround.



Cruise control – part of the Club Plus Pack.



CD player with MP3 format.

- = Standard equipment.
- = Optional at extra cost.
- XP = Design with Exterior Pack models.

8 = Includes black foil on door pillars except on models with optional Black Sapphire two-coat pearlescent paint.

10 = Deletes driver's sunglasses holder if specified in conjunction with Convenience Pack.

11 = Does not include auxiliary-in socket.

12 = Only available in conjunction with optional audio units. Deletes auxiliary-in socket from CD 30 MP3. Not available in conjunction with mobile phone system with Bluetooth®.

13 = Not available in conjunction with rear seat Twin Audio®.

Option packs

| | Life | Club | Design | Design XP |
|---|------|------|-----------------|-----------------|
| VXR Styling Pack One • Body-colour front lower spoiler/side sills/rear lower skirt/rear roof spoiler | | ○ | ○ | ● |
| Protection Pack • Electronic Stability Programme (ESP) – see D2 on page 45 • Electronic traction control with two-way intervention • Full-size curtain airbags • Front seat side-impact airbags • Active-safety front seat head restraints • Automatic seat occupancy detection for front passenger's airbags • ISOFIX child seat restraint system for front passenger's seat (does not include child seat) | ○ | ○ | ○ ¹⁰ | ○ ¹⁰ |
| Convenience Pack • Front seat folding centre armrest • Front passenger's underseat storage tray • Driver's sunglasses holder • Front passenger's storage net on lower centre console • Load-restraining floor net in luggage area | | ○ | ○ | ○ |
| Plus Pack • 15-inch Structure wheels • Front fog lights • Leather-covered steering wheel • Cruise control • Tilttable steering column • Dark-tinted Solar Protect® glass (excludes windscreen and front door windows) ⁸ | | ○ | | |
| Plus Pack • Electronic Climate Control (ECC) incorporating air conditioning • Solar Reflect® windscreen • Electro-chromatic anti-dazzle rear-view mirror • Indirect night lighting | | | ○ | ○ |

Audio, navigation and communication

| Features | Life | Club | Design | Design XP |
|---|------|-----------------|-----------------|-----------------|
| CD player/stereo radio (CD 30) • CD player • AM/FM stereo radio with 24 station presets • RDS with Traffic Programme • Remote display • 20 watts per channel output • 6 speakers | ● | ● | | |
| CD player with MP3 format/stereo radio (CD 30 MP3) • CD player with MP3 format • Auxiliary-in socket • AM/FM stereo radio with 24 station presets • RDS with Traffic Programme • Remote display • 20 watts per channel output • 6 speakers | ○ | ○ | ● ¹¹ | ● ¹¹ |
| CD autochanger with MP3 format/stereo radio (CDC 40) • Integral six-disc CD autochanger with MP3 format • AM/FM stereo radio with 36 station presets • RDS with Traffic Programme • Remote monochromatic graphic information display • 20 watts per channel output • 8 speakers | | ○ | ○ | ○ |
| Satellite navigation/CD player with MP3 format/stereo radio (CD 70) • Satellite navigation system • CD player with MP3 format • Auxiliary-in socket • AM/FM stereo radio with 24 station presets • RDS with Traffic Programme • Remote monochromatic graphic information display • 20 watts per channel output • 6 speakers | | ○ | ○ | ○ |
| Steering wheel mounted audio controls | ● | ● | ● | ● |
| Rear seat Twin Audio® with single headset | | ○ ¹² | ● | ● |
| Mobile phone system with Bluetooth® (does not include phone or phone-specific cradle) and graphic information display | | ○ ¹³ | | |

Satellite navigation

Vauxhall's CD-ROM-driven satellite navigation system is very simple to operate, using a range of menu-driven options which are easily accessed via the steering wheel mounted audio controls.

The CD-ROM supplied with the system covers all major link roads and streets in towns and cities across mainland Britain.

Clearly spoken instructions indicate the road you need to take, while directional pictograms, clearly shown on the special monochromatic graphic information display, back-up the spoken commands.

The CD 70 also features Traffic Message Channel (TMC), a specific application of RDS used for broadcasting real-time traffic information, delivered either visually or verbally.

Standard features

- Automatic re-routing on request
- CD-ROMs available for all major European countries
- Display of estimated time remaining and distance to destination
- Exact location of vehicle using the GPS (Global Positioning System) and speed sensor
- Choice of four different route types
- Store up to 100 personal destinations
- Last 10 destinations stored automatically

Auxiliary-in socket

The auxiliary-in socket allows you to connect your portable MP3 music player directly into the car's audio system. All you need is your music player and a suitable connecting lead and you can listen to all your favourite tunes through your car's speaker system. Using your MP3 music player in the car couldn't be easier – use it to select the music, as you would normally do, while controlling the volume via the car's regular volume controls.

MP3 CD player

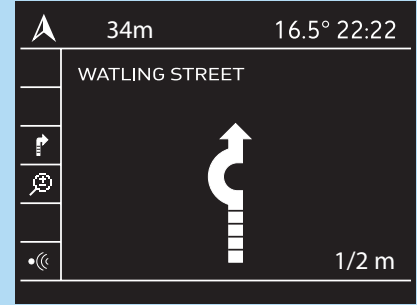
An MP3 is a compressed sound or music file which, due to its small size, takes up less space on a compact disc, which means that more tracks can be recorded onto a CD. It's possible to fit almost 10 hours of music onto one CD, and, in a way, turns a single-disc CD/MP3 player into a multi-disc autochanger. Providing you have access to a compatible computer to create the MP3 tracks, you can compress your CD collection and create your own compilations – and you won't have to drive around with all your original CDs in the car.

Mobile phone system with Bluetooth®

Available on Meriva Club models only, Vauxhall's factory-fit dual-band mobile phone system has been considerably enhanced. Now fully integrated into the audio and communication system, it also features voice control and will connect wirelessly to phones with Bluetooth® technology.

All the required information is displayed on the multi-function display when a mobile phone is in use, while the menus are easily navigated by either the steering wheel audio controls or the multi-function button on the radio. Certain functions can also be controlled by voice activation.

Mounted on the centre console, the phone system base unit can be fitted with phone-specific cradles (available as accessories) for many different mobile phones. A list of compatible cradles is featured in the online Vauxhall Car and Accessory Price Guide.



Satellite navigation.



Mobile phone system with Bluetooth®.

Vauxhall supporting



Smarter driving tips

- Drive at an appropriate speed: – Staying within the speed limit increases driver safety, reduces CO₂ emissions and saves fuel. At 70mph you could be using up to 9% more fuel than at 60mph and up to 15% more fuel than at 50mph
- Drive smoothly at all times: – Anticipate the ebb and flow of the traffic to avoid harsh acceleration and braking
- Reduce your revs: – Change gear earlier to help reduce fuel consumption – try 2500 rpm with petrol engines and 2000 rpm with diesel
- Idling is wasting fuel: – If you're likely to be at a standstill for more than three minutes, switch off the engine to save fuel
- Regularly check your tyre pressures: – Under inflated tyres increase CO₂ emissions whilst incorrectly inflated tyres can be unsafe. Always check your handbook for the correct tyre pressure. This will also help to increase the life of your tyres
- Remove unnecessary items from the car: – Extra weight increases the engine's workload, whilst roof racks and bike carriers increase wind resistance. All burn more fuel and increase CO₂ emissions

Petrol engines

| | 1.4i 16v Twinport ECOTEC-4 | 1.6i 16v Twinport ECOTEC-4 | 1.8i 16v ECOTEC-4 |
|--|--|------------------------------|--|
| Capacity | 1364cc | 1598cc | 1796cc |
| Maximum power | 90PS (66kW) @ 5600rpm | 105PS (77kW) @ 6000rpm | 125PS (92kW) @ 6000rpm |
| Maximum torque | 125Nm (92 lb.ft.) @ 4000rpm | 150Nm (111 lb.ft.) @ 3900rpm | 165Nm (122 lb.ft.) @ 4600rpm |
| Configuration | 4 cylinders, 4 valves per cylinder, double overhead camshafts | | |
| Fuel/induction system | Naturally aspirated with vacuum-controlled Twinport inlet ports Multi-point sequential fuel injection | | Naturally aspirated Multi-point sequential fuel injection |
| Service interval | 20,000 miles or 1 year (whichever occurs sooner) | | |
| Benefit in kind company car taxation – 2009/10 tax year | | | |
| All models | 17% | 19% | 22% |

Diesel engines

| | 1.3CDTi 16v ECOTEC-4 | 1.7CDTi 16v ECOTEC-4 |
|--|---|------------------------------|
| Capacity | 1248cc | 1686cc |
| Maximum power | 75PS (55kW) @ 4000rpm | 100PS (74kW) @ 4400rpm |
| Maximum torque | 170Nm (126 lb.ft.) @ 1750-2500rpm | 240Nm (177 lb.ft.) @ 2300rpm |
| Configuration | 4 cylinders, 4 valves per cylinder, double overhead camshafts | |
| Fuel/induction system | Turbocharger with intercooler. Common rail fuel injection | |
| Service interval | 20,000 miles or 1 year (whichever occurs sooner) | |
| Benefit in kind company car taxation – 2009/10 tax year | | |
| All models | 18% | 18% |

Performance, fuel economy and emissions

| Model | Performance (manufacturer's figures) | | | | Fuel economy mpg (litres/100km) | | | CO ₂ emissions (g/km) |
|-------------------|--------------------------------------|-----------------------------|---------------------|------------------------|---------------------------------|---------------------|-----------------|----------------------------------|
| | Maximum speed (mph) | Acceleration (secs) 0-60mph | 30-50mph (4th gear) | mph/1000rpm (5th gear) | Urban driving | Extra-urban driving | Combined figure | |
| Manual | | | | | | | | |
| 1.4i 16v | 104 | 13.4 | 11.3 | 21.0 | 34.9 (8.1) | 55.4 (5.1) | 45.6 (6.2) | 148 |
| 1.6i 16v | 112 | 12.4 | 10.8 | 22.9 | 31.7 (8.9) | 52.3 (5.4) | 42.2 (6.7) | 159 |
| 1.8i 16v | 118 | 10.3 | 9.5 | 23.0 | 27.4 (10.3) | 50.4 (5.6) | 38.7 (7.3) | 174 |
| 1.3CDTi 16v | 98 | 16.6 | 8.7 | 22.9 | 45.6 (6.2) | 65.7 (4.3) | 56.5 (5.0) | 134 |
| 1.7CDTi 16v | 111 | 12.4 | 8.0 | 25.9 | 42.8 (6.6) | 64.2 (4.4) | 54.3 (5.2) | 139 |
| Easytronic | | | | | | | | |
| 1.6i 16v | 112 | 13.4 | - | 24.4 | 31.7 (8.9) | 52.3 (5.4) | 42.2 (6.7) | 159 |
| 1.8i 16v | 118 | 11.3 | - | 23.0 | 28.0 (10.1) | 49.6 (5.7) | 38.7 (7.3) | 174 |

The fuel consumption figures shown comply with EC directive 1999/100 to provide a realistic indication of fuel consumption by taking into account everyday driving conditions, such as cold starts, acceleration and braking. These figures take account of the vehicle's kerbweight, ascertained in accordance with the above regulation. **Important:** the results given relate to the particular car tested. Variations in trim level and equipment may result in slightly higher fuel consumption and CO₂ emission levels than those quoted. Driving style, road and traffic conditions, vehicle mileage and standard of maintenance may also affect fuel consumption; therefore the results do not express or imply any guarantee of fuel consumption attainable.

Weights and towing data kg

| | Gross vehicle weight | Maximum towing weights Trailer with brakes (without brakes) |
|--------------------------------------|----------------------|--|
| 1.4i 16v Life | 1785 | 1000 (630) |
| 1.4i 16v Life (air-con.)/Club/Design | 1810 | 1000 (630) |
| 1.6i 16v Life | 1830 | 1200 (675) |
| 1.6i 16v Life (air-con.)/Club/Design | 1855 | 1200 (675) |
| 1.8i 16v Club/Design | 1860 | 1300 (675) |
| 1.3CDTi 16v Life | 1870 | 1200 (675) |
| 1.3CDTi 16v Life (air-con.)/Club | 1895 | 1200 (675) |
| 1.7CDTi 16v Club/Design | 1935 | 1000 (675) |

Gross vehicle weight is the total permissible weight of the vehicle including passengers and their luggage. The **maximum roof rack loading** should not exceed a total of 75kg. The **maximum towing weights** are based on the ability of the car, with two occupants of 75kg each, to restart on a 12% gradient, which is approximately 1 in 8.3, at sea level. At altitudes above 1500 metres, the engine output may drop with a corresponding reduction in towing capability. Any extra weight, such as luggage or additional passengers, should be deducted from the maximum towing weight. With a trailer fully loaded, **maximum noseweight** should not exceed 55kg. Always fit Vauxhall towing attachments and accessories available from your Vauxhall retailer. They are designed specifically for Vauxhall models and carry a 12-month guarantee.



65.7mpg

1.3CDTi 16v engine provides exceptional economy



1300kg

Maximum towing weight



Vauxhall Assistance and warranties*

- A one-year unlimited mileage manufacturer's warranty
- Second and third year no-fee customer option warranty up to 60,000 miles (from first registration)
- Vauxhall Assistance for 12 months from first registration
- Six years' body panel anti-perforation warranty

* = Warranty is only available on vehicles sourced from General Motors UK Limited. Terms and conditions apply - please see your Vauxhall retailer for details.

Optional transmission

Five-speed Easytronic transmission:

Available at extra cost on 1.6i 16v and 1.8i 16v models. Easytronic transmission is a five-speed manual gearbox with a fully automatic mode. In manual mode, you simply push the lever forward or back to shift gears up or down sequentially. The fascia display tells you what gear you're in - 1 to 5, N for Neutral or A for Auto. Switch to fully automatic mode and it has many of the features of a regular automatic including a kickdown function. There's no clutch pedal so you can drive it on an automatic-only driving licence. Easytronic also comes with a winter mode, which selects second gear for standing starts in slippery conditions.

Steering

- Rack and pinion
- Speed-sensitive electric power-assisted steering standard on all models
- Turning circle (kerb-to-kerb): 10.42m (34.2ft)
- Turns lock-to-lock: 3.8 (2.9 on Design with Exterior Pack models)

Suspension

Front: Independent. MacPherson struts with coil springs and gas-pressure dampers. Anti-roll bar. Dynamic SAfety (DSA) suspension - this aids stability when braking on surfaces with differing levels of grip on either side of the vehicle by increasing front wheel toe-in at the wheel with greater grip.

Rear: Torsion tube with compound links. Progressive-rate double conical mini-block springs and gas-pressure dampers.

Brakes

- Anti-lock Braking System (ABS)
- Asbestos-free friction material
- Dual circuit, diagonally split, dual rate servo-assisted system
- Low brake fluid level warning light
- Plastic-coated brake pipes

1.4i 16v

Front ventilated discs: 260mm diameter
Rear discs: 240mm diameter

1.6i 16v/1.8i 16v

Front ventilated discs: 280mm diameter
Rear discs: 264mm diameter

1.3CDTi 16v/1.7CDTi 16v

Front ventilated discs: 280mm diameter
Rear discs: 264mm diameter

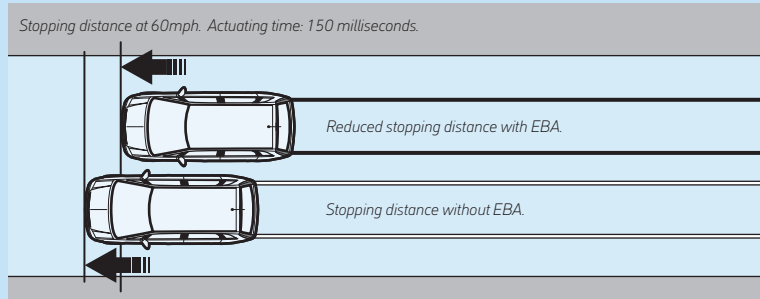
Body

- Aerodynamic drag co-efficient: Cd 0.31

Fuel tank capacity

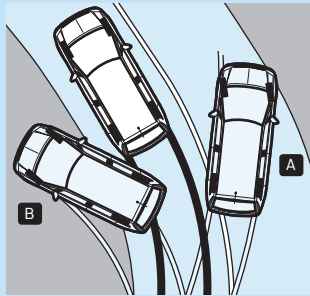
- 53 litres (11.7 gallons)

Features explained



D1. Emergency Brake Assist (EBA)

Emergency brake assist detects the urgency with which the brake pedal is pressed and rapidly increases the pressure to the maximum the system can provide, shortening stopping distances. It also enhances pedal feel.



D2. Electronic Stability Programme (ESP)

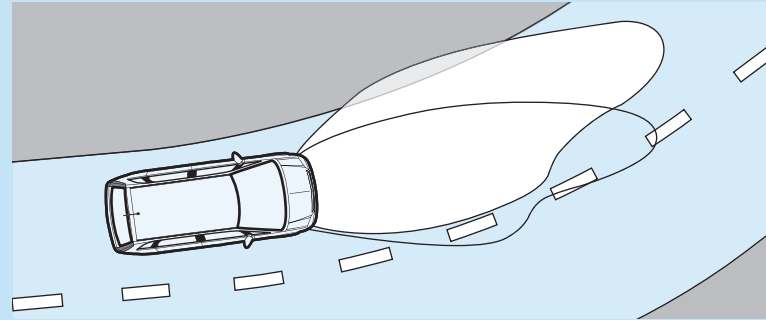
ESP helps the driver maintain full control of the vehicle during adverse or emergency conditions. ESP technology is designed to monitor both the front and rear of the car independently and compare their respective directions of travel with the driver's steering wheel input. If either the front **A** (understeer) or rear **B** (oversteer) of the vehicle begins to slide, ESP gently applies corrective braking to the appropriate individual road wheel, controlling the slide and maintaining safe progress.

A When a vehicle is understeering excessively, it displays an unwillingness to change direction as the outside front tyre has become overloaded and begun to slide. In this instance, ESP will apply a braking force to the inside rear wheel, slowing it down and increasing the vehicle's yaw angle to help the front wheels change direction.

B During the more unusual oversteering situation the vehicle's yaw angle is excessive due to the outside rear tyre having lost grip. Although countersteering is an effective solution, it is often difficult to judge how much opposite lock to apply, ESP, however, will apply the correct braking force to the outside front wheel, which will reduce the yaw angle and bring the vehicle back under control.

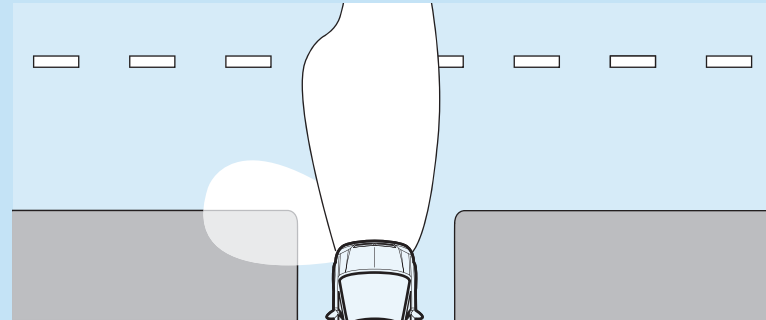
D3. Adaptive Forward Lighting (AFL) – halogen

Optional at extra cost on Club and Design, Adaptive Forward Lighting is a sophisticated lighting system that 'allows you to see around corners'! Meriva is one of the first cars in its class to offer such technology; *Autocar* magazine described it as a 'must-have' feature. There are two main functions:



Curve light

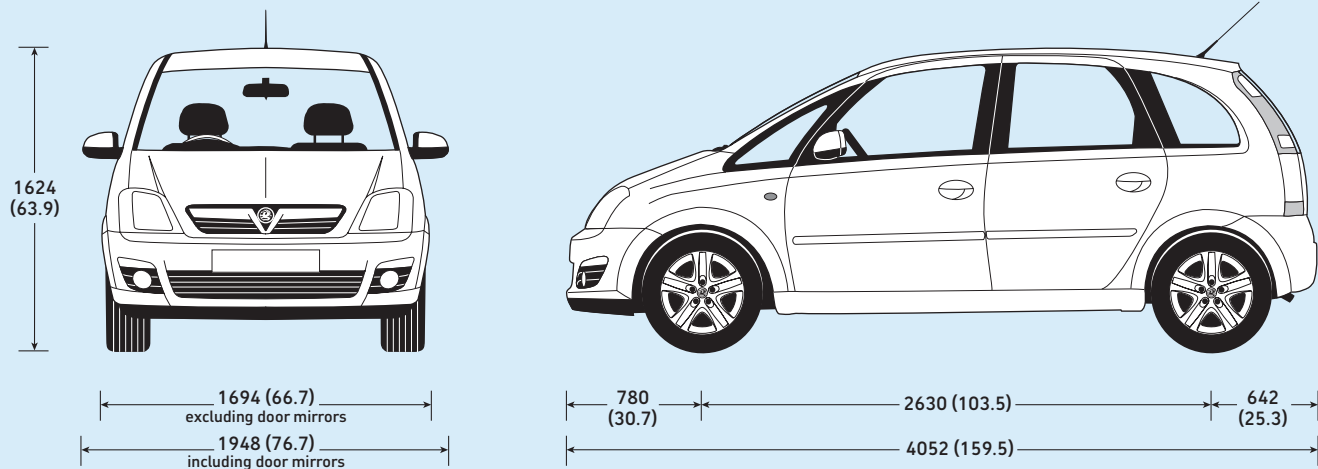
Speed-dependent, the system is activated by movements of the steering wheel and allows the headlight beam to move up to 15 degrees left or right of the straight ahead position. This ensures that the main headlight beams are always aimed in the direction you're about to go – and not necessarily the direction the front of the car is already pointing in!



Cornering light

Employs an additional bulb and reflector which projects a beam of light approximately 90° to the direction of travel. This 'wide angle' effect provides enhanced illumination of side roads and junctions. The system is speed dependent.

Exterior dimensions millimetres (inches)



Luggage capacities (VDA method)

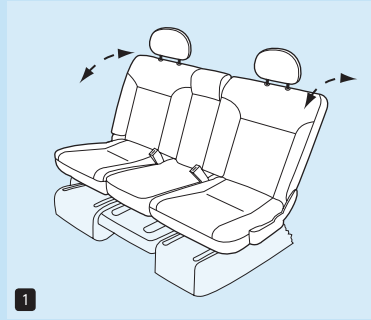
| | litres | cu.ft |
|---|--------|-------|
| Three rear seats configuration | | |
| To upper edge of rear seat back | 415 | 14.6 |
| Rear seats folded flat (to upper edge of front seat back) | 900 | 31.8 |
| Rear seats folded flat (to roof) | 1410 | 49.8 |

Loadspace dimensions

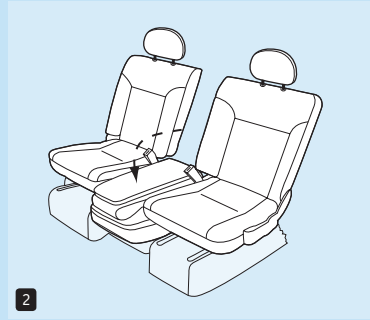
| | mm | inches |
|---------------------------------------|------|--------|
| Maximum load length behind front seat | 1568 | 61.7 |
| Maximum load area width | 1110 | 43.7 |
| Maximum load area height | 852 | 33.5 |
| Maximum tailgate aperture width | 1099 | 43.3 |
| Maximum tailgate aperture height | 832 | 32.8 |

Seating configurations

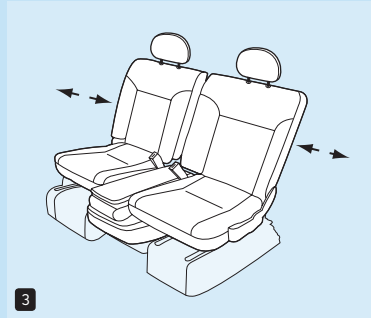
1 With all three rear seats in place the backrests of the outer seats can be reclined individually.



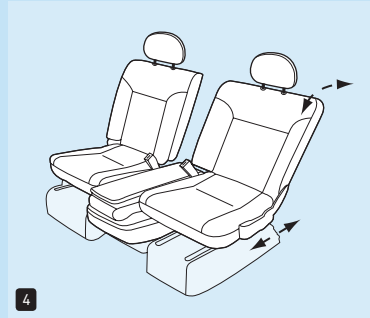
2 Fold the centre rear seat down, and the base cantilevers downwards below the level of the outer rear seats.



3 The seats can now be slid inwards, providing generous shoulder room for rear seat passengers.



4 Each rear seat can be individually slid backwards 70mm to provide extra legroom. And each backrest can be reclined a further six degrees (to 29 degrees) to give a truly relaxing travelling environment.



5 Each part of the 40/20/40 rear seat can be folded forward, giving a totally flat 1.5 metres long load area.



Trust Vauxhall

Protecting the environment

Vauxhall's commitment to the environment is demonstrated by our products' many environmental awards, won both through the use of more recycled materials and by becoming cleaner and more efficient. For information on Vauxhall's efforts to achieve an environmentally sustainable future, see www.vauxhall.co.uk/recycling

Fleet Customer Services

Our dedicated support services for fleet managers includes factory demonstrators, a three-day test drive programme and information on whole life costs, company car taxation and finance. For further information please call **0870 010 0651**.

Buying your car

GMAC offers one of the most comprehensive and competitive ranges of financing plans in the UK. Contact your local Vauxhall retailer for details or call the GMAC customer service centre on **0845 712 3444**.



When you have finished with this brochure please recycle it

The GM Card is issued by HFC Bank Limited and is available to persons aged 18 years or over and resident in the UK (or 21 and over in the Channel Islands) and is subject to status and conditions. Written quotations are available upon request from The GM Card, PO Box 3615, Birmingham B3 2RJ. The typical APR quoted is the rate for new customers. Rebate Points are earned on purchases using The GM Card. Rebate Points are not earned on Balance Transfers or Cash Advances. You earn money off a new Vauxhall/Saab by accumulating Rebate Points under the Rebate Points Programme. General Motors UK Limited is solely responsible for the operation of the Rebate Points Programme, which is subject to the Rebate Points Programme Rules. *You can redeem up to 2500 Rebate Points subject to the Model Line Maximum which will vary in amount in relation to different Vauxhall/Saab vehicle model lines and unlimited Partner Points. Rebate Points and unlimited Partner Points are redeemable as discounts on a new Vauxhall/Saab vehicle and must be redeemed four years from the issue date. Rebate Points may not be redeemed by Motability Contract Hire customers. The GM Card is a trading name and style of both HFC Bank Limited and General Motors UK Limited. HFC Bank registered in England. No. 1117305. Registered Office: North Street, Winkfield, Windsor, Berkshire SL4 4TD is authorised and regulated by the Financial Services Authority. **Member HSBC Group** HFC Bank Limited is not a member of the same group of companies as General Motors UK Limited, Saab GB Limited or GMAC UK plc. General Motors UK Limited, Registered Office: Griffin House, Osborne Road, Luton, Bedfordshire LU1 3YT. Registered in England number 135767. - CN6/0987.

Every effort has been made to ensure that the contents of this publication were accurate and up-to-date at the time of going to press (July 2009). Vauxhall vehicles are equipped with components manufactured by various General Motors operating units and outside suppliers. The Company reserves the right to alter specifications and withdraw products from sale without notice. Any such alterations will be notified to Vauxhall retailers at the earliest opportunity, please consult your local retailer for the latest information. The specifications detailed within this brochure are not necessarily applicable to alternative models such as Special Editions. Details of any such models will be contained in specific literature or found on the Vauxhall website. Please note that Vauxhall retailers are not the agents of General Motors UK Limited and are not authorised to bind the Company by any specific or implied undertaking or representation. It is advisable to ensure that your motor insurance policy provides adequate cover for additional fitted options and accessories. Please note accessories shown are for illustrative purposes only. As part of Vauxhall's policy of environmental care, this brochure is printed on paper manufactured using Elemental Chlorine Free pulps from specially farmed, sustainable timber resources. All rights reserved. No part of this publication may be reproduced in any form or by any means, without the prior written permission of General Motors UK Limited.

Vauxhall Extended Warranty

For complete peace of mind Vauxhall offers an extended warranty that can be purchased on an annual basis following the expiry of the original new car warranty. It covers most mechanical and electrical components. Terms and conditions apply, for further details please contact your local Vauxhall retailer.

Specialist Mobility advice

Motability accredited Vauxhall retailers can provide special mobility help and advice. Blue badge holders are entitled to very favourable discounts on new vehicles. Contact your local Motability accredited Vauxhall retailer or **Freefone 0800 731 5267**.

Servicing and maintenance

The best way to maximise the performance and reliability of your Vauxhall is to have all routine servicing and maintenance carried out at one of around 400 Vauxhall retailers. To find your nearest retailer call **0845 600 1500**.

In the event of an accident...

Vauxhall Accident Support helps keep you mobile following an accident. Benefits include scene-of-accident advice, message service, assistance with claims and vehicle recovery. For further details call **0800 010 304**.

Vauxhall Insurance

Available for new and used Vauxhalls, a Vauxhall Insurance policy offers a unique package designed specifically for Vauxhall drivers. For a highly competitive quotation, call **0844 84 85 840** (Great Britain) or **0845 35 13 410** (N. Ireland). Or just visit our website at www.vauxhall.co.uk

For more information...

For a brochure on any Vauxhall model (up to a maximum of three per caller) or location of your nearest Vauxhall retailer please **Lo-call 0845 600 1500**.

Alternatively, details can be found on our website at www.vauxhall.co.uk



- Save up to **£1500*** on a new Vauxhall with The GM Card
- **100 Rebate Points worth £100** when you use The GM Card for the first time
- Rebate Point saving is on top of any discount or offer negotiated with the Retailer
- Earn **3 Rebate Points (£3)** for every **£100** you spend

Typical 14.9% APR variable

To apply call **0845 746 2777** or visit www.gmcard.co.uk



VAUXHALL