

MOVANO Car Transporter – Recognised Conversion

European Whole Vehicle Type Approval e11*2007/46*0691*00



Based upon the R4500 HD L4 H1 Chassis Cab the “Translite” from TGS is both practical and versatile. Features such as the double ramps and continuous restraint system ensure vehicle loading is simple while the lightweight construction and 4500kg vehicle GVW means a usable payload of up to 1895kg.

Detail features include anti-slip material to the walkway and convenient ramp storage. A series of options are also available including a roof-mounted beacon bar, rear working lamps and Champion 9500 lb. (4309kg) power winch.



L4 H1 Chassis Cab featuring the Translite Car Transporter conversion.

Unique/key selling points

- › Full European Whole Vehicle Type Approval
- › Aluminium interlocking floor system
- › Full-length continuous restraint system
- › Lightweight aluminium loading ramps
- › Removable cab protection gantry

Vauxhall recognised conversions

These conversions have been tested to ensure they meet the technical standards required by General Motors UK Limited.

Movano Car Transporter
EC WVTA process is now complete.

Typical conversion features

- › Approximately 5300mm loading deck
- › Internally secured and stowed, 2300mm lightweight aluminium loading ramps
- › Lightweight bolted substructures and underframe
- › Laser profiled rear body supports
- › Non-slip aluminium loading deck
- › Aluminium rear lighting shroud incorporating rear light cluster and registration plates
- › Plastic mudguards fitted with rubber mud flaps
- › Full-length aluminium load restraint track with adjustable tie rings
- › LED side-marker lights and under-run protection compliant with the Road Vehicles (Construction and Use) Regulations

Conversion options (at extra cost)

- › 400mm roof-mounted rotating beacon bar
- › 9500 lb. (4309kg) winch kit including under-deck mounting frame
- › Removable low level cab protection gantry
- › Two load area LED work lights mounted to gantry
- › Nearside plastic toolbox
- › Tow bar with seven-pin electrics and 50mm ball hitch

Please note

Typical conversion examples shown. Conversions on other model variants are available please consult the converter. Full specification, option and colour availability details of the Movano range appear in the Movano brochure available from your Vauxhall retailer or Lo-call 0845 600 1500. Alternatively, details can be found on our website at www.vauxhall.co.uk/vans

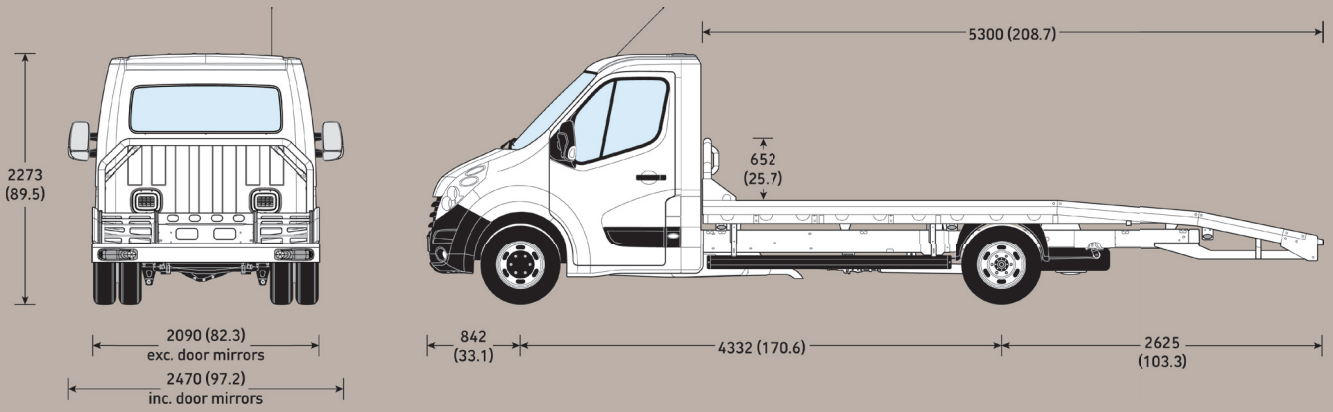


With over 25 years experience, the TGS Group is one of the leading suppliers of specialist van equipment and truck bodies in the UK. TGS provide an all encompassing service from design through to final production and constantly update their products to meet the ever changing standards and requirements of the industry.

Converter contact details:

For conversion pricing, option and warranty details contact:
Woodpecker House, Balaclava Road, Bristol BS16 3LJ
Email: sales@tgs-group.com Website: www.tgs-group.com Tel: 01179 659965

Dimensions mm (in.)



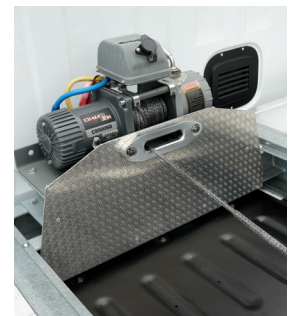
Lightweight aluminium loading ramps in stowed position.



Adjustable tie rings.



Isolator switch for improved safety.



Optional 9500 lb (4309kg) winch kit.

Weights* kg R4500 HD L4 H1 Chassis Cab TGS 'Translite'

Model	UK plated weights and kerbweights			Total	Kerb	Payload
	Plated axle	Front	Rear			
L4 H1 Chassis Cab (including winch)	1850	3200	4500	2530	1970	
L4 H1 Chassis Cab (excluding winch)	1850	3200	4500	2500	2000	

***Please note:** Typical examples shown above. **Kerbweights** include conversion body weight, coolant, oil, 90% full fuel tank and spare wheel. They will vary according to the vehicle specification (including options and accessories) with a corresponding variation in payload. **Payload** figures do not allow for the weight of the driver, or any passengers, which should therefore be deducted from the figures shown. **Gross plated weights** (including axle weights) quoted on the vehicle plated must never be exceeded. Body weights and payloads are not guaranteed and are subject to variation without prior notice.

Every effort has been made to ensure that the contents of this publication were accurate and up-to-date at the time of publication (February 2013). Vauxhall vehicles are equipped with components manufactured by various General Motors operating units and outside suppliers. The Company reserves the right to alter specifications and withdraw products from sale without notice. Any such alterations will be notified to Vauxhall retailers at the earliest opportunity, please consult your local retailer for the latest information. The specifications detailed within this brochure are not necessarily applicable to alternative models such as Special Editions. Details of any such models will be contained in specific literature or found on the Vauxhall website. Please note that Vauxhall retailers are not the agents of General Motors UK Limited and are not authorised to bind the Company by any specific or implied undertaking or representation. It is advisable to ensure that your motor insurance policy provides adequate cover for additional fitted options and accessories. Please note accessories shown are for illustrative purposes only. All rights reserved. No part of this publication may be reproduced in any form or by any means, without the prior written permission of General Motors UK Limited.

V1 ©2013 General Motors UK Limited Published February 2013 General Motors UK Limited, Luton LU1 3YT



COMMERCIAL VEHICLES
The Wheels of Business

VAUXHALL