

Movano Luton

2008 Edition 1





Vehicle illustrated features optional Ratcliff tail lift.

MOVANO LUTON

When serious load volume is the order of the day, look no further than the Movano Luton conversion. Based on the LWB 3500 chassis cab and powered by a choice of 100PS, 120PS or 146PS common rail turbo diesel engines, the Movano Luton features a lightweight aluminium body complete with aerodynamic Glass Reinforced Plastic (GRP) head, and offers up to 17.2 cu.m load volume*. Movano Luton is also eminently practical, with a maximum internal body floor length of 3575mm and a Ratcliff tail lift among its extensive options list. Like all Vauxhall Core Conversions, it carries the full Vauxhall three-year/100,000 mile warranty on both chassis cab and conversion.

* Approximate figure, excluding Luton head.

Standard feature highlights

- Driver's airbag and pyrotechnic body-lock seatbelt pretensioner
- Anti-lock Braking System (ABS) with Electronic Brakeforce Distribution (EBD)
- Emergency Brake Assist (EBA)
- Height-adjustable padded head restraints
- Dual passengers' bench seat
- Three inertia-reel lap and diagonal seatbelts
- Height-adjustable outer seatbelts
- Electronic engine deadlock immobiliser
- Stereo radio/CD player
- Remote control central locking (cab only)
- Front door side-impact protection beams
- Six-speed manual transmission
- Six-pin connector in battery compartment

Conversion feature highlights

- Flat, slip-resistant load floor with aluminium rear capping
- Softwood interior load area lashing rails and kickboards
- Interior light, with switch at rear of vehicle
- Aerodynamic, GRP Luton head
- Pre-painted aluminium side and front panelling
- Aluminium panelled roof with translucent section
- Anodised aluminium extruded rear frame with folding step (unavailable when tail lift option specified)
- Aluminium rear roller shutter, with bottom and side seals, pull-down strap, T-handle and key operated lock
- Subframe consisting of aluminium cross bearers and painted, galvanised body runners
- Front and rear high-level outline marker lights
- Side marker lights at chassis height
- Recessed grab handle set into the rear frame

Optional features (at extra cost)

- Electric Pack (electrically operated windows and electrically adjustable/heated door mirrors)
- Technical Pack (cruise control with speed limiter and trip computer)
- Passengers' twin airbag and pyrotechnic body-lock seatbelt pretensioners
- Remote control ultrasonic security alarm system (cab only)
- Air conditioning (cab only)
- Trip computer
- Digital tachograph*
- Speed limiter
- Stereo radio/cassette player (no-cost option)
- Stereo radio/CD player/satellite navigation with monochromatic display
- Vinyl seat trim (no-cost option)
- Single front passenger seat (no-cost option)
- Single fully adjustable 'comfort' front passenger seat with armrest
- Multi-function front passengers' bench seat
- Height-adjustable pneumatic rear suspension
- Two-coat metallic paint (cab only, Luton body only available in white)

Conversion options (at extra cost)

- Electrically operated alloy tail lift with key operated isolation switch (500kg loading)

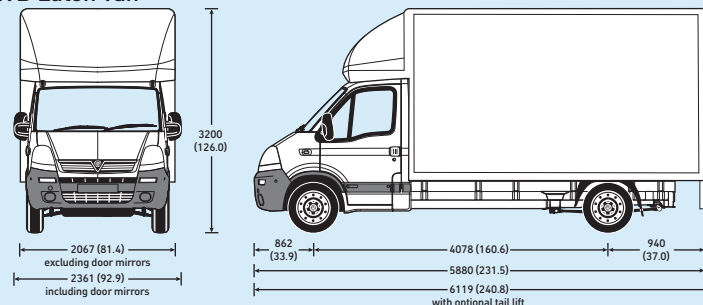
Tachograph legislation*

The digital tachograph option must be specified at time of ordering as it cannot be fitted retrospectively and does not include calibration which must be carried out at an approved tachograph centre within 14 days of the vehicles registration.

Please note: The legislation regarding the use of tachographs is complex and operators should seek independent advice or speak to the CV specialist within a Vauxhall Commercial Vehicle retailer to ensure compliance. Alternatively your local DVLA office will also be able to provide clarification of the relevant legislation.

Dimensions

LWB Luton Van



Measurements are shown in millimetres (inches). Height shown unladen.

Load area dimensions mm (inches)

	LWB
Maximum internal length	3575 (140.7)
Maximum internal width	2070 (81.5)
Maximum internal height – front	2315 (91.1)
Luton head maximum internal length	1010 (39.8)
Rear door aperture height	1970 (77.5)
Rear door aperture width	1905 (75.0)
Loading height (unladen)	864 (34.0)

Load area volume cu.m (cu.ft.)

	LWB
Body volume (estimated excl. Luton head)	17.2 (607.4)

Brakes

- Four-channel ABS with EBD and EBA
 - Low brake fluid level warning light
- Front ventilated disc brakes:** 305mm diameter.
- Rear disc brakes:** 305mm diameter.

Wheels and tyres

- 6J x 16 steel wheels with 225/65 R 16 tyres
- Full-size spare wheel

Electrics

Maintenance-free battery: 85Ah.
Alternator: 150A.

Fuel tank capacity

100 litres (22 gallons).

Suspension

Front: Independent double wishbones with coil springs and telescopic dampers. Anti-roll bar.

Rear: Tubular axle with variable-rate reinforced steel double-leaf springs and telescopic dampers. Anti-roll bar.

Transmission

- Front-wheel drive
- Six-speed manual gearbox

Insurance groups

16A T2 – all models

As recommended by the Association of British Insurers.

Vauxhall Assistance and warranties*

Every Movano base vehicle comes with:

- A one-year unlimited mileage manufacturer's warranty
- Second and third year no-fee customer option warranty up to 100,000 miles from date of first registration
- Vauxhall Assistance for 12 months from date of first registration
- Six-year body panel anti-perforation warranty

* Warranty is only available on vehicles sourced from Vauxhall Motors Ltd. Terms and conditions apply – please see your Vauxhall retailer for details

Full specification and colour availability details of the Movano range appear in the Movano brochure available from your Vauxhall retailer or Lo-call 0845 600 1500.



When you have finished with this brochure please recycle it

Every effort has been made to ensure that the contents of this publication were accurate and up-to-date at the time of going to press (March 2008). Vauxhall vehicles are equipped with components manufactured by various General Motors operating units and outside suppliers. The Company reserves the right to alter specifications and withdraw products from sale without notice. Any such alterations will be notified to Vauxhall retailers at the earliest opportunity; please consult your local retailer for the latest information. Please note that Vauxhall retailers are not the agents of Vauxhall Motors Limited and are not authorised to bind the Company by any specific or implied undertaking or representation. It is advisable to ensure that your motor insurance policy provides adequate cover for additional fitted options and accessories. As part of Vauxhall's policy of environmental care, this brochure is printed on paper manufactured using Elemental Chlorine Free pulps from specially farmed, sustainable timber resources. All rights reserved. No part of this publication may be reproduced in any form or by any means, without the prior written permission of Vauxhall Motors Limited.

VM0807773 Published March 2008 (BMB/Graymatter) Vauxhall Motors Limited, Luton LU1 3YT

Engines Euro 4 compliant

	2.5CDTI 16v (100PS)	2.5CDTI 16v (120PS)	2.5CDTI 16v (146PS)
Fuel type	Diesel	Diesel	Diesel
Capacity	2464cc	2464cc	2464cc
Maximum power	100PS (74kW) @ 3500rpm	120PS (88kW) @ 3500rpm	146PS (107kW) @ 3500rpm
Maximum torque	260Nm (192 lb.ft.) @ 1600rpm	300Nm (221 lb.ft.) @ 1600rpm	320Nm (236 lb.ft.) @ 1500rpm
Configuration	4 cylinders, 4 valves per cylinder, double overhead camshafts		
Fuel/induction system	Fixed geometry turbocharger and intercooler. Common rail fuel injection		Variable geometry turbocharger and intercooler. Common rail fuel injection
Service interval	18,000 miles or one year (whichever occurs sooner)		

Weights** kg

Model	UK plated weights and kerbweights				Total GVW	Total Kerb	Payload
	Front axle		Rear axle				
	Plated	Kerb	Plated	Kerb			
LWB							
3500 2.5CDTI 16v (100PS/120PS)	1850	1311	2060	831	3500	2142	1358
3500 2.5CDTI 16v (146PS)	1850	1327	2060	829	3500	2156	1344
LWB with optional tail lift							
3500 2.5CDTI 16v (100PS/120PS)	1850	1274	2060	1018	3500	2292	1208
3500 2.5CDTI 16v (146PS)	1850	1290	2060	1016	3500	2306	1194

** Please note: Typical examples shown above. **Kerbweights** include conversion body weight and optional tail lift where specified, coolant, oil, 90% full fuel tank and spare wheel. They will vary according to the vehicle specification (including options and accessories) with a corresponding variation in payload. **Payload** figures do not allow for the weight of the driver, or any passengers, which should therefore be deducted from the figures shown. **Gross plated weights** (including axle weights) quoted on the vehicle plate must never be exceeded.



The Wheels of Business