

# New Meriva

2010 Models Edition 1



New Meriva

Embrace Life.



Introduction	04	Engines and transmissions	20	Model line-up	34
Interior style	08	Safety	22	Wheels, tyres and VXR Styling	40
Flexibility	12	FlexDoors®	24	Accessories	42
Versatility	14	FlexSpace®	26	Colours and trims	44
Exterior style	16	Comfort and convenience	28	Equipment	48
Environment	18	Infotainment	32	Technical data	54

This brochure covers New Meriva Expression, S, Exclusiv and SE models only. Some of the models shown include options and accessories available at extra cost. And not all of the features described are available on every model. So please check in the Equipment section for further details. From time to time, we may also offer alternative New Meriva models such as Special Editions, featured in their own separate literature or found on the Vauxhall website: [www.vauxhall.co.uk](http://www.vauxhall.co.uk)

## Embrace New Meriva.

Say hello to New Meriva. Our stylish new family car, with clever new doors and flexible seating, smart storage and rear seat access like you've never experienced before.









## Enjoy the journey.

New Meriva may be perfect for family life. But it's also great to drive, with reassuring balance, strong safety features and lively, efficient new multi-valve turbocharged petrol and diesel engines.

The image shows the front interior of a car. The dashboard and upper door panels are a light blue color. The seats are black leather with a light blue quilted pattern on the seat cushions. The center console has a gear shifter and handbrake. The steering wheel is partially visible on the left. The car is parked on a cobblestone street, and the side mirror shows a view of a road and trees.

## Feel the difference.

Whatever's happening all around you, New Meriva helps you focus on the road ahead. Smart ergonomics put the instruments, controls and displays in all the right places. And hugely adjustable seats make it easy to find the perfect driving position.






The image shows the front interior of a car. The dashboard is a light blue color and features a navigation screen on the left side. The center console has a gear shifter and handbrake. The steering wheel is black. The car is parked on a paved surface with a brick wall and greenery in the background.

## Your comfort zone.

New Meriva has more interior flexibility and comfort than ever before – and more intelligent features too. There's high quality materials, a real contemporary feel and generous light and space.



The image shows the interior of a car, specifically the rear passenger area. A light blue quilted seat is visible, along with a dark grey door panel and a seatbelt. The text is overlaid on the lower left side of the image.

## Think spontaneous.

With outer rear seats that move forwards, backwards – even diagonally – and a 40/20/40 split-folding rear seat back, New Meriva welcomes everyone with space for up to five people plus luggage or bulky items. Family life solved – even when plans change.





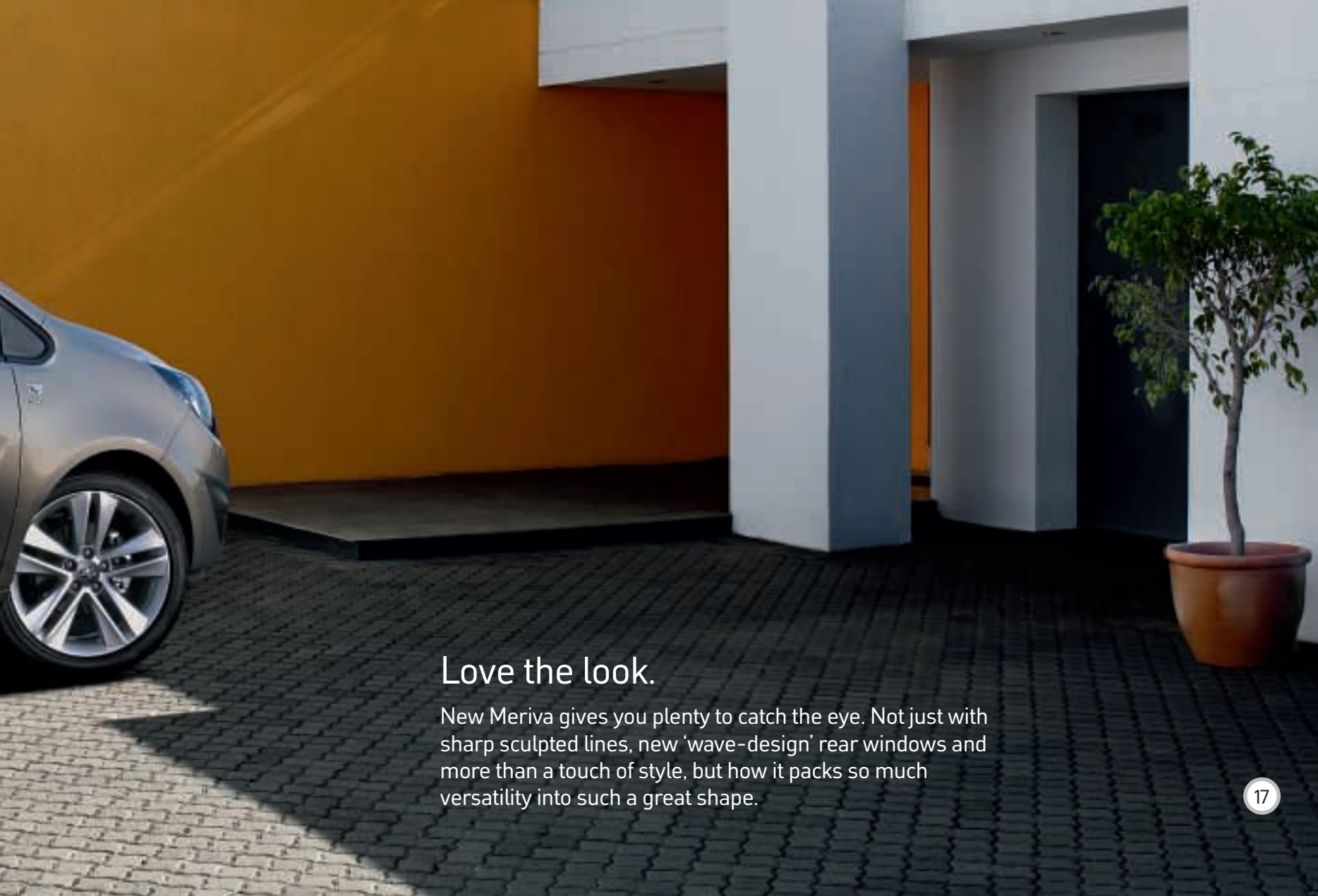
## Organise your life.

New Meriva is packed with places to keep your belongings with up to 32 practical storage solutions. FlexRail® is our even smarter new centre console system. Think modular. Think sliding drinks holder or phone tray. Think centre armrest with really useful storage for front seat passengers. Now rearrange it and think again.










## Love the look.

New Meriva gives you plenty to catch the eye. Not just with sharp sculpted lines, new 'wave-design' rear windows and more than a touch of style, but how it packs so much versatility into such a great shape.





## Protect our future.

Embracing life means taking responsibility for it too. That's why Vauxhall has always been at the forefront of green automotive initiatives. Most recently, we have been looking at ways to further reduce vehicle CO<sub>2</sub> emissions and developing new cars that are more efficient than ever before. The forthcoming Vauxhall Ampera is an electric hybrid car that can drive almost 40 miles on battery power alone and over 300 miles utilising an on-board generator.

But our commitment to preserving the environment goes even further. We have dramatically reduced manufacturing emissions, for example, and our new vehicles use more recycled materials and more recyclable parts than ever before.

We also offer free and easily accessible, environmentally friendly, end-of-life vehicle disposal through our partners Autogreen Ltd.

That way, we reduce our environmental impact in every phase of every Vauxhall vehicle's life cycle. We all share the same world. Let's embrace it.

**Power and efficiency.** Leaner, greener and great to drive, the New Meriva engine line-up delivers brilliant performance with high levels of efficiency and Euro 5 compliant emissions. And what an exciting new choice! Three 1.4 litre petrol engines and two diesels – all with an excellent blend of power and economy.

**Low-emission petrol engines.**

All New Meriva petrol engines feature advanced induction with Variable Valve Timing (VVT) technology for high fuel economy and performance. A 100PS engine is ranged alongside two turbocharged versions – one at 120PS and another at 140PS. The latter unit cleverly combines the turbo with longer gear ratios to reduce fuel consumption and emissions without loss of driving enjoyment.

**High-tech diesels.**

New Meriva's two diesel engines are also turbocharged (fixed geometry for the 75PS 1.3CDTi, variable for the 100PS 1.7CDTi), adding multi-injection, common rail diesel technology, which cuts emissions, reduces noise and lowers fuel consumption. Strict emissions control is further achieved through the use of a Diesel Particulate Filter (DPF), electronically controlled Exhaust Gas Recirculation (EGR) and, on the 1.7CDTi, a fully controllable swirl system which promotes lower emissions through more precise combustion control.

With CO<sub>2</sub> emissions of just 129g/km, the super frugal 1.3CDTi puts these latest technologies to work with good effect, keeping emissions especially low with outstanding economy and excellent performance characteristics.

**Three transmissions.**

While an easy-shifting five-speed manual gearbox is standard on the 1.3CDTi diesel and two New Meriva petrol engines, a six-speed version is standard on the 1.4i 16v VVT Turbo (140PS). The 1.7CDTi 16v diesel comes with our newly calibrated, six-speed fully automatic transmission, which adapts to your driving style and habits, and even the prevailing road conditions. With its innovative ActiveSelect® feature, it also allows sequential driver gear selection via the shift lever.





### Integrated safety systems.

New Meriva has a rigid central safety cell, designed for maximum protection, plus availability of the latest passenger restraint technology – airbags, seatbelt systems and active-safety front seat head restraints. The chassis is also packed with active-safety features, specially enhanced to help you keep control in all driving situations.



**Child safety.** All New Meriva models feature pre-fitted ISOFIX mountings on the outer rear seats. When used in conjunction with the accessory Vauxhall Duo ISOFIX child seat, the system ensures a fixed anchorage for the child seat. The ISOFIX attachment also features Vauxhall's Top Tether

restraining strap system for greater security under extreme braking. Vauxhall's two other child seats – the rear-facing Baby Safe and the KID (illustrated right) – cater from birth to 12 years. All Vauxhall child seats (including the Duo ISOFIX) can be fixed using the standard lap and diagonal seatbelts. New Meriva's wide-opening FlexDoors® offer easier access to the rear seat, so it's even simpler to secure a child safely into a child seat. With front and rear doors open, New Meriva also creates a partially enclosed area at the side of the car. Effectively a parent- and child-friendly zone that makes it easier to control children as they step in or out of the car.



### Adaptive Forward Lighting (AFL).

New Meriva can be specified with an optional halogen lighting system, featuring dynamic curve light and static cornering light. The result? Better visibility and enhanced safety too. For more technical information please turn to page 57.



**Active-safety front seat head restraints.** New Meriva's active front seat head restraints move up and forward under a rear impact to minimise the risk of whiplash injury and guard against other head and upper body injuries. Standard on Exclusiv and SE models, optional as part of the Protection Pack on Expression and S.



**Airbags.** New Meriva is equipped with front and side-impact airbags for driver and front passenger (front only on Expression models). The front passenger airbag can be deactivated for child seat use. Curtain airbags are also standard on Exclusiv and SE models.

*Vehicle illustrated features accessory Vauxhall KID child seat, available at extra cost.*



**FlexDoors®.** New Meriva is packed with innovative thinking aimed at making life easier, more comfortable and more convenient, but our new rear-hinged FlexDoors® tear up the family car rulebook to bring real benefits in so many areas.

**Easy access.**

FlexDoors® open independently of the front doors, and far wider than normal, so it's much easier to get in and out of the car, wherever you sit.

**Parent-friendly.**

Wider access makes it easier to lift young children in and out of the car and secure them safely into a child seat. And if you open both front and rear doors, it creates a parent-friendly zone where it's easier to control children as they step in and out of the car.

**Easier on your back.**

FlexDoors® are far kinder on your back too. Research by the Department of Industrial Design at Coventry University looked at the effects of lifting even just a 5kg object (a small baby, for example) in and out of New Meriva's rear seats. Compared with the previous model, the FlexDoors® help reduce back muscle loads by up to 58% and leaning and twisting angles by up to 48%. Back strain was reduced even just getting in and out of the car.

No wonder New Meriva has been awarded a Certificate of Excellence by the highly respected German AGR (Campaign for Healthier Backs) panel of doctors and ergonomic experts – the first time they've certified a complete vehicle's ergonomic concept, rather than individual components.

**Safe and secure.**

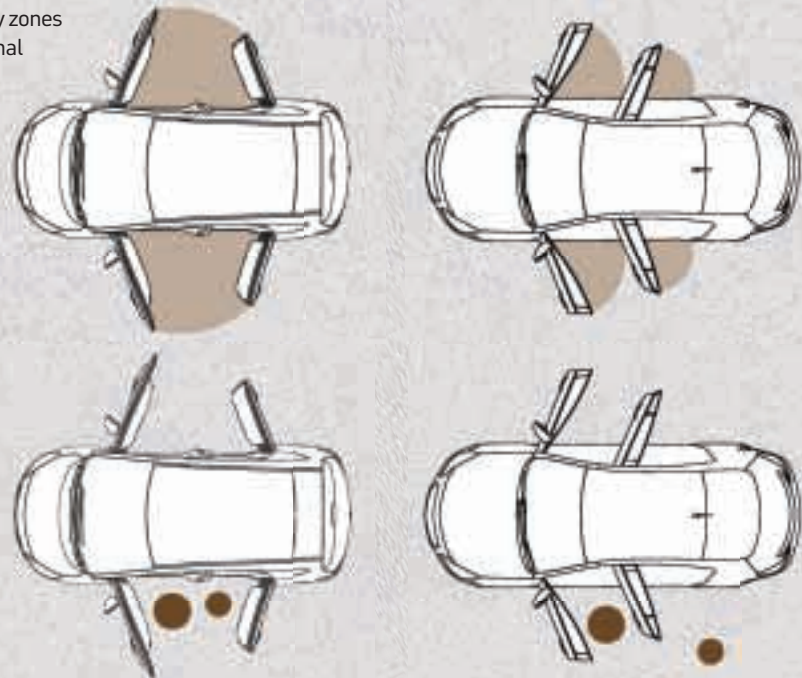
While mechanically activated rear child locks are standard, the whole FlexDoors® system is protected by a range of electronic safety systems – the rear doors are locked electronically at speeds above 2mph, for example. A green LED light in the rear door handle signals when the door can be opened from the inside. Key electrical safety components are 'doubled up' – aircraft-style – and monitored constantly. And if the doors are not closed properly, the driver is warned both audibly and visually on the instrument panel.



Comparison of FlexDoors® access areas and safety zones with conventional door system.

**New Meriva**

**Conventional Doors**



- Parent
- Child





**FlexDoors®.** Not just clever, but altogether safer and ergonomically efficient, New Meriva's rear doors open the other way. So it's easier for everyone to get in and out - with improved roadside safety. And simpler to ensure the kids are seated safe and secure.



**FlexSpace®.** How many seats do you need today? Five? Four? Three? Just two? In New Meriva, the choice is yours. The outer rear seats can be individually moved backwards, forwards and diagonally inwards or all three can be folded flat for more luggage space. So you get superb levels of versatility – without ever having to remove a seat.



**FlexSpace®.** It's all about finding simple ways to accommodate every family transport need, however unexpected. New Meriva is a comfortable five-seater, with ample leg and shoulder room for three rear seat passengers – each with a lap and diagonal seatbelt. It's also a generous four-seater with extra leg and shoulder room, a versatile three-seater and a two-seater with acres of luggage space.



#### **Five seats.**

In five-seat mode, the outer rear seats move forward individually by up to 140mm. This not only creates extra luggage space but also ensures that it's easier to reach over to the kids in the rear seats. On SE models it even brings rear seat passengers closer to the folding trays – yet another child-friendly feature.

#### **Four seats.**

It's easy to convert New Meriva from five seats to four. With the middle seat back folded, the outer rear seats can be moved diagonally – back and inwards in one automatic sliding action – creating extra leg and shoulder room for maximum comfort.

#### **Three seats or two.**

New Meriva offers generous luggage space – as much as 1496 litres maximum, and 397 litres even in the five-seater configuration. But as you would expect, it's the flexibility that really counts. With its 40/20/40 split-folding rear seat, you can fold either side flat for people and luggage in various combinations. Or fold just the centre seat flat creating a practical load-through space for longer items.

Best of all, New Meriva's rear seats can now be released and folded flat with a single, one-touch operation – from the rear seat or luggage area – so you can switch effortlessly from three to two to one in seconds, without removing any seats from the car.







**Comfort class.** Look inside. And out! New Meriva is designed to keep you comfortable, however long the journey ahead. And the large windscreen, 'wave-design' rear window line and huge panoramic glass roof\* all ensure a great view for both front and rear seat passengers.

*\*Standard on SE models.*



**Ergonomic sports seat.**

Are you sitting comfortably? If not, your driving could be as badly affected as your posture.

New Meriva's fully orthopaedic sports front seats (optional) can be adjusted eight ways for the driver and six ways for the front passenger. Both have four-way electro-pneumatic lumbar support.

- ❶ Four-way active-safety front seat head restraints
- ❷ Four-way adjustable lumbar support
- ❸ Seat recline adjustment
- ❹ Seat height adjuster
- ❺ Cushion tilt control
- ❻ Extendable seat cushion

**Panoramic glass roof.**

Stretching over both rows of seats, this full-width glass roof – standard on SE models – makes the whole car feel even more light and airy. An electrically operated sunshade helps protect you if the sun gets a little too hot.



**Electronic Climate Control (ECC).** This optional dual-zone system incorporates air conditioning with a particle filter and automatic air recirculation.



**Electric parking brake.** The electric parking brake not only saves space, it also releases automatically when you drive off, making hill starts much easier.



**Heated leather-covered steering wheel.** Part of the optional Winter Pack along with heated front seats. Perfect for those chilly winter mornings.



**Flex Floor.** Our two-position, adjustable luggage compartment floor is standard on all models. When lowered, it maximises rear load height and volume. In the upper position, it's flush with the folded rear seats and the rear sill, providing a flat loadspace area with easy loading – plus a useful 86 litres of loadspace under the Flex Floor.



**Up to 32 storage possibilities.** All of them accessible, flexible and usefully-sized storage spaces. A generous glovebox, roomy door pockets (front and rear) and a driver's side sunglasses holder are just some of the headline storage features fitted as standard. Seat back tables and front underseat storage are two further features available on SE models.



**Flex-Fix®.** This fully integrated optional rear carrier system, capable of safely transporting two bicycles (illustrated right), disappears into the rear bumper when not in use. Always there when you need it. Out of sight when you don't. Please see page 58 for more technical information.



**FlexRail®.** The FlexRail® system provides highly versatile, modular, multi-level storage and occupies the deep space between the two front seats. Within the base centre console there are two fixed cup holders, storage tray spaces for mobile phones, MP3 players etc, the auxiliary-in stereo input and a 12-volt power outlet. Exclusiv models feature the FlexRail® system's aluminium rails, reaching from the front centre console back to the rear footwell, plus a practical sliding tray/cup holder. SE models add a front sliding centre storage module with armrest and lid. It could not be simpler. Or more useful.



Comfort and convenience





**Stay informed, entertained, and in touch.** New Meriva comes with quality audio equipment – not just great radio and CD sound, but simple controls and easy connectivity to your MP3 player or iPod™. You can also upgrade with optional features like satellite navigation and DAB radio.

**CD player with MP3 format/stereo radio (CD 300).** Standard on Expression, this system features a CD player with MP3 format, auxiliary-in socket, 18 station presets, triple information display and four 20-watt speakers.

**CD player with MP3 format/stereo radio (CD 400).** This fully featured single-disc CD player with MP3 format is standard on all models except Expression. Features include stereo radio with 36 station presets, auxiliary-in socket, remote graphic display, RDS with Traffic Programme and seven speakers.

**Mobile phone systems.** With New Meriva, you can select from two optional (at extra cost) hands-free systems – both using wireless Bluetooth® technology. Both systems allow you to operate your phone's key functions from the steering wheel, the audio unit or via voice control (when enabled on the mobile phone).

**Satellite navigation/CD player with MP3 format/stereo radio (CD 500).**

Optional at extra cost on Exclusiv and SE models, the CD 500 features satellite navigation with a seven-inch colour monitor and fast access to the maps and other information via a 1GB internal flash memory. You simply copy the data across from the navigation map CD, which is then removed to leave the CD slot free. The system includes all the functions of the CD 400 but with the addition of a USB connection and allows dynamic route guidance via RDS/TMC with automatic updates and re-routing information. Both Bluetooth® mobile phone and Digital Audio Broadcast (DAB) are also available at extra cost.



**Auxiliary-in and USB.** Mounted on the centre console, the auxiliary-in facility lets you connect your MP3 player (most systems are compatible) to the car's audio system. The USB connection (fitted in conjunction with the optional CD 500) allows you to view iPod™ and memory stick functionality via the audio display.



It's your way of life.  
It's your choice.

New Meriva is available  
in four different models.  
Each with its own character.

## Expression and S

Standard features include:

- FlexDoors®
- Electronic Stability Programme-plus
- Anti-lock Braking System
- FlexSpace® flexible rear seats
- Flex Floor
- Twin front airbags
- ISOFIX child seat restraint system for outer rear seats (does not include child seat)
- Steering column adjustable for reach and rake
- Driver's seat height adjuster
- Electric parking brake
- CD player with MP3 format/stereo radio (CD 300)
- Auxiliary-in socket
- Electrically operated front windows
- Electrically adjustable/heated door mirrors
- Remote control central deadlocking
- Door-to-door illumination
- Partial body-colour door mirror housings

In addition, S models include:

- CD player with MP3 format/stereo radio (CD 400)
- Front seat side-impact airbags
- Graphic information display

### Engine availability

### Insurance groups (ABI)

Expression

1.4i 16v VVT (100PS)	9E
----------------------	----

S

1.4i 16v VVT (100PS)	8E
----------------------	----

1.4i 16v VVT Turbo (120PS)	11E
----------------------------	-----

1.3CDTi 16v	6E
-------------	----

1.7CDTi 16v automatic	11E
-----------------------	-----

Please note: Insurance groups relate to the 50 group rating.

S model illustrated.





*Main interior illustrated features Skyline cloth in Black. Incidental interior features Skyline cloth in Red, optional at no extra cost.*



### Exclusiv

Additional features over and above S models:

- FlexRail® centre console system featuring aluminium rails and sliding tray/cup holder
- Full-size curtain airbags
- Active-safety front seat head restraints
- Air conditioning
- Cruise control
- Steering wheel mounted audio controls
- Ambient lighting in centre console
- Pockets on front seat backs
- 12-volt electrical accessory socket in rear centre console
- Rear courtesy lights
- Seatbelt unfastened warning light for rear seats



### Engine availability

### Insurance groups (ABI)

1.4i 16v VVT (100PS)	9E
1.4i 16v VVT Turbo (120PS)	14E
1.4i 16v VVT Turbo (140PS)	14E
1.3CDTi 16v	6E
1.7CDTi 16v automatic	12E

*Please note: Insurance groups relate to the 50 group rating.*



*Main interior illustrated features Astor cloth/Morrocana in Black. Incidental interior features Astor cloth/Morrocana in Cocoa, optional at no extra cost.*



## SE

Additional features over and above Exclusiv models:

- Panoramic glass roof with electrically operated sunshade
- 16-inch alloy wheels (emergency tyre inflation kit in lieu of spare wheel)
- Front fog lights
- Dark-tinted glass (excludes windscreen and front door windows)
- Multi-function trip computer
- Electrically operated rear windows
- Leather-covered steering wheel
- Leather-covered gear knob (manual models only)
- Front sliding centre storage module with armrest and lid
- Aviation-style folding trays on front seat backs
- Driver's underseat storage box
- Front passenger's underseat storage tray
- Front and rear door sill step plates
- Full body-colour door mirrors



### Engine availability

1.4i 16v VVT (100PS)	9E
1.4i 16v VVT Turbo (120PS)	14E
1.4i 16v VVT Turbo (140PS)	14E
1.7CDTi 16v automatic	12E

### Insurance groups (ABI)

*Please note: Insurance groups relate to the 50 group rating.*

*Model illustrated features CD 500 satellite navigation system, optional at extra cost.*

## Standard wheels:

### Expression



15-inch steel wheels with flush covers and 195/65 R 15 low profile tyres.

### S\*



15-inch steel wheels with flush covers and 195/65 R 15 low profile tyres.

### Exclusiv



16-inch steel wheels with flush covers and 205/55 R 16 ultra-low profile tyres.

### SE



16-inch alloy wheels with 205/55 R 16 ultra-low profile tyres.

**Please note:** An emergency tyre inflation kit is standard on all models in lieu of a spare wheel. A 16-inch steel space-saver spare wheel/tyre is available at extra cost. This deletes the 86-litre loadspace under the Flex Floor.

\*1.7CDTi 16v models feature 16-inch steel wheels with flush covers and 205/55 R 16 ultra-low profile tyres.

## Optional wheels (at extra cost).

### Exclusiv



17-inch alloy wheels with 225/45 R 17 ultra-low profile tyres.

### SE



17-inch alloy wheels with 225/45 R 17 ultra-low profile tyres.

### SE



18-inch alloy wheels with 225/40 R 18 ultra-low profile tyres.



Inspired by our racing heritage, Vauxhall VXR styling products come with all the same experience, knowledge, and passion for style and performance. They put the accent firmly on quality and exclusivity, with a winning edge. And they add flair, personality and excitement to every New Meriva model. VXR styling products are available as factory-fit option packs or accessories fitted by your Vauxhall retailer.

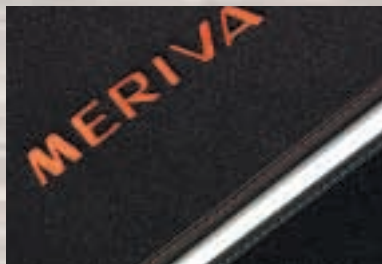
**VXR Styling Pack.** The VXR Styling Pack includes a body-colour front lower spoiler, side sills, rear lower skirt and rear roof spoiler. They can be fitted to your New Meriva all together as a factory-fit option pack, or separately at your Vauxhall retailer.

- Front lower spoiler
- Side sills
- Rear lower skirt
- Rear roof spoiler



*Model illustrated features VXR Styling Pack, 18-inch alloy wheels, Adaptive Forward Lighting (AFL) and two-coat metallic paint, optional at extra cost.*

**The choice is yours.** Create a New Meriva model that's even more in tune with your family's needs. Whether you need to carry a bike or simply protect your carpets from muddy shoes, Vauxhall accessories are always the right choice. We've only featured a small selection here, so please check with your Vauxhall retailer for New Meriva availability information or check out our website at [www.vauxhall-accessories.com](http://www.vauxhall-accessories.com)



**Floor mats.** Economy, rubber and velour floor mats (illustrated) are available for the New Meriva. All three styles sport a Meriva logo and have unique fixing points which help keep them firmly in place.



**Child seats.** The rear-facing Baby-Safe (right – up to 13kg) and KID (centre – 15–36kg) seats are fixed with a standard lap and diagonal seatbelt. The DUO ISOFIX (9-18kg – left) can also be attached using the ISOFIX child seat restraint fittings (complete with Top Tether), standard on the outer rear seats of New Meriva models.



**Semi-rigid cargo liner.** Protect the load area with this semi-rigid moulded plastic liner. Designed with lipped sides for a snug fit, it provides maximum protection, yet is easily removed for cleaning.

#### **FURTHER ACCESSORIES INCLUDE:**

##### **Interior**

- FlexRail® console accessories
- Bluetooth® hands-free kit
- Smoker Pack
- Door sill covers

##### **Exterior**

- Mudflaps (front and rear)
- Alloy wheels
- VXR styling accessories
- Locking wheel bolts
- Side protection mouldings

##### **Load carriers**

- Thule roof boxes
- Thule ski carriers

##### **Towing**

- Fixed or detachable tow bars

##### **Safety**

- First aid kit
- Warning triangle
- Hi-visibility vest
- Temporary tyre inflation kit
- Fire extinguisher (1kg)
- Safety Pack



**Rear parking distance sensors.** Activated automatically as you select reverse, this clever system beeps faster the closer you get to an obstruction, rising to a continuous tone at 300mm away



**Privacy shades.** Available for the rear side windows and tailgate glass, they provide shade from the sun when required, yet still allow the window to be lowered with the shades in place.



**Thule 'Free Ride' bike carrier.** Used in conjunction with the Vauxhall base carrier this system allows you to transport a bike on the roof. Supplied with quick release straps and a lock for security.



*Vehicle illustrated features accessory base carrier, Thule Ranger 90 soft roof box, body-colour side protection mouldings and 18-inch six V-spoke bi-colour alloy wheels, all available at extra cost. In addition, Flex-Fix® integrated carrier system and two-coat metallic paint are optional at extra cost.*



We've carefully chosen eight modern exterior colours for New Meriva. Now it's your turn to choose one!



**Glacier White – Solid**

Available on all models.



**Technical Grey – Metallic\***

Available on S/Exclusiv/SE.



**Oriental Blue – Pearlescent\***

Available on S/Exclusiv/SE.



**Flame Red – Solid**

Available on all models.



**Star Silver – Metallic\***

Available on S/Exclusiv/SE.



**Silver Lake – Metallic\***

Available on S/Exclusiv/SE.



**Pepperdust – Metallic\***

Available on S/Exclusiv/SE.



**Black Sapphire – Pearlescent\***

Available on S/Exclusiv/SE.

*\*Optional at extra cost.*

*Due to the limitations of the printing process the colours reproduced may vary slightly from the actual paint colour. As a result, they should be used as a guide only. Your Vauxhall retailer has a comprehensive display of our paint samples. Vehicle illustrated is a non-specific model.*



New Meriva's interior trims, available in comfortable, durable fabric or leather, have been carefully selected for their premium feel and appearance. They complement our exterior paint finishes, the textures, style and colour of the facia, door panels and other interior detailing, as well as reflecting the individual status of each trim level.



**Pepe cloth – Black**  
Standard on Expression/S models.



**Skyline cloth – Black**  
Standard on Exclusiv models.



**Skyline cloth – Orange\***  
Optional at no cost on Exclusiv models.

*\*Not available on Flame Red, Silver Lake and Oriental Blue.*



**Skyline cloth – Red\*\***  
Optional at no cost on Exclusiv models.

*\*\*Not available on Technical Grey, Silver Lake, Pepperdust and Oriental Blue.*



**Astor cloth/Morrocana – Black**  
Standard on SE models.



**Astor cloth/Morrocana – Cocoa<sup>†</sup>**  
Optional at no cost on SE models.

*†Not available on Flame Red, Technical Grey, Oriental Blue and Black Sapphire.*



**Astor Leather – Black**  
Optional at extra cost on SE models.



**Top Tec.** The Top Tec coating, standard on the SE Cocoa cloth trim, helps resist spilt fluids, grime and stains for a noticeably fresher, cleaner interior.

*Due to the limitations of the printing process the colours reproduced may vary slightly from the actual trim material. As a result they should be used as a guide only. Your Vauxhall retailer has a comprehensive display of our trim swatches.*

## Contents

### Equipment

Safety Security Heating and ventilation	48
Facia, instruments and controls Seating and upholstery	49
Additional interior features Mechanical	50
Exterior protection and styling Exterior and convenience features	51
Option packs Audio, navigation and communication	52
<b>Technical data</b>	
Engines	54
Performance, fuel economy and emissions Weights and towing data	55
Vauxhall Assistance and warranties, steering, suspension, brakes, transmission, body, fuel tank capacity	56
Features explained	57
Exterior dimensions Luggage capacities Loadspace dimensions Flex-Fix® key dimensions	58
Seating configurations	59

## Safety

- Standard features** • Driver's airbag • Front passenger's airbag • Deactivation facility for front passenger's front airbag • Pedal release system – Reduces potential injury to the driver's legs and feet during a severe frontal impact • Laminated windscreen • Burst-proof door locks and anti-jam door design • Reinforced passenger safety cell • Side-impact protection beams
- ISOFIX child seat restraint system for outer rear seats incorporating top tether (does not include child seat) – Secures specially designed ISOFIX child safety seats to the vehicle itself, virtually eliminating the dangers that can result from improper installation • Child-proof locks on rear doors
- Electronic Stability Programme-plus (ESP-plus) incorporating traction control – See **D1** on page 57 • Anti-lock Braking System (ABS) with Electronic Brakeforce Distribution • Emergency Brake Assist – See **D2** on page 57 • Cornering Brake Control • Straight Line Stability control • Adaptive brake lights • Electric parking brake
- Height-adjustable front seat head restraints • Height-adjustable front seatbelts • Pyrotechnic front body-lock diagonal seatbelt pretensioner system – Tightens the seatbelt during the early stages of a frontal impact • Driver's and front passenger's lap belt pretensioner system • Front seatbelt force limiters – Reduce potential upper body injuries during a frontal impact • Three inertia-reel lap and diagonal rear seatbelts • Height-adjustable outer rear seat head restraints • Anti-submarining ramps in front seats – Help prevent occupants sliding underneath the lap belt during a collision • Reinforced rear seat back – Helps prevent heavy items entering the passenger compartment

### Additional features

	Exp.	S	Exclusiv	SE
Front seat side-impact airbags	□	●	●	●
Full-size curtain airbags	□	□	●	●
Active-safety front seat head restraints (height-adjustable)	□	□	●	●
Height-adjustable centre rear seat head restraint	○	○	○	○
Hill Start Assist incorporating tyre pressure monitoring system (manual models only)			○	○

## Security

- Standard features** • Remote control two-stage central locking (doors, tailgate and fuel flap) with security deadlocks • Electronic theft protection system for audio equipment and remote display • Electronic engine deadlock immobiliser • Central locking switch in centre console • 'Key left in ignition' audible warning • Visible Vehicle Identification Number (VIN) • Door-to-door illumination • Locking wheel bolts for alloy wheels (where fitted)

## Heating and ventilation

- Standard features** • Air blend heater with six-speed fan and illuminated controls • Interior pollen filter • Side window demist vents • Four adjustable heating and ventilation outlets on facia • Rear passenger compartment heating outlets

### Additional features

	Exp.	S	Exclusiv	SE
Air conditioning and air recirculation facility		○	●	●
Dual-zone Electronic Climate Control (ECC) incorporating air conditioning			○	○



## Facia, instruments and controls

**Standard features** • Rev counter • Electronically controlled coolant temperature gauge and fuel gauge • Trip odometer • Low fuel level warning light • Service-due indicator • Handbrake-on warning light • Steering column adjustable for reach and rake • Three-spoke steering wheel • Instrument panel light dimmer • Glovebox with lid • 12-volt electrical accessory socket in front centre console • Multi-function display panel showing time, date, audio information and outside air temperature (with ice warning function) • Digital clock with automatic RDS time adjustment • Seatbelt unfastened warning light for front seats • Adjustable speed limit audible warning

<b>Additional features</b>	Exp.	S	Exclusiv	SE
Leather-covered steering wheel				●
Electrically heated leather-covered steering wheel			□	□
Leather-covered gear knob (manual models only)				●
Cruise control		○ <sup>1</sup>	●	●
Multi-function trip computer				●
Seatbelt unfastened warning light for rear seats	□	□	●	●

## Seating and upholstery (see pages 46/47 for more details)

**Standard features** • Reclining front seats • Driver's seat height adjuster • FlexSpace<sup>®</sup> rear seating – Provides an innovative solution to varying passenger and luggage carrying requirements • 40/20/40 split-folding rear seat • Sliding outer rear seats with ability to slide forwards, backwards and diagonally inwards, increasing legroom and shoulder room

<b>Additional features</b>	Exp.	S	Exclusiv	SE
Pepe cloth seat trim	●	●		
Skyline cloth seat trim			●	
Astor cloth/Morrocana seat trim				●
Top Tec fabric protection (Cocoa cloth only)				●
Leather seat facings				□
Electrically heated front seats			□	□
Ergonomic sports front seats with electrical lumbar adjustment			○	○ <sup>2,3</sup>
Pockets on front seat backs			●	●
Aviation-style folding trays on front seat backs				●
Driver's underseat storage box				●
Front passenger's underseat storage tray				●



Multi-function trip computer.



Pockets on front seat backs.

- = Standard equipment.
- = Optional at extra cost.
- = Only available as part of an extra-cost option pack (see page 52 for details).
- Exp. = Expression.

- 1 = Fitted in conjunction with optional mobile phone system with Bluetooth<sup>®</sup>. Not available separately.
- 2 = Also available as part of an extra-cost option pack.
- 3 = Deletes front passenger's underseat storage tray, driver's underseat storage box and aviation-style folding trays on front seat backs.



Rear passenger assist handle.



Luggage hook on nearside of luggage compartment.



Coin holder and pen holder in glovebox.

## Additional interior features

**Standard features** • Front door pockets with bottle holders • Drinks holders in centre console • Coin holder and pen holder in glovebox • Three passenger assist handles • Two rear coat hooks • Dipping rear-view mirror • Twin sunvisors with mirror and document pocket • Fade up/fade down front courtesy light operated by front door switches • Driver's sunglasses holder • Rear door pockets • Luggage compartment cover • Flex Floor luggage compartment • Luggage hook on nearside of luggage compartment • Illuminated luggage area • Two interior tailgate handles • Four load restraint lashing eyes • Storage compartment in nearside of luggage compartment • Load area sill protection • Chrome-effect door handles • Chrome-effect trim on instrument surrounds

<b>Additional features</b>	Exp.	S	Exclusiv	SE
Jet black upper facia with Black trim			●	
Red upper facia with Red trim			●	
Vulcano upper facia with Orange trim			●	
Dark galvanised upper facia with Black trim				●
Light galvanised upper facia with Cocoa trim				●
FlexRail® centre console system with sliding tray/cup holder			●	●
Front sliding centre storage module with armrest and lid			○	●
Twin sunvisors incorporating illuminated vanity mirrors				●
Front reading lights			●	●
Rear courtesy lights			●	●
Ambient lighting in lower centre console			●	●
Ambient lighting for mid-centre console				●
Electro-chromatic anti-dazzle rear-view mirror			□	□
12-volt electrical accessory socket in rear centre console			●	●
12-volt electrical accessory socket in luggage compartment			□	□
Load-restraining floor net in luggage compartment			□	□

## Mechanical

**Standard features** • Front-wheel drive • Speed-sensitive electric power-assisted steering • Gas-pressure dampers • Front anti-roll bar

<b>Additional features</b>	Exp.	S	Exclusiv	SE
Five-speed manual gearbox (1.4i 16v VVT/1.4i 16v VVT Turbo (120PS)/1.3CDTi 16v models)	●	●	●	●
Six-speed manual gearbox (1.4i 16v VVT Turbo (140PS) models)			●	●
Six-speed automatic transmission (1.7CDTi 16v models)		●	●	●

## Exterior protection and styling

Features	Exp.	S	Exclusiv	SE
Chrome-effect moulding on tailgate	●	●	●	●
Body-colour bumpers	●	●	●	●
Body-colour door handles	●	●	●	●
Chrome-effect insert on door handles				●
Partial body-colour door mirror housings	●	●	●	
Full body-colour door mirrors				●
Alloy-effect front and rear door sill step plates				●
Chrome-effect exhaust tailpipe extension (1.4i 16v VVT Turbo (140PS) models only)			●	●

## Exterior and convenience features

**Standard features** • FlexDoors® – Offer easy access to rear seats, making it significantly simpler to attach, for example, child seats  
 • Tinted glass • Electrically operated front windows with safety autoreverse and one-touch facility • Two-speed symmetrical overlap windscreen wipers with variable intermittent wipe • Heated rear window with intermittent wash/wipe • Twin electrically adjustable/heated door mirrors (wide-angle on driver's side) • Foldable door mirrors • Folding key • Touch-sensitive tailgate release • Daytime running lights • Lights-on audible warning • Halogen headlights • Electric headlight beam levelling • High-level LED centre brake light • Welcome lighting

Additional features	Exp.	S	Exclusiv	SE
Dark-tinted glass (excludes windscreen and front door windows)				●
Electrically operated rear windows with safety autoreverse and one-touch facility				●
Panoramic glass roof with electrically operated sunshade				●
Adaptive Forward Lighting (AFL) – halogen – see <b>D3</b> on page 57			○	○
Automatic lighting control with tunnel detection			□	□
Front fog lights			○	●
Rain-sensitive windscreen wipers			□	□
Front and rear parking distance sensors <sup>4</sup>		○	○	○
Flex-Fix® integrated carrier system (includes two-bicycle carrier attachment) <sup>5</sup> – see page 58 for important Flex-Fix® and bicycle dimensions information			○	○
Two-coat metallic or pearlescent paint		○	○	○



Adaptive Forward Lighting.



Electrically operated windows.

- = Standard equipment.
- = Optional at extra cost.
- = Only available as part of an extra-cost option pack (see page 52 for details).
- Exp. = Expression.

<sup>4</sup> = Not available in conjunction with Flex-Fix® integrated carrier system.

<sup>5</sup> = Not available in conjunction with front and rear parking distance sensors, space-saver spare wheel/tyre or VXR Styling Pack. Requires additional number plate at extra cost.



Electrically heated leather-covered steering wheel.



Steering wheel mounted audio controls.

● = Standard equipment.  
○ = Optional at extra cost.  
Exp. = Expression.

- 1 = Fitted in conjunction with optional mobile phone system with Bluetooth®. Not available separately.
- 3 = Deletes front passenger's underseat storage tray, driver's underseat storage box and aviation-style folding trays on front seat backs.
- 6 = Not available in conjunction with Flex-Fix® integrated carrier system or space-saver spare wheel/tyre.
- 7 = Front seat side-impact airbags are standard.
- 8 = Includes steering wheel mounted audio controls and cruise control.

## Option packs

	Exp.	S	Exclusiv	SE
<b>Leather Pack<sup>3</sup></b> • Leather seat facings • Electrically heated ergonomic sports front seats • Driver's and front passenger's electrical lumbar adjustment				○
<b>VXR Styling Pack<sup>6</sup></b> • Body-colour front lower spoiler/side sills/rear lower skirt/rear spoiler			○	○
<b>Protection Pack</b> • Full-size curtain airbags • Front seat side-impact airbags • Active-safety front seat head restraints • Seatbelt unfastened warning light for rear seats	○	○ <sup>7</sup>	●	●
<b>Sight and Light Pack</b> • Automatic lighting control with tunnel detection • Rain-sensitive windscreen wipers • Electro-chromatic anti-dazzle rear-view mirror			○	○
<b>Winter Pack</b> • Electrically heated front seats • Electrically heated leather-covered steering wheel			○	○
<b>Convenience Pack</b> • 12-volt electrical accessory socket in luggage compartment • Load-restraining floor net in luggage compartment			○	○

## Audio, navigation and communication

Features	Exp.	S	Exclusiv	SE
<b>CD player with MP3 format/stereo radio (CD 300)</b> • CD player with MP3 format • Auxiliary-in socket • AM/FM stereo radio with 18 station presets • RDS with Traffic Programme • Remote display • 20 watts per channel output • 4 speakers	●			
<b>CD player with MP3 format/stereo radio (CD 400)</b> • CD player with MP3 format • AM/FM stereo radio with 36 station presets • Auxiliary-in socket • Graphic display • RDS with Traffic Programme • 20 watts per channel output • 7 speakers		●	●	●
<b>Satellite navigation/CD player with MP3 format/stereo radio (CD 500)</b> • Satellite navigation system • CD player with MP3 format • USB connection with iPod™ control • Auxiliary-in socket • AM/FM stereo radio with 36 station presets • RDS with Traffic Programme • 7-inch remote colour monitor • 20 watts per channel output • 7 premium speakers			○	○
Steering wheel mounted audio controls		○ <sup>1</sup>	●	●
Stereo radio with Digital Audio Broadcast (DAB)			○	○
Mobile phone system with Bluetooth® (does not include phone)		○ <sup>8</sup>	○	○
Embedded mobile phone system with Bluetooth® (does not include phone)			○	○

**Satellite navigation**

The CD 500 satellite navigation system, offers dynamic route guidance via RDS-TMC (Traffic Message Channel) with directions given audibly and via the 7-inch colour monitor. TMC is a specific application of RDS used for broadcasting real-time traffic information. It alerts the driver to a problem on the planned route and calculates an alternative route to avoid the incident.

The CD-ROM supplied with the system covers all major link roads and streets in towns and cities across mainland Britain, plus trunk and main roads across more than 30 European countries. Additional country-specific CD-ROMs with street level detail are available from your Vauxhall retailer.

The navigation data is loaded onto the unit's internal flash memory for fast access. This allows the CD player to play regular audio CDs and MP3 tracks recorded to CD whilst the navigation system is in use.

**Auxiliary-in socket**

The auxiliary-in socket allows you to connect your portable MP3 music player directly into the car's audio system. All you need is your music player and a suitable connecting lead and you can listen to all your favourite tunes through your car's speaker system. Using your MP3 music player in the car couldn't be easier – use it to select the music, as you would normally do, while controlling the volume via the car's regular volume controls.

**USB connection**

Fitted in conjunction with the optional CD 500 satellite navigation system, the USB connection is located alongside the auxiliary-in socket in the centre console. It provides iPod™ control and read-out of iPod™ functions through the audio system display. Traditional auxiliary-in sockets only allow control of volume through the car's audio system. The USB connection also means that the iPod™ will charge whilst it is connected.

**MP3 CD player**

An MP3 is a compressed sound or music file which, due to its small size, takes up less space on a compact disc, which means that more tracks can be recorded onto a CD. It's possible to fit almost 10 hours of music onto one CD, and, in a way, turns a single-disc CD/MP3 player into a multi-disc autochanger. Providing you have access to a compatible computer to create the MP3 tracks, you can compress your CD collection and create your own compilations – and you won't have to drive around with all your original CDs in the car.

**Digital Audio Broadcast (DAB) facility**

Now widely available in the UK, digital audio broadcasts offer the user a variety of advantages over traditional FM, starting with the digital quality sound which is immune to any hiss or crackle.

You'll often find a broader range of stations on offer too, many of which are not available on FM, and listening to them couldn't be easier – you simply select the station, by name, from the displayed list, thus removing

the need to retune or look for stations when travelling around. Some stations will even display the artists' names and song titles on the car's graphic display, while they're played.

**Mobile phone system with Bluetooth®**

Vauxhall's optional factory-fit mobile phone system has been considerably enhanced. Now fully integrated into the audio and communication system, it also features voice control and will connect wirelessly to phones with Bluetooth® technology.

All the required information is displayed on the graphic information display when a mobile phone is in use, while the menus are easily navigated by either the steering wheel audio controls or the multi-function button on the radio. Certain functions can also be controlled by voice activation.

**Embedded mobile phone system with Bluetooth®**

This is the next generation of in-car mobile phone system. The mobile phone's contacts, caller lists and phone settings are downloaded to the in-car flash drive and, once this synchronisation is complete, the car effectively becomes the phone.

The mobile phone will sit in standby mode and the Bluetooth® function will no longer drain the battery, whilst all calls will be transmitted via the car's, rather than the mobile phone's, aerial.

Any alterations that have been made to the contacts, caller lists etc. whilst the units have been synchronised will be transferred back to the mobile phone.



*Satellite navigation.*



*Auxiliary-in socket and USB connection.*

Vauxhall supporting



### Smarter driving tips

- Drive at an appropriate speed:** – Staying within the speed limit increases driver safety, reduces CO<sub>2</sub> emissions and saves fuel. At 70mph you could be using up to 9% more fuel than at 60mph and up to 15% more fuel than at 50mph
- Drive smoothly at all times:** – Anticipate the ebb and flow of the traffic to avoid harsh acceleration and braking
- Reduce your revs:** – Change gear earlier to help reduce fuel consumption – try 2500rpm with petrol engines and 2000rpm with diesel
- Idling is wasting fuel:** – If you're likely to be at a standstill for more than three minutes, switch off the engine to save fuel
- Regularly check your tyre pressures:** – Under inflated tyres increase CO<sub>2</sub> emissions whilst incorrectly inflated tyres can be unsafe. Always check your handbook for the correct tyre pressure. This will also help to increase the life of your tyres
- Remove unnecessary items from the car:** – Extra weight increases the engine's workload, whilst roof racks and bike carriers increase wind resistance. All burn more fuel and increase CO<sub>2</sub> emissions

### Petrol engines

	1.4i 16v VVT ECOTEC-4	1.4i 16v VVT Turbo ECOTEC-4	1.4i 16v VVT Turbo ECOTEC-4
Capacity	1398cc	1364cc	1364cc
Maximum power	100PS (74kW) @ 6000rpm	120PS (88kW) @ 4800-6000rpm	140PS (103kW) @ 4900-6000rpm
Maximum torque	130Nm (96 lb.ft.) @ 4000rpm	175Nm (129 lb.ft.) @ 1750-4800rpm	200Nm (147 lb.ft.) @ 1850-4900rpm
Configuration	4 cylinders, 4 valves per cylinder, double overhead camshafts		
Fuel/induction system	Naturally aspirated. Variable Valve Timing (VVT). Multi-point sequential fuel injection.	Turbocharger with intercooler. Variable Valve Timing (VVT). Multi-point sequential fuel injection.	
Service interval	20,000 miles or 1 year (whichever occurs sooner)		
<i>Benefit in kind company car taxation – 2010/11 tax year</i>			
All models	17%	17%	20%

### Diesel engines

	1.3CDTi 16v ECOTEC-4	1.7CDTi 16v ECOTEC-4
Capacity	1248cc	1686cc
Maximum power	75PS (55kW) @ 4000rpm	100PS (74kW) @ 4000rpm
Maximum torque	180Nm (133 lb.ft.) @ 1750-2500rpm	260Nm (192 lb.ft.) @ 1700-2550rpm
Configuration	4 cylinders, 4 valves per cylinder, double overhead camshafts	
Fuel/induction system	Turbocharger with intercooler. Common rail fuel injection	Variable geometry turbocharger with intercooler. Common rail fuel injection
Service interval	20,000 miles or 1 year (whichever occurs sooner)	
<i>Benefit in kind company car taxation – 2010/11 tax year</i>		
All models	18%	25%

## Performance, fuel economy and emissions

Model	Performance*		Fuel economy mpg (litres/100km)			CO <sub>2</sub> emissions (g/km)
	Maximum speed (mph)	Acceleration (secs) 0-62mph	Urban driving	Extra-urban driving	Combined figure	
<b>Manual</b>						
1.4i 16v VVT (100PS)	110	13.9	35.8 (7.9)	55.4 (5.1)	46.3 (6.1)	144
1.4i 16v VVT Turbo (120PS)	117	11.5	35.3 (8.0)	56.5 (5.0)	46.3 (6.1)	143
1.4i 16v VVT Turbo (140PS)	122	10.3	32.1 (8.8)	52.3 (5.4)	42.2 (6.7)	156
1.3CDTi 16v	99	16.9	47.9 (5.9)	65.7 (4.3)	57.6 (4.9)	129
<b>Automatic</b>						
1.7CDTi 16v	107	13.9	32.8 (8.6)	55.4 (5.1)	44.1 (6.4)	168

\* = Manufacturer's figures.

All information was accurate and up-to-date at the time of going to press. The company reserves the right to alter engine specifications at any time, which may influence the content of the shown data. Please consult your Vauxhall retailer for the latest information. All figures quoted relate to the EU base model with standard equipment. Fuel consumption data and CO<sub>2</sub> emission data determined according to regulation EC 715/2007, inclusive of implementing regulation EC 692/2008 and/or ECE R83 series 05, taking into consideration the vehicle weight in running order, as specified by the regulation. Additional equipment may lead to slightly higher results than the stated consumption and CO<sub>2</sub> figures. In addition, it may increase the weight of the vehicle when empty and in some cases the permissible axle weights as well as the permissible total weight of the vehicle and reduce the permissible towing weights. This may lead to a reduction in top speed and increased acceleration time. The driving performance figures shown are attainable when the vehicle is empty, plus a load of 200 kilograms.

## Weights and towing data kg

	Gross vehicle weight	Maximum towing weights Trailer with brakes (without brakes)
1.4i 16v VVT Expression/S	1890	750 (670)
1.4i 16v VVT S (air-con.)/Exclusiv/SE	1905	750 (670)
1.4i 16v VVT Turbo (120PS) S	1920	1050 (680)
1.4i 16v VVT Turbo (120PS) S (air-con.)/Exclusiv/SE	1935	1050 (680)
1.4i 16v VVT Turbo (140PS)	1955	1200 (680)
1.3CDTi 16v S	1950	1000 (710)
1.3CDTi 16v S (air-con.)/Exclusiv	1965	1000 (710)
1.7CDTi 16v S	2035	1200 (740)
1.7CDTi 16v S (air-con.)/Exclusiv/SE	2050	1200 (740)

**Gross vehicle weight** is the total permissible weight of the vehicle including passengers and their luggage. The **maximum roof rack loading** should not exceed a total of 60kg. The **maximum towing weights** are based on the ability of the car, with two occupants of 75kg each, to restart on a 12% gradient, which is approximately 1 in 8.3, at sea level. At altitudes above 1500 metres, the engine output may drop with a corresponding reduction in towing capability. Any extra weight, such as luggage or additional passengers, should be deducted from the maximum towing weight. With a trailer fully loaded, **maximum noseweight** should not exceed 75kg. Always fit Vauxhall towing attachments and accessories available from your Vauxhall retailer. They are designed specifically for Vauxhall models and carry a 12-month guarantee.



**57.6mpg**

1.3CDTi 16v engine provides exceptional economy



**1200kg**

Maximum towing weight



### Vauxhall Assistance and warranties\*

- All new Vauxhalls qualify for a three-year vehicle warranty consisting of a one year/ unlimited mileage manufacturer's warranty and a second and third year manufacturer's warranty with a 60,000 miles limitation
- Vauxhall Assistance for 12 months from first registration
- Six years' body panel anti-perforation warranty

\* = Warranty is only available on vehicles sourced from General Motors UK Limited. Terms and conditions apply – please see your Vauxhall retailer for details.



### Steering

- Rack and pinion
- Speed-sensitive electric power-assisted steering standard on all models
- Turning circle (kerb-to-kerb):  
Wheels up to 17 inches – 11.06m (36.3ft.)  
18-inch wheels – 11.19m (36.7ft.)
- Turns lock-to-lock:  
Wheels up to 17 inches – 2.51  
18-inch wheels – 2.45

### Suspension

**Front:** Independent. MacPherson struts with coil springs and gas-pressure dampers. Anti-roll bar.

**Rear:** Torsion tube with compound links. Progressive-rate double conical mini-block springs and gas-pressure dampers.

### Brakes

- Anti-lock Braking System (ABS)
  - Asbestos-free friction material
  - Dual circuit, diagonally split, dual rate servo-assisted system
  - Low brake fluid level warning light
  - Plastic-coated brake pipes
- 1.4i 16v VVT/1.4i 16v VVT Turbo (120PS)/1.3CDTi 16v**  
Front ventilated discs: 280mm diameter  
Rear discs: 264mm diameter
- 1.4i 16v VVT Turbo (140PS)/1.7CDTi 16v**  
Front ventilated discs: 308mm diameter  
Rear discs: 264mm diameter

### Transmission

#### Five-speed manual gearbox:

Fitted as standard to 1.4i 16v VVT, 1.4i 16v VVT Turbo (120PS) and 1.3CDTi 16v models. First and second gears feature triple-cone synchronisation for ease of engagement.

#### Six-speed manual gearbox:

Fitted as standard to 1.4i 16v VVT Turbo (140PS) models. First and second gears feature triple-cone synchronisation for ease of engagement. Reverse gear is also synchronised.

#### Six-speed automatic transmission:

Fitted as standard to 1.7CDTi 16v models. Electronically controlled with adaptive driving function that adjusts to the driving style and prevailing road conditions. Fluid drive with torque converter, lock-up clutch, neutral control fuel-saving feature and Active Select.

### Body

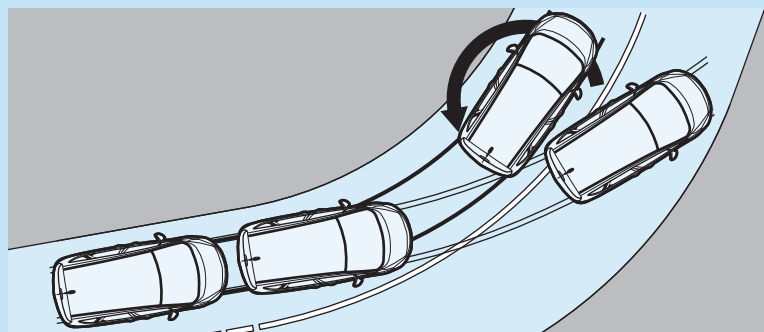
- Aerodynamic drag co-efficient: Cd 0.33

### Fuel tank capacity

- 54 litres (11.9 gallons)

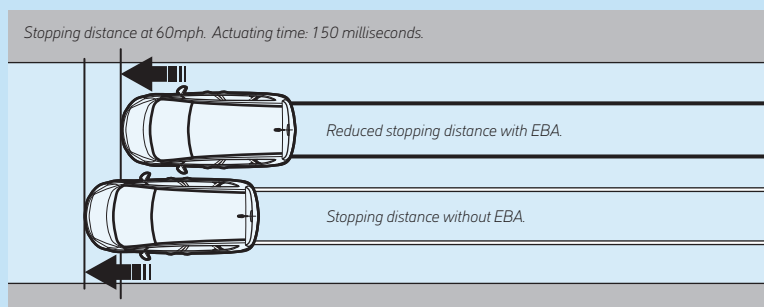


Features explained



**D1. Electronic Stability Programme-plus (ESP-plus) with Enhanced Understeering Control**

The system works in conjunction with the car's traction control set-up, sensing when the vehicle is about to slide on a bend and applying corrective braking to the appropriate wheel or wheels, correcting the slide and helping you regain control more rapidly.

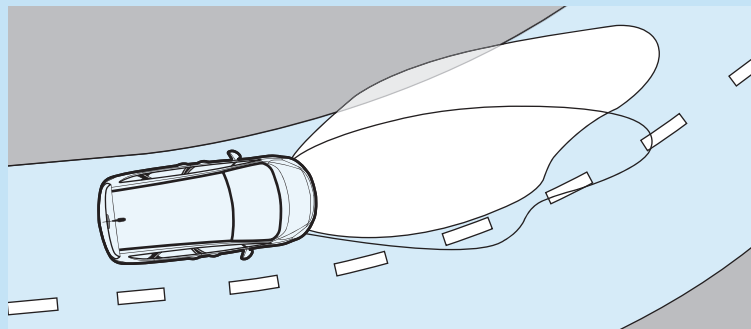


**D2. Emergency Brake Assist (EBA)**

Emergency brake assist detects the urgency with which the brake pedal is pressed and rapidly increases the pressure to the maximum the system can provide, shortening stopping distances. It also enhances pedal feel.

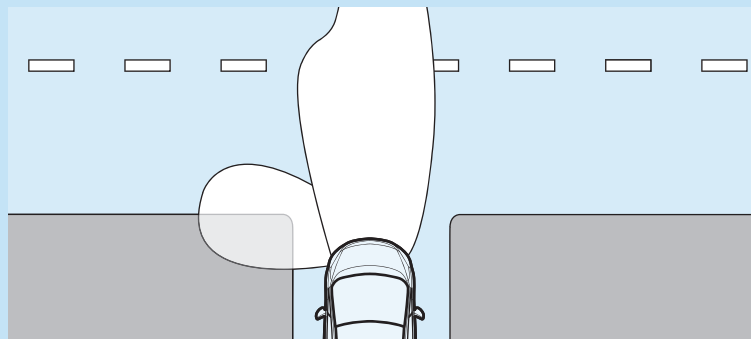
**D3. Adaptive Forward Lighting (AFL) – halogen**

Optional at extra cost on Exclusiv and SE. Adaptive Forward Lighting is a sophisticated lighting system that 'allows you to see around corners!' AFL makes driving in darkness not only safer, but also more relaxing. There are two main functions:



**Curve light**

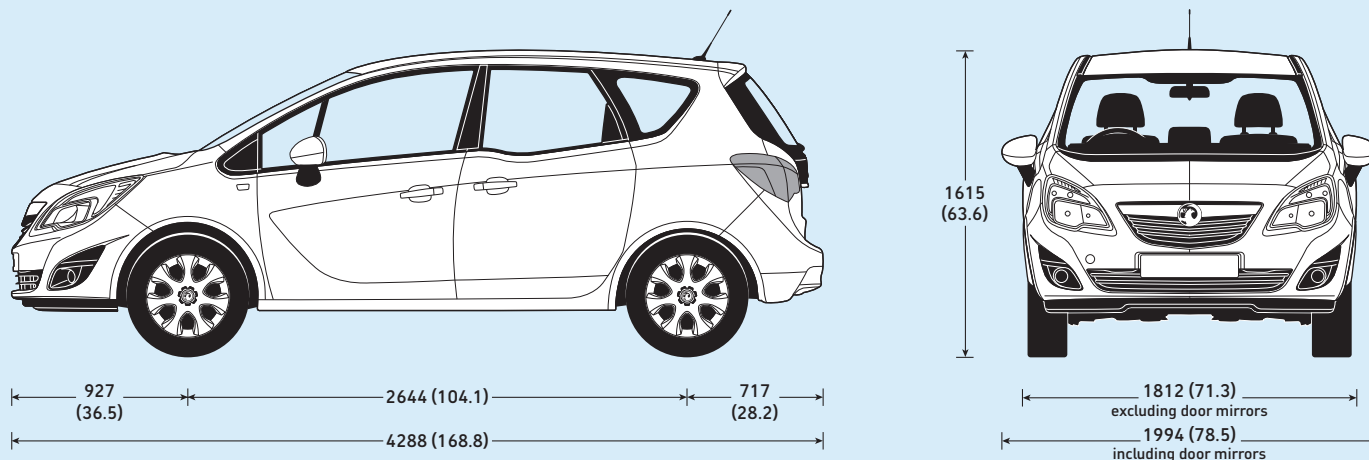
Speed-dependent, the system is activated by movements of the steering wheel and allows the headlight beam to move up to 15 degrees outwards and 8 degrees inwards. This ensures that the main headlight beams are always aimed in the direction you're about to go – and not necessarily the direction the front of the car is already pointing in!



**Cornering light**

Employs an additional bulb and reflector which projects a beam of light approximately 90° to the direction of travel. This 'wide angle' effect provides enhanced illumination of side roads and junctions. Operates at speeds below 25mph.

Exterior dimensions millimetres (inches)



Luggage capacities (ECIE method)

	litres	cu.ft
<b>Three rear seats configuration</b>		
To upper edge of rear seat back	397	14.0
Rear seats folded flat (to upper edge of front seat back)	916	32.3
Rear seats folded flat (to roof)	1496	52.8

Loadspace dimensions

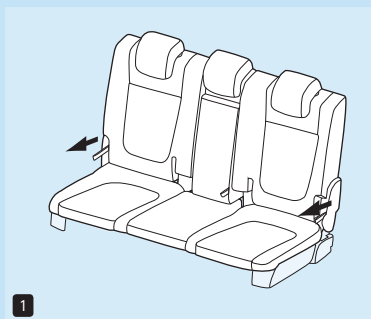
	mm	inches
Maximum load length behind front seat	1642	64.6
Maximum load area width	1052	41.4
Maximum load area height	803	31.6
Maximum tailgate aperture width	1086	42.8
Maximum tailgate aperture height	791	31.1

Flex-Fix® key dimensions

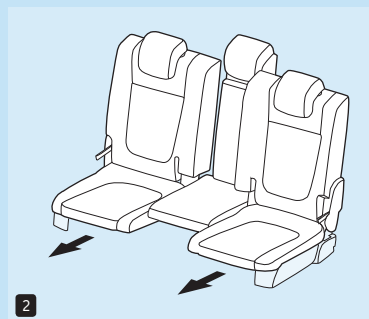
	mm	inches
Maximum circumference around rim and tyre of bicycle	225	8.9
Maximum crank arm width	52	2.0
Maximum crank arm depth	25	1.0
Maximum crank arm length	no limit	

## Seating configurations

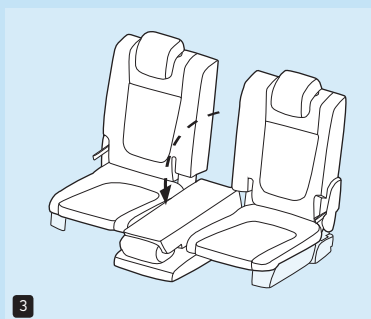
**1** All three rear seat backrests include handy low-mounted release straps, making it easy to lower the seat backs. For added convenience there are equivalent pull straps accessible from within the luggage compartment.



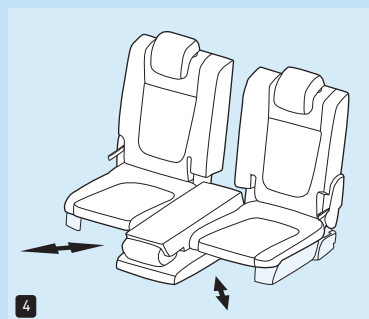
**2** The outer rear seats can be slid forwards by up to 140mm, allowing passengers to find the perfect seating position to reach, for example, the aviation-style folding trays.



**3** Fold the centre rear seat backrest down, and the base cantilevers downwards below the level of the outer rear seats.



**4** Each outer rear seat can be individually slid diagonally backwards by 50mm to provide extra legroom and shoulder room.



**5** Accessible from within the luggage compartment, convenient release straps enable each part of the 40/20/40 rear seat backrest to be folded forward to give a flat load area capable of carrying loads of up to 1642mm in length.



**6** There is no need to remove the new L-shaped head restraints before folding the seat backrests flat.



# Trust Vauxhall

## Protecting the environment

Vauxhall's commitment to the environment is demonstrated by our products' many environmental awards, won both through the use of more recycled materials and by becoming cleaner and more efficient. For information on Vauxhall's efforts to achieve an environmentally sustainable future, see [www.vauxhall.co.uk/recycling](http://www.vauxhall.co.uk/recycling)

## Fleet Customer Services

Our dedicated support services for fleet managers includes factory demonstrators, a three-day test drive programme and information on whole life costs, company car taxation and finance. For further information please call **0870 010 0651**.

## Buying your car

GMAC offers one of the most comprehensive and competitive ranges of financing plans in the UK. Contact your local Vauxhall retailer for details or call the GMAC customer service centre on **0845 712 3444**.

## Vauxhall Extended Warranty

For complete peace of mind Vauxhall offers an extended warranty that can be purchased on an annual basis following the expiry of the original new car warranty. It covers most mechanical and electrical components. Terms and conditions apply, for further details please contact your local Vauxhall retailer.

## Servicing and maintenance

The best way to maximise the performance and reliability of your Vauxhall is to have all routine servicing and maintenance carried out at one of around 400 Vauxhall retailers. To find your nearest retailer call **0845 600 1500**.

## In the event of an accident...

Vauxhall Accident Support helps keep you mobile following an accident. Benefits include scene-of-accident advice, message service, assistance with claims and vehicle recovery. For further details call **0800 010 304**.

## Vauxhall Insurance

Available for new and used Vauxhalls, a Vauxhall Insurance policy offers a unique package designed specifically for Vauxhall drivers. For a highly competitive quotation, call **0844 84 85 840** (Great Britain) or **0845 35 13 410** (N. Ireland). Or just visit our website at [www.vauxhall.co.uk](http://www.vauxhall.co.uk)

## For more information...

For a brochure on any Vauxhall model (up to a maximum of three per caller) or location of your nearest Vauxhall retailer please **Lo-call 0845 600 1500**.

Alternatively, details can be found on our website at [www.vauxhall.co.uk](http://www.vauxhall.co.uk)



- Save up to **£1500\*** on a new Vauxhall with The GM Card
- 100 Rebate Points worth **£100** when you use The GM Card for the first time
- Rebate Point saving is on top of any discount or offer negotiated with the Retailer
- Earn 3 Rebate Points (€3) for every **£100** you spend

**Typical 14.9% APR variable**

To apply call **0845 746 2777** or visit [www.gmcard.co.uk](http://www.gmcard.co.uk)

The GM Card is issued by HFC Bank Limited and is available to persons aged 18 years or over and resident in the UK (or 21 and over in the Channel Islands) and is subject to status and conditions. Written quotations are available upon request from The GM Card, PO Box 3615, Birmingham B3 2RJ. The typical APR quoted is the rate for new customers. Rebate Points are earned on purchases using The GM Card. Rebate Points are not earned on Balance Transfers or Cash Advances. You earn money off a new Vauxhall by accumulating Rebate Points under the Rebate Points Programme. General Motors UK Limited is solely responsible for the operation of the Rebate Points Programme, which is subject to the Rebate Points Programme Rules. \*You can redeem up to 1500 Rebate Points subject to the Model Line Maximum which will vary in amount in relation to different Vauxhall vehicle model lines and unlimited Partner Points. Rebate Points and unlimited Partner Points are redeemable as discounts on a new Vauxhall vehicle and must be redeemed four years from the issue date. Rebate Points may not be redeemed by Motability Contract Hire customers. 'The GM Card' is a trading name and style of both HFC Bank Limited and General Motors UK Limited. HFC Bank registered in England No. 1117305. Registered Office: North Street, Winkfield, Windsor, Berkshire SL4 4TD is authorised and regulated by the Financial Services Authority. Member HSBC Group. HFC Bank Limited is not a member of the same group of companies as General Motors UK Limited or GMAC UK plc. General Motors UK Limited, Registered Office: Griffin House, Osborne Road, Luton, Bedfordshire LU1 3YT. Registered in England number 135767. - CN6/0987.

Every effort has been made to ensure that the contents of this publication were accurate and up-to-date at the time of going to press (May 2010). Vauxhall vehicles are equipped with components manufactured by various General Motors operating units and outside suppliers. The Company reserves the right to alter specifications and withdraw products from sale without notice. Any such alterations will be notified to Vauxhall retailers at the earliest opportunity; please consult your local retailer for the latest information. The specifications detailed within this brochure are not necessarily applicable to alternative models such as Special Editions. Details of any such models will be contained in specific literature or found on the Vauxhall website. Please note that Vauxhall retailers are not the agents of General Motors UK Limited and are not authorised to bind the Company by any specific or implied undertaking or representation. It is advisable to ensure that your motor insurance policy provides adequate cover for additional fitted options and accessories. Please note accessories shown are for illustrative purposes only. As part of Vauxhall's policy of environmental care, this brochure is printed on paper manufactured using Elemental Chlorine Free pulps from specially farmed, sustainable timber resources. All rights reserved. No part of this publication may be reproduced in any form or by any means, without the prior written permission of General Motors UK Limited.

