

LCV RANGE

Price and Specification Guide | 12 June 2020 | Model Year 2020/2021



CONTENTS

To find the information you want use the links below to navigate around the guide:

NEW COMBO CARGO

[Range Highlights >](#)

[Models >](#)

[Prices, Weights,
Fuel Economy and Emissions >](#)

[Features/Options >](#)

[Exterior Colours >](#)

[Wheels and Tyres >](#)

[Specifications >](#)

[Dimensions >](#)

NEW VIVARO

[Range Highlights >](#)

[Models >](#)

[Prices, Weights,
Fuel Economy and Emissions >](#)

[Features/Options >](#)

[Exterior Colours >](#)

[Wheels and Tyres >](#)

[Specifications >](#)

[Dimensions >](#)

NEW MOVANO

[Range Highlights >](#)

[Prices, Weights,
Fuel Economy and Emissions >](#)

[Features/Options >](#)

[Exterior Colours >](#)

[Wheels and Tyres >](#)

[Specifications >](#)

[Dimensions >](#)

[GLOSSARY OF TERMS >](#)

[FURTHER INFORMATION >](#)

NEW COMBO CARGO RANGE HIGHLIGHTS



VX_COMV_29785.psd

EDITION OTR from £18,483.33*

Standard features include:

Infotainment:

- AM/FM/DAB digital radio, Bluetooth® audio streaming, Bluetooth® mobile phone portal, USB audio connection with 3.5-inch display
- Vauxhall Connect

Interior convenience/styling:

- Steering column adjustable for reach and rake

Exterior convenience/styling:

- Electrically adjustable/heated door mirrors
- Electrically operated front windows
- Nearside sliding side-access door – L1 models
- Nearside and offside sliding side-access doors – L2 models
- Twin solid rear doors
- Emergency tyre inflation kit
- Side-protection mouldings

Safety/security:

- Driver's airbag
- Anti-lock braking system
- Hill start assist
- Full-height steel bulkhead
- Daytime running lights
- Automatic lighting control
- Remote control central deadlocking
- Keyless entry and start – standard on automatic models
- Engine deadlock immobiliser
- Electronically protected audio equipment



VX_COMV_28911.psd

SPORTIVE OTR from £19,833.33*

Features over Edition:

Interior convenience/styling:

- Steering wheel mounted audio controls
- Air conditioning
- Driver's top-lidded glovebox
- Height-adjustable driver's seat
- Four-way adjustable passenger's seat
- Driver's seat with manual lumbar adjustment
- Electronic cruise control

Exterior convenience/styling:

- Rear parking distance sensors
- Body-colour front and rear bumpers
- Metallic paint
- 16-inch steel wheels with 185/65 R16 tyres with full-diameter wheel trims

Security:

- Remote control security alarm system

Crew Van (Edition and Sportive) models additionally feature:

- Two-position moveable ladder frame bulkhead
- Three-seat second-row bench
- Lap and diagonal inertia-reel seatbelts
- Nearside and offside sliding side-access doors

4x4 (Edition and Sportive) models additionally feature:**

- Selectable 4x4 drive system with viscous-coupling
- ECO front-wheel drive mode
- Increased ground clearance 185mm
- Underbody protection for engine, gearbox and fuel tank



VX_COMV_28954.psd

LE NAV OTR from £21,558.33*

Features over Sportive:

Infotainment:

- Navi IntelliLink
 - 8-inch colour touchscreen
 - Satellite navigation system

Exterior convenience/styling:

- Body-colour side-protection mouldings
- Body-colour door handles
- Body-colour sliding side-access door rail cover
- Front fog lights
- Protective front skid plate
- 16-inch alloy wheels with 205/60 R16 tyres

*OTR price excluding VAT.

**For specific warranty details see Combo 4x4 prices page.

EDITION



VX_COMV_29785.psd



VX_COM_28471.tif



VX_COMV_28870.psd



VX_COMV_28951.tif

L1 PANEL VAN ON-THE-ROAD PRICES

EURO 6D (6.3)	OTR RRP exc. VAT	CO ₂ (g/km)	Insurance Group
Petrol			
2000 1.2 (110PS) Turbo Start/Stop	£18,533.33	123	tba
EURO 6D TEMP (6.2)			
Diesel			
2000 1.5 (75PS) Turbo D Start/Stop	£18,483.33	109	30A
2000 1.5 (100PS) Turbo D Start/Stop	£19,008.33	107	30A
2000 1.5 (130PS) Turbo D Start/Stop	£19,658.33	117	31A
2000 1.5 (130PS) Turbo D Start/Stop automatic	£21,608.33	114	32A
2300 1.5 (75PS) Turbo D Start/Stop	£18,833.33	109	30A
2300 1.5 (100PS) Turbo D Start/Stop	£19,358.33	108	30A
2300 1.5 (130PS) Turbo D Start/Stop	£20,008.33	117	31A
2300 1.5 (130PS) Turbo D Start/Stop automatic	£21,958.33	114	32A
2300 1.5 (130PS) Turbo D Start/Stop 4x4**	£36,163.33	144	tba

L2 PANEL VAN ON-THE-ROAD PRICES

EURO 6D TEMP (6.2)			
Diesel			
2300 1.5 (100PS) Turbo D Start/Stop	£20,558.33	108	30A
2300 1.5 (130PS) Turbo D Start/Stop automatic	£23,158.33	114	30A
2300 1.5 (130PS) Turbo D Start/Stop 4x4**	£37,363.33	144	tba

Please note: On-the-road recommended retail prices (RRP) include number plates and delivery to Retailer of £583.33, 12 months' Vehicle Excise Duty (£265.00) and new vehicle first registration fee of £55.00. Excludes fuel and insurance.

FEATURES

Infotainment:

- AM/FM/DAB digital radio
- Bluetooth® audio streaming
- Bluetooth® mobile phone portal
- USB audio connection
- Four speakers
- Vauxhall Connect

Interior convenience/styling:

- Steering column adjustable for reach and rake
- Full-width overhead storage shelf
- Four-way adjustable driver's seat
- Front passenger's seat with underseat storage

Exterior convenience/styling:

- Electrically adjustable/heated door mirrors
- Electrically operated front windows with one-touch facility
- Nearside sliding side-access door
- Twin solid rear doors
- Emergency tyre inflation kit
- Side-protection mouldings
- 15-inch steel wheels with 195/65 R15 tyres with centre caps (2000 models)
- 16-inch steel wheels with 205/60 R16 tyres with centre caps (2300 models)

Safety/security:

- Driver's airbag
- Height-adjustable front lap and diagonal inertia-reel seatbelts
- Electronic stability programme with traction control
- Anti-lock braking system
- Full-height steel bulkhead
- Hill start assist
- Daytime running lights
- Remote control central deadlocking
- Keyless entry and start – standard on automatic models
- Engine deadlock immobiliser
- Electronically protected audio equipment

**For specific warranty details see Combo 4x4 prices page.

SPORTIVE



VX_COMV_28911.psd



VX_COMV_28913.tif



VX_COMV_28912.tif



VX_COMV_28952.tif

L1 PANEL VAN ON-THE-ROAD PRICES

EURO 6D (6.3)	OTR RRP exc. VAT	CO ₂ (g/km)	Insurance Group
Petrol			
2000 1.2 (110PS) Turbo Start/Stop	£19,883.33	121	tba
EURO 6D TEMP (6.2)			
Diesel			
2000 1.5 (75PS) Turbo D Start/Stop	£19,833.33	109	tba
2000 1.5 (100PS) Turbo D Start/Stop	£20,358.33	106	30E
2000 1.5 (130PS) Turbo D Start/Stop	£21,008.33	117	30E
2000 1.5 (130PS) Turbo D Start/Stop automatic	£22,908.33	114	30E
2300 1.5 (100PS) Turbo D Start/Stop	£20,708.33	108	28E
2300 1.5 (130PS) Turbo D Start/Stop 4x4**	£37,513.33	144	tba

L2 PANEL VAN ON-THE-ROAD PRICES

EURO 6D TEMP (6.2)			
Diesel			
2300 1.5 (100PS) Turbo D Start/Stop	£21,908.33	108	29A

Please note: On-the-road recommended retail prices (RRP) include number plates and delivery to Retailer of £583.33, 12 months' Vehicle Excise Duty (£265.00) and new vehicle first registration fee of £55.00. Excludes fuel and insurance.

FEATURES

Infotainment:

- AM/FM/DAB digital radio
- Bluetooth® audio streaming
- Bluetooth® mobile phone portal
- USB audio connection
- Four speakers
- Vauxhall Connect

Interior convenience/styling:

- Air conditioning
- Driver's top-lidded glovebox
- Six-way adjustable driver's seat with manual lumbar adjustment and armrest
- Four-way adjustable front passenger's seat
- Full-width overhead storage shelf
- Electronic cruise control
- Steering wheel mounted audio controls
- Steering column adjustable for reach and rake

Exterior convenience/styling:

- Electrically adjustable/heated door mirrors
- Electrically operated front windows with one-touch facility
- Nearside sliding side-access door
- Rear parking distance sensors
- Body-colour front and rear bumpers
- Twin solid rear doors • Metallic paint
- 16-inch steel wheels with 185/65 R16 tyres with full-diameter wheel trims
- Emergency tyre inflation kit

Safety/security:

- Driver's airbag
- Height-adjustable front lap and diagonal inertia-reel seatbelts
- Electronic stability programme with traction control
- Anti-lock braking system
- Full-height steel bulkhead • Hill start assist
- Daytime running lights
- Remote control central deadlocking
- Remote control security alarm system
- Keyless entry and start – standard on automatic models
- Engine deadlock immobiliser
- Electronically protected audio equipment

**For specific warranty details see Combo 4x4 prices page.

LIMITED EDITION NAV



VX_COMV_28954.psd



VX_COM_28922.tif



VX_COM_28486.tif



VX_COMV_28953_JOB_ONLY_WINDOWS.tif

L1 PANEL VAN ON-THE-ROAD PRICES

EURO 6D TEMP (6.2)	OTR RRP exc. VAT	CO ₂ (g/km)	Insurance Group
Diesel			
2000 1.5 (100PS) Turbo D Start/Stop	£21,558.33	106	29A
2000 1.5 (130PS) Turbo D Start/Stop	£22,208.33	117	tba
2300 1.5 (100PS) Turbo D Start/Stop	£21,908.33	108	30A

L2 PANEL VAN ON-THE-ROAD PRICES

EURO 6D TEMP (6.2)	OTR RRP exc. VAT	CO ₂ (g/km)	Insurance Group
Diesel			
2300 1.5 (100PS) Turbo D Start/Stop	£23,108.33	108	30A

Please note: On-the-road recommended retail prices (RRP) include number plates and delivery to Retailer of £583.33, 12 months' Vehicle Excise Duty (£265.00) and new vehicle first registration fee of £55.00. Excludes fuel and insurance.

FEATURES

Infotainment:

- Navi IntelliLink system
 - Fully integrated European sat nav system
 - 8-inch colour touchscreen
 - Voice control
 - AM/FM/DAB digital radio
 - Bluetooth® audio streaming
 - Bluetooth® mobile phone portal
 - USB audio connection
 - Second USB charging connection
 - Four speakers
- Vauxhall Connect

Interior convenience/styling:

- Air conditioning
- Driver's top-lidded glovebox
- Six-way adjustable driver's seat with manual lumbar adjustment and armrest
- Four-way adjustable front passenger's seat
- Full-width overhead storage shelf
- Electronic cruise control
- Steering wheel mounted audio controls
- Steering column adjustable for reach and rake

Exterior convenience/styling:

- Electrically adjustable/heated door mirrors
- Electrically operated front windows with one-touch facility
- Nearside sliding side-access door
- Rear parking distance sensors
- Body-colour door mirrors
- Body-colour side-protection mouldings
- Body-colour door handles
- Body-colour sliding side-access door rail cover
- Body-colour front and rear bumpers
- Front fog lights
- Protective front skid plate
- Twin solid rear doors
- Metallic paint
- 16-inch alloy wheels with 205/60 R16 tyres

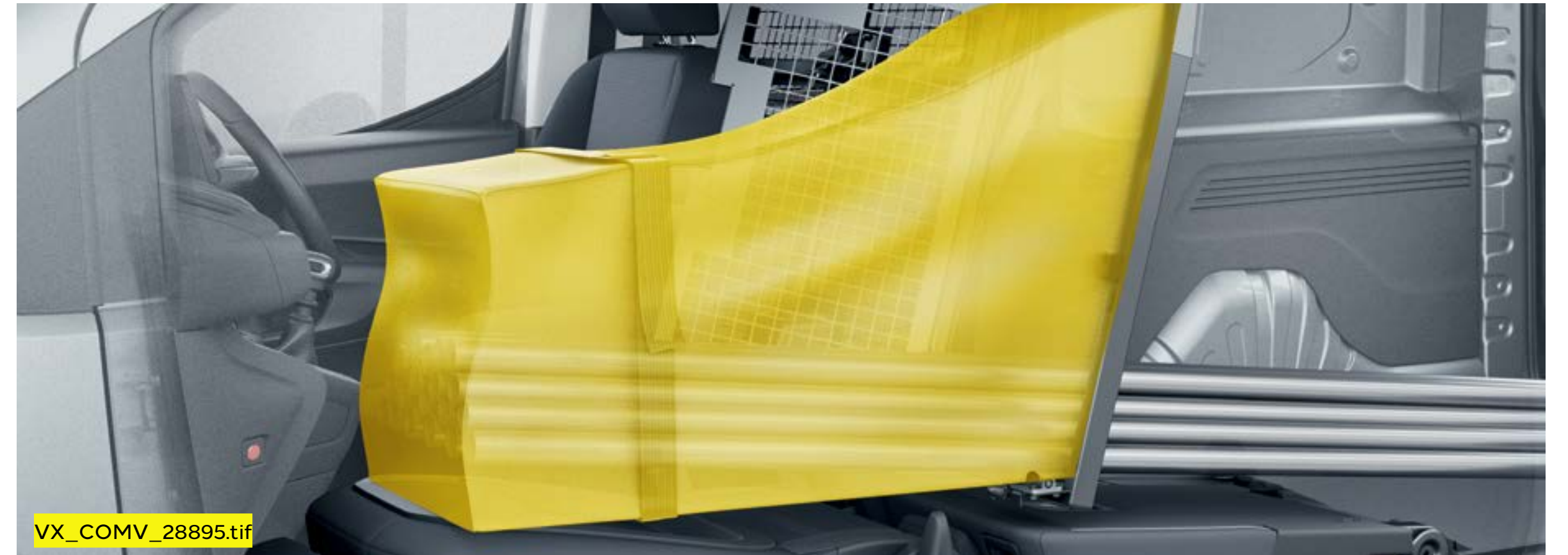
Safety/security:

- Driver's airbag
- Height-adjustable front lap and diagonal inertia-reel seatbelts
- Electronic stability programme with traction control
- Anti-lock braking system
- Full-height steel bulkhead
- Hill start assist
- Daytime running lights
- Remote control central deadlocking
- Remote control security alarm system
- Engine deadlock immobiliser
- Electronically protected audio equipment

CREW VAN



VX_COMV_28907.psd



VX_COMV_28895.tif

L2 CREW VAN EDITION ON-THE-ROAD PRICES

EURO 6D TEMP (6.2)	OTR RRP exc. VAT	CO ₂ (g/km)	Insurance Group
Diesel			
2300 1.5 (100PS) Turbo D Start/Stop	£21,558.33	111	tba

L2 CREW VAN SPORTIVE ON-THE-ROAD PRICES

EURO 6D TEMP (6.2)	OTR RRP exc. VAT	CO ₂ (g/km)	Insurance Group
Diesel			
2300 1.5 (100PS) Turbo D Start/Stop	£22,908.33	111	tba

Please note: On-the-road recommended retail prices (RRP) include number plates and delivery to Retailer of £583.33, 12 months' Vehicle Excise Duty (£265.00) and new vehicle first registration fee of £55.00. Excludes fuel and insurance.

The Combo Crew Van is classified as a Commercial Vehicle (Category N). It is not pre-approved for VAT reclaimable status and it is advisable that customers consult their local HMRC Office or visit www.hmrc.gov.uk for further details

FEATURES

Infotainment:

- AM/FM/DAB digital radio
- Bluetooth® audio streaming
- Bluetooth® mobile phone portal
- USB audio connection
- Four speakers
- Vauxhall Connect

Interior convenience/styling:

- Steering column adjustable for reach and rake
- Full-width overhead storage shelf
- Four-way adjustable driver's seat
- Four-way adjustable, folding front passenger's seat
- Three-seat second-row bench
- Vinyl load floor covering

Exterior convenience/styling:

- Electrically adjustable/heated door mirrors
- Electrically operated front windows with one-touch facility
- Nearside and offside sliding side-access doors
- Twin solid rear doors • Emergency tyre inflation kit
- Side-protection mouldings
- 16-inch steel wheels with 205/60 R16 tyres with centre caps

Safety/security:

- Driver's airbag
- Height-adjustable front lap and diagonal inertia-reel seatbelts

- Rear lap and diagonal seatbelts
- Electronic stability programme with traction control
- Anti-lock braking system
- Two-position moveable ladder frame bulkhead
- Hill start assist • Daytime running lights
- Remote control central deadlocking
- Engine deadlock immobiliser
- Electronically protected audio equipment

SPORTIVE MODELS

ADDITIONALLY FEATURE

Security:

- Remote control security alarm system

Interior convenience/styling:

- Steering wheel mounted audio controls
- Air conditioning
- Driver's top-lidded glovebox
- Height-adjustable driver's seat
- Manual lumbar adjustment
- Electronic cruise control

Exterior convenience/styling:

- Rear parking distance sensors
- Body-colour front and rear bumpers
- Metallic paint
- 16-inch steel wheels with 205/60 R16 tyres with full-diameter wheel trims

NEW COMBO CARGO PANEL VAN PRICES/WEIGHTS

	Pack Code	Minimum Mass (kg)*	Maximum indicative payload (kg)*	Gross Vehicle Weights (GVW) (kg)	Plated weights (kg)		Towing weights (kg) Braked	Plated Gross Combination Weights (GCW) (kg)	Price (£) exc. VAT	On-the-road RRP (£) exc. VAT
					Front axle	Rear axle				
L1 EDITION PANEL VAN EURO 6D (6.3)										
2000 1.2 (110PS) Start/Stop	DF05 EQ6B	1209	731	1940	1110	1075	1200	3140	17,630.00	18,533.33
L1 EDITION PANEL VAN EURO 6D TEMP (6.2)										
2000 1.5 (75PS) Turbo D Start/Stop	DF05 HG5B	1320	650	1970	1110	1075	1230	3200	17,580.00	18,483.33
2000 1.5 (100PS) Turbo D Start/Stop	DF05 HE5B	1320	665	1985	1200	1075	1350	3335	18,105.00	19,008.33
2000 1.5 (130PS) Turbo D Start/Stop	DF05 HG6B	1362	658	2020	1110	1075	1500	3520	18,755.00	19,658.33
2000 1.5 (130PS) Turbo D Start/Stop automatic	DF05 HD8B	1376	654	2030	1200	1075	1350	3380	20,705.00	21,608.33
2300 1.5 (75PS) Turbo D Start/Stop	DF05 HG5C	1320	1000	2320	1200	1400	880	3200	17,930.00	18,833.33
2300 1.5 (100PS) Turbo D Start/Stop	DF05 HE5C	1347	998	2345	1200	1400	1000	3345	18,455.00	19,358.33
2300 1.5 (130PS) Turbo D Start/Stop	DF05 HG6C	1368	1002	2370	1200	1400	1200	3570	19,105.00	20,008.33
2300 1.5 (130PS) Turbo D Start/Stop automatic	DF05 HD8D	1380	1000	2380	1200	1400	1000	3380	21,055.00	21,958.33

Please note: On-the-road recommended retail prices (RRP) include number plates and delivery to Retailer of £583.33, 12 months' Vehicle Excise Duty (£265.00) and new vehicle first registration fee of £55.00. Excludes fuel and insurance.

All Combo Vans include BlueInjection. Vehicles with BlueInjection technology will need regular AdBlue® top-ups also between servicing requirements. An indicator integrated into the on-board computer will warn you when you need to top up. More information under www.vauxhall.co.uk/adblue. In accordance with regulations R (EC) No. 715/2007 and R (EC) No. 692/2008 (in the versions respectively applicable).

Gross plated weights (including axle weights) quoted on the vehicle plate are to UK plated weight specification and must never be exceeded. Unbraked towing weight 600kg – all models.

*Minimum Mass for standard vehicles include coolant, oil and 90% full fuel tank. They will vary according to the vehicle specification (including trim, options and accessories) with a corresponding variation in payload.

NEW COMBO CARGO PANEL VAN PRICES/WEIGHTS

	Pack Code	Minimum Mass (kg)*	Maximum indicative payload (kg)*	Gross Vehicle Weights (GVW) (kg)	Plated weights (kg)		Towing weights (kg) Braked	Plated Gross Combination Weights (GCW) (kg)	Price (£) exc. VAT	On-the-road RRP (£) exc. VAT
					Front axle	Rear axle				
L1 SPORTIVE PANEL VAN EURO 6D (6.3)										
2000 1.2 (110PS) Start/Stop	DL05 EQ6S	1209	731	1940	1110	1075	1200	3140	18,980.00	19,883.33
L1 SPORTIVE PANEL VAN EURO 6D TEMP (6.2)										
2000 1.5 (75PS) Turbo D Start/Stop	DL05 HG5S	1320	650	1970	1110	1075	1230	3200	18,930.00	19,833.33
2000 1.5 (100PS) Turbo D Start/Stop	DL05 HE5S	1320	665	1985	1200	1075	1350	3335	19,455.00	20,358.33
2000 1.5 (130PS) Turbo D Start/Stop	DL05 HG6S	1362	658	2020	1110	1075	1500	3520	20,105.00	21,008.33
2000 1.5 (130PS) Turbo D Start/Stop automatic	DL05 HD8S	1376	654	2030	1200	1075	1350	3380	22,005.00	22,908.33
2300 1.5 (100PS) Turbo D Start/Stop	DL05 HE5T	1347	998	2345	1200	1400	1000	3345	19,805.00	20,708.33
L1 LIMITED EDITION NAV PANEL VAN EURO 6D TEMP (6.2)										
2000 1.5 (100PS) Turbo D Start/Stop	DL05 HE5L	1320	665	1985	1200	1075	1350	3335	20,655.00	21,558.33
2000 1.5 (130PS) Turbo D Start/Stop	DL05 HG6L	1362	658	2020	1110	1075	1500	3520	21,305.00	22,208.33
2300 1.5 (100PS) Turbo D Start/Stop	DL05 HE5J	1347	998	2345	1200	1400	1000	3345	21,005.00	21,908.33

Please note: On-the-road recommended retail prices (RRP) include number plates and delivery to Retailer of £583.33, 12 months' Vehicle Excise Duty (£265.00) and new vehicle first registration fee of £55.00. Excludes fuel and insurance.

All Combo Vans include BlueInjection. Vehicles with BlueInjection technology will need regular AdBlue® top-ups also between servicing requirements. An indicator integrated into the on-board computer will warn you when you need to top up. More information under www.vauxhall.co.uk/adblue. In accordance with regulations R (EC) No. 715/2007 and R (EC) No. 692/2008 (in the versions respectively applicable).

Gross plated weights (including axle weights) quoted on the vehicle plate are to UK plated weight specification and must never be exceeded. Unbraked towing weight 600kg – all models.

*Minimum Mass for standard vehicles include coolant, oil and 90% full fuel tank. They will vary according to the vehicle specification (including trim, options and accessories) with a corresponding variation in payload.

NEW COMBO CARGO PANEL VAN PRICES/WEIGHTS

	Pack Code	Minimum Mass (kg)*	Maximum indicative payload (kg)*	Gross Vehicle Weights (GVW) (kg)	Plated weights (kg)		Towing weights (kg) Braked	Plated Gross Combination Weights (GCW) (kg)	Price (£) exc. VAT	On-the-road RRP (£) exc. VAT
					Front axle	Rear axle				
L2 EDITION PANEL VAN EURO 6D TEMP (6.2)										
2300 1.5 (100PS) Turbo D Start/Stop	DF05 HE5D	1402	953	2355	1200	1400	1000	3355	19,655.00	20,558.33
2300 1.5 (130PS) Turbo D Start/Stop automatic	DF05 HD8F	1430	950	2380	1200	1400	1000	3380	22,255.00	23,158.33
L2 SPORTIVE PANEL VAN EURO 6D TEMP (6.2)										
2300 1.5 (100PS) Turbo D Start/Stop	DL05 HE5U	1402	953	2355	1200	1400	1000	3355	21,005.00	21,908.33
L2 LIMITED EDITION NAV PANEL VAN EURO 6D TEMP (6.2)										
2300 1.5 (100PS) Turbo D Start/Stop	DL05 HE5K	1402	953	2355	1200	1400	1000	3355	22,205.00	23,108.33

Please note: On-the-road recommended retail prices (RRP) include number plates and delivery to Retailer of £583.33, 12 months' Vehicle Excise Duty (£265.00) and new vehicle first registration fee of £55.00. Excludes fuel and insurance.

All Combo Vans include BlueInjection. Vehicles with BlueInjection technology will need regular AdBlue® top-ups also between servicing requirements. An indicator integrated into the on-board computer will warn you when you need to top up. More information under www.vauxhall.co.uk/adblue. In accordance with regulations R (EC) No. 715/2007 and R (EC) No. 692/2008 (in the versions respectively applicable).

Gross plated weights (including axle weights) quoted on the vehicle plate are to UK plated weight specification and must never be exceeded. Unbraked towing weight 600kg – all models.

*Minimum Mass for standard vehicles include coolant, oil and 90% full fuel tank. They will vary according to the vehicle specification (including trim, options and accessories) with a corresponding variation in payload.

NEW COMBO CARGO CREW VAN PRICES/WEIGHTS

	Pack Code	Minimum Mass (kg)*	Maximum indicative payload (kg)*	Gross Vehicle Weights (GVW) (kg)	Plated weights (kg)		Towing weights (kg) Braked	Plated Gross Combination Weights (GCW) (kg)	Price (£) exc. VAT	On-the-road RRP (£) exc. VAT
					Front axle	Rear axle				
L2 EDITION CREW VAN EURO 6D TEMP (6.2)										
2300 1.5 (100PS) Turbo D Start/Stop	DMC5 HE5D	1475	900	2375	1200	1400	1050	3425	20,655.00	21,558.33
L2 SPORTIVE CREW VAN EURO 6D TEMP (6.2)										
2300 1.5 (100PS) Turbo D Start/Stop	DMC5 HE5S	1475	900	2375	1200	1400	1050	3425	22,005.00	22,908.33

Please note: On-the-road recommended retail prices (RRP) include number plates and delivery to Retailer of £583.33, 12 months' Vehicle Excise Duty (£265.00) and new vehicle first registration fee of £55.00. Excludes fuel and insurance.

The Combo Crew Van is classified as a Commercial Vehicle (Category N). It is not pre-approved for VAT reclaimable status and it is advisable that customers consult their local HMRC Office or visit www.hmrc.gov.uk for further details.

All Combo Vans include BlueInjection. Vehicles with BlueInjection technology will need regular AdBlue® top-ups also between servicing requirements. An indicator integrated into the on-board computer will warn you when you need to top up. More information under www.vauxhall.co.uk/adblue. In accordance with regulations R (EC) No. 715/2007 and R (EC) No. 692/2008 (in the versions respectively applicable).

Gross plated weights (including axle weights) quoted on the vehicle plate are to UK plated weight specification and must never be exceeded. Unbraked towing weight 600kg – all models.

*Minimum Mass for standard vehicles include coolant, oil and 90% full fuel tank. They will vary according to the vehicle specification (including trim, options and accessories) with a corresponding variation in payload.

NEW COMBO CARGO 4X4 PRICES/WEIGHTS

	Pack Code	Minimum Mass (kg)*	Maximum indicative payload (kg)*	Gross Vehicle Weights (GVW) (kg)	Plated weights (kg)		Towing weights (kg) Braked	Plated Gross Combination Weights (GCW) (kg)	Price (£) exc. VAT	On-the-road RRP (£) exc. VAT
					Front axle	Rear axle				
L1 EDITION PANEL VAN EURO 6D TEMP (6.2)										
2300 1.5 (130PS) Turbo D Start/Stop 4x4	DF05 HG6X	1478	892	2370	1200	1400	1200	3570	35,260.00	36,163.33
L1 SPORTIVE PANEL VAN EURO 6D TEMP (6.2)										
2300 1.5 (130PS) Turbo D Start/Stop 4x4	DL05 HG6X	1478	892	2370	1200	1400	1200	3570	36,610.00	37,513.33
L2 EDITION PANEL VAN EURO 6D TEMP (6.2)										
2300 1.5 (130PS) Turbo D Start/Stop 4x4	DF05 HG6Z	1532	848	2380	1200	1400	1200	3580	36,460.00	37,363.33

Combo 4x4

Combo 4x4 is an approved 3rd party conversion that is included in this guide for ease of ordering:

- Converter warranty is 3 years/60k miles and is equivalent to base vehicle
- Oil servicing transfer box/rear axle 16k miles or 2 years

For Aftersales/Warranty information

Contact: assistance@dangel.com or +33 3 89 38 98 89

Please note: On-the-road recommended retail prices (RRP) include number plates and delivery to Retailer of £583.33, 12 months' Vehicle Excise Duty (£265.00) and new vehicle first registration fee of £55.00. Excludes fuel and insurance.

All Combo Vans include BlueInjection. Vehicles with BlueInjection technology will need regular AdBlue® top-ups also between servicing requirements. An indicator integrated into the on-board computer will warn you when you need to top up. More information under www.vauxhall.co.uk/adblue. In accordance with regulations R (EC) No. 715/2007 and R (EC) No. 692/2008 (in the versions respectively applicable).

Gross plated weights (including axle weights) quoted on the vehicle plate are to UK plated weight specification and must never be exceeded. Unbraked towing weight 600kg – all models.

*Minimum Mass for standard vehicles include coolant, oil and 90% full fuel tank. They will vary according to the vehicle specification (including trim, options and accessories) with a corresponding variation in payload.

NEW COMBO CARGO FUEL ECONOMY/EMISSIONS

	NEDC Fuel economy mpg (litres/100km) [#]				WLTP Fuel economy mpg (litres/100km) ^{##}			
	Urban	Extra-urban	Combined	CO ₂ (g/km) [#]	Combined Low	Combined High	CO ₂ (g/km) ^{##}	
							High	Low
L1 EDITION PANEL VAN EURO 6D (6.3)								
2000 1.2 (110PS) Turbo Start/Stop	44.8 (6.3)	57.6 (4.9)	52.3 (5.4)	123	44.0 (6.4)	51.0 (5.5)	160	145
L1 EDITION PANEL VAN EURO 6D TEMP (6.2)								
2000 1.5 (75PS) Turbo D Start/Stop	62.7 (4.5)	72.4 (3.9)	68.8 (4.1)	109	53.3 (5.3)	49.5 (5.7)	150	139
2000 1.5 (100PS) Turbo D Start/Stop	65.6 (4.3)	72.4 (3.9)	68.8 (4.1)	107	46.3 (6.1)	54.3 (5.2)	160	137
2000 1.5 (130PS) Turbo D Start/Stop	55.3 (5.1)	70.6 (4.0)	64.2 (4.4)	117	44.1 (6.4)	50.4 (5.6)	168	146
2000 1.5 (130PS) Turbo D Start/Stop automatic	61.4 (4.6)	68.6 (4.1)	65.6 (4.3)	114	42.8 (6.6)	48.7 (5.8)	173	152
2300 1.5 (75PS) Turbo D Start/Stop	62.7 (4.5)	72.4 (3.9)	68.8 (4.1)	109	53.3 (5.3)	49.5 (5.7)	150	139
2300 1.5 (100PS) Turbo D Start/Stop	64.2 (4.4)	72.4 (3.9)	68.8 (4.1)	108	46.3 (6.1)	54.3 (5.2)	160	137
2300 1.5 (130PS) Turbo D Start/Stop	55.3 (5.1)	70.6 (4.0)	64.2 (4.4)	117	44.1 (6.4)	50.4 (5.6)	168	146
2300 1.5 (130PS) Turbo D Start/Stop automatic	61.4 (4.6)	68.8 (4.1)	65.6 (4.3)	114	42.8 (6.6)	48.7 (5.8)	173	152
2300 1.5 (130PS) Turbo D Start/Stop 4x4	46.6 (6.1)	55.2 (5.1)	51.7 (5.5)	144	tba	41.3 (6.8)	179	tba
L1 SPORTIVE PANEL VAN EURO 6D (6.3)								
2000 1.2 (110PS) Turbo Start/Stop	45.5 (6.2)	58.5 (4.8)	53.3 (5.3)	121	44.0 (6.4)	51.0 (5.5)	160	145
L1 SPORTIVE PANEL VAN EURO 6D TEMP (6.2)								
2000 1.5 (75PS) Turbo D Start/Stop	62.7 (4.5)	72.4 (3.9)	68.8 (4.1)	109	53.3 (5.3)	49.5 (5.7)	150	139
2000 1.5 (100PS) Turbo D Start/Stop	65.6 (4.3)	74.3 (3.8)	70.6 (4.0)	106	46.3 (6.1)	54.3 (5.2)	160	137
2000 1.5 (130PS) Turbo D Start/Stop	55.3 (5.1)	70.6 (4.0)	64.2 (4.4)	117	44.1 (6.4)	50.4 (5.6)	168	146
2000 1.5 (130PS) Turbo D Start/Stop automatic	61.4 (4.6)	68.6 (4.1)	65.6 (4.3)	114	42.8 (6.6)	48.7 (5.8)	173	152
2300 1.5 (100PS) Turbo D Start/Stop	64.2 (4.4)	72.4 (3.9)	68.8 (4.1)	108	46.3 (6.1)	54.3 (5.2)	160	137
2300 1.5 (130PS) Turbo D Start/Stop 4x4	46.6 (6.1)	55.2 (5.1)	51.7 (5.5)	144	tba	41.3 (6.8)	179	tba

For fuel economy and CO₂ two sets of data are provided. All engines are validated to emissions standard Euro 6D Temp (6.2) which uses the newer WLTP cycle. This cycle is intended to be a closer representation to economy achieved in the real world and is included for this transparency. NEDC figures are not from the older cycle but in fact are a derived back-correlation calculation from the WLTP test data. Some systems and protocols such as the 2020 CO₂ target will use this figure, and hence it is included for this, and also to enable comparison to outgoing models.

[#]Fuel consumption and CO₂ emission data are determined using the Worldwide harmonised Light vehicles Test Procedure (WLTP), and the relevant values are translated back to allow the comparability into NEDC, according to regulations R (EC) No. 715/2007, R (EU) No. 2017/1153 and R (EU) No. 2017/1151. The values do not take into account in particular use and driving conditions, equipment or options and may vary depending on the format of tyres. For more information on official fuel consumption and CO₂ emission values, please read the guidelines at <http://vanfueldata.dft.gov.uk/>

^{##}Fuel consumption and CO₂ emission data are determined according to the WLTP test cycle. Full data relating to WLTP test cycles can be found at: www.vauxhall.co.uk/wltp

NEW COMBO CARGO FUEL ECONOMY/EMISSIONS

	NEDC Fuel economy mpg (litres/100km)#				WLTP Fuel economy mpg (litres/100km)##		CO ₂ (g/km)##	
	Urban	Extra-urban	Combined	CO ₂ (g/km)#	Combined Low	Combined High	High	Low
L1 LIMITED EDITION NAV PANEL VAN EURO 6D TEMP (6.2)								
2000 1.5 (100PS) Turbo D Start/Stop	65.5 (4.3)	74.3 (3.8)	70.6 (4.0)	106	46.3 (6.1)	54.3 (5.2)	160	137
2000 1.5 (130PS) Turbo D Start/Stop	55.3 (5.1)	70.6 (4.0)	64.2 (4.4)	117	44.1 (6.4)	50.4 (5.6)	168	146
2300 1.5 (100PS) Turbo D Start/Stop	64.2 (4.4)	72.4 (3.9)	68.8 (4.1)	108	46.3 (6.1)	54.3 (5.2)	160	137
L2 EDITION PANEL VAN EURO 6D TEMP (6.2)								
2300 1.5 (100PS) Turbo D Start/Stop	64.2 (4.4)	72.4 (3.9)	68.8 (4.1)	108	46.3 (6.1)	54.3 (5.2)	160	137
2300 1.5 (130PS) Turbo D Start/Stop automatic	61.4 (4.6)	68.6 (4.1)	65.6 (4.3)	114	42.8 (6.6)	48.7 (5.8)	173	152
2300 1.5 (130PS) Turbo D Start/Stop 4x4	46.6 (6.1)	55.2 (5.1)	51.7 (5.5)	144	tba	41.3 (6.8)	179	tba
L2 SPORTIVE PANEL VAN EURO 6D TEMP (6.2)								
2300 1.5 (100PS) Turbo D Start/Stop	64.2 (4.4)	72.4 (3.9)	68.8 (4.1)	108	46.3 (6.1)	54.3 (5.2)	160	137
L2 LIMITED EDITION NAV PANEL VAN EURO 6D TEMP (6.2)								
2300 1.5 (100PS) Turbo D Start/Stop	64.2 (4.4)	72.4 (3.9)	68.8 (4.1)	108	46.3 (6.1)	54.3 (5.2)	160	137
L2 EDITION CREW VAN EURO 6D TEMP (6.2)								
2300 1.5 (100PS) Turbo D Start/Stop	62.7 (4.5)	70.6 (4.0)	67.2 (4.2)	111	46.3 (6.1)	54.3 (5.2)	160	137
L2 SPORTIVE CREW VAN EURO 6D TEMP (6.2)								
2300 1.5 (100PS) Turbo D Start/Stop	62.7 (4.5)	70.6 (4.0)	67.2 (4.2)	111	46.3 (6.1)	54.3 (5.2)	160	137

For fuel economy and CO₂ two sets of data are provided. All engines are validated to emissions standard Euro 6D Temp (6.2) which uses the newer WLTP cycle. This cycle is intended to be a closer representation to economy achieved in the real world and is included for this transparency. NEDC figures are not from the older cycle but in fact are a derived back-correlation calculation from the WLTP test data. Some systems and protocols such as the 2020 CO₂ target will use this figure, and hence it is included for this, and also to enable comparison to outgoing models.

#Fuel consumption and CO₂ emission data are determined using the Worldwide harmonised Light vehicles Test Procedure (WLTP), and the relevant values are translated back to allow the comparability into NEDC, according to regulations R (EC) No. 715/2007, R (EU) No. 2017/1153 and R (EU) No. 2017/1151. The values do not take into account in particular use and driving conditions, equipment or options and may vary depending on the format of tyres. For more information on official fuel consumption and CO₂ emission values, please read the guidelines at <http://vanfueldata.dft.gov.uk/>

##Fuel consumption and CO₂ emission data are determined according to the WLTP test cycle. Full data relating to WLTP test cycles can be found at: www.vauxhall.co.uk/wltp

NEW COMBO CARGO FEATURES/OPTIONS

DRIVER ASSISTANCE

	Option code	Edition	Sportive	LE Nav	Price (£) exc. VAT	Price (£) inc. VAT
Mechanical parking brake • Floor-mounted handbrake lever		●	●	●		
Electronic cruise control with speed limiter	K33	○	●	●	150.00	180.00
Adaptive Cruise Control with speed limiter and intelligent speed adaptation – Diesel manual models. Only available in conjunction with Winter and Safety Pack	K38	○	○	○	250.00	300.00
Parking sensors • Rear parking distance sensors • Audible warning	UD7	○	●	●	200.00	240.00
Parking Pack Intelligent ultrasonic sensors form part of the solution for today's crowded roads and car parks. Delivering exceptional assistance both when parking and protecting you on the open road – Only available in conjunction with solid rear doors and Multimedia/Multimedia Navi Pro. Not available on Crew Van • Front and rear parking distance sensors • Surround rear vision • Electrically adjustable/heated/power-folding door mirrors • Front fog lights (standard on LE Nav)	OLC	○	○	○	666.67	800.00
Sight and Light Pack • High beam assist • Rain-sensitive windscreen wipers • 3.5-inch colour information display – Includes driver drowsiness indicator • Automatic anti-dazzle rear-view mirror – Only available when glazed rear door option is specified Standard on automatic models	CWX	○	○	○	145.83	175.00

● = Standard equipment. ○ = Optional at extra cost.

NEW COMBO CARGO FEATURES/OPTIONS

DRIVER ASSISTANCE CONTINUED

	Option code	Edition	Sportive	LE Nav	Price (£) exc. VAT	Price (£) inc. VAT
Head-up display <ul style="list-style-type: none"> • Navigation directions • Speedometer • Rev counter • Set speed of cruise control and speed limiter • Forward collision alert - Only available in conjunction with optional audio units. Projects key information onto the windscreen so that the driver's eyes remain on the road at all times. The display is adjustable for height and brightness 	UV6		○	○	300.00	360.00
Construction Pack with IntelliGrip <p>Improved protection and grip with engine sump guard/shield and Michelin Latitude Tour Mud and Snow tyres. IntelliGrip traction control is designed to increase grip in difficult conditions without the additional weight of a conventional four-wheel drive system. It's an innovative grip control system that provides improved traction on certain terrain and conditions through a combination of optimised torque distribution and limited wheel spin, managed through the electronic stability programme</p> <ul style="list-style-type: none"> • Underride protection • 215/65 R16 tyres • Increased chassis height (+30mm) • IntelliGrip: A choice of five selectable modes to suit the driving conditions: ESP on, ESP off, snow, mud, sand - Not available on 4x4 models 	HMG (includes PS4)	○			775.00	930.00

○ = Optional at extra cost.

NEW COMBO CARGO FEATURES/OPTIONS

SAFETY

	Option code	Edition	Sportive	LE Nav	Price (£) exc. VAT	Price (£) inc. VAT
Driver/passenger airbags		●	●	●		
• Driver's airbag						
• Driver and front passenger's airbag – Standard on automatic models and when keyless entry and start is specified on LE Nav models.	AK5	○	○	○	120.00	144.00
• Driver and front passenger's side-impact airbags	AJ7	○	○	○	390.00	468.00
• Driver and front passenger's side-impact and curtain airbags – Not available on Crew Van.	AKB	○	○	○	490.00	588.00
Seatbelts						
• Height-adjustable lap and diagonal inertia-reel front seatbelts • Three lap and diagonal inertia-reel rear seatbelts (Crew Van) • Front body-lock diagonal seatbelt pretensioner system – Tightens the seatbelt during the early stages of a frontal impact. • Drivers and front passenger's lap belt pretensioner system • Front seatbelt force limiters – Reduces potential upper body injuries during a frontal impact. • Anti-submarining ramps in front seats – Help prevent occupants sliding underneath the lap belt during a collision.		●	●	●		
Child safety						
• Deactivation switch for front passenger's front and side-impact airbags (when specified) – Permits the safe use of a child seat in the front passenger seat.		●	●	●		
Driver/passenger safety						
• Energy-absorbing steering column • Side-impact protection beams • Reinforced passenger safety cell • Deformation zones front and rear		●	●	●		
Braking and stability						
• Electronic stability programme • Anti-lock braking system • Corner stability control • Traction control • Hill start assist • Engine drag torque control – Improves directional stability by preventing the driven wheels from locking on slippery surfaces under the influence of engine braking. • Emergency brake assist • Electronic brakeforce distribution		●	●	●		
Tyre pressure						
• Deflation detection system	UJO	○	○	○	185.00	222.00
Overload indicator						
Prevents risk of overloading. Avoids risk of a fine for exceeding the load limit. – Not available on 4x4 or Crew Van models.	J89	○	○	○	260.00	312.00

● = Standard equipment. ○ = Optional at extra cost.

NEW COMBO CARGO FEATURES/OPTIONS

SAFETY CONTINUED

	Option code	Edition	Sportive	LE Nav	Price (£) exc. VAT	Price (£) inc. VAT
Bulkhead • Full-height steel bulkhead		●	●	●		
• Full-height steel bulkhead with window – Panel Van.	AX9	○	○	○	175.00	210.00
• Two-position moveable ladder frame bulkhead – Crew Van.		●	●			
Safety Pack – Standard on automatic models. Requires electronic cruise control or adaptive cruise control with speed limiter and intelligent speed adaptation. Not available on 4x4 models						
Front camera system A range of class-leading driver assistance and safety features are controlled by the front camera system.						
Lane keep assist with lane departure warning If the driver has not actively steered or signalled, the lane departure warning system provides gentle steering correction and warns when the vehicle moves outside of lane markings at speeds above 40mph. • Warning light in instrument cluster • Audible warning • Facia on/off switch						
Speed sign recognition Detects and then displays speed limits, reducing uncertainty and the risk of speeding.	B26	○	○	○	570.00	684.00
Driver drowsiness system The system monitors driving time and driving behaviour to help prevent accidents caused by tiredness.						
Forward collision alert The system operates automatically from 3mph and gives an audible warning as well as a visual warning when approaching another vehicle too quickly.						
Automatic emergency braking with pedestrian detection The system works automatically in conjunction with forward collision alert, at speeds between 3mph and 70mph, and detects both vehicles and pedestrians. If no avoiding action is taken by the driver, at speeds below 19mph the system automatically slows the vehicle to a full stop with emergency braking of 0.9g. At speeds from 19mph to 70mph it brakes automatically to reduce speed by a maximum of 30mph – to reduce speed even further the driver must brake him/herself. The operational speed range of the system depends on the detected obstacle (mobile target: from 3 to 53mph; fixed target: from 3 to 70mph; pedestrian: from 3 to 37mph). Vauxhall driver assistance systems are intended to support the driver within the system-imminent limitations. The driver remains responsible for the driving task.						

● = Standard equipment. ○ = Optional at extra cost.

NEW COMBO CARGO FEATURES/OPTIONS

SECURITY

	Option code	Edition	Sportive	LE Nav	Price (£) exc. VAT	Price (£) inc. VAT
Standard security features <ul style="list-style-type: none"> • Electronically protected audio equipment • Engine deadlock immobiliser • Visible Vehicle Identification Number (VIN) • Locking wheel bolts for alloy wheels (where fitted) 		●	●	●		
Remote control central locking <ul style="list-style-type: none"> • Operates on all doors and fuel filler flap • Deadlocking • Driver's internal central locking activation switch • Two folding keys, each with integral remote control function 		●	●	●		
Remote control security alarm system <ul style="list-style-type: none"> • Remote control – Operates in conjunction with central locking. • Bonnet protection – Prevents access to the engine bay. • Visible security LED on fascia • Load area protection – Monitors the load compartment preventing access. • Door protection – Monitors the position of all doors. • Ultrasonic intrusion sensor • Power alarm sounder • Vehicle theft attempt and diagnostic indication – Shows in the display any attempt to enter or steal the vehicle during driver absence. 	PS6	○	●	●	150.00	180.00
Keyless entry and start Standard on automatic models. Only available on LE Nav models when one of the FlexCargo options is specified.	ATH			○	200.00	240.00

● = Standard equipment. ○ = Optional at extra cost.

NEW COMBO CARGO FEATURES/OPTIONS

DRIVER INFORMATION

	Option code	Edition	Sportive	LE Nav	Price (£) exc. VAT	Price (£) inc. VAT
Instrumentation <ul style="list-style-type: none"> • Speedometer • Rev counter • Fuel gauge with low fuel level warning light • Water temperature gauge with warning light • Shift-up indication light (manual models only) – Indicates when to change gear for optimum fuel economy. 		●	●	●		
Driver information display Centrally located in instrument cluster. <ul style="list-style-type: none"> • Displays trip computer data • Total mileage • Service-due indicator 		●	●	●		
Multi-function trip computer Displayed on driver information display. <ul style="list-style-type: none"> • Trip mileage • Vehicle range based on remaining fuel • Average speed • Average fuel economy • Instantaneous fuel economy 		●	●	●		
Central facia display Format dependent on infotainment unit. <ul style="list-style-type: none"> • Audio information • Digital clock with automatic RDS time adjustment • Outside air temperature with ice warning function • Additional features dependent on infotainment unit – See infotainment for details 		●	●	●		

● = Standard equipment.

NEW COMBO CARGO FEATURES/OPTIONS

SEATING AND COMFORT

	Option code	Edition	Sportive	LE Nav	Price (£) exc. VAT	Price (£) inc. VAT
Adjustable steering column • Reach and rake-adjustable steering column		●	●	●		
Driver's seat 4-way adjustable. • Reach • Backrest recline		●				
Driver's seat 6-way adjustable. • Height • Reach • Manual lumbar adjustment • Armrest	XFCF (was AM1)	○	●	●	250.00	300.00
Front passenger's seat 4-way adjustable. • Reach • Backrest recline • Manual lumbar adjustment						
Front passenger's seat • Fixed • Underseat storage		●				
Front passenger's seat – Crew Van models. 4-way adjustable and foldable. • Reach • Backrest recline		●	●			
Second-row – Crew Van models. • Three-person layout • 60/40 split-folding rear seat • Fold and tumble facility • Height-adjustable and removable head restraints		●	●			
Seat trim • Mistral Grey with Curitiba fabric seat trim inserts		●	●	●		

● = Standard equipment. ○ = Optional at extra cost.

NEW COMBO CARGO FEATURES/OPTIONS

SEATING AND COMFORT CONTINUED

	Option code	Edition	Sportive	LE Nav	Price (£) exc. VAT	Price (£) inc. VAT
FlexCargo Pack <hr/> Panel Van. • Dual front passengers' fixed bench seat • Fold-flat centre seat backrest with table • Two-way foldable outer seat • Load-through bulkhead • Electric parking brake • 'Seatbelt unfastened' audible warning and warning light – Manual models only. Includes 6-way adjustable driver's seat on Edition models	AYW	○	○	○	510.00	612.00
FlexCargo Glazed Pack <hr/> Panel Van. • Dual front passengers' fixed bench seat • Fold-flat centre seat backrest with table • Two-way foldable outer seat • Load-through glazed bulkhead • Electric parking brake • 'Seatbelt unfastened' audible warning and warning light – Manual models only. Available only when glazed rear door option is specified Includes 6-way adjustable driver's seat on Edition models	AYV	○	○	○	575.00	690.00

○ = Optional at extra cost.

NEW COMBO CARGO FEATURES/OPTIONS

HEATING AND VENTILATION

	Option code	Edition	Sportive	LE Nav	Price (£) exc. VAT	Price (£) inc. VAT
Cab heating <ul style="list-style-type: none"> • Six-speed fan • Illuminated controls • Four adjustable facia vents • Windscreen demist vents • Side window demist vents 		●	●	●		
Air conditioning <ul style="list-style-type: none"> • Air recirculation facility • Cabin particulate filter – Removes dust, airborne particles and pollen 	C60	○	●	●	600.00	720.00
Electronic climate control including air conditioning <ul style="list-style-type: none"> • Dual-zone control – allowing different temperature settings for driver and front passenger • Advanced predictive logic control system using sun sensors • Partial air recirculation – faster warm up/cool down. • Cabin particulate filter – removes dust, airborne particles and pollen • Automatic air direction and fan speed with manual override • LCD temperature display • Illuminated controls – Only available when the Sight and Light Pack is specified 	CJ2		○	○	200.00	240.00
Winter Pack <ul style="list-style-type: none"> • Heated outer front seats • Heated leather-covered steering wheel – Only available when cruise control and Safety Pack are specified. Not available on automatic or Crew Van models 	XIBV		○	○	208.33	250.00

● = Standard equipment. ○ = Optional at extra cost.

NEW COMBO CARGO FEATURES/OPTIONS

INTERIOR CONVENIENCE AND STORAGE

	Option code	Edition	Sportive	LE Nav	Price (£) exc. VAT	Price (£) inc. VAT
Mirrors <ul style="list-style-type: none"> • Dipping rear-view mirror – When glazed bulkhead and rear doors are specified • Driver’s and front passenger’s sunvisors • Vanity mirror on rear of driver’s sunvisor 		●	●	●		
Front compartments <ul style="list-style-type: none"> • Two facia-mounted drinks holders • Two drinks holders in centre console • Large open storage pocket behind infotainment screen • Small open storage compartment behind gear lever • Two large and two small open door pockets • Open storage compartment below glovebox • Full-width overhead storage shelf with ambient lighting 		●	●	●		

● = Standard equipment.

NEW COMBO CARGO FEATURES/OPTIONS

LOAD AREA

	Option code	Edition	Sportive	LE Nav	Price (£) exc. VAT	Price (£) inc. VAT
Load floor covering – Panel Van only. • Plywood load floor covering	CRJ	○	○	○	180.00	216.00
• Vinyl load floor covering – Standard on Crew Van models	CRK	○	○	○	60.00	72.00
Illuminated load area		●	●	●		
Fixed floor-mounted load restraint lashing eyes – Six.		●	●	●		
LED illuminated load area – Panel Van only.	8G8	○	○	○	200.00	240.00
Side access – Unglazed. • Nearside sliding side-access door – L1 models		●	●	●		
• Nearside and offside sliding side-access doors – Standard on L2 and Crew Van models.	CVM	○	○	○	220.00	264.00
Side access – Glazed. Panel Van only. • Fixed window in nearside sliding side-access door • Fixed window in opposite panel – L1 models	BSB	○	○	○	320.00	384.00
Side access – Glazed. Panel Van only. • Offside sliding side-access door • Fixed window in nearside sliding side-access door • Fixed window in offside sliding side-access door – L1 models	BSA	○	○	○	540.00	648.00
Side access – Glazed. Panel Van only. • Fixed window in nearside sliding side-access door • Fixed window in offside sliding side-access door – L2 models	BSB	○	○	○	320.00	384.00
Rear access – Unglazed. • Twin solid rear doors		●	●	●		
Rear access – Glazed. • Twin glazed rear doors – Only available with glazed bulkhead options	J1X	○	○	○	160.00	192.00

● = Standard equipment. ○ = Optional at extra cost.

NEW COMBO CARGO FEATURES/OPTIONS

INFOTAINMENT

	Option code	Edition	Sportive	LE Nav	Price (£) exc. VAT	Price (£) inc. VAT
Radio Onboard features: <ul style="list-style-type: none"> • AM/FM stereo radio • DAB Digital radio • RDS with Traffic Programme • 20 watts per channel output • Four speakers Media connections: <ul style="list-style-type: none"> • USB connection with iPod control • Bluetooth® A2DP audio streaming (Advanced Audio Distribution Profile) Mobile phone portal: <ul style="list-style-type: none"> • Bluetooth® connectivity • Handsfree calls via steering wheel controls • Vehicle microphone 		●	●			
Multimedia Onboard features: <ul style="list-style-type: none"> • 8-inch colour touchscreen • AM/FM stereo radio with 25 station presets • DAB Digital radio • RDS with Traffic Programme • 20 watts per channel output • Four speakers Media connections: <ul style="list-style-type: none"> • USB connection with iPod control • Bluetooth® A2DP audio streaming (Advanced Audio Distribution Profile) Mobile phone portal: <ul style="list-style-type: none"> • Bluetooth® connectivity • Handsfree calls via steering wheel controls • Vehicle microphone • Phone book access – Contacts/last calls/missed calls etc. are mirrored on the display and are easily navigated using the touchscreen (features dependent on mobile phone). Smartphone interface: <ul style="list-style-type: none"> • Apple CarPlay™ • Android Auto™ – Smartphone projection that allows operations via voice command, touchscreen and buttons to control apps and music playback. 	i05	○	○		300.00	360.00

● = Standard equipment. ○ = Optional at extra cost.

NEW COMBO CARGO FEATURES/OPTIONS

INFOTAINMENT CONTINUED

	Option code	Edition	Sportive	LE Nav	Price (£) exc. VAT	Price (£) inc. VAT
<p>Multimedia Navi Pro – Requires electronic cruise control or adaptive cruise control with speed limiter and intelligent speed adaptation.</p> <p>Onboard features:</p> <ul style="list-style-type: none"> • 8-inch colour touchscreen • AM/FM stereo radio with 25 station presets • DAB Digital radio • RDS with Traffic Programme • 20 watts per channel output • Four speakers <p>Navigation features:</p> <ul style="list-style-type: none"> • Satellite navigation system • 3D street level mapping • European coverage • Structured or one-box destination entry • Points-of-interest search • Eco routing • Map updates via USB <p>Media connections:</p> <ul style="list-style-type: none"> • USB connection with iPod control • Bluetooth® A2DP audio streaming (Advanced Audio Distribution Profile) <p>Mobile phone portal:</p> <ul style="list-style-type: none"> • Bluetooth® connectivity • Handsfree calls via steering wheel controls • Vehicle microphone • Phone book access – Contacts/last calls/missed calls etc. are mirrored on the display and are easily navigated using the touchscreen (features dependent on mobile phone) <p>Smartphone interface:</p> <ul style="list-style-type: none"> • Apple CarPlay™ • Android Auto™ – Smartphone projection that allows operations via voice command, touchscreen and buttons to control apps and music playback 	IO6	○	○	●	700.00	840.00
<p>Steering wheel mounted audio controls</p> <p>– Standard on automatic Edition models.</p>			●	●		
<ul style="list-style-type: none"> • 12-volt electrical accessory socket – Centre console. • 12-volt electrical accessory socket – Passenger side. • USB charging point in glovebox • USB charging/infotainment points – Infotainment unit and rear of centre console 		●	●	●		
<p>230-volt electrical accessory socket – In lieu of passenger side 12-volt electrical accessory socket.</p>	KI5	○	○	○	100.00	120.00
<p>Wireless charger for mobile devices – Inductive wireless charging facility in lower fascia.</p>	K4C	○	○	○	80.00	96.00
<p>Vauxhall Connect</p>		●	●	●		

● = Standard equipment. ○ = Optional at extra cost.

NEW COMBO CARGO FEATURES/OPTIONS

EXTERIOR STYLING AND CONVENIENCE	Option code	Edition	Sportive	LE Nav	Price (£) exc. VAT	Price (£) inc. VAT
Body styling • Nearside sliding side-access door • Twin solid rear doors • Side-protection mouldings		●	●	●		
• Body-colour front and rear bumper			●	●		
• Body-colour door mirrors • Body-colour side-protection mouldings • Body-colour door handles • Protective front skid plate • Body-colour sliding side-access door rail cover				●		
Windscreen/windows • Solar heat-absorbing windscreen • Two-speed windscreen wipers with variable intermittent wipe • Electrically operated front windows with safety autoreverse and one-touch facility • Tinted windows		●	●	●		
Door mirrors • Twin electrically adjustable/heated door mirrors • Manually folding door mirrors		●	●	●		
Front fog lights				●		
Tow bar pre-installation kit – Not available on 4x4 models.	JNK	○	○	○	410.00	492.00
Tow bar – Requires Tow bar pre-installation kit. – Not available on 4x4 models.	VTO	○	○	○	210.00	252.00
Roof rails	E2R	○	○	○	125.00	150.00
4x4 Plus Pack (4x4 models only) • Rear differential locking • Increased ride height +20 mm (Indicative 205mm ground clearance) • Tyres – Mud & Snow (3PMSF) 215/65 R 16	XZSW	○	○		3,166.67	3,800.00

● = Standard equipment. ○ = Optional at extra cost.




NEW COMBO CARGO EXTERIOR COLOURS

				Edition	Sportive	LE Nav	Price (£) exc. VAT	Price (£) inc. VAT
Solid	 VX_COL_OnyxBlack_G7R.psd	Onyx Black (G7R)	 VX_COL_White_Jade_G20.psd	Jade White (G20)	●	●	●	
	 VX_COL_MoonstoneGrey_G40.psd	Moonstone Grey metallic (G40)	 VX_COL_NightBlue_GBT.psd	Night Blue metallic (GBT)	○	N/C	N/C	475.00
Two-coat	 VX_COL_QuartzGrey_G4i.psd	Quartz Grey metallic (G4I)						

The colours reproduced may vary slightly from the actual paint colour. As a result they should be used as a guide only. Your Vauxhall Retailer has a comprehensive display of our paint samples.

● = Standard equipment. ○ = Optional at extra cost. N/C = No-cost option.

NEW COMBO CARGO WHEELS AND TYRES

	Option code	Edition	Sportive	LE Nav	Price (£) exc. VAT	Price (£) inc. VAT
15-inch steel spare wheel • 185/65 R 15 tyres • In lieu of emergency tyre inflation kit (2000 models)		N/C			No-cost option	
16-inch steel spare wheel • 205/60 R 16 tyres • In lieu of emergency tyre inflation kit (2300/Sportive/LE Nav models)		N/C	N/C	N/C	No-cost option	
 <p>15-inch steel wheels with centre caps (2000 models)</p> <ul style="list-style-type: none"> • 185/65 R 15 tyres • Emergency tyre inflation kit (in lieu of spare wheel) <p>16-inch steel wheels with centre caps (2300 models)</p> <ul style="list-style-type: none"> • 205/60 R 16 tyres • Emergency tyre inflation kit (in lieu of spare wheel) <p><small>VX_COM_28907.psd</small></p>		●				
 <p>16-inch steel wheels with full-diameter wheel trims (2300 models)</p> <ul style="list-style-type: none"> • 205/60 R 16 tyres • Emergency tyre inflation kit (in lieu of spare wheel) <p><small>VX_COM_28612_RRY.psd</small></p>			●			
 <p>16-inch alloy wheels</p> <ul style="list-style-type: none"> • 205/60 R 16 tyres • Emergency tyre inflation kit (in lieu of spare wheel) <p><small>VX_COM_28555_RRZ.psd</small></p>	RRZ		○	●	400.00	480.00

● = Standard equipment. ○ = Optional at extra cost. N/C = No-cost option.

NEW COMBO CARGO 4X4 WHEELS AND TYRES

	16-inch steel wheels with centre caps <ul style="list-style-type: none"> • 215/65 R 16 worksite tyres • Emergency tyre inflation kit (in lieu of spare wheel) 	Option code	Edition	Sportive	Price (£) exc. VAT	Price (£) inc. VAT
			●	●		

● = Standard equipment.

NEW COMBO CARGO SPECIFICATIONS

Transmission

- Front-wheel drive
- Five-speed manual gearbox 1.5 (75/100PS) Turbo D models
- Six-speed manual gearbox – 1.5 (130PS) Turbo D/1.2 (110PS) Turbo models
- Eight-speed automatic transmission – available on 1.5 (130PS) Turbo D/1.2 (130PS) Turbo* models

Replacing the traditional lever, the automatic transmission selection-mode dial/drive wheel is an innovative solution that is both elegant and intuitive. By simply twisting the dial, the following modes can be selected:

- Park, for when the vehicle is stationary and the wheels are locked
- Drive, for automatic forward motion
- Neutral, for when the vehicle is stationary, wheels are free
- Reverse, for automatic backward motion

For an extra experience of dynamism, the shift paddles for automatic transmissions are located behind the steering wheel, offering drivers an extra level of control that is highly ergonomic and intuitive. The shift paddles function in the following way:

- To go up a gear, the driver must pull the right lever towards themselves
- To go down a gear, the driver must pull the left lever towards themselves**

Steering

- Speed-sensitive electric power-assisted system
- Turning circle (kerb-to-kerb) – 11.0m (36 ft) L1 models, 11.8m (38.7 ft) L2 models

Suspension

Front: Independent. MacPherson struts with gas-pressure dampers and linear-rate coil springs. Anti-roll bar

Rear: Torsion beam with gas-pressure dampers and constant-rate coil springs (variable-rate on 2300 models)

Roof Loads

- New Combo roof load should not exceed 100kg including the weight of the roof rack/carrier

Fuel Tank Capacity

- 61 litres (13.0 gallons) – Petrol models*
- 50 litres (10.9 gallons) – Diesel models

AdBlue Tank Capacity

- 17 Litres (3.7 gallons)

NEW COMBO CARGO PETROL ENGINE

Engine	1.2 (110PS) Turbo Start/Stop
Capacity	1199cc
Maximum power	110PS (81kW) @ 5500rpm
Maximum torque	205Nm (151 lb.ft.) @ 1750rpm
Configuration	3 cylinders, 4 valves per cylinder, double overhead camshafts
Fuel/induction system	Turbocharger. Variable Valve Timing. Direct fuel injection
Emission compliance	Euro 6D (6.3)
Service interval	12,500 miles or 1 year (whichever occurs sooner)

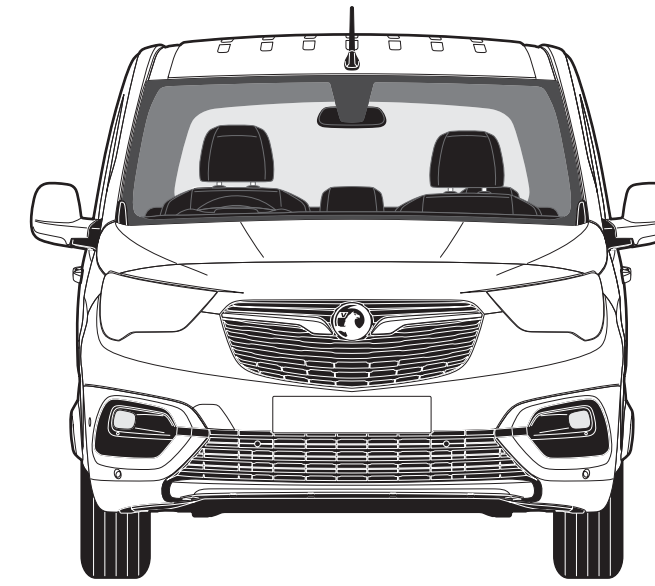
NEW COMBO CARGO DIESEL ENGINES

Engine	1.5 (75PS) Turbo D Start/Stop BlueInjection	1.5 (100PS) Turbo D Start/Stop BlueInjection	1.5 (130PS) Turbo D Start/Stop BlueInjection
Capacity	1499cc	1499cc	1499cc
Maximum power	75PS (55kW) @ 3500rpm	100PS (75kW) @ 3500rpm	130PS (96kW) @ 3750rpm
Maximum torque	230Nm (170 lb.ft.) @ 1750rpm	250Nm (184 lb.ft.) @ 1750rpm	300Nm (221 lb.ft.) @ 1750rpm
Configuration	4 cylinders, 4 valves per cylinder, double overhead camshafts	4 cylinders, 4 valves per cylinder, double overhead camshafts	4 cylinders, 4 valves per cylinder, double overhead camshafts
Fuel/induction system	Turbocharger with intercooler. Common rail fuel injection	Variable-nozzle turbocharger with electric switching. Common rail direct injection	Variable-nozzle turbocharger with electric switching. Common rail direct injection
Emission compliance	Euro 6d-TEMP (6.2) with Diesel Particulate Filter	Euro 6d-TEMP (6.2) with Diesel Particulate Filter	Euro 6d-TEMP (6.2)
Service interval	25,000 miles or 2 years (whichever occurs sooner)	25,000 miles or 2 years (whichever occurs sooner)	25,000 miles or 2 years (whichever occurs sooner)

Vehicles with BlueInjection technology will need regular AdBlue® top-ups also between servicing requirements. An indicator integrated into the on-board computer will warn you when you need to top up. More information under www.vauxhall.co.uk/adblue
 In accordance with regulations R (EC) No. 715/2007 and R (EC) No. 692/2008 (in the versions respectively applicable).

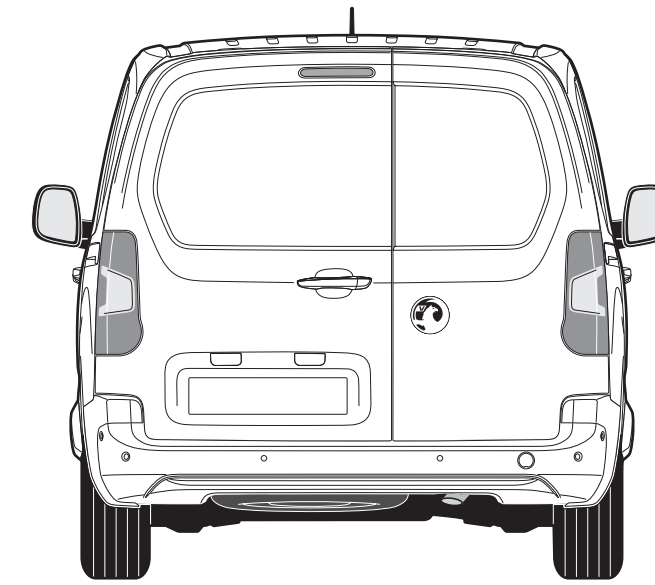
NEW COMBO CARGO DIMENSIONS

Loadspace Dimensions	Panel Van		Crew Van
	L1	L2	L2
Load length	1527 (60.1) – 1817 (71.5)	1877 (73.9) – 2167 (85.3)	1051 (41.4) – 2110 (83.1)
Load length – With ‘load through’	3090 (121.7)	3440 (135.4)	3050 (120.1)
Maximum load height	1236 (48.7)	1243 (48.9)	1243 (48.9)
Load width – With nearside side-access door	1630 (64.2)	-	-
Load width – With nearside and offside side-access doors	1527 (60.1)	1527 (60.1)	1527 (60.1)
Maximum width between wheel arches	1229 (48.4)	1229 (48.4)	1229 (48.4)
Loading height	548 (21.6) – 610 (24.0)	548 (21.6) – 610 (24.0)	620 (24.4)
Maximum rear door aperture width	1241 (48.9)	1241 (48.9)	1241 (48.9)
Maximum rear door aperture height	1196 (47.1)	1196 (47.1)	1196 (47.1)
Maximum side-access aperture width	675 (26.6)	675 (26.6)	759 (29.9)
Maximum side-access aperture height	1072 (42.2)	1072 (42.2)	1072 (42.2)
Loadspace Volumes cu.m (cu.ft.)			
Panel Van	3.3 (116.5)	3.9 (137.7)	-
Panel Van – With ‘load through’	3.8 (134.2)	4.4 (155.4)	-
Crew Van – With seats folded	-	-	4.0 (141.2)
Crew Van – With seats up (to top of seats)	-	-	1.8 (63.6)
Crew Van – With seats up (to roof)	-	-	3.5 (123.6)



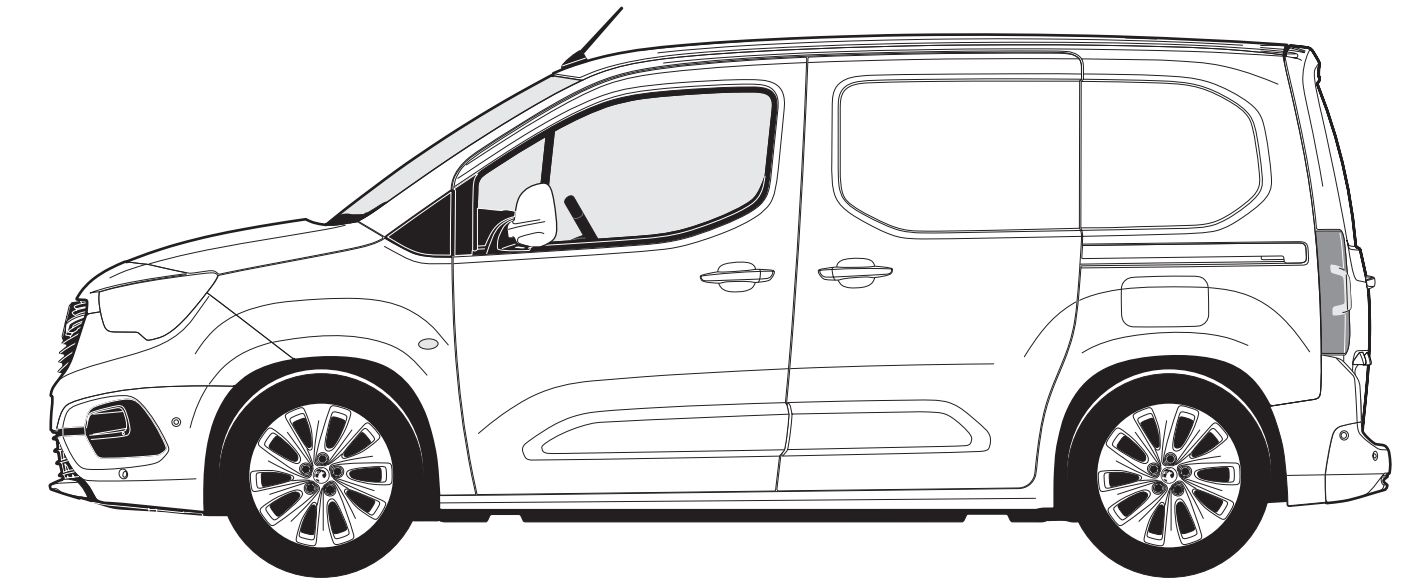
1848 (72.7) excluding door mirrors
2107 (83.0) including door mirrors

1796-1860 (70.7-73.2)



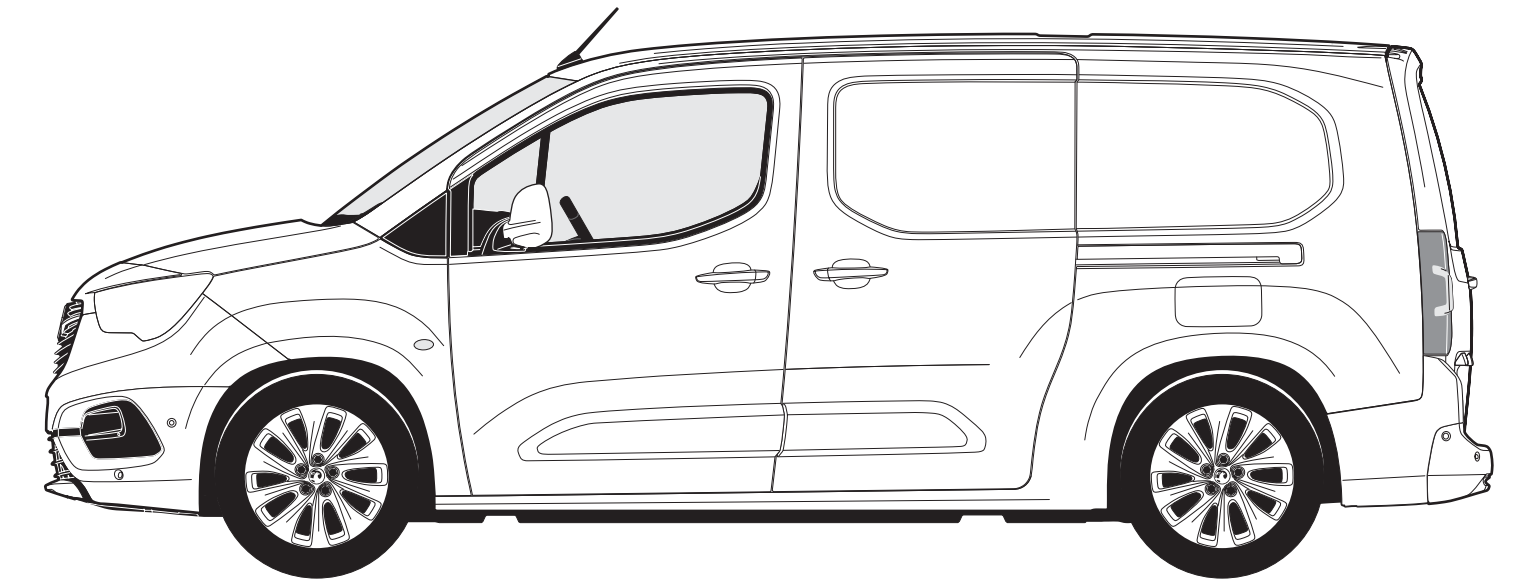
1848 (72.7) excluding door mirrors
2107 (83.0) including door mirrors

1812-1860 (71.3-73.2)



892 (35.1) 2785 (109.6) 726 (28.6)
4403 (173.3)

L1



892 (35.1) 2975 (117.1) 886 (34.9)
4753 (187.1)

L2

All measurements are in mm (inches) unless stated otherwise. Heights shown unladen.

NEW VIVARO RANGE HIGHLIGHTS



VX_VIV_31097.psd



VX_VIV_30351.psd



VX_VIV_29502.psd



VX_VIV_31151.psd

EDITION	OTR from £24,378.33*
Standard features include: <ul style="list-style-type: none"> • Electronic stability programme • Traction control • ABS with electronic brakeforce distribution • Hill start assist • Driver and front passengers' airbag • Remote control central deadlocking • Selective door locking • Full-height steel bulkhead (Panel Van only) • Six-way adjustable driver's seat with lumbar adjustment and armrest • Dual front passengers' bench seat with underseat storage • Multi-function trip computer • Cruise control with speed limiter • Vauxhall Connect box • Digital radio/AM/FM stereo radio • Bluetooth® connectivity • Steering wheel mounted audio and phone controls • Facia-mounted drinks holders • Nearside and offside sliding side-access doors • Twin solid rear doors • Electrically operated front windows with one-touch facility • Electrically adjustable/heated door mirrors • 16-inch steel wheels • Steel spare wheel 	

DYNAMIC	OTR from £25,468.33*
Features over Edition: <ul style="list-style-type: none"> • Remote control security alarm system • Driver drowsiness alert (based on driving time) • Cab soundproofing • Multimedia infotainment unit • 7-inch colour touchscreen • Air conditioning • Laminated acoustic windscreen • Front fog lights • Rear parking distance sensors • Rain-sensitive windscreen wipers • Automatic lighting control • Front cornering lights • 16-inch steel wheels with full-diameter wheel trims 	

SPORTIVE	OTR from £26,628.33*
Features over Edition: <ul style="list-style-type: none"> • FlexCargo load-through bulkhead (Panel Van only) • Remote control security alarm system • Driver drowsiness alert (based on driving time) • Fold-flat centre seat backrest providing flat work surface • Cab soundproofing • Multimedia infotainment unit • 7-inch colour touchscreen • Air conditioning • Laminated acoustic windscreen • Body-colour front bumpers • Body-colour rear bumpers (L1) • Body-colour rear corner bumper with black centre section (L2) • Chrome-effect front grille • Front fog lights • Rear parking distance sensors • Rain-sensitive windscreen wipers • Automatic lighting control • LED daytime running lights • Front cornering lights • 16-inch steel wheels with full-diameter wheel trims • Two-coat metallic paint 	

ELITE	OTR from £30,468.33*
Features over Sportive: <ul style="list-style-type: none"> • Multimedia Navi Pro satellite navigation system • Lane departure warning • Speed sign recognition with intelligent speed adaptation • Side blind spot alert • Semi-adaptive cruise control • Forward collision alert with automatic emergency braking and pedestrian detection • 3.5-inch colour information display • Head-up display • Panoramic rear-view camera • Electrically folding door mirrors • Front and rear parking distance sensors • 17-inch silver alloy wheels 	

*OTR price excluding VAT.

EDITION



VX_VIV_31097.psd

L1 PANEL VAN ON-THE-ROAD PRICES

	OTR RRP exc. VAT	Insurance Group
2700 1.5 (100PS) Turbo D S/S	£24,378.33	35A
2700 1.5 (120PS) Turbo D S/S	£25,078.33	36A
2900 1.5 (100PS) Turbo D S/S	£24,878.33	36A
3100 2.0 (120PS) Turbo D S/S	£25,578.33	40A

L2 PANEL VAN ON-THE-ROAD PRICES

2900 1.5 (100PS) Turbo D S/S	£25,278.33	37A
3100 2.0 (120PS) Turbo D S/S	£26,478.33	40A

L1 DOUBLECAB ON-THE-ROAD PRICES

3100 2.0 (120PS) Turbo D S/S	£28,108.33	40A
------------------------------	-------------------	-----

L2 DOUBLECAB ON-THE-ROAD PRICES

3100 2.0 (120PS) Turbo D S/S	£29,008.33	39A
------------------------------	-------------------	-----

Please note: On-the-road recommended retail prices (RRP) include number plates and delivery to Retailer of £583.33, 12 months' Vehicle Excise Duty (£265.00) and new vehicle first registration fee of £55.00. Excludes fuel and insurance.

S/S = Start/Stop.

FEATURES

Infotainment:

- AM/FM/DAB digital radio
- Bluetooth® audio streaming
- Bluetooth® mobile phone portal
- USB audio connection

Interior convenience/styling:

- Multi-function trip computer
- Cruise control with speed limiter
- Vauxhall Connect box
- Steering column mounted audio and phone controls
- Six-way adjustable driver's seat with lumbar adjustment and armrest
- Dual front passengers' bench seat with underseat storage
- Three-individually contoured rear seats – Doublecab models

Please note: Doublecab rear seating is not equipped with ISOFIX child seat mountings.

Exterior convenience/styling:

- Electrically adjustable/heated door mirrors
- Electrically operated front windows
- Nearside and offside sliding side-access doors
- Twin solid rear doors
- Side-protection mouldings

Safety/security:

- Driver and front passengers' airbags
- Driver and front passengers' curtain and side-impact airbags – Doublecab models
- Height-adjustable front lap and diagonal inertia-reel seatbelts
- Electronic stability programme with traction control
- Anti-lock braking system
- Full-height steel bulkhead – Panel Van
- Folding bulkhead with integrated steel-framed mesh – Doublecab models
- Hill start assist
- Daytime running lights
- Remote control central deadlocking
- Selective door locking
- Electronic engine deadlock immobiliser

DYNAMIC



VX_VIV_30351.psd

L1 PANEL VAN ON-THE-ROAD PRICES

	OTR RRP exc. VAT	Insurance Group
2700 1.5 (100PS) Turbo D S/S	£25,468.33	34E
2700 1.5 (120PS) Turbo D S/S	£26,168.33	35E
2900 1.5 (100PS) Turbo D S/S	£25,968.33	35E
3100 2.0 (120PS) Turbo D S/S	£26,668.33	39E

L2 PANEL VAN ON-THE-ROAD PRICES

2900 1.5 (100PS) Turbo D S/S	£26,368.33	36E
3100 2.0 (120PS) Turbo D S/S	£27,568.33	39E
3100 2.0 (120PS) Turbo D S/S automatic	£29,368.33	40E

Please note: On-the-road recommended retail prices (RRP) include number plates and delivery to Retailer of £583.33, 12 months' Vehicle Excise Duty (£265.00) and new vehicle first registration fee of £55.00. Excludes fuel and insurance.

S/S = Start/Stop.

FEATURES

Infotainment:

- Multimedia audio system
- 7-inch colour touchscreen
- AM/FM/DAB digital radio
- Bluetooth® audio streaming
- Bluetooth® mobile phone portal
- Apple CarPlay™/Android Auto™
- USB audio connection

Interior convenience/styling:

- Air conditioning
- Multi-function trip computer
- Cruise control with speed limiter
- Vauxhall Connect box
- Steering column mounted audio and phone controls
- Six-way adjustable driver's seat with lumbar adjustment and armrest
- Dual front passengers' bench seat with underseat storage

Exterior convenience/styling:

- Rear parking distance sensors
- Laminated acoustic windscreen
- Front fog lights
- Front cornering light
- High beam assist
- Daytime running lights
- Rain-sensitive windscreen wipers
- Electrically adjustable/heated door mirrors
- Electrically operated front windows
- Nearside and offside sliding side-access doors
- Twin solid rear doors
- Side-protection mouldings
- 16-inch steel wheels with full-diameter wheel trims

Safety/security:

- Driver and front passengers' airbags
- Height-adjustable front lap and diagonal inertia-reel seatbelts
- Electronic stability programme with traction control
- Anti-lock braking system
- Full-height steel bulkhead
- Hill start assist
- Remote control central deadlocking
- Selective door locking
- Electronic engine deadlock immobiliser
- Remote control security alarm system

SPORTIVE



VX_VIV_29502.psd

L1 PANEL VAN ON-THE-ROAD PRICES

	OTR RRP exc. VAT	Insurance Group
2700 1.5 (100PS) Turbo D S/S	£26,628.33	35E
2700 1.5 (120PS) Turbo D S/S	£27,328.33	36E
3100 2.0 (120PS) Turbo D S/S	£27,828.33	39E

L2 PANEL VAN ON-THE-ROAD PRICES

2900 1.5 (100PS) Turbo D S/S	£27,528.33	36E
3100 2.0 (120PS) Turbo D S/S	£28,728.33	39E
3100 2.0 (120PS) Turbo D S/S automatic	£30,528.33	40E
3100 2.0 (150PS) Turbo D S/S	£29,828.33	40E

L2 DOUBLECAB ON-THE-ROAD PRICES

3100 2.0 (120PS) Turbo D S/S	£30,728.33	38E
3100 2.0 (120PS) Turbo D S/S automatic	£32,528.33	39E
3100 2.0 (150PS) Turbo D S/S	£31,828.33	40E

Please note: On-the-road recommended retail prices (RRP) include number plates and delivery to Retailer of £583.33, 12 months' Vehicle Excise Duty (£265.00) and new vehicle first registration fee of £55.00. Excludes fuel and insurance.

S/S = Start/Stop.

FEATURES

Infotainment:

- Multimedia audio system
- 7-inch colour touchscreen
- AM/FM/DAB digital radio
- Bluetooth® audio streaming
- Bluetooth® mobile phone portal
- Apple CarPlay™/Android Auto™
- Bluetooth® mobile phone portal
- USB audio connection

Interior convenience/styling:

- Air conditioning
- FlexCargo load-through bulkhead
- Multi-function trip computer
- Cruise control with speed limiter
- Vauxhall Connect box
- Steering column mounted audio and phone controls
- Six-way adjustable driver's seat with lumbar adjustment and armrest
- Dual front passengers' bench seat with underseat storage
- Three-individually contoured rear seats – Doublecab models

Please note: Doublecab rear seating is not equipped with ISOFIX child seat mountings.

Exterior convenience/styling:

- Rear parking distance sensors
- Laminated acoustic windscreen
- Body-colour front bumpers
- Body-colour rear bumpers (L1)
- Body-colour rear corner bumper with black centre section (L2)
- Body-colour side-protection mouldings
- Body-colour door handles and mirror housings
- Chrome-effect front grille
- Front fog lights
- Front cornering light
- High beam assist
- LED daytime running lights
- Rain-sensitive windscreen wipers
- Electrically adjustable/heated door mirrors
- Electrically operated front windows
- Nearside and offside sliding side-access doors
- Twin solid rear doors
- Side-protection mouldings
- 16-inch steel wheels with full-diameter wheel trims

Safety/security:

- Driver and front passengers' airbags
- Driver and front passengers' curtain and side-impact airbags – Doublecab models
- Height-adjustable front lap and diagonal inertia-reel seatbelts
- Electronic stability programme with traction control
- Anti-lock braking system
- Full-height steel bulkhead – Panel Van
- Full-height ABS plastic bulkhead with window – Doublecab only
- Hill start assist
- Remote control central deadlocking
- Selective door locking
- Electronic engine deadlock immobiliser
- Remote control security alarm system

ELITE



VX_VIV_31151.psd

L1 PANEL VAN ON-THE-ROAD PRICES

	OTR RRP exc. VAT	Insurance Group
3100 2.0 (120PS) Turbo D S/S	£30,468.33	40E
3100 2.0 (180PS) Turbo D S/S automatic	£33,968.33	42E

L2 PANEL VAN ON-THE-ROAD PRICES

3100 2.0 (120PS) Turbo D S/S	£31,368.33	40E
3100 2.0 (150PS) Turbo D S/S	£32,468.33	41E
3100 2.0 (180PS) Turbo D S/S automatic	£34,868.33	42E

L2 DOUBLECAB ON-THE-ROAD PRICES

3100 2.0 (120PS) Turbo D S/S	£33,368.33	39E
3100 2.0 (150PS) Turbo D S/S	£34,468.33	40E
3100 2.0 (180PS) Turbo D S/S automatic	£36,868.33	42E

Please note: On-the-road recommended retail prices (RRP) include number plates and delivery to Retailer of £583.33, 12 months' Vehicle Excise Duty (£265.00) and new vehicle first registration fee of £55.00. Excludes fuel and insurance.

S/S = Start/Stop.

FEATURES

Infotainment:

- Multimedia Navi Pro
 - Fully integrated European sat nav system
 - 7-inch colour touchscreen
- Voice control
- AM/FM/DAB digital radio
- Bluetooth® audio streaming
- Bluetooth® mobile phone portal
- USB audio connection
- Second USB charging connection
- Four speakers

Interior convenience/styling:

- Air conditioning
- FlexCargo load-through bulkhead
- Multi-function trip computer
- Cruise control with speed limiter
- Vauxhall Connect box
- Steering column mounted audio and phone controls
- Six-way adjustable driver's seat with lumbar adjustment and armrest
- Dual front passengers' bench seat with underseat storage
- Three-individually contoured rear seats
 - Doublecab models

Please note: Doublecab rear seating is not equipped with ISOFIX child seat mountings.

Exterior convenience/styling:

- Front and rear parking distance sensors
- Heat-reflective/acoustic windscreen
- Body-colour front bumpers
- Body-colour rear bumpers (L1)
- Body-colour rear corner bumper with black centre section (L2)
- Chrome-effect front grille
- Front fog lights
- Front cornering light
- Rain-sensitive windscreen wipers
- Electrically adjustable/heated door mirrors

Exterior convenience/styling continued:

- Electrically folding door mirrors
- Electrically operated front windows with one-touch facility
- Nearside and offside sliding side-access doors
- Twin solid rear doors
- Side-protection mouldings
- 17-inch silver alloy wheels

Safety/security:

- Lane departure warning
- Speed sign recognition with intelligent speed adaptation
- Side blind spot alert
- Semi-adaptive cruise control
- Forward collision alert with automatic emergency braking and pedestrian detection
- 3.5-inch colour information display
- Head-up display
- Panoramic rear-view camera
- Driver drowsiness system
- Driver and front passengers' airbags
- Driver and front passengers' curtain and side-impact airbags – Doublecab model
- Height-adjustable front lap and diagonal inertia-reel seatbelts
- Electronic stability programme with traction control
- Anti-lock braking system
- Full-height steel bulkhead
- Full-height ABS plastic bulkhead with window
 - Doublecab models
- Hill start assist
- Daytime running lights
- Remote control central deadlocking
- Selective door locking
- Electronic engine deadlock immobiliser
- Remote control security alarm system

NEW VIVARO PANEL VAN PRICES/WEIGHTS

	Pack Code	Minimum Mass (kg)*	Maximum indicative payload (kg)*	Gross Vehicle Weights (GVW) (kg)	Plated weights (kg)		Towing weights (kg) Braked	Plated Gross Combination Weights (GCW) (kg)	Price (£) exc. VAT	On-the-road RRP (£) exc. VAT
					Front axle	Rear axle				
L1 EDITION PANEL VAN EURO 6D TEMP (6.2)										
2700 1.5 (100PS) Turbo D S/S	8C05 iILW	1660	975	2635	1500	1500	1400	4035	23,475.00	24,378.33
2700 1.5 (120PS) Turbo D S/S	8C05 iNLW	1581	1079	2660	1500	1500	1800	4460	24,175.00	25,078.33
2900 1.5 (100PS) Turbo D S/S	8C05 iILZ	1660	1170	2830	1500	1800	1400	4230	23,975.00	24,878.33
3100 2.0 (120PS) Turbo D S/S	8C05 MKPW	1642	1458	3100	1500	1800	2500	5000	24,675.00	25,578.33
L1 DYNAMIC PANEL VAN - EURO 6D TEMP (6.2)										
2700 1.5 (100PS) Turbo D S/S	8D05 iILW	1660	975	2635	1500	1500	1400	4035	24,565.00	25,468.33
2700 1.5 (120PS) Turbo D S/S	8D05 iNLW	1581	1079	2660	1500	1500	1800	4460	25,265.00	26,168.33
2900 1.5 (100PS) Turbo D S/S	8D05 iILZ	1660	1170	2830	1500	1800	1400	4230	25,065.00	25,968.33
3100 2.0 (120PS) Turbo D S/S	8D05 MKPW	1642	1458	3100	1500	1800	2500	5000	25,765.00	26,668.33
L1 SPORTIVE PANEL VAN - EURO 6D TEMP (6.2)										
2700 1.5 (100PS) Turbo D S/S	8D05 iILY	1660	975	2635	1500	1500	1400	4035	25,725.00	26,628.33
2700 1.5 (120PS) Turbo D S/S	8D05 iNLY	1581	1079	2660	1500	1500	1800	4460	26,425.00	27,328.33
3100 2.0 (120PS) Turbo D S/S	8D05 MKPY	1642	1458	3100	1500	1800	2500	5000	26,925.00	27,828.33
L1 ELITE PANEL VAN EURO 6D TEMP (6.2)										
3100 2.0 (120PS) Turbo D S/S	8E05 MKPW	1642	1458	3100	1500	1800	2500	5000	29,565.00	30,468.33
3100 2.0 (180PS) Turbo D S/S Automatic	8E05MG8W	1682	1418	3100	1500	1800	2500	4900	33,065.00	33,968.33

S/S = Start/Stop.

Please note: On-the-road recommended retail prices (RRP) include number plates and delivery to Retailer of £583.33 exc. VAT (£700.00 inc. VAT), 12 months' Vehicle Excise Duty (£265.00) and new vehicle first registration fee of £55.00 (correct at time of publication). Excludes fuel and insurance.

All Vivaro models include BlueInjection. Vehicles with BlueInjection technology will need regular AdBlue® top-ups also between servicing requirements. An indicator integrated into the on-board computer will warn you when you need to top up. More information under www.vauxhall.co.uk/blueinjection. In accordance with regulations R (EC) No. 715/2007 and R (EC) No. 692/2008 (in the versions respectively applicable).

Gross plated weights (including axle weights) quoted on the vehicle plate are to UK plated weight specification and must never be exceeded. Unbraked towing weight 750kg – all models.

*Minimum Mass for standard vehicles include coolant, oil and 90% full fuel tank. They will vary according to the vehicle specification (including trim, options and accessories) with a corresponding variation in payload.

NEW VIVARO PANEL VAN PRICES/WEIGHTS

	Pack Code	Minimum Mass (kg)*	Maximum indicative payload (kg)*	Gross Vehicle Weights (GVW) (kg)	Plated weights (kg)		Towing weights (kg) Braked	Plated Gross Combination Weights (GCW) (kg)	Price (£) exc. VAT	On-the-road RRP (£) exc. VAT
					Front axle	Rear axle				
L2 EDITION PANEL VAN EURO 6D TEMP (6.2)										
2900 1.5 (100PS) Turbo D S/S	8C05 i1L1	1770	1060	2830	1500	1800	1400	4230	24,375.00	25,278.33
3100 2.0 (120PS) Turbo D S/S	8C05 MKP1	1685	1415	3100	1500	1800	2500	5000	25,575.00	26,478.33
L2 DYNAMIC PANEL VAN EURO 6D TEMP (6.2)										
2900 1.5 (100PS) Turbo D S/S	8D05 i1L1	1770	1060	2830	1500	1800	1400	4230	25,465.00	26,368.33
3100 2.0 (120PS) Turbo D S/S	8D05 MKP1	1685	1415	3100	1500	1800	2500	5000	26,665.00	27,568.33
3100 2.0 (120PS) Turbo D S/S automatic	8D05 MH81	1695	1405	3100	1500	1800	1800	4900	28,465.00	29,368.33
L2 SPORTIVE PANEL VAN EURO 6D TEMP (6.2)										
2900 1.5 (100PS) Turbo D S/S	8D05 i1LX	1770	1060	2830	1500	1800	1400	4230	26,625.00	27,528.33
3100 2.0 (120PS) Turbo D S/S	8D05 MKPX	1685	1415	3100	1500	1800	2500	5000	27,825.00	28,728.33
3100 2.0 (120PS) Turbo D S/S automatic	8D05 MH8X	1695	1405	3100	1500	1800	1800	4900	29,625.00	30,528.33
3100 2.0 (150PS) Turbo D S/S	8D05 MLPX	1685	1415	3100	1500	1800	2500	5000	28,925.00	29,828.33
L2 ELITE PANEL VAN EURO 6D TEMP (6.2)										
3100 2.0 (120PS) Turbo D S/S	8E05 MKP1	1685	1415	3100	1500	1800	2500	5000	30,465.00	31,368.33
3100 2.0 (150PS) Turbo D S/S	8E05 MLP1	1685	1415	3100	1500	1800	2500	5000	31,565.00	32,468.33
3100 2.0 (180PS) Turbo D S/S automatic	8E05 MG81	1650	1450	3100	1500	1800	2000	4900	33,965.00	34,868.33

S/S = Start/Stop.

Please note: On-the-road recommended retail prices (RRP) include number plates and delivery to Retailer of £583.33 exc. VAT (£700.00 inc. VAT), 12 months' Vehicle Excise Duty (£265.00) and new vehicle first registration fee of £55.00 (correct at time of publication). Excludes fuel and insurance.

All Vivaro models include BlueInjection. Vehicles with BlueInjection technology will need regular AdBlue® top-ups also between servicing requirements. An indicator integrated into the on-board computer will warn you when you need to top up. More information under www.vauxhall.co.uk/blueinjection. In accordance with regulations R (EC) No. 715/2007 and R (EC) No. 692/2008 (in the versions respectively applicable).

Gross plated weights (including axle weights) quoted on the vehicle plate are to UK plated weight specification and must never be exceeded. Unbraked towing weight 750kg – all models.

*Minimum Mass for standard vehicles include coolant, oil and 90% full fuel tank. They will vary according to the vehicle specification (including trim, options and accessories) with a corresponding variation in payload.

NEW VIVARO DOUBLECAB PRICES/WEIGHTS

	Pack Code	Minimum Mass (kg)*	Maximum indicative payload (kg)*	Gross Vehicle Weights (GVW) (kg)	Plated weights (kg)		Towing weights (kg) Braked	Plated Gross Combination Weights (GCW) (kg)	Price (£) exc. VAT	On-the-road RRP (£) exc. VAT
					Front axle	Rear axle				
L1 EDITION DOUBLECAB EURO 6D TEMP (6.2)										
3100 2.0 (120PS) Turbo D S/S	8CF5 MKPW	1752	1308	3060	1500	1800	2500	5000	27,205.00	28,108.33
L2 EDITION DOUBLECAB - EURO 6D TEMP (6.2)										
3100 2.0 (120PS) Turbo D S/S	8CF5 MKP1	1770	1170	2940	1500	1800	2500	5000	28,105.00	29,008.33
L2 SPORTIVE DOUBLECAB - EURO 6D TEMP (6.2)										
3100 2.0 (120PS) Turbo D S/S	8DC5 MKPX	1770	1170	2940	1500	1800	2500	5000	29,825.00	30,728.33
3100 2.0 (120PS) Turbo D S/S automatic	8DC5 MH8X	1805	1215	3020	1500	1800	1800	4820	31,625.00	32,528.33
3100 2.0 (150PS) Turbo D S/S	8DC5 MLPX	1695	1245	2940	1500	1800	2500	5000	30,925.00	31,828.33
L2 ELITE DOUBLECAB - EURO 6D TEMP (6.2)										
3100 2.0 (120PS) Turbo D S/S	8EC5 MKP1	1770	1170	2940	1500	1800	2500	5000	32,465.00	33,368.33
3100 2.0 (150PS) Turbo D S/S	8EC5 MLP1	1695	1245	2940	1500	1800	2500	5000	33,565.00	34,468.33
3100 2.0 (180PS) Turbo D S/S automatic	8EC5 MG81	1741	1259	3000	1500	1800	2000	4900	35,965.00	36,868.33

S/S = Start/Stop.

Please note: On-the-road recommended retail prices (RRP) include number plates and delivery to Retailer of £583.33 exc. VAT (£700.00 inc. VAT), 12 months' Vehicle Excise Duty (£265.00) and new vehicle first registration fee of £55.00 (correct at time of publication). Excludes fuel and insurance.

All Vivaro models include BlueInjection. Vehicles with BlueInjection technology will need regular AdBlue® top-ups also between servicing requirements. An indicator integrated into the on-board computer will warn you when you need to top up. More information under www.vauxhall.co.uk/blueinjection. In accordance with regulations R (EC) No. 715/2007 and R (EC) No. 692/2008 (in the versions respectively applicable).

Gross plated weights (including axle weights) quoted on the vehicle plate are to UK plated weight specification and must never be exceeded. Unbraked towing weight 750kg – all models.

*Minimum Mass for standard vehicles include coolant, oil and 90% full fuel tank. They will vary according to the vehicle specification (including trim, options and accessories) with a corresponding variation in payload.

NEW VIVARO PLATFORM CAB PRICES/WEIGHTS

	Pack Code	Provisional*		Gross Vehicle Weights (GVW) (kg)	Plated weights (kg)		Towing weights (kg) Braked	Plated Gross Combination Weights (GCW) (kg)	Price (£) exc. VAT	On-the-road RRP (£) exc. VAT
		Minimum Mass (kg)**	Maximum indicative payload (kg)*		Front axle	Rear axle				
L1 EDITION PLATFORM CAB EURO 6D TEMP (6.2)										
3100 2.0 (120PS) Turbo D S/S	8C03 MKPG	1483	1617	3100	1500	1800	2500	5000	23,780.00	24,683.33

*All Minimum Mass and Payload measurements are provisional and subject to change.

S/S = Start/Stop.

Please note: On-the-road recommended retail prices (RRP) include number plates and delivery to Retailer of £583.33 exc. VAT (£700.00 inc. VAT), 12 months' Vehicle Excise Duty (£265.00) and new vehicle first registration fee of £55.00 (correct at time of publication). Excludes fuel and insurance.

All Vivaro models include BlueInjection. Vehicles with BlueInjection technology will need regular AdBlue® top-ups also between servicing requirements. An indicator integrated into the on-board computer will warn you when you need to top up. More information under www.vauxhall.co.uk/blueinjection. In accordance with regulations R (EC) No. 715/2007 and R (EC) No. 692/2008 (in the versions respectively applicable).

Gross plated weights (including axle weights) quoted on the vehicle plate are to UK plated weight specification and must never be exceeded.

**Minimum Mass for standard vehicles include coolant, oil and 90% full fuel tank. They will vary according to the vehicle specification (including trim, options and accessories) with a corresponding variation in payload.

NEW VIVARO FUEL ECONOMY/EMISSIONS

	NEDC Fuel economy mpg (litres/100km) [#]				WLTP Fuel economy mpg (litres/100km) ^{##}			
	Urban	Extra-urban	Combined	CO ₂ (g/km) [#]	Combined Low	Combined High	CO ₂ (g/km) ^{##} High	Low
L1 EDITION PANEL VAN EURO 6D TEMP (6.2)								
2700 1.5 (100PS) Turbo D S/S	52.3 (5.4)	60.1 (4.7)	57.6 (4.9)	130	38.1 (7.4)	44.8 (6.3)	194	165
2700 1.5 (120PS) Turbo D S/S	56.5 (5.0)	61.4 (4.6)	60.1 (4.7)	125	40.9 (6.9)	47 (6.0)	181	159
2900 1.5 (100PS) Turbo D S/S	52.3 (5.4)	60.1 (4.7)	56.5 (5.0)	131	38.2 (7.4)	44.8 (6.3)	194	165
3100 2.0 (120PS) Turbo D S/S	46.3 (6.1)	57.6 (4.9)	52.3 (5.4)	144	35.3 (8.0)	40.3 (7.0)	211	183
L1 DYNAMIC PANEL VAN - EURO 6D TEMP (6.2)								
2700 1.5 (100PS) Turbo D S/S	52.3 (5.4)	60.1 (4.7)	57.6 (4.9)	130	38.1 (7.4)	44.8 (6.3)	194	165
2700 1.5 (120PS) Turbo D S/S	56.5 (5.0)	61.4 (4.6)	60.1 (4.7)	125	40.9 (6.9)	47 (6.0)	181	159
2900 1.5 (100PS) Turbo D S/S	52.3 (5.4)	60.1 (4.7)	56.5 (5.0)	131	38.2 (7.4)	44.8 (6.3)	194	165
3100 2.0 (120PS) Turbo D S/S	46.3 (6.1)	57.6 (4.9)	52.3 (5.4)	144	35.3 (8.0)	40.3 (7.0)	211	183
L1 SPORTIVE PANEL VAN - EURO 6D TEMP (6.2)								
2700 1.5 (100PS) Turbo D S/S	52.3 (5.4)	60.1 (4.7)	57.6 (4.9)	130	38.1 (7.4)	44.8 (6.3)	194	165
2700 1.5 (120PS) Turbo D S/S	56.5 (5.0)	61.4 (4.6)	60.1 (4.7)	125	40.9 (6.9)	47 (6.0)	181	159
2900 1.5 (100PS) Turbo D S/S	52.3 (5.4)	60.1 (4.7)	56.5 (5.0)	131	38.2 (7.4)	44.8 (6.3)	194	165
3100 2.0 (120PS) Turbo D S/S	46.3 (6.1)	57.6 (4.9)	52.3 (5.4)	144	35.3 (8.0)	40.3 (7.0)	211	183
L1 ELITE PANEL VAN EURO 6D TEMP (6.2)								
3100 2.0 (120PS) Turbo D S/S	46.3 (6.1)	57.6 (4.9)	52.3 (5.4)	142	35.3 (8.0)	40.3 (7.0)	211	183
3100 2.0 (180PS) Turbo D S/S Automatic	45.5 (5.2)	55.3 (4.3)	51.3 (5.0)	145	40.9 (5.8)	35.3 (6.7)	209	183

S/S = Start/Stop.

For fuel economy and CO₂ two sets of data are provided. All engines are validated to emissions standard Euro 6D Temp (6.2) which uses the newer WLTP cycle. This cycle is intended to be a closer representation to economy achieved in the real world and is included for this transparency. NEDC figures are not from the older cycle but in fact are a derived back-correlation calculation from the WLTP test data. Some systems and protocols such as the 2020 CO₂ target will use this figure, and hence it is included for this, and also to enable comparison to outgoing models.

[#]Fuel consumption and CO₂ emission data are determined using the Worldwide harmonised Light vehicles Test Procedure (WLTP), and the relevant values are translated back to allow the comparability into NEDC, according to regulations R (EC) No. 715/2007, R (EU) No. 2017/1153 and R (EU) No. 2017/1151. The values do not take into account in particular use and driving conditions, equipment or options and may vary depending on the format of tyres. For more information on official fuel consumption and CO₂ emission values, please read the guidelines at <http://vanfueldata.dft.gov.uk/>

^{##}Fuel consumption and CO₂ emission data are determined according to the WLTP test cycle. Full data relating to WLTP test cycles can be found at: www.vauxhall.co.uk/wltp

NEW VIVARO FUEL ECONOMY/EMISSIONS

	NEDC Fuel economy mpg (litres/100km) [#]				WLTP Fuel economy mpg (litres/100km) ^{##}			
	Urban	Extra-urban	Combined	CO ₂ (g/km) [#]	Combined Low	Combined High	CO ₂ (g/km) ^{##} High	Low
L2 EDITION PANEL VAN EURO 6D TEMP (6.2)								
2900 1.5 (100PS) Turbo D S/S	50.4 (5.6)	57.6 (4.9)	55.3 (5.1)	135	38.1 (7.4)	44.8 (6.3)	194	165
3100 2.0 (120PS) Turbo D S/S	44.1 (6.4)	54.3 (5.2)	50.4 (5.6)	148	50.4 (5.6)	40.3 (7.0)	211	183
L2 DYNAMIC PANEL VAN EURO 6D TEMP (6.2)								
2900 1.5 (100PS) Turbo D S/S	50.4 (5.6)	57.6 (4.9)	55.3 (5.1)	135	55.3 (5.1)	38.1 (7.4)	194	165
3100 2.0 (120PS) Turbo D S/S	44.1 (6.4)	54.3 (5.2)	50.4 (5.6)	148	50.4 (5.6)	35.3 (8.0)	211	183
3100 2.0 (120PS) Turbo D S/S automatic	46.3 (6.1)	54.3 (5.2)	51.3 (5.5)	146	51.3 (5.5)	34.4 (8.2)	215	187
L2 SPORTIVE PANEL VAN EURO 6D TEMP (6.2)								
2900 1.5 (100PS) Turbo D S/S	50.4 (5.6)	57.6 (4.9)	55.3 (5.1)	135	55.3 (5.1)	44.8 (6.3)	194	165
3100 2.0 (120PS) Turbo D S/S	44.1 (6.4)	54.3 (5.2)	50.4 (5.6)	148	50.4 (5.6)	40.3 (7.0)	211	183
3100 2.0 (120PS) Turbo D S/S automatic	46.3 (6.1)	54.3 (5.2)	51.3 (5.5)	146	51.3 (5.5)	39.8 (7.1)	215	187
3100 2.0 (150PS) Turbo D S/S	48.7 (5.8)	55.3 (5.1)	52.3 (5.4)	143	52.3 (5.4)	41.5 (6.8)	206	180
L2 ELITE PANEL VAN EURO 6D TEMP (6.2)								
3100 2.0 (120PS) Turbo D S/S	44.1 (6.4)	54.3 (5.2)	50.4 (5.6)	148	50.4 (5.6)	40.3 (7.0)	211	183
3100 2.0 (150PS) Turbo D S/S	48.7 (5.8)	55.3 (5.1)	52.3 (5.4)	143	52.3 (5.4)	41.5 (6.8)	206	180
3100 2.0 (180PS) Turbo D S/S automatic	45.5 (6.2)	54.3 (5.2)	50.4 (5.6)	147	50.4 (5.6)	40.9 (6.9)	209	183

S/S = Start/Stop.

For fuel economy and CO₂ two sets of data are provided. All engines are validated to emissions standard Euro 6D Temp (6.2) which uses the newer WLTP cycle. This cycle is intended to be a closer representation to economy achieved in the real world and is included for this transparency. NEDC figures are not from the older cycle but in fact are a derived back-correlation calculation from the WLTP test data. Some systems and protocols such as the 2020 CO₂ target will use this figure, and hence it is included for this, and also to enable comparison to outgoing models.

[#]Fuel consumption and CO₂ emission data are determined using the Worldwide harmonised Light vehicles Test Procedure (WLTP), and the relevant values are translated back to allow the comparability into NEDC, according to regulations R (EC) No. 715/2007, R (EU) No. 2017/1153 and R (EU) No. 2017/1151. The values do not take into account in particular use and driving conditions, equipment or options and may vary depending on the format of tyres. For more information on official fuel consumption and CO₂ emission values, please read the guidelines at <http://vanfueldata.dft.gov.uk/>

^{##}Fuel consumption and CO₂ emission data are determined according to the WLTP test cycle. Full data relating to WLTP test cycles can be found at: www.vauxhall.co.uk/wltp

NEW VIVARO FUEL ECONOMY/EMISSIONS

	NEDC Fuel economy mpg (litres/100km) [#]				WLTP Fuel economy mpg (litres/100km) ^{##}		CO ₂ (g/km) ^{##}	
	Urban	Extra-urban	Combined	CO ₂ (g/km) [#]	Combined Low	Combined High	High	Low
L1 EDITION DOUBLECAB EURO 6D TEMP (6.2)								
3100 2.0 (120PS) Turbo D S/S	44.1 (6.4)	55.3 (5.1)	50.4 (5.6)	148	35.3 (8.0)	40.3 (7.0)	211	183
L2 EDITION DOUBLECAB - EURO 6D TEMP (6.2)								
3100 2.0 (120PS) Turbo D S/S	44.1 (6.4)	54.3 (5.2)	50.4 (5.6)	148	35.3 (8.0)	40.3 (7.0)	211	183
L2 SPORTIVE DOUBLECAB - EURO 6D TEMP (6.2)								
3100 2.0 (120PS) Turbo D S/S	44.1 (6.4)	54.3 (5.2)	50.4 (5.6)	148	35.3 (8.0)	40.3 (7.0)	211	183
3100 2.0 (120PS) Turbo D S/S automatic	44.8 (6.3)	53.3 (5.3)	49.5 (5.7)	149	34.4 (8.2)	39.8 (7.1)	215	187
3100 2.0 (150PS) Turbo D S/S	45.5 (6.2)	54.3 (5.2)	50.4 (5.6)	147	36.2 (7.8)	41.5 (6.8)	206	180
L2 ELITE DOUBLECAB - EURO 6D TEMP (6.2)								
3100 2.0 (120PS) Turbo D S/S	44.1 (6.4)	54.3 (5.2)	50.4 (5.6)	148	35.3 (8.0)	40.3 (7.0)	211	183
3100 2.0 (150PS) Turbo D S/S	45.5 (6.2)	54.3 (5.2)	50.4 (5.6)	147	36.2 (7.8)	41.5 (6.8)	206	180
3100 2.0 (180PS) Turbo D S/S automatic	44.8 (6.3)	53.3 (5.3)	49.5 (5.7)	149	35.3 (8.0)	40.9 (6.9)	209	183
L1 EDITION PLATFORM CAB EURO 6D TEMP (6.2)								
3100 2.0 (120PS) Turbo D S/S	tba	tba	tba	152 - 142	35.3 (8.0)	40.3 (7.0)	211	183

S/S = Start/Stop.

For fuel economy and CO₂ two sets of data are provided. All engines are validated to emissions standard Euro 6D Temp (6.2) which uses the newer WLTP cycle. This cycle is intended to be a closer representation to economy achieved in the real world and is included for this transparency. NEDC figures are not from the older cycle but in fact are a derived back-correlation calculation from the WLTP test data. Some systems and protocols such as the 2020 CO₂ target will use this figure, and hence it is included for this, and also to enable comparison to outgoing models.

[#]Fuel consumption and CO₂ emission data are determined using the Worldwide harmonised Light vehicles Test Procedure (WLTP), and the relevant values are translated back to allow the comparability into NEDC, according to regulations R (EC) No. 715/2007, R (EU) No. 2017/1153 and R (EU) No. 2017/1151. The values do not take into account in particular use and driving conditions, equipment or options and may vary depending on the format of tyres. For more information on official fuel consumption and CO₂ emission values, please read the guidelines at <http://vanfueldata.dft.gov.uk/>

^{##}Fuel consumption and CO₂ emission data are determined according to the WLTP test cycle. Full data relating to WLTP test cycles can be found at: www.vauxhall.co.uk/wltp

NEW VIVARO FEATURES/OPTIONS

SAFETY

	Option code	Edition	Dynamic	Sportive	Elite	Price (£) exc. VAT	Price (£) inc. VAT
<p>Driver Safety Pack</p> <ul style="list-style-type: none"> • Semi-adaptive cruise control • Forward collision alert with automatic emergency braking and pedestrian detection • 3.5-inch colour information display • Head-up display (Elite models only) – If ordered on Dynamic and Sportive models in combination with Multimedia Navi Pro, will also include head-up display. 	B26		○	○	●	990.00	1,188.00
<p>Airbag</p> <p>Driver and front passengers' airbag:</p> <ul style="list-style-type: none"> • Front passengers' airbag with deactivation switch 		●	●	●	●		
<ul style="list-style-type: none"> • Driver and front passengers' curtain and side-impact airbags, front passenger's airbag with deactivation switch – Standard on Doublecab models. Not available on Platform Cab models. 	AYO	○	○	○	○	150.00	180.00
<p>Stability</p> <p>Electronic Stability Programme-plus (ESP-plus) with traction control – Works in conjunction with the vehicle's electronic braking and engine systems to keep the vehicle stable in many different situations. ESP monitors a variety of inputs to determine when the vehicle starts to lose traction, it can then immediately respond by varying the brake pressure between up to three wheels and adjust the engine output to help correct the loss of traction and improve stability.</p>		●	●	●	●		
<p>Tyre pressure</p> <ul style="list-style-type: none"> • Tyre pressure monitoring system – Not available when the Worksite Pack option is specified. 	UJO	○	○	○	○	50.00	60.00
<p>Braking</p> <p>Four-channel Anti-lock Braking System (ABS) – Prevents the vehicle's wheels from locking up under heavy braking by momentarily reducing brake pressure at the appropriate wheel, ensuring that you can maintain control of the steering.</p> <p>Emergency brake assist – When emergency braking is detected the vehicle automatically applies the maximum possible braking assistance.</p> <p>Electronic brakeforce distribution – Automatically apportions the optimum braking force to each wheel.</p> <p>Hill start assist – Briefly maintains rear brake pressure to stop the vehicle rolling back on an incline.</p>		●	●	●	●		

● = Standard equipment. ○ = Optional at extra cost.

NEW VIVARO FEATURES/OPTIONS

SAFETY CONTINUED

	Option code	Edition	Dynamic	Sportive	Elite	Price (£) exc. VAT	Price (£) inc. VAT
Bulkhead • Full-height steel bulkhead without window – Standard on Panel Van.		●	●				
• Full-height ABS plastic bulkhead with window – Doublecab only.				●	●		
• Folding bulkhead with integrated steel-framed mesh – Doublecab only.		●					
• Full-height steel bulkhead with window – Panel Van.	AX9	○	○	○	○	150.00	180.00
FlexCargo load-through bulkhead – Panel Van only • Dual front passengers' seat • Load-through bulkhead	ATM	○	○	●	●	425.00	510.00

SECURITY

Features • Electronic engine deadlock immobiliser • Steering column lock • Lockable fuel filler cap • Anti-theft spare wheel cradle		●	●	●	●		
Remote control door locking (features depending on body type) • Remote control door locking • Two keys with integral remote • Door deadlocks • Selective door locking		●	●	●	●		
Keyless open and start • Keyless open and start	ATH		○	○	○	200.00	240.00
Security alarm system • System monitors doors, tailgate, bonnet and the passenger compartment	PS6	○	●	●	●	170.00	204.00

● = Standard equipment. ○ = Optional at extra cost.

NEW VIVARO FEATURES/OPTIONS

DRIVER ASSISTANCE

	Option code	Edition	Dynamic	Sportive	Elite	Price (£) exc. VAT	Price (£) inc. VAT
Visibility Pack • Laminated acoustic windscreen • Rain-sensitive windscreen wipers • Automatic lighting control	Y74	○	●	●	●	200.00	240.00
Driver Assistance Pack • Lane keep assist with lane departure warning • Speed sign recognition with intelligent speed adaptation • High beam assist • Driver drowsiness system • White text Instrument panel	E9A		○	○	●	320.00	384.00
Multi-function trip computer • Trip odometer • Vehicle range based on remaining fuel • Average speed • Average fuel economy • Instantaneous fuel economy • Driving time		●	●	●	●		
Parking assistance • Rear parking distance sensors	UD7	○	●	●		200.00	240.00
• Front and rear parking distance sensors • Side blind spot alert • Front fog lights • Electrically folding door mirrors	UD5	○	○	○	●	400.00	480.00
• Rear-view camera – requires UD7 on Edition models	UVC	○				530.00	636.00
• Panoramic rear-view camera – requires UD5 on Dynamic/Sportive models	UL3		○	○	●	700.00	840.00
Cruise control, speed limiter	K34	●	●	●	●		
Instrumentation • Speedometer • Rev counter • Fuel gauge with low fuel warning light • Fuel economy gauge • Coolant temperature warning light		●	●	●	●		

● = Standard equipment. ○ = Optional at extra cost.

NEW VIVARO FEATURES/OPTIONS

DRIVER ASSISTANCE CONTINUED

	Option code	Edition	Dynamic	Sportive	Elite	Price (£) exc. VAT	Price (£) inc. VAT
<p>IntelliGrip Pack</p> <p>For those drivers who regularly take their vehicle off road, this pack helps the driver cope with whatever conditions they encounter. IntelliGrip traction control is designed to increase grip in difficult conditions without the additional weight of a conventional four-wheel drive system. It's an innovative grip control system that provides improved traction on certain terrain and conditions through a combination of optimised torque distribution and limited wheel spin, managed through the electronic stability programme.</p> <ul style="list-style-type: none"> • IntelliGrip: A choice of five selectable modes to suit the driving conditions: ESP on, ESP off, snow, mud, sand - Only available when 17-inch wheels are specified for Edition/Dynamic/Sportive models. Not available on Platform Cab 	H4H	○	○	○	○	660.00	792.00
<p>Worksite Pack</p> <ul style="list-style-type: none"> • Underride protection • Increased ground clearance (+25mm) - Not available on 2700 models or 1.5 (120PS) Turbo D models 	HMG	○	○	○		375.00	450.00

COMFORT

<p>Comfort</p> <ul style="list-style-type: none"> • Reach and rake-adjustable steering wheel • Facia-mounted gear lever • Floor-mounted handbrake lever • Inertia-reel lap and diagonal seatbelts • Height-adjustable outer front seatbelts • Cab headliner – Excludes Doublecab Edition models 		●	●	●	●		
--	--	---	---	---	---	--	--

● = Standard equipment. ○ = Optional at extra cost.

NEW VIVARO FEATURES/OPTIONS

SEATING

	Option code	Edition	Dynamic	Sportive	Elite	Price (£) exc. VAT	Price (£) inc. VAT
Driver's seat • Height • Reach • Backrest recline • Lumbar adjustment • Driver's seat armrest • Padded head restraint		●	●	●	●		
Dual front passengers' seat with underseat storage • Fixed position bench seat and backrest • Height-adjustable front padded head restraints		●	●	●	●		
Single front passenger's seat • Reach • Backrest recline • Padded head restraint – Includes 4-way adjustable driver's seat in lieu of 6-way adjustable	AE1	N/C				No-cost option	
• Reach • Backrest recline • Padded head restraint • Folding backrest • Passenger's seat armrest	AQR		N/C	N/C	N/C	No-cost option	
Seat trim • Curitiba Tritone Grey cloth inert with Carla black vinyl side bolsters – Panel Van		●	●	●	●		
• Curitiba Tritone Grey cloth – Doublecab		●		●	●		

REAR SEATING – DOUBLECAB

Doublecab second-row seating • Three-individually contoured rear seats – Not equipped with ISOFIX child seat mountings • Inertia-reel lap and diagonal seatbelts • Folding seat/upper mesh bulkhead • Padded head restraints		●					
• Three-individually contoured rear seats – Not equipped with ISOFIX child seat mountings • Inertia-reel lap and diagonal seatbelts • Underseat storage • 12-volt accessory socket • Padded head restraints				●	●		

● = Standard equipment. N/C = No-cost option.

NEW VIVARO FEATURES/OPTIONS

CABIN STORAGE

	Option code	Edition	Dynamic	Sportive	Elite	Price (£) exc. VAT	Price (£) inc. VAT
Facia storage <ul style="list-style-type: none"> • Upper glovebox • Open lower glovebox with 12v socket and aux-in facility • Lower shelf • A4 storage compartment on top of facia • Open storage compartments in facia • Two drinks holders on top of facia • Storage pocket in front of gear lever 		●	●	●	●		
Front door pockets <ul style="list-style-type: none"> • Three separate compartments in each door 		●	●	●	●		

INFOTAINMENT

Radio BT Onboard features: <ul style="list-style-type: none"> • AM/FM stereo radio • DAB Digital radio • RDS with Traffic Programme • 20 watts per channel output • Four speakers (eight on Doublecab models) Media connections: <ul style="list-style-type: none"> • USB connection with iPod control • Bluetooth® A2DP audio streaming (Advanced Audio Distribution Profile) Mobile phone portal: <ul style="list-style-type: none"> • Bluetooth® connectivity • Handsfree calls via steering wheel controls • Vehicle microphone 		●					
Multimedia Onboard features: <ul style="list-style-type: none"> • 7-inch colour touchscreen • AM/FM stereo radio with 25 Station presets • DAB Digital radio • RDS with Traffic Programme • 20 watts per channel output • Four speakers (eight on Doublecab models) Media connections: <ul style="list-style-type: none"> • USB connection with iPod control • Bluetooth® A2DP audio streaming (Advanced Audio Distribution Profile) Mobile phone portal: <ul style="list-style-type: none"> • Bluetooth® connectivity • Handsfree calls via steering wheel controls • Vehicle microphone • Phone book access – Contacts/last calls/missed calls etc. are mirrored on the display and are easily navigated using the touchscreen (features dependent on mobile phone) • Bluetooth® connectivity • Handsfree calls via steering wheel controls • Vehicle microphone Smartphone interface: <ul style="list-style-type: none"> • Apple CarPlay™ • Android Auto™ – Smartphone projection that allows operations via voice command, touchscreen and buttons to control apps and music playback 	i05	○	●	●		400.00	480.00

● = Standard equipment. ○ = Optional at extra cost.

NEW VIVARO FEATURES/OPTIONS

INFOTAINMENT CONTINUED

	Option code	Edition	Dynamic	Sportive	Elite	Price (£) exc. VAT	Price (£) inc. VAT
<p>Multimedia Navi Pro</p> <p>Onboard features:</p> <ul style="list-style-type: none"> • 7-inch colour touchscreen • AM/FM stereo radio with 15 Station presets • DAB Digital radio • RDS with Traffic Programme • 20 watts per channel output • Four speakers (eight on Doublecab models) <p>Navigation features:</p> <ul style="list-style-type: none"> • Satellite navigation system • 3D street level mapping • European coverage • Structured or one-box destination entry • Points-of-interest search • Eco routing • Map updates via USB <p>Wi-fi enabled connected navigation features:</p> <ul style="list-style-type: none"> • Three years subscription to TomTom Live* • On-line navigation services provided by TomTom® include: • TomTom® live traffic updates • Local weather information • Nearby fuel station display • Local address search and contact info for points of interest <p>Media connections:</p> <ul style="list-style-type: none"> • USB connection with iPod control • Bluetooth® A2DP audio streaming (Advanced Audio Distribution Profile) <p>Mobile phone portal:</p> <ul style="list-style-type: none"> • Bluetooth® connectivity • Handsfree calls via steering wheel controls • Vehicle microphone • Phone book access – Contacts/last calls/missed calls etc. are mirrored on the display and are easily navigated using the touchscreen (features dependent on mobile phone). <p>Smartphone interface:</p> <ul style="list-style-type: none"> • Apple CarPlay™ • Android Auto™ – Smartphone projection that allows operations via voice command, touchscreen and buttons to control apps and music playback. 	i06		○	○	●	200.00	240.00
<p>Additional features</p> <ul style="list-style-type: none"> • Steering column mounted audio controls • Flexible roof-mounted aerial 		●	●	●	●		
<p>Vauxhall Connect</p>		●	●	●	●		

*Additional terms and conditions apply to connected services, including customer acceptance of location sharing prior to activation.

● = Standard equipment. ○ = Optional at extra cost.

NEW VIVARO FEATURES/OPTIONS

HEATING AND VENTILATION

	Option code	Edition	Dynamic	Sportive	Elite	Price (£) exc. VAT	Price (£) inc. VAT
Air conditioning • Air recirculation facility • Pollen filter • Illuminated controls • Chilled glovebox facility	C60	○	●	●	●	800.00	960.00
Electronic climate control • LCD temperature display • Automatic air direction and fan speed with manual override • Illuminated controls • Pollen filter • Chilled glovebox facility	CJ2		○	○	○	500.00	600.00

LOAD ACCESS

Side access – Panel Van only Nearside and offside side-access door: • Nearside sliding side-access door • Offside sliding side-access door • Unglazed		●	●	●	●		
Nearside and offside access Nearside and offside side-access door with fixed windows – Standard on Doublecab: • Fixed window to nearside side-access door • Fixed window to offside side-access door	8P9	○	○	○	○	100.00	120.00
Nearside and offside side-access door with sliding windows – Doublecab only: • Sliding window to nearside side-access door • Sliding window to offside side-access door	5B0	○				650.00	780.00
Handsfree electrically operated sliding side-access doors – Panel Van only. • Keyless open and start • Auto anti-dazzle rear-view mirror	DFO		○	○	○	1,125.00	1,350.00
Rear access Rear solid doors: • Twin rear doors • 90°/180° opening		●	●	●	●		
Rear glazed doors: • Glazed rear doors • 90°/180° opening • Heated rear windows with wash/wipe facility	J1X	○	○	○	○	200.00	240.00
Tailgate: • Glazed tailgate • Heated rear windows with wash/wipe facility	J1U	○	○	○	○	200.00	240.00

● = Standard equipment. ○ = Optional at extra cost.

NEW VIVARO FEATURES/OPTIONS

LOAD RESTRAINT

	Option code	Edition	Dynamic	Sportive	Elite	Price (£) exc. VAT	Price (£) inc. VAT
Load anchorage • Fixed floor-mounted load restraint lashing eyes – Six on L1 and 8 on L2 models		●	●	●	●		
Load lining • 9mm untreated wooden load floor – Panel Van only. Not available when tailgate option(s) are specified	CRJ	○	○	○	○	180.00	216.00
• 9mm coated anti-slip wooden load floor with aluminium rails – Not available on Edition Doublecab models or when tailgate option(s) are specified	CR1	○	○	○	○	225.00	270.00

EXTERIOR LIGHTING

Standard lighting • Lights-on audible warning • Reversing lights • Hazard warning lights • Rear fog lights • High-level brake light • Side-repeat indicators • Daytime running lights – LED on Sportive/Elite models		●	●	●	●		
Front fog lights			●	●	●		

EXTERIOR CONVENIENCE/STYLING

Appearance Pack • Body-colour front bumper • Body-colour rear bumper (L1 models only) • Body-colour rear corner bumper with black centre section (L2) • Body-colour mirror housings and door handles • Body-colour side-protection mouldings • Chrome-effect front grille • LED daytime running lights				●	●		
Windows • Electrically operated front windows with one-touch up/down facility		●	●	●	●		
Door mirrors • Foldable electrically adjustable/heated door mirrors		●	●	●	●		

● = Standard equipment. ○ = Optional at extra cost.

NEW VIVARO FEATURES/OPTIONS

MECHANICAL

	Option code	Edition	Dynamic	Sportive	Elite	Price (£) exc. VAT	Price (£) inc. VAT				
Transmission Six-speed manual gearbox: <ul style="list-style-type: none"> • Front-wheel drive • Transverse engine/gearbox 		●	●	●	●						
Eight-speed automatic transmission <ul style="list-style-type: none"> • Front-wheel drive • Transverse engine/gearbox <p>Replacing the traditional lever, the automatic transmission selection-mode dial/drive wheel is an innovation solution that is both elegant and intuitive.</p> <p>By simply twisting the dial, the following modes can be selected:</p> <ul style="list-style-type: none"> • Park, for when the vehicle is stationary and the wheels are locked • Drive, for automatic forward motion • Neutral, for when the vehicle is stationary, wheels are free • Reverse, for automatic backward motion <p>For an extra experience of dynamism, the shift paddles for automatic transmissions are located behind the steering wheel, offering drivers an extra level of control that is highly ergonomic and intuitive. The shift paddles function in the following way:</p> <ul style="list-style-type: none"> • To go up a gear, the driver must pull the right lever towards themselves • To go down a gear, the driver must pull the left lever towards themselves <p>– Please note: only consecutive gear changes are possible</p>		▲	▲	▲	▲						
Steering <ul style="list-style-type: none"> • Hydraulic power-assisted rack and pinion system • Energy absorbing steering column 		●	●	●	●						
<table border="1"> <thead> <tr> <th>Turning circles</th> <th>Kerb-to-kerb</th> </tr> </thead> <tbody> <tr> <td>L1/L2</td> <td>12.4m (40.7ft.)</td> </tr> </tbody> </table>	Turning circles	Kerb-to-kerb	L1/L2	12.4m (40.7ft.)							
Turning circles	Kerb-to-kerb										
L1/L2	12.4m (40.7ft.)										
Brakes Front ventilated disc brakes: <ul style="list-style-type: none"> • 304mm x 28mm Rear disc brakes: <ul style="list-style-type: none"> • 290mm x 12mm 		●	●	●	●						
Fuel tank <ul style="list-style-type: none"> • 70 litres (15.4 gallons) capacity 		●	●	●	●						

● = Standard equipment. ▲ = See price page for details.


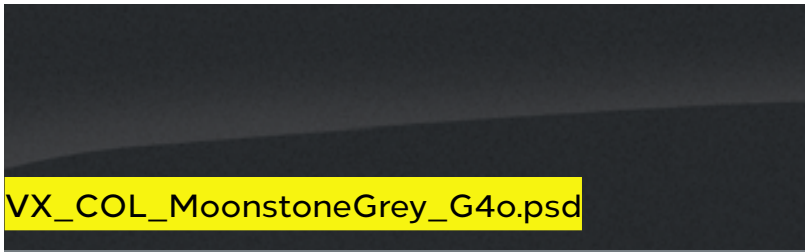


NEW VIVARO FEATURES/OPTIONS

MECHANICAL CONTINUED

	Option code	Edition	Dynamic	Sportive	Elite	Price (£) exc. VAT	Price (£) inc. VAT
AdBlue® tank • 22.5 litres (4.95 gallons) capacity		●	●	●	●		
CANbus interface	WRF	○	○	○	○	90.00	108.00
 Tow bar • Heavy duty removable towing hook with tool (ball and hook) • Provision for tow bar • Towing connector	8PI	○	○	○	○	400.00	480.00
 Tow bar • Removable monoblock towing ball with tool (ball) • Provision for tow bar • Towing connector	V76	○	○	○	○	300.00	360.00
 Tow bar • Removable monoblock towing ball without tool • Provision for tow bar • Towing connector	VQ9	○	○	○	○	400.00	480.00

● = Standard equipment. ○ = Optional at extra cost.




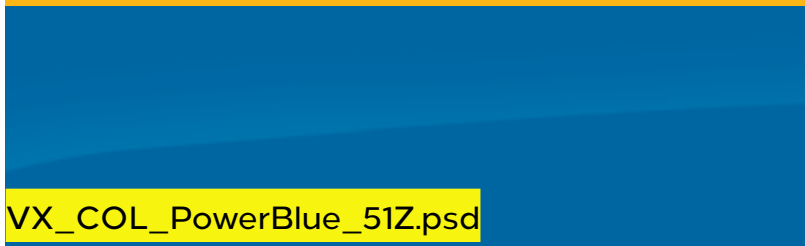
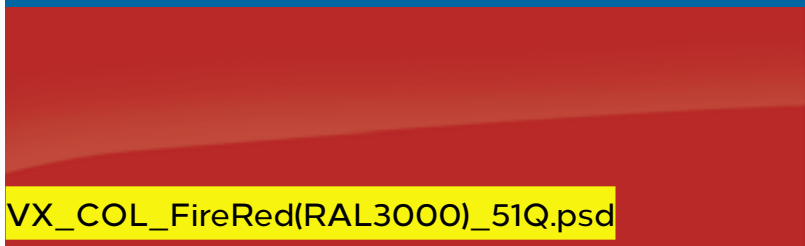

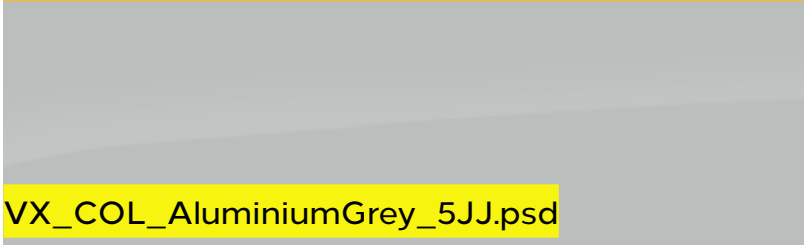

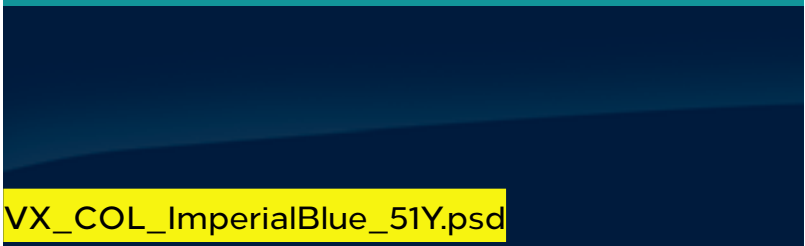
NEW VIVARO EXTERIOR COLOURS

			Edition	Dynamic	Sportive	Elite	Price (£) exc. VAT	Price (£) inc. VAT
Solid		Jade White (G2o) VX_COL_White_Jade_G2o.psd	●	●	●	●		
Two-coat		Moonstone Grey metallic (G4o) VX_COL_MoonstoneGrey_G4o.psd						
		Quartz Grey metallic (G4i) VX_COL_QuartzGrey_G4i.psd	○	○	N/C	N/C	500.00	600.00
		Diamond Black metallic (G7o) VX_COL_DiamondBlack_G7o.psd						

The colours reproduced may vary slightly from the actual paint colour. As a result they should be used as a guide only. Your Vauxhall Retailer has a comprehensive display of our paint samples.

● = Standard equipment. ○ = Optional at extra cost. N/C = No-cost option.

NEW VIVARO SPECIAL COLOURS




		Edition	Dynamic	Sportive	Elite	Price (£) exc. VAT	Price (£) inc. VAT
Special Colours	 Post Yellow (51P) VX_COL_PostYellow_51P.psd						
	 Post Red (51T) VX_COL_PostRed_51T.psd						
	 Genet Yellow (51B/RAL 1032) VX_COL_GenetYellow(RAL1032)_51B.psd						
	 Power Blue (51Z) VX_COL_PowerBlue_51Z.psd						
	 Fire Red (51Q/RAL 3000) VX_COL_FireRed(RAL3000)_51Q.psd						
	 Golden Yellow (51A/RAL 1004) VX_COL_GoldenYellow(RAL1004)_51A.psd						
	 Aluminium Grey (5JJ) VX_COL_AluminiumGrey_5JJ.psd						
	 Lagoon Blue (51F) VX_COL_LagoonBlue_51F.psd	○	○			800.00	960.00
	 Imperial Blue (51Y) VX_COL_ImperialBlue_51Y.psd						

Additional lead-time for special paint will be confirmed at order placement (event 25). Consult Retailer for details.

The colours reproduced may vary slightly from the actual paint colour. As a result they should be used as a guide only. Your Vauxhall Retailer has a comprehensive display of our paint samples.



○ = **Optional at extra cost.**

NEW VIVARO WHEELS AND TYRES

	Option code	Edition	Dynamic	Sportive	Elite	Price (£) exc. VAT	Price (£) inc. VAT
Full-size spare wheel		●	●	●	●		
All-season tyres • 215/65 R 17 – Only available when 17-inch wheels are specified.	Q40	○	○	○	○	200.00	240.00
Tyre inflation kit in lieu of spare wheel	KTi	N/C	N/C	N/C	N/C	No-cost option	
 16-inch steel wheels with centre cap • 215/65 R 16 tyres		●					
 16-inch steel wheels with full-diameter wheel trims • 215/65 R 16 tyres			●	●			
 17-inch silver alloy wheels • 215/60 R 17 tyres • Locking wheel bolts	RVF		○	○	●	400.00	480.00

● = Standard equipment. ○ = Optional at extra cost. N/C = No-cost option.

NEW VIVARO WHEELS AND TYRES

	Option code	Edition	Dynamic	Sportive	Elite	Price (£) exc. VAT	Price (£) inc. VAT
 <p>17-inch steel wheels with centre cap</p> <ul style="list-style-type: none"> • 215/60 R 17 tyres - Not available on Platform Cab. <p>VX_VIV_29656.psd</p>	RS9	O				120.00	144.00
 <p>17-inch steel wheels with full-diameter wheel trims</p> <ul style="list-style-type: none"> • 215/60 R 17 tyres <p>VX_VIV_29657.psd</p>	RVE		O	O		200.00	240.00

O = Optional at extra cost.

NEW VIVARO DIESEL ENGINES

Engine	1.5 (100PS) Turbo D Start/Stop BlueInjection	1.5 (120PS) Turbo D Start/Stop BlueInjection	2.0 (120PS) Turbo D Start/Stop BlueInjection
Capacity	1499cc	1499cc	1997cc
Maximum power	100PS (75kW) @ 3500rpm	120PS (88kW) @ 3500rpm	120PS (88kW) @ 3500rpm
Maximum torque	270Nm (184 lb.ft.) @ 1600rpm	300Nm (221 lb.ft.) @ 1750rpm	340Nm (251 lb.ft.) @ 2000rpm
Configuration	4 cylinders, 4 valves per cylinder, double overhead camshafts	4 cylinders, 4 valves per cylinder, double overhead camshafts	4 cylinders, 4 valves per cylinder, double overhead camshafts
Emission compliance	Euro 6D TEMP (6.2)	Euro 6D TEMP (6.2)	Euro 6D TEMP (6.2)
Service interval	25,000 miles or 2 years (whichever occurs sooner)	25,000 miles or 2 years (whichever occurs sooner)	30,000 miles or 2 years (whichever occurs sooner)

Engine	2.0 (150PS) Turbo D Start/Stop BlueInjection	2.0 (180PS) Turbo D Start/Stop BlueInjection
Capacity	1997cc	1997cc
Maximum power	150PS (110kW) @ 3500rpm	180PS (130kW) @ 3500rpm
Maximum torque	370Nm (273 lb.ft.) @ 2000rpm	400Nm (295 lb.ft.) @ 2000rpm
Configuration	4 cylinders, 4 valves per cylinder, double overhead camshafts	4 cylinders, 4 valves per cylinder, double overhead camshafts
Emission compliance	Euro 6D TEMP (6.2)	Euro 6D TEMP (6.2)
Service interval	30,000 miles or 2 years (whichever occurs sooner)	30,000 miles or 2 years (whichever occurs sooner)

NEW VIVARO DIMENSIONS

Loadspace Dimensions	L1	L2
Maximum length at load floor – Panel Van	2512 (98.9)	2862 (112.7)
Mid-height load length – Panel Van	2185 (86.0)	2535 (99.8)
Maximum length with load-through facility maximum length to front footwell – Panel Van	3674 (144.6)	4024 (158.4)
Maximum length at load floor – Doublecab	2017 (79.4)	2365 (93.1)
Mid-height load length behind rear seats – Doublecab	1352 (53.3)	1700 (66.9)
Maximum length at load floor – Doublecab with folding bulkhead (bench seat down)	2018 (79.5)	2367 (93.2)
Maximum length at load floor – Doublecab with folding bulkhead (bench seat folded up)	2029 (79.9)	2376 (93.5)
Maximum width	1636 (64.4)	1636 (64.4)
Width between wheel arches	1258 (49.5)	1258 (49.5)
Maximum height	1397 (55.0)	1397 (55.0)
Loadspace Access millimetres (inches)		
Side door aperture height	1241 (48.8)	1241 (48.8)
Side door aperture width	935 (36.8)	935 (36.8)
Rear door aperture height	1220 (48.0)	1220 (48.0)
Rear door aperture width	1282 (50.5)	1282 (50.5)
Loading height – Maximum	613 (24.1)	633 (24.9)
Loading height – Minimum	544 (21.4)	600 (23.6)

Loadspace Volumes cu.m (cu.ft.)	L1	L2
Panel Van	5.3 (187.2)	6.1 (215.4)
Panel Van with load-through facility	5.8 (204.8)	6.6 (233.1)
Doublecab	3.2 (113.0)	4.0 (141.3)
Doublecab with folding bulkhead	4.7 (166.0)	5.5 (194.2)
Exterior dimensions		
Overall length	4959 (129.0)	5309 (209.0)
Width – including door mirrors	2204 (86.8)	2204 (86.8)
Width – excluding door mirrors	1920 (75.6)	1920 (75.6)
Height – standard payload	1905 (75.0)	-
Height – increased payload	1940 (76.4)	1935 (76.2)
Height – Platform Cab	1930 (76.0)	-
Wheelbase	3275 (129.0)	3275 (129.0)
Front overhang	881 (34.7)	881 (34.7)
Rear overhang	803 (31.6)	1153 (45.4)
Ground clearance	150 (5.9)	150 (5.9)

NEW MOVANO RANGE HIGHLIGHTS



EDITION PANEL VAN

Standard features include:

Infotainment:

- AM/FM/DAB digital radio • CD/MP3 Player
- Bluetooth® connectivity
- USB audio connection with iPod control
- Two 15-watt speakers
- RDS with Traffic Programme

Safety/security:

- Driver's airbag
- Height-adjustable outer front seatbelts
- Nearside blind spot/junction mirror (in front passenger sunvisor)
- Wide-angle mirror on driver's side
- Electronic stability programme with traction control
- Side wind assist
- Anti-lock braking system
- Full-height steel bulkhead
- Electronic engine deadlock immobiliser
- Remote control central door deadlocking with selective door locking
- Automatic lighting control with tunnel detection
- Internal lockable cargo doors
- Under-floor spare wheel storage – Wind down only when rear doors opened

Interior convenience/styling:

- Height-adjustable steering wheel
- Adjustable driver's seat with armrest
- Dual front passengers' bench seat
- 12-volt accessory socket
- Overhead storage shelf and 11L lidded glovebox
- Floor-mounted, load-securing eyes

Exterior convenience/styling:

- Rain-sensitive windscreen wipers
- Electrically operated front windows
- Foldable electrically adjustable/heated mirrors
- Easy access nearside sliding side-access door
- Unglazed rear doors

Mechanical:

- 80-litre fuel tank
- 26-litre AdBlue tank
- 95Ah maintenance-free battery (105Ah on Tecshift models)
- 185A alternator



DOUBLECAB

Features over Panel Van:

- Fixed windows to standard nearside sliding side-access door and opposite body panel
- Dual front passengers' multi-function office bench seat, featuring flat-folding backrest with twin drinks holders, flat work surface, swivelling tray and underseat storage
- Four-individually contoured rear seats
- Inertia-reel lap and diagonal seatbelts
- Padded head restraints
- Full-length tray under rear seat cushion
- Full-height ABS plastic bulkhead with window



CHASSIS/CREW/ PLATFORM CAB MODELS

Chassis Cab, Crew Cab and Platform Cab models provide the perfect base for one of three factory-built conversions: Tipper, Dropside or Box Van. They also provide an excellent base for a wide variety of specialist body conversions.

Chassis/Crew Cab:

- Box section chassis rails
- Wide top sections with built-in mounting points
- Rear under-run bar (4500 models only)
- Crew Cab models additionally feature a four passenger rear bench seat with underseat storage

Platform Cab:

Ideal for those conversions requiring a low floor and walk-through access from the cab.

NEW MOVANO PANEL VAN PRICES

	Minimum Mass (kg)*	Maximum Payload (kg)*	Fuel economy mpg (litres/100km)#			CO ₂ (g/km)#	Price (£) exc. VAT	On-the-road RRP (£) exc. VAT
			Urban driving	Extra-urban driving	Combined figure			
L1 H1 FWD EDITION PANEL VAN EURO 6D TEMP								
2800 2.3 (135PS) Turbo D	1880	920	42.0 – 42.2 (6.7 – 6.7)	38.7 – 42.2 (7.3 – 6.7)	39.9 – 42.2 (7.1 – 6.7)	187 – 177	28,655.00	29,558.33
3300 2.3 (135PS) Turbo D	1880	1420	42.0 – 42.2 (6.7 – 6.7)	38.7 – 42.2 (7.3 – 6.7)	39.9 – 42.2 (7.1 – 6.7)	187 – 177	29,905.00	30,808.33
3500 2.3 (135PS) Turbo D	1880	1620	42.0 – 42.2 (6.7 – 6.7)	38.7 – 42.2 (7.3 – 6.7)	39.9 – 42.2 (7.1 – 6.7)	187 – 177	30,555.00	31,458.33
3500 2.3 (150PS) Turbo D Start/Stop	1880	1620	51.6 – 53.2 (5.5 – 5.3)	43.7 – 46.3 (6.5 – 6.1)	46.3 – 48.4 (6.1 – 5.8)	161 – 154	31,665.00	32,568.33
L1 H2 FWD EDITION PANEL VAN EURO 6D TEMP								
2800 2.3 (135PS) Turbo D	1902	898	42.0 – 42.2 (6.7 – 6.7)	38.7 – 42.2 (7.3 – 6.7)	39.9 – 42.2 (7.1 – 6.7)	187 – 177	29,255.00	30,158.33
3300 2.3 (135PS) Turbo D	1902	1398	42.0 – 42.2 (6.7 – 6.7)	38.7 – 42.2 (7.3 – 6.7)	39.9 – 42.2 (7.1 – 6.7)	187 – 177	30,505.00	31,408.33
3500 2.3 (135PS) Turbo D	1902	1598	42.0 – 42.2 (6.7 – 6.7)	38.7 – 42.2 (7.3 – 6.7)	39.9 – 42.2 (7.1 – 6.7)	187 – 177	31,155.00	32,058.33
3500 2.3 (150PS) Turbo D Start/Stop	1902	1598	51.6 – 53.2 (5.5 – 5.3)	43.7 – 46.0 (6.5 – 6.1)	46.3 – 48.5 (6.1 – 5.8)	161 – 154	32,265.00	33,168.33
L2 H2 FWD EDITION PANEL VAN EURO 6D TEMP								
3300 2.3 (135PS) Turbo D	1971	1329	42.0 – 42.2 (6.7 – 6.7)	38.7 – 42.2 (7.3 – 6.7)	39.9 – 42.1 (7.1 – 6.7)	187 – 177	31,860.00	32,763.33
3500 2.3 (135PS) Turbo D	1971	1529	42.0 – 42.2 (6.7 – 6.7)	38.7 – 42.2 (7.3 – 6.7)	39.9 – 42.1 (7.1 – 6.7)	187 – 177	32,510.00	33,413.33
3500 2.3 (150PS) Turbo D Start/Stop	1971	1529	51.6 – 53.2 (5.5 – 5.3)	43.7 – 46.0 (6.5 – 6.1)	46.3 – 48.4 (6.1 – 5.8)	161 – 154	33,620.00	34,523.33
3500 2.3 (180PS) Turbo D Start/Stop Tecshift	tba	tba	tba	tba	tba	tba	35,745.00	36,648.33

Please note: On-the-road recommended retail prices (RRP) include number plates and delivery to Retailer of £583.33, 12 months' Vehicle Excise Duty (£265.00) and new vehicle first registration fee of £55.00. Excludes fuel and insurance.

All Movanos include BlueInjection. Vehicles with BlueInjection technology will need regular AdBlue® top-ups also between servicing requirements. An indicator integrated into the on-board computer will warn you when you need to top up. More information under www.vauxhall.co.uk/adblue. In accordance with regulations R (EC) No. 715/2007 and R (EC) No. 692/2008 (in the versions respectively applicable).

#Fuel consumption data and CO₂ emission data are determined using the Worldwide harmonized Light vehicles Test Procedure (WLTP), and the relevant values are translated back to allow the comparability into NEDC, according to regulations R (EC) No. 715/2007, R (EU) No. 2017/1153 and R (EU) No. 2017/1151. The values do not take into account in particular use and driving conditions, equipment or options and may vary depending on the format of tyres. For more information on official fuel consumption and CO₂ emission values, please read the guidelines at <http://vanfueldata.dft.gov.uk/>

*For definitions please refer to Glossary of Terms.

NEW MOVANO PANEL VAN PRICES

	Minimum Mass (kg)*	Maximum Payload (kg)*	Fuel economy mpg (litres/100km)#			CO ₂ (g/km)#	Price (£) exc. VAT	On-the-road RRP (£) exc. VAT
			Urban driving	Extra-urban driving	Combined figure			
L2 H3 FWD EDITION PANEL VAN EURO 6D TEMP								
3500 2.3 (135PS) Turbo D	2000	1500	42.0 – 42.2 (6.7 – 6.7)	38.7 – 42.2 (7.3 – 6.7)	39.9 – 42.2 (7.1 – 6.7)	187 – 177	33,210.00	34,113.33
3500 2.3 (150PS) Turbo D Start/Stop	2000	1500	51.6 – 53.2 (5.5 – 5.3)	43.7 – 46.0 (6.5 – 6.1)	46.3 – 48.5 (6.1 – 5.8)	161 – 154	34,320.00	35,223.33
3500 2.3 (180PS) Turbo D Start/Stop Tecshift	tba	tba	tba	tba	tba	tba	36,445.00	37,348.33
L3 H2 FWD EDITION PANEL VAN EURO 6D TEMP								
3500 2.3 (135PS) Turbo D	2069	1431	42.0 – 42.2 (6.7 – 6.7)	38.7 – 42.2 (7.3 – 6.7)	39.9 – 42.2 (7.1 – 6.7)	187 – 177	33,210.00	34,113.33
3500 2.3 (150PS) Turbo D Start/Stop	2069	1431	51.6 – 53.2 (5.5 – 5.3)	43.7 – 46.0 (6.5 – 6.1)	46.3 – 48.4 (6.1 – 5.8)	161 – 154	34,320.00	35,223.33
3500 2.3 (180PS) Turbo D Start/Stop	2069	1431	41.7 – 46.3 (6.8 – 6.1)	38.7 – 40.2 (7.3 – 7.0)	40.8 – 41.2 (6.9 – 6.9)	183 – 175	35,570.00	36,473.33
3500 2.3 (180PS) Turbo D Start/Stop Tecshift	tba	tba	tba	tba	tba	tba	36,445.00	37,348.33
L3 H3 FWD EDITION PANEL VAN EURO 6D TEMP								
3500 2.3 (135PS) Turbo D	2076	1424	42.0 – 42.2 (6.7 – 6.7)	38.7 – 42.2 (7.3 – 6.7)	39.9 – 42.2 (7.1 – 6.7)	187 – 177	33,910.00	34,813.33
3500 2.3 (150PS) Turbo D Start/Stop	2076	1424	51.6 – 53.2 (5.5 – 5.3)	43.7 – 46.0 (6.5 – 6.1)	46.3 – 48.4 (6.1 – 5.8)	161 – 154	35,020.00	35,923.33

Please note: On-the-road recommended retail prices (RRP) include number plates and delivery to Retailer of £583.33, 12 months' Vehicle Excise Duty (£265.00) and new vehicle first registration fee of £55.00. Excludes fuel and insurance.

All Movanos include BlueInjection. Vehicles with BlueInjection technology will need regular AdBlue® top-ups also between servicing requirements. An indicator integrated into the on-board computer will warn you when you need to top up. More information under www.vauxhall.co.uk/adblue. In accordance with regulations R (EC) No. 715/2007 and R (EC) No. 692/2008 (in the versions respectively applicable).

#Fuel consumption data and CO₂ emission data are determined using the Worldwide harmonized Light vehicles Test Procedure (WLTP), and the relevant values are translated back to allow the comparability into NEDC, according to regulations R (EC) No. 715/2007, R (EU) No. 2017/1153 and R (EU) No. 2017/1151. The values do not take into account in particular use and driving conditions, equipment or options and may vary depending on the format of tyres. For more information on official fuel consumption and CO₂ emission values, please read the guidelines at <http://vanfueldata.dft.gov.uk/>

*For definitions please refer to Glossary of Terms.

NEW MOVANO PANEL VAN PRICES

	Minimum Mass (kg)*	Maximum Payload (kg)*	Fuel economy mpg (litres/100km)#			CO ₂ (g/km)#	Price (£) exc. VAT	On-the-road RRP (£) exc. VAT
			Urban driving	Extra-urban driving	Combined figure			
L3 H2 RWD EDITION PANEL VAN EURO Vid								
3500 2.3 (130PS) Turbo D	2297	1203	30.0 (9.4)	34.8 (8.1)	32.8 (8.6)	224	34,510.00	35,413.33
3500 2.3 (145PS) Turbo D Start/Stop	2297	1203	34.0 (8.3)	35.3 (8.0)	34.8 (8.1)	211	35,620.00	36,523.33
3500 DRW 2.3 (130PS) Turbo D	2352	1148	29.1 (9.7)	33.2 (8.5)	31.4 (9.0)	233	35,110.00	36,013.33
3500 DRW 2.3 (145PS) Turbo D Start/Stop	2352	1148	31.7 (8.9)	33.6 (8.4)	32.8 (8.6)	225	36,220.00	37,123.33
4500 DRW 2.3 (130PS) Turbo D Tacho	2352	2148	N/A (N2)	N/A (N2)	N/A (N2)	N/A (N2)	36,765.00	37,568.33
4500 DRW 2.3 (165PS) Turbo D Start/Stop Tacho	2352	2148	N/A (N2)	N/A (N2)	N/A (N2)	N/A (N2)	39,125.00	39,928.33
L3 H3 RWD EDITION PANEL VAN EURO Vid								
3500 2.3 (130PS) Turbo D	2315	1185	30.0 (9.4)	34.8 (8.1)	32.8 (8.6)	224	35,210.00	36,113.33
3500 2.3 (145PS) Turbo D Start/Stop	2315	1185	34.0 (8.3)	35.3 (8.0)	34.8 (8.1)	211	36,320.00	37,223.33
3500 DRW 2.3 (130PS) Turbo D	2375	1125	29.1 (9.7)	33.2 (8.5)	31.4 (9.0)	233	35,810.00	36,713.33
3500 DRW 2.3 (145PS) Turbo D Start/Stop	2375	1125	31.7 (8.9)	33.6 (8.4)	32.8 (8.6)	225	36,920.00	37,823.33
4500 DRW 2.3 (130PS) Turbo D Tacho	2375	2125	N/A (N2)	N/A (N2)	N/A (N2)	N/A (N2)	37,465.00	38,268.33
4500 DRW 2.3 (165PS) Turbo D Start/Stop Tacho	2375	2125	N/A (N2)	N/A (N2)	N/A (N2)	N/A (N2)	39,825.00	40,628.33

DRW = Dual Rear Wheels.

Please note: On-the-road recommended retail prices (RRP) include number plates and delivery to Retailer of £583.33, 12 months' Vehicle Excise Duty at £265.00 (£165.00 on 4500kg models) and new vehicle first registration fee of £55.00. Excludes fuel and insurance.

All Movanos include BlueInjection. Vehicles with BlueInjection technology will need regular AdBlue® top-ups also between servicing requirements. An indicator integrated into the on-board computer will warn you when you need to top up. More information under www.vauxhall.co.uk/adblue. In accordance with regulations R (EC) No. 715/2007 and R (EC) No. 692/2008 (in the versions respectively applicable).

#Fuel consumption and CO₂ data is official government environmental data, tested in accordance with the relevant EU directive. Official EU-regulated test data is provided for comparison purposes. The values do not take into account in particular use and driving conditions, equipment or options and may vary depending on the format of tyres. For more information on official fuel consumption and CO₂ emission values, please read the guidelines at <http://vanfueldata.dft.gov.uk/>

*For definitions please refer to Glossary of Terms.

NEW MOVANO PANEL VAN PRICES

	Minimum Mass (kg)*	Maximum Payload (kg)*	Fuel economy mpg (litres/100km)#			CO ₂ (g/km)#	Price (£) exc. VAT	On-the-road RRP (£) exc. VAT
			Urban driving	Extra-urban driving	Combined figure			
L4 H2 RWD EDITION PANEL VAN EURO VI_d								
3500 2.3 (130PS) Turbo D	2296	1204	30.0 (9.4)	34.8 (8.1)	32.8 (8.6)	224	35,410.00	36,313.33
3500 2.3 (145PS) Turbo D Start/Stop	2296	1204	34.0 (8.3)	35.3 (8.0)	34.8 (8.1)	211	36,520.00	37,423.33
3500 2.3 (165PS) Turbo D Start/Stop	2296	1204	34.0 (8.3)	35.3 (8.0)	34.8 (8.1)	211	37,770.00	38,673.33
3500 DRW 2.3 (130PS) Turbo D	2392	1108	29.1 (9.7)	33.2 (8.5)	31.4 (9.0)	233	36,010.00	36,913.33
3500 DRW 2.3 (145PS) Turbo D Start/Stop	2392	1108	31.7 (8.9)	33.6 (8.4)	32.8 (8.6)	225	37,120.00	38,023.33
4500 DRW 2.3 (130PS) Turbo D Tacho	2392	2108	N/A (N2)	N/A (N2)	N/A (N2)	N/A (N2)	37,665.00	38,468.33
4500 DRW 2.3 (165PS) Turbo D Start/Stop Tacho	2392	2108	N/A (N2)	N/A (N2)	N/A (N2)	N/A (N2)	40,025.00	40,828.33
L4 H3 RWD EDITION PANEL VAN EURO VI_d								
3500 2.3 (130PS) Turbo D	2343	1157	30.0 (9.4)	34.8 (8.1)	32.8 (8.6)	224	36,110.00	37,013.33
3500 2.3 (145PS) Turbo D Start/Stop	2343	1157	34.0 (8.3)	35.3 (8.0)	34.8 (8.1)	211	37,220.00	38,123.33
3500 2.3 (165PS) Turbo D Start/Stop	2343	1157	34.0 (8.3)	35.3 (8.0)	34.8 (8.1)	211	38,470.00	39,373.33
3500 DRW 2.3 (130PS) Turbo D	2463	1037	29.1 (9.7)	33.2 (8.5)	31.4 (9.0)	233	36,710.00	37,613.33
3500 DRW 2.3 (145PS) Turbo D Start/Stop	2463	1037	31.7 (8.9)	33.6 (8.4)	32.8 (8.6)	225	37,820.00	38,723.33
4500 DRW 2.3 (130PS) Turbo D Tacho	2463	2037	N/A (N2)	N/A (N2)	N/A (N2)	N/A (N2)	38,365.00	39,168.33
4500 DRW 2.3 (165PS) Turbo D Start/Stop Tacho	2463	2037	N/A (N2)	N/A (N2)	N/A (N2)	N/A (N2)	40,725.00	41,528.33

DRW = Dual Rear Wheels.

Please note: On-the-road recommended retail prices (RRP) include number plates and delivery to Retailer of £583.33, 12 months' Vehicle Excise Duty at £265.00 (£165.00 on 4500kg models) and new vehicle first registration fee of £55.00. Excludes fuel and insurance.

All Movanos include BlueInjection. Vehicles with BlueInjection technology will need regular AdBlue® top-ups also between servicing requirements. An indicator integrated into the on-board computer will warn you when you need to top up.

More information under www.vauxhall.co.uk/adblue. In accordance with regulations R (EC) No. 715/2007 and R (EC) No. 692/2008 (in the versions respectively applicable).

#Fuel consumption and CO₂ data is official government environmental data, tested in accordance with the relevant EU directive. Official EU-regulated test data is provided for comparison purposes. The values do not take into account in particular use and driving conditions, equipment or options and may vary depending on the format of tyres. For more information on official fuel consumption and CO₂ emission values, please read the guidelines at <http://vanfueldata.dft.gov.uk/>

*For definitions please refer to Glossary of Terms.

NEW MOVANO DOUBLECAB PRICES

	Minimum Mass (kg)*	Maximum Payload (kg)*	Fuel economy mpg (litres/100km)#			CO ₂ (g/km)#	Price (£) exc. VAT	On-the-road RRP (£) exc. VAT
			Urban driving	Extra-urban driving	Combined figure			
L2 H2 FWD EDITION DOUBLECAB EURO 6D TEMP								
3500 2.3 (135PS) Turbo D	2167	1333	42.0 – 42.2 (6.7 – 6.7)	38.7 – 42.2 (7.3 – 6.7)	39.9 – 42.2 (7.1 – 6.7)	187 – 177	34,160.00	35,063.33
3500 2.3 (150PS) Turbo D Start/Stop	2167	1333	53.2 – 51.6 (5.3 – 5.5)	43.7 – 46.0 (6.5 – 6.1)	46.3 – 48.5 (6.1 – 5.8)	161 – 154	35,270.00	36,173.33
L3 H2 FWD EDITION DOUBLECAB EURO 6D TEMP								
3500 2.3 (135PS) Turbo D	2262	1238	42.0 – 42.2 (6.7 – 6.7)	38.7 – 42.2 (7.3 – 6.7)	39.9 – 42.2 (7.1 – 6.7)	187 – 177	34,860.00	35,763.33
3500 2.3 (150PS) Turbo D Start/Stop	2262	1238	53.2 – 51.6 (5.3 – 5.5)	43.7 – 46.0 (6.5 – 6.1)	46.3 – 48.5 (6.1 – 5.8)	161 – 154	35,970.00	36,873.33
L3 H2 RWD EDITION DOUBLECAB EURO VI_d								
3500 2.3 (130PS) Turbo D	2490	1010	30.0 (9.4)	34.8 (8.1)	32.8 (8.6)	224	36,160.00	37,063.33
3500 2.3 (145PS) Turbo D Start/Stop	2490	1010	34.0 (8.3)	35.3 (8.0)	34.8 (8.1)	211	37,270.00	38,173.33

Please note: On-the-road recommended retail prices (RRP) include number plates and delivery to Retailer of £583.33, 12 months' Vehicle Excise Duty (£265.00) and new vehicle first registration fee of £55.00. Excludes fuel and insurance.

All Movanos include BlueInjection. Vehicles with BlueInjection technology will need regular AdBlue® top-ups also between servicing requirements. An indicator integrated into the on-board computer will warn you when you need to top up. More information under www.vauxhall.co.uk/adblue. In accordance with regulations R (EC) No. 715/2007 and R (EC) No. 692/2008 (in the versions respectively applicable).

#FWD fuel consumption and CO₂ data are determined using the Worldwide harmonized Light vehicles Test Procedure (WLTP), and the relevant values are translated back to allow the comparability into NEDC, according to regulations R (EC) No. 715/2007, R (EU) No. 2017/1153 and R (EU) No. 2017/1151. RWD fuel consumption and CO₂ data is official government environmental data, tested in accordance with the relevant EU directive. Official EU-regulated test data is provided for comparison purposes. The values do not take into account in particular use and driving conditions, equipment or options and may vary depending on the format of tyres. For more information on official fuel consumption and CO₂ emission values, please read the guidelines at <http://vanfueldata.dft.gov.uk/>

*For definitions please refer to Glossary of Terms.

NEW MOVANO CHASSIS CAB PRICES

	Minimum Mass (kg)*	Maximum Payload (kg)*	Fuel economy mpg (litres/100km)#			CO ₂ (g/km)#	Price (£) exc. VAT	On-the-road RRP (£) exc. VAT
			Urban driving	Extra-urban driving	Combined figure			
L2 H1 FWD CHASSIS CAB EURO 6D TEMP								
3500 2.3 (135PS) Turbo D	1765	1735	42.1 (6.7)	37.4 (7.5)	39.0 (7.2)	191	30,810.00	31,713.33
L3 H1 FWD CHASSIS CAB EURO 6D TEMP								
3500 2.3 (135PS) Turbo D	1786	1714	42.1 (6.7)	37.4 (7.5)	39.0 (7.2)	191	31,310.00	32,213.33
3500 2.3 (150PS) Turbo D Start/Stop	1786	1714	48.6 (5.8)	39.7 (7.1)	42.6 (6.6)	175	32,420.00	33,323.33
L2 H1 RWD CHASSIS CAB EURO 6D TEMP								
3500 2.3 (130PS) Turbo D	1878	1622	30.0 (9.4)	34.8 (8.1)	32.8 (8.6)	224	32,110.00	33,013.33
3500 DRW 2.3 (130PS) Turbo D	2058	1442	34.0 (8.3)	35.3 (8.0)	34.8 (8.1)	211	32,725.00	33,628.33
4500 DRW 2.3 (165PS) Turbo D Start/Stop Tacho	2058	2442	N/A (N2)	N/A (N2)	N/A (N2)	N/A (N2)	36,740.00	37,543.33
L3 H1 RWD CHASSIS CAB EURO V1d								
3500 2.3 (130PS) Turbo D	1928	1572	30.0 (9.4)	34.8 (8.1)	32.8 (8.6)	224	32,610.00	33,513.33
3500 2.3 (145PS) Turbo D Start/Stop	1928	1572	29.1 (9.7)	33.2 (8.5)	31.4 (9.0)	233	33,720.00	34,623.33
3500 DRW 2.3 (130PS) Turbo D	2069	1431	34.0 (8.3)	35.3 (8.0)	34.8 (8.1)	211	33,210.00	34,113.33
3500 DRW 2.3 (145PS) Turbo D Start/Stop	2069	1431	31.7 (8.9)	33.6 (8.4)	32.8 (8.6)	225	34,320.00	35,223.33
4500 DRW 2.3 (165PS) Turbo D Start/Stop Tacho	2069	2431	N/A (N2)	N/A (N2)	N/A (N2)	N/A (N2)	37,225.00	38,028.33

DRW = Dual Rear Wheels.

Please note: On-the-road recommended retail prices (RRP) include number plates and delivery to Retailer of £583.33 (exc. VAT), 12 months' Vehicle Excise Duty at £265.00 (£165.00 on 4500kg models) and new vehicle first registration fee of £55.00. Excludes fuel and insurance.

All Movanos include BlueInjection. Vehicles with BlueInjection technology will need regular AdBlue® top-ups also between servicing requirements. An indicator integrated into the on-board computer will warn you when you need to top up.

More information under www.vauxhall.co.uk/adblue. In accordance with regulations R (EC) No. 715/2007 and R (EC) No. 692/2008 (in the versions respectively applicable).

All conversions must follow 'Vauxhall Converter Requirements' including recommended dimensional data, detailed within Part 1, available at: www.converters-and-groupe-psa.com. The weight of any fitted conversion body will have to be deducted from these figures to establish actual payload and is subject to correct weight distribution. Variations from the recommended dimensions or weights may affect the vehicle's overall centre of gravity and stability. From 29 April 2013 conversion of N1 vehicles was affected by changes to type approval - for further information refer to the VCA website (N2 vehicles were affected from 29 October 2014). For further information please contact conversions@vauxhall.co.uk

#FWD fuel consumption and CO₂ data are determined using the Worldwide harmonized Light vehicles Test Procedure (WLTP), and the relevant values are translated back to allow the comparability into NEDC, according to regulations R (EC) No. 715/2007, R (EU) No. 2017/1153 and R (EU) No. 2017/1151. RWD fuel consumption and CO₂ data is official government environmental data, tested in accordance with the relevant EU directive. Official EU-regulated test data is provided for comparison purposes. The values do not take into account in particular use and driving conditions, equipment or options and may vary depending on the format of tyres. For more information on official fuel consumption and CO₂ emission values, please read the guidelines at <http://vanfueldata.dft.gov.uk/>

*For definitions please refer to Glossary of Terms.

NEW MOVANO CHASSIS CAB PRICES

	Minimum Mass (kg)*	Maximum Payload (kg)*	Fuel economy mpg (litres/100km)#			CO ₂ (g/km)#	Price (£) exc. VAT	On-the-road RRP (£) exc. VAT
			Urban driving	Extra-urban driving	Combined figure			
L4 H1 RWD CHASSIS CAB EURO VI_d								
3500 DRW 2.3 (130PS) Turbo D	2074	1426	34.0 (8.3)	35.3 (8.0)	34.8 (8.1)	211	33,910.00	34,813.33
3500 DRW 2.3 (145PS) Turbo D Start/Stop	2074	1426	31.7 (8.9)	33.6 (8.4)	32.8 (8.6)	225	35,020.00	35,923.33
4500 DRW 2.3 (165PS) Turbo D Start/Stop Tacho	2074	2426	N/A (N2)	N/A (N2)	N/A (N2)	N/A (N2)	37,925.00	38,728.33

DRW = Dual Rear Wheels.

Please note: On-the-road recommended retail prices (RRP) include number plates and delivery to Retailer of £583.33 (exc. VAT), 12 months' Vehicle Excise Duty at £265.00 (£165.00 on 4500kg models) and new vehicle first registration fee of £55.00. Excludes fuel and insurance.

All Movanos include BlueInjection. Vehicles with BlueInjection technology will need regular AdBlue® top-ups also between servicing requirements. An indicator integrated into the on-board computer will warn you when you need to top up. More information under www.vauxhall.co.uk/adblue. In accordance with regulations R (EC) No. 715/2007 and R (EC) No. 692/2008 (in the versions respectively applicable).

All conversions must follow 'Vauxhall Converter Requirements' including recommended dimensional data, detailed within Part 1, available at: www.converters-and-groupe-psa.com. The weight of any fitted conversion body will have to be deducted from these figures to establish actual payload and is subject to correct weight distribution. Variations from the recommended dimensions or weights may affect the vehicle's overall centre of gravity and stability. From 29 April 2013 conversion of N1 vehicles was affected by changes to type approval – for further information refer to the VCA website (N2 vehicles were affected from 29 October 2014). For further information please contact conversions@vauxhall.co.uk

#Fuel consumption and CO₂ data is official government environmental data, tested in accordance with the relevant EU directive. Official EU-regulated test data is provided for comparison purposes. The values do not take into account in particular use and driving conditions, equipment or options and may vary depending on the format of tyres. For more information on official fuel consumption and CO₂ emission values, please read the guidelines at <http://vanfueldata.dft.gov.uk/>

*For definitions please refer to Glossary of Terms.

NEW MOVANO CREW CAB PRICES

	Minimum Mass (kg)*	Maximum Payload (kg)*	Fuel economy mpg (litres/100km)#			CO ₂ (g/km)#	Price (£) exc. VAT	On-the-road RRP (£) exc. VAT
			Urban driving	Extra-urban driving	Combined figure			
L2 H1 FWD CREW CAB EURO 6D TEMP								
3500 2.3 (135PS) Turbo D	1949	1551	42.1 (6.7)	37.4 (7.5)	39.0 (7.2)	191	31,710.00	32,613.33
L3 H1 FWD CREW CAB EURO 6D TEMP								
3500 2.3 (135PS) Turbo D	1958	1542	42.1 (6.7)	37.4 (7.5)	39.0 (7.2)	191	32,210.00	33,113.33
L2 H1 RWD CREW CAB EURO Vid								
3500 2.3 (130PS) Turbo D	2086	1414	30.0 (9.4)	34.8 (8.1)	32.8 (8.6)	224	33,010.00	33,913.33
L3 H1 RWD CREW CAB EURO Vid								
3500 2.3 (130PS) Turbo D	2099	1401	30.0 (9.4)	34.8 (8.1)	32.8 (8.6)	224	33,510.00	34,413.33
3500 DRW 2.3 (130PS) Turbo D	2224	1276	34.0 (8.3)	35.3 (8.0)	34.8 (8.1)	211	34,110.00	35,013.33
4500 DRW 2.3 (135PS) Turbo D Tacho	2224	2276	N/A (N2)	N/A (N2)	N/A (N2)	N/A (N2)	35,765.00	36,568.33
4500 DRW 2.3 (165PS) Turbo D Start/Stop Tacho	2224	2276	N/A (N2)	N/A (N2)	N/A (N2)	N/A (N2)	38,125.00	38,928.33
L4 H1 RWD CREW CAB EURO Vid								
3500 2.3 (130PS) Turbo D	2273	1227	34.0 (8.3)	35.3 (8.0)	34.8 (8.1)	211	34,810.00	35,713.33
4500 DRW 2.3 (165PS) Turbo D Start/Stop Tacho	2273	2227	N/A (N2)	N/A (N2)	N/A (N2)	N/A (N2)	38,825.00	39,628.33

DRW = Dual Rear Wheels.

Please note: On-the-road recommended retail prices (RRP) include number plates and delivery to Retailer of £583.33 (exc. VAT), 12 months' Vehicle Excise Duty at £265.00 (£165.00 on 4500kg models) and new vehicle first registration fee of £55.00. Excludes fuel and insurance.

All Movanos include BlueInjection. Vehicles with BlueInjection technology will need regular AdBlue® top-ups also between servicing requirements. An indicator integrated into the on-board computer will warn you when you need to top up.

More information under www.vauxhall.co.uk/adblue. In accordance with regulations R (EC) No. 715/2007 and R (EC) No. 692/2008 (in the versions respectively applicable).

All conversions must follow 'Vauxhall Converter Requirements' including recommended dimensional data, detailed within Part 1, available at: www.converters-and-groupe-psa.com. The weight of any fitted conversion body will have to be deducted from these figures to establish actual payload and is subject to correct weight distribution. Variations from the recommended dimensions or weights may affect the vehicle's overall centre of gravity and stability. From 29 April 2013 conversion of N1 vehicles was affected by changes to type approval - for further information refer to the VCA website (N2 vehicles were affected from 29 October 2014). For further information please contact conversions@vauxhall.co.uk

#FWD fuel consumption and CO₂ data are determined using the Worldwide harmonized Light vehicles Test Procedure (WLTP), and the relevant values are translated back to allow the comparability into NEDC, according to regulations R (EC) No. 715/2007, R (EU) No. 2017/1153 and R (EU) No. 2017/1151. RWD fuel consumption and CO₂ data is official government environmental data, tested in accordance with the relevant EU directive. Official EU-regulated test data is provided for comparison purposes. The values do not take into account in particular use and driving conditions, equipment or options and may vary depending on the format of tyres. For more information on official fuel consumption and CO₂ emission values, please read the guidelines at <http://vanfueldata.dft.gov.uk/>

*For definitions please refer to Glossary of Terms.

NEW MOVANO PLATFORM CAB PRICES

	Minimum Mass (kg)*	Maximum Payload (kg)*	Fuel economy mpg (litres/100km)#			CO ₂ (g/km)#	Price (£) exc. VAT	On-the-road RRP (£) exc. VAT
			Urban driving	Extra-urban driving	Combined figure			
L3 H1 FWD PLATFORM CAB EURO 6D TEMP								
3500 2.3 (135PS) Turbo D	1679	1821	42.1 (6.7)	37.4 (7.5)	39.0 (7.2)	191	31,310.00	32,213.33
3500 2.3 (150PS) Turbo D Start/Stop	1679	1821	48.6 (5.8)	39.7 (7.1)	42.6 (6.6)	175	32,420.00	33,323.33
L3 H2 FWD PLATFORM CAB EURO 6D TEMP								
3500 2.3 (135PS) Turbo D	1698	1802	42.1 (6.7)	37.4 (7.5)	39.0 (7.2)	191	31,910.00	32,813.33
3500 2.3 (150PS) Turbo D Start/Stop	1698	1802	48.6 (5.8)	39.7 (7.1)	42.6 (6.6)	175	33,020.00	33,923.33

Please note: On-the-road recommended retail prices (RRP) include number plates and delivery to Retailer of £583.33 (exc. VAT), 12 months' Vehicle Excise Duty at £265.00 and new vehicle first registration fee of £55.00. Excludes fuel and insurance.

All Movanos include BlueInjection. Vehicles with BlueInjection technology will need regular AdBlue® top-ups also between servicing requirements. An indicator integrated into the on-board computer will warn you when you need to top up.

More information under www.vauxhall.co.uk/adblue. In accordance with regulations R (EC) No. 715/2007 and R (EC) No. 692/2008 (in the versions respectively applicable).

All conversions must follow 'Vauxhall Converter Requirements' including recommended dimensional data, detailed within Part 1, available at: www.converters-and-groupe-psa.com. The weight of any fitted conversion body will have to be deducted from these figures to establish actual payload and is subject to correct weight distribution. Variations from the recommended dimensions or weights may affect the vehicle's overall centre of gravity and stability. From 29 April 2013 conversion of N1 vehicles was affected by changes to type approval - for further information refer to the VCA website (N2 vehicles were affected from 29 October 2014). For further information please contact conversions@vauxhall.co.uk

#Fuel consumption data and CO₂ emission data are determined using the Worldwide harmonized Light vehicles Test Procedure (WLTP), and the relevant values are translated back to allow the comparability into NEDC, according to regulations R (EC) No. 715/2007, R (EU) No. 2017/1153 and R (EU) No. 2017/1151. The values do not take into account in particular use and driving conditions, equipment or options and may vary depending on the format of tyres. For more information on official fuel consumption and CO₂ emission values, please read the guidelines at <http://vanfueldata.dft.gov.uk/>

*For definitions please refer to Glossary of Terms.

NEW MOVANO TIPPER PRICES

	Minimum Mass (kg)*	Maximum Payload (kg)*	Fuel economy mpg (litres/100km)#			CO ₂ (g/km)#	Price (£) exc. VAT	On-the-road RRP (£) exc. VAT
			Urban driving	Extra-urban driving	Combined figure			
L2 H1 FWD CHASSIS CAB TIPPER EURO 6D TEMP								
3500 2.3 (135PS) Turbo D	2262	1238	42.1 (6.7)	37.4 (7.5)	39.0 (7.2)	191	37,710.00	38,613.33
3500 2.3 (150PS) Turbo D Start/Stop	2262	1238	48.6 (5.8)	39.7 (7.1)	42.6 (6.6)	175	38,820.00	39,723.33
3500 2.3 (180PS) Turbo D Start/Stop	2262	1238	46.3 (6.1)	38.7 (7.3)	41.2 (6.9)	181	40,070.00	40,973.33
L2 H1 RWD CHASSIS CAB TIPPER EURO V1d								
3500 DRW 2.3 (130PS) Turbo D	2544	956	29.1 (9.7)	33.2 (8.5)	31.4 (9.0)	233	39,625.00	40,528.33
3500 DRW 2.3 (145PS) Turbo D Start/Stop	2544	956	31.7 (8.9)	33.6 (8.4)	32.8 (8.6)	225	40,735.00	41,638.33
3500 DRW 2.3 (165PS) Turbo D Start/Stop	2544	956	31.7 (8.9)	33.6 (8.4)	32.8 (8.6)	225	41,685.00	42,588.33
4500 DRW 2.3 (165PS) Turbo D S/S Tacho	2544	1956	N/A (N2)	N/A (N2)	N/A (N2)	N/A (N2)	43,640.00	44,443.33
L3 H1 RWD CHASSIS CAB TIPPER EURO V1d								
3500 DRW 2.3 (130PS) Turbo D	2658	842	29.1 (9.7)	33.2 (8.5)	31.4 (9.0)	233	40,110.00	41,013.33
3500 DRW 2.3 (145PS) Turbo D Start/Stop	2658	842	31.7 (8.9)	33.6 (8.4)	32.8 (8.6)	225	41,220.00	42,123.33
4500 DRW 2.3 (165PS) Turbo D S/S Tacho	2658	1842	N/A (N2)	N/A (N2)	N/A (N2)	N/A (N2)	44,125.00	44,928.33

DRW = Dual Rear Wheels.

Please note: On-the-road recommended retail prices (RRP) include number plates and delivery to Retailer of £583.33 (exc. VAT), 12 months' Vehicle Excise Duty at £265.00 (£165.00 on 4500kg models) and new vehicle first registration fee of £55.00. Excludes fuel and insurance.

All Movanos include BlueInjection. Vehicles with BlueInjection technology will need regular AdBlue® top-ups also between servicing requirements. An indicator integrated into the on-board computer will warn you when you need to top up. More information under www.vauxhall.co.uk/adblue. In accordance with regulations R (EC) No. 715/2007 and R (EC) No. 692/2008 (in the versions respectively applicable).

#FWD fuel consumption and CO₂ data are determined using the Worldwide harmonized Light vehicles Test Procedure (WLTP), and the relevant values are translated back to allow the comparability into NEDC, according to regulations R (EC) No. 715/2007, R (EU) No. 2017/1153 and R (EU) No. 2017/1151. RWD fuel consumption and CO₂ data is official government environmental data, tested in accordance with the relevant EU directive. Official EU-regulated test data is provided for comparison purposes. The values do not take into account in particular use and driving conditions, equipment or options and may vary depending on the format of tyres. For more information on official fuel consumption and CO₂ emission values, please read the guidelines at <http://vanfueldata.dft.gov.uk/>

*For definitions please refer to Glossary of Terms.

NEW MOVANO TIPPER PRICES

	Minimum Mass (kg)*	Maximum Payload (kg)*	Fuel economy mpg (litres/100km)#			CO ₂ (g/km)#	Price (£) exc. VAT	On-the-road RRP (£) exc. VAT
			Urban driving	Extra-urban driving	Combined figure			
L3 H1 FWD CREW CAB TIPPER EURO 6D TEMP (6-seater)								
3500 2.3 (145PS) Turbo D Start/Stop	2446	1054	39.8 (7.1)	38.1 (7.4)	38.7 (7.3)	191	40,220.00	41,123.33
L3 H1 RWD CREW CAB TIPPER EURO VIId (7-seater)								
4500 DRW 2.3 (165PS) Turbo D Start/Stop Tacho	2727	1773	N/A (N2)	N/A (N2)	N/A (N2)	N/A (N2)	45,025.00	45,828.33

DRW = Dual Rear Wheels.

Please note: On-the-road recommended retail prices (RRP) include number plates and delivery to Retailer of £583.33 (exc. VAT), 12 months' Vehicle Excise Duty at £265.00 (£165.00 on 4500kg models) and new vehicle first registration fee of £55.00. Excludes fuel and insurance.

All Movanos include BlueInjection. Vehicles with BlueInjection technology will need regular AdBlue® top-ups also between servicing requirements. An indicator integrated into the on-board computer will warn you when you need to top up.

More information under www.vauxhall.co.uk/adblue. In accordance with regulations R (EC) No. 715/2007 and R (EC) No. 692/2008 (in the versions respectively applicable).

#FWD fuel consumption and CO₂ data are determined using the Worldwide harmonized Light vehicles Test Procedure (WLTP), and the relevant values are translated back to allow the comparability into NEDC, according to regulations R (EC) No. 715/2007, R (EU) No. 2017/1153 and R (EU) No. 2017/1151. RWD fuel consumption and CO₂ data is official government environmental data, tested in accordance with the relevant EU directive. Official EU-regulated test data is provided for comparison purposes. The values do not take into account in particular use and driving conditions, equipment or options and may vary depending on the format of tyres. For more information on official fuel consumption and CO₂ emission values, please read the guidelines at <http://vanfueldata.dft.gov.uk/>

*For definitions please refer to Glossary of Terms.

NEW MOVANO DROPSIDE PRICES

	Minimum Mass (kg)*	Maximum Payload (kg)*	Fuel economy mpg (litres/100km)#			CO ₂ (g/km)#	Price (£) exc. VAT	On-the-road RRP (£) exc. VAT
			Urban driving	Extra-urban driving	Combined figure			
L2 H1 FWD CHASSIS CAB DROPSIDE EURO 6D TEMP								
3500 2.3 (135PS) Turbo D	2077	1423	42.1 (6.7)	37.4 (7.5)	39.0 (7.2)	191	32,760.00	33,663.33
3500 2.3 (150PS) Turbo D Start/Stop	2077	1423	48.6 (5.8)	39.7 (7.1)	42.6 (6.6)	175	33,870.00	34,773.33
L3 H1 FWD CHASSIS CAB DROPSIDE EURO 6D TEMP								
3500 2.3 (135PS) Turbo D	2151	1349	42.1 (6.7)	37.4 (7.5)	39.0 (7.2)	191	33,760.00	34,663.33
3500 2.3 (150PS) Turbo D Start/Stop	2151	1349	48.6 (5.8)	39.7 (7.1)	42.6 (6.6)	175	34,870.00	35,773.33
L2 H1 RWD CHASSIS CAB DROPSIDE EURO V1d								
3500 2.3 (130PS) Turbo D	2288	1212	30.0 (9.4)	34.8 (8.1)	32.8 (8.6)	224	34,060.00	34,963.33
3500 2.3 (145PS) Turbo D Start/Stop	2288	1212	34.0 (8.3)	35.3 (8.0)	34.8 (8.1)	211	35,170.00	36,073.33
3500 DRW 2.3 (130PS) Turbo D	2391	1109	29.1 (9.7)	33.2 (8.5)	31.4 (9.0)	233	34,675.00	35,578.33
3500 DRW 2.3 (145PS) Turbo D Start/Stop	2391	1109	31.7 (8.9)	33.6 (8.4)	32.8 (8.6)	225	35,785.00	36,688.33
L3 H1 RWD CHASSIS CAB DROPSIDE EURO V1d								
3500 DRW 2.3 (145PS) Turbo D Start/Stop	2442	1058	31.7 (8.9)	33.6 (8.4)	32.8 (8.6)	225	36,770.00	37,673.33
4500 DRW 2.3 (130PS) Turbo D Tacho	2442	2058	N/A (N2)	N/A (N2)	N/A (N2)	N/A (N2)	37,315.00	38,118.33
L4 H1 RWD CHASSIS CAB DROPSIDE EURO V1d								
3500 DRW 2.3 (145PS) Turbo D Start/Stop	2483	1017	31.7 (8.9)	33.6 (8.4)	32.8 (8.6)	225	37,470.00	38,373.33
4500 DRW 2.3 (130PS) Turbo D Tacho	2483	2017	N/A (N2)	N/A (N2)	N/A (N2)	N/A (N2)	38,015.00	38,818.33
4500 DRW 2.3 (165PS) Turbo D Start/Stop Tacho	2483	2017	N/A (N2)	N/A (N2)	N/A (N2)	N/A (N2)	40,375.00	41,178.33

DRW = Dual Rear Wheels.

Please note: On-the-road recommended retail prices (RRP) include number plates and delivery to Retailer of £583.33 (exc. VAT), 12 months' Vehicle Excise Duty at £265.00 (£165.00 on 4500kg models) and new vehicle first registration fee of £55.00. Excludes fuel and insurance.

All Movanos include BlueInjection. Vehicles with BlueInjection technology will need regular AdBlue® top-ups also between servicing requirements. An indicator integrated into the on-board computer will warn you when you need to top up.

More information under www.vauxhall.co.uk/adblue. In accordance with regulations R (EC) No. 715/2007 and R (EC) No. 692/2008 (in the versions respectively applicable).

#FWD fuel consumption and CO₂ data are determined using the Worldwide harmonized Light vehicles Test Procedure (WLTP), and the relevant values are translated back to allow the comparability into NEDC, according to regulations R (EC) No. 715/2007, R (EU) No. 2017/1153 and R (EU) No. 2017/1151. RWD fuel consumption and CO₂ data is official government environmental data, tested in accordance with the relevant EU directive. Official EU-regulated test data is provided for comparison purposes. The values do not take into account in particular use and driving conditions, equipment or options and may vary depending on the format of tyres. For more information on official fuel consumption and CO₂ emission values, please read the guidelines at <http://vanfueldata.dft.gov.uk/>

*For definitions please refer to Glossary of Terms.

NEW MOVANO DROPSIDE PRICES

	Minimum Mass (kg)*	Maximum Payload (kg)*	Fuel economy mpg (litres/100km)#			CO ₂ (g/km)#	Price (£) exc. VAT	On-the-road RRP (£) exc. VAT
			Urban driving	Extra-urban driving	Combined figure			
L2 H1 FWD CREW CAB DROPSIDE EURO 6D TEMP								
3500 2.3 (135PS) Turbo D	2215	1285	42.1 (6.7)	37.4 (7.5)	39.0 (7.2)	191	33,660.00	34,563.33
L3 H1 FWD CREW CAB DROPSIDE EURO 6D TEMP								
3500 2.3 (135PS) Turbo D	2271	1229	42.1 (6.7)	37.4 (7.5)	39.0 (7.2)	191	34,160.00	35,063.33
3500 2.3 (150PS) Turbo D Start/Stop	2271	1229	48.6 (5.8)	39.7 (7.1)	42.6 (6.6)	175	35,270.00	36,173.33
L2 H1 RWD CREW CAB DROPSIDE EURO Vld								
3500 2.3 (130PS) Turbo D	2352	1148	30.0 (9.4)	34.8 (8.1)	32.8 (8.6)	224	34,960.00	35,863.33
L4 H1 RWD CREW CAB DROPSIDE EURO Vld								
4500 DRW 2.3 (165PS) Turbo D Start/Stop Tacho	2627	1873	N/A (N2)	N/A (N2)	N/A (N2)	N/A (N2)	41,275.00	42,078.33

DRW = Dual Rear Wheels.

Please note: On-the-road recommended retail prices (RRP) include number plates and delivery to Retailer of £583.33 (exc. VAT), 12 months' Vehicle Excise Duty at £265.00 (£165.00 on 4500kg models) and new vehicle first registration fee of £55.00. Excludes fuel and insurance.

All Movanos include BlueInjection. Vehicles with BlueInjection technology will need regular AdBlue® top-ups also between servicing requirements. An indicator integrated into the on-board computer will warn you when you need to top up. More information under www.vauxhall.co.uk/adblue. In accordance with regulations R (EC) No. 715/2007 and R (EC) No. 692/2008 (in the versions respectively applicable).

#FWD fuel consumption and CO₂ data are determined using the Worldwide harmonized Light vehicles Test Procedure (WLTP), and the relevant values are translated back to allow the comparability into NEDC, according to regulations R (EC) No. 715/2007, R (EU) No. 2017/1153 and R (EU) No. 2017/1151. RWD fuel consumption and CO₂ data is official government environmental data, tested in accordance with the relevant EU directive. Official EU-regulated test data is provided for comparison purposes. The values do not take into account in particular use and driving conditions, equipment or options and may vary depending on the format of tyres. For more information on official fuel consumption and CO₂ emission values, please read the guidelines at <http://vanfueldata.dft.gov.uk/>

*For definitions please refer to Glossary of Terms.

NEW MOVANO BOX VAN PRICES

	Minimum Mass (kg)*	Maximum Payload (kg)*	Fuel economy mpg (litres/100km)#			CO ₂ (g/km)#	Price (£) exc. VAT	On-the-road RRP (£) exc. VAT
			Urban driving	Extra-urban driving	Combined figure			
L3 H1 FWD CHASSIS CAB BOX VAN 20 cu.m EURO VI_d								
3500 2.3 (145PS) Turbo D	2367	1133	39.8 (7.1)	38.1 (7.4)	38.7 (7.3)	191	38,100.00	39,003.33

Please note: On-the-road recommended retail prices (RRP) include number plates and delivery to Retailer of £583.33 (exc. VAT), 12 months' Vehicle Excise Duty £265.00 and new vehicle first registration fee of £55.00. Excludes fuel and insurance.

All Movanos include BlueInjection. Vehicles with BlueInjection technology will need regular AdBlue® top-ups also between servicing requirements. An indicator integrated into the on-board computer will warn you when you need to top up. More information under www.vauxhall.co.uk/adblue. In accordance with regulations R (EC) No. 715/2007 and R (EC) No. 692/2008 (in the versions respectively applicable).

#Fuel consumption data and CO₂ emission data are determined using the Worldwide harmonized Light vehicles Test Procedure (WLTP), and the relevant values are translated back to allow the comparability into NEDC, according to regulations R (EC) No. 715/2007, R (EU) No. 2017/1153 and R (EU) No. 2017/1151. The values do not take into account in particular use and driving conditions, equipment or options and may vary depending on the format of tyres. For more information on official fuel consumption and CO₂ emission values, please read the guidelines at <http://vanfueldata.dft.gov.uk/>

*For definitions please refer to Glossary of Terms.

NEW MOVANO FEATURES/OPTIONS

SAFETY

	Option code	Movano	Price (£) exc. VAT	Price (£) inc. VAT
Driver/passenger airbags		●		
• Driver's airbag				
• Front passengers' airbag with deactivation switch – Not available with Convenience Pack option	AK5	○	260.00	312.00
Stability		●		
• Electronic Stability Programme–plus (ESP–plus) with traction control and side wind assist – Works in conjunction with the vehicle's electronic braking and engine systems to keep the vehicle stable in many different situations. ESP monitors a variety of inputs to determine when the vehicle starts to lose traction, it can then immediately respond by varying the brake pressure between up to three wheels and adjust the engine output to help correct the loss of traction and improve stability				
Braking		●		
• Four-channel Anti-lock Braking System (ABS) – Prevents the vehicle's wheels from locking up under heavy braking by momentarily reducing brake pressure at the appropriate wheel, ensuring that you can maintain control of the steering				
• Emergency brake assist – When emergency braking is detected the vehicle automatically applies the maximum possible braking assistance.				
• Electronic brakeforce distribution – Automatically apportions the optimum braking force to each wheel				
• Hill start assist – Briefly maintains rear brake pressure to stop the vehicle rolling back on an incline				
Advanced emergency brake assist		●		
– Standard on RWD DRW 4500 models.				
Advanced Safety Assist Pack	XiFJ	○	550.00	660.00
• High beam headlight assist • Lane departure warning • Side blind spot alert				
Bulkhead		○		
• Full-height steel bulkhead without window – Standard on Panel Van/optional on Platform Cab models.	AX6	○	135.00	162.00
• Full-height ABS plastic bulkhead with window – Doublecab only.		●		
• Full-height steel bulkhead with window – Standard on Chassis/Crew Cab models. Optional on Panel Van/Platform Cab models	AX9	○	50.00	60.00

● = Standard equipment. ○ = Optional at extra cost.

NEW MOVANO FEATURES/OPTIONS

SECURITY

	Option code	Movano	Price (£) exc. VAT	Price (£) inc. VAT
Standard security features • Electronic engine deadlock immobiliser • Steering column lock • Secure fuel filler flap		●		
• Internal lockable rear and sliding side-access doors • Under-floor spare wheel storage – Wind down only when rear doors opened. Standard on Panel Van/Doublecab		●		
Remote control door locking (features depending on body type) • Selective door locking • Two keys with integral remote • Door deadlocks		●		
• Third key with integral remote	K69	○	60.00	72.00
Security alarm system • Engine compartment protection • Ultrasonic detectors in load area • Siren • Thatcham Category 1 approved (TCL1-101/1103) – Not available on Platform Cab models	UA6	○	370.00	444.00

● = Standard equipment. ○ = Optional at extra cost.

NEW MOVANO FEATURES/OPTIONS

HEATING AND VENTILATION

	Option code	Movano	Price (£) exc. VAT	Price (£) inc. VAT
Cab heating • Four-speed fan • Illuminated controls • Four adjustable facia vents • Windscreen demist vents • Side window demist vents		●		
Air conditioning • Air recirculation facility • Pollen filter • Illuminated controls • Chilled glovebox facility	C60	○	700.00	840.00

CABIN STORAGE

Accessory sockets • 12-volt accessory socket beside gear lever		●		
Facia storage • Driver's coin, ticket and card holder • Driver's oddments storage • Lidded glovebox (11-litre capacity) • Central drinks holder • Front passenger semi-covered document tray		●		
Front door pockets • Large door pocket with capacity for a 2-litre drink bottle • Oddments pocket		●		
Additional storage • Overhead storage shelf		●		

Please note: The air conditioning in vehicles with N1, N2 or M2 type approval relies upon fluorinated greenhouse gases (R134a) for its functioning. The front system contains a quantity of overall 580g of R 134a, which corresponds to a CO₂ equivalent of 0.83 tons. The front and rear system in versions with up to 9-seats contains a quantity of overall 1,100g of R 134a, which corresponds to a CO₂ equivalent of 1.57 tons. The front and rear system in versions with more than 16-seats contains a quantity of overall 1,700g of R 134a, which corresponds to a CO₂ equivalent of 2.43 tons. The global warming potential amounts to 1430. Information acc. to R (EU) No. 517/2014.

● = Standard equipment. ○ = Optional at extra cost.

NEW MOVANO FEATURES/OPTIONS

COMFORT AND SEATING

	Option code	Movano	Price (£) exc. VAT	Price (£) inc. VAT
Comfort <ul style="list-style-type: none"> • Height-adjustable steering wheel • Facia-mounted gear lever • Floor-mounted handbrake lever • Pulse cloth seat trim • Vinyl floor covering • Inertia-reel lap and diagonal seatbelts • Height-adjustable outer front seatbelts 		●		
Vinyl seat trim <ul style="list-style-type: none"> • Grey vinyl seat trim – Not available on Doublecab models or with Convenience Pack/air-suspended driver's seat options/ dual front passengers' multi-function office bench seat 	TAVX	○	50.00	60.00
Driver's seat <ul style="list-style-type: none"> • Height • Reach • Backrest recline • Height-adjustable padded head restraint • Driver's seat armrest 		●		
'Comfort' driver's seat <ul style="list-style-type: none"> • Lumbar adjustment • Height • Reach • Backrest recline • Height-adjustable padded head restraint • Centre fold-away armrest – Not available on L4 R3500 DRW Dropside models 	B21	○	135.00	162.00
Dual front passengers' bench seat (Not available on L3H1 F3500 Crew Cab Tipper models) <ul style="list-style-type: none"> • Fixed position bench seat and backrest • Height-adjustable outer front padded head restraint • Fixed centre seat padded head restraint – Not available on Doublecab models 		●		
Dual front passengers' multi-function office bench seat (Not available on L3H1 F3500 Crew Cab Tipper models) <ul style="list-style-type: none"> • Dual front passengers' bench seat • Centre seat features flat-folding backrest with twin drinks holders, flat work surface and swivelling tray • Underseat storage – Standard on Doublecab models 		●		

● = Standard equipment. ○ = Optional at extra cost.

NEW MOVANO FEATURES/OPTIONS

COMFORT AND SEATING CONTINUED

	Option code	Movano	Price (£) exc. VAT	Price (£) inc. VAT
Single front passenger's seat (Standard on L3H1 Crew Cab Tipper models) • Reach • Backrest recline • Height-adjustable padded head restraint – Not available with Convenience Pack option	AE1	○	60.00	72.00
Convenience Pack (Panel Van) • 'Comfort' driver's seat with armrest and lumbar support • Multi-function office bench seat with folding seat back on centre passenger seat including swivelling work tray and tilt forward seat cushions with underseat storage • Retractable A4 facia document clip • 'One-touch down' facility for driver's electrically operated window • Bulkhead soundproofing – Not available when single front passenger's seat, front passengers' airbag or vinyl seat trim are specified	XHIA	○	450.00	540.00
Doublecab rear seating • Four-individually contoured rear seats • Inertia-reel lap and diagonal seatbelts • Padded head restraints • Integrated storage nets and cup holders • Full-length tray under rear seat cushion		●		

● = Standard equipment. ○ = Optional at extra cost.

NEW MOVANO FEATURES/OPTIONS

DRIVER ASSISTANCE

	Option code	Movano	Price (£) exc. VAT	Price (£) inc. VAT
Windscreen wipers • Rain-sensitive windscreen wipers • Electric screenwash		●		
Parking assistance • Surround rear vision – Panel Van/Doublecab models	5J6	○	850.00	1,020.00
• Front and rear parking distance sensors – Not available on Chassis/Crew/Platform Cab models or derivatives	UD5	○	300.00	360.00
• Rear-view camera • Front and rear parking distance sensors – Not available on Chassis/Crew/Platform Cab models or derivatives	UE5	○	450.00	540.00
• Rear parking distance sensors – Not available on Chassis/Crew/Platform Cab models or derivatives	UD7	○	275.00	330.00
• Nearside blind spot/junction mirror located in front passenger sunvisor		●		
Cruise control, speed limiter and multi-function trip computer • Cruise control • Trip odometer • Vehicle range based on remaining fuel • Average speed • Average fuel economy • Instantaneous fuel economy • Driving time	K34	○	260.00	312.00
Speed limiter – These are factory-fitted speed limiters that cannot be adjusted by driver. • Choice of three speeds: 56mph/62mph/68mph – 56mph speed limiter standard on RWD DRW 4500 models	KYJ (56mph) KYK (62mph) KYL (68mph)	○	85.00	102.00

● = Standard equipment. ○ = Optional at extra cost.

NEW MOVANO FEATURES/OPTIONS

DRIVER INFORMATION

	Option code	Movano	Price (£) exc. VAT	Price (£) inc. VAT
Instrumentation <ul style="list-style-type: none"> • Speedometer • Rev counter • Digital fuel gauge with low fuel warning light • Coolant temperature gauge with warning light 		●		
ECO features <ul style="list-style-type: none"> • Shift-up indicator (manual models) – Indicates when to change gear for optimum fuel economy 		●		
Driver information display <ul style="list-style-type: none"> • Monochrome display located in instrument cluster • Odometer • Service-due indicator • Displays trip computer data (when fitted) 		●		
Central fascia display <ul style="list-style-type: none"> • Audio information • Digital clock with automatic RDS time adjustment • Outside air temperature with ice warning function • Additional features and location dependent on infotainment unit (see Infotainment for details) 		●		
Warning indicators <ul style="list-style-type: none"> • Low oil level, low brake fluid, brake pad wear, battery, fuel filter, low AdBlue® level, seatbelt warning and doors open 		●		
Smart digital tachograph <ul style="list-style-type: none"> • CANbus interface • Odometer display is changed from miles to kilometres – Standard on RWD DRW 4500 models – Important: The digital tachograph must be specified at time of ordering as it cannot be fitted retrospectively. Option price does not include calibration which must be carried out at an approved tachograph centre within 14 days of the vehicle's registration. Please note: The legislation regarding the use of tachographs is complex and operators should seek independent advice or speak to the Commercial Vehicle specialist at your Vauxhall Retailer to ensure compliance. Alternatively your local DVLA office will also be able to provide clarification of the relevant legislation 	TGF	○	535.00	642.00

● = Standard equipment. ○ = Optional at extra cost.

NEW MOVANO FEATURES/OPTIONS

INFOTAINMENT

	Option code	Movano	Price (£) exc. VAT	Price (£) inc. VAT
CD 16 BT USB Onboard features: <ul style="list-style-type: none"> • DAB digital radio • AM/FM stereo radio with 18-station presets • CD/MP3 CD player • High-level display • RDS with Traffic Programme • Two 15-watt speakers Media connections: <ul style="list-style-type: none"> • USB connection with iPod control • Aux-in socket • Bluetooth® audio streaming (A2DP Profile) Mobile phone portal: <ul style="list-style-type: none"> • Bluetooth® connectivity • Vehicle microphone • Phone book access – Contacts/last calls/missed calls etc. (features dependent on mobile phone) 		●		
Multimedia Navi Pro Onboard features: <ul style="list-style-type: none"> • 7-inch colour touchscreen • AM/FM stereo radio with 15 Station presets • DAB Digital radio • RDS with Traffic Programme • 20 watts per channel output • Four speakers (eight on Doublecab models) Navigation features: <ul style="list-style-type: none"> • Satellite navigation system • 3D street level mapping • European coverage • Structured or one-box destination entry • Points-of-interest search • Eco routing • Map updates via USB Wi-fi enabled connected navigation features: <ul style="list-style-type: none"> • Three years subscription to TomTom Live* • On-line navigation services provided by TomTom® include: • TomTom® live traffic updates • Local weather information • Nearby fuel station display • Local address search and contact info for points of interest Media connections: <ul style="list-style-type: none"> • USB connection with iPod control • Bluetooth® A2DP audio streaming (Advanced Audio Distribution Profile) Mobile phone portal: <ul style="list-style-type: none"> • Bluetooth® connectivity • Handsfree calls via steering wheel controls • Vehicle microphone • Phone book access – Contacts/last calls/missed calls etc. are mirrored on the display and are easily navigated using the touchscreen (features dependent on mobile phone) Smartphone interface: <ul style="list-style-type: none"> • Apple CarPlay™ • Android Auto™ – Smartphone projection that allows operations via voice command, touchscreen and buttons to control apps and music playback 	1OR	○	760.00	912.00
Additional features <ul style="list-style-type: none"> • Steering column mounted audio controls • Flexible roof-mounted aerial 		●		

*Additional terms and conditions apply to connected services, including customer acceptance of location sharing prior to activation.

● = Standard equipment. ○ = Optional at extra cost.

NEW MOVANO FEATURES/OPTIONS

LOAD ACCESS

	Option code	Movano	Price (£) exc. VAT	Price (£) inc. VAT
Nearside access Nearside side-access door: <ul style="list-style-type: none"> • Nearside sliding side-access door • Unglazed - Standard on Panel Van 		●		
Nearside side-access door with fixed windows: <ul style="list-style-type: none"> • Fixed window to standard nearside sliding side-access door (£200) • Fixed window to opposite offside body panel (£165) - Standard on Doublecab 		▲	365.00	438.00
Nearside side-access door with sliding windows: <ul style="list-style-type: none"> • Sliding window to standard nearside sliding side-access door (£335) • Sliding window to opposite offside body panel (£335) 		▲	670.00	804.00
Offside access Offside side-access door: <ul style="list-style-type: none"> • Offside sliding side-access door • Unglazed - Panel Van only 		▲	310.00	372.00
Offside side-access door with fixed windows: <ul style="list-style-type: none"> • Fixed window to standard nearside sliding side-access door (£200) • Offside side-access door (£310) • Fixed window to offside side-access door (£165) 		▲	675.00	810.00
Offside side-access door with sliding windows: <ul style="list-style-type: none"> • Sliding window to standard nearside sliding side-access door (£335) • Offside side-access door (£310) • Sliding window to offside side-access door (£335) 		▲	980.00	1,176.00

● = Standard equipment. ▲ = Please refer to ordering guide.

NEW MOVANO FEATURES/OPTIONS

LOAD ACCESS CONTINUED

	Option code	Movano	Price (£) exc. VAT	Price (£) inc. VAT
Rear access				
Rear solid doors:		●		
• Twin rear doors • 90°/180° opening				
• Twin rear doors • 270° opening – Not available on L1 models	7U4	○	285.00	342.00
Rear glazed doors:				
• Glazed rear doors • 90°/180° opening	J1X	○	110.00	132.00
• Heated rear windows – Only available with glazed rear doors	C49	○	110.00	132.00
Glazed Pack				
• Fixed window to standard nearside side-access door • Fixed window to opposite offside body panel • Rear glazed doors • Rear glazed side panels	A10	○	430.00	516.00

● = Standard equipment. ○ = Optional at extra cost.

NEW MOVANO FEATURES/OPTIONS

LOAD RESTRAINT

	Option code	Movano	Price (£) exc. VAT	Price (£) inc. VAT
Load anchorage <ul style="list-style-type: none"> • Fixed floor-mounted load restraint lashing eyes (L1 models x 6, L2/L3 models x 8, L4 models x 10) • Nearside/offside rear door column load restraint lashing eyes 		●		
Load lining <ul style="list-style-type: none"> • Full-height plywood load lining • Plywood wheel arch protection - Not available with glazed side-access door(s). Only available with resin-coated plywood load floor covering 	N20	L1 H1 ○	590.00	708.00
		L1 H2 ○	600.00	720.00
		L2 ○	615.00	738.00
		L3 ○	630.00	756.00
		L4 ○	780.00	936.00
<ul style="list-style-type: none"> • Resin-coated plywood load floor covering – Panel Van only 	B68	L1/L2 ○	330.00	396.00
		L3/L4 ○	370.00	444.00
Illuminated load area		●		

● = Standard equipment. ○ = Optional at extra cost.

NEW MOVANO FEATURES/OPTIONS

EXTERIOR CONVENIENCE/STYLING

	Option code	Movano	Price (£) exc. VAT	Price (£) inc. VAT
Exterior features • Integral steps in front bumper • Laminated windscreen • Body side-protection mouldings		●		
• Front and rear mudflaps	Q8H	○	80.00	96.00
• Rear bumper with integral step – Standard on RWD/RWD DRW Panel Van/Doublecab models Optional on FWD Panel Van/Doublecab models.	VF6	○	260.00	312.00
Windows • Electrically operated front windows		●		
Door mirrors • Foldable electrically adjustable/heated door mirrors • Wide-angle mirror on driver's side • Integrated side-repeat indicators		●		
Extendable door mirrors (Chassis, Crew and Platform Cab) • Long arm exterior mirrors – Long arm exterior mirrors should be applied to any vehicle with an overall width of 2.17 to 2.35 metres	DBE	○	85.00	102.00
Paint finish • Special paint – Restrictions apply, please consult your Retailer for details		○	At extra cost	

EXTERIOR LIGHTING

Standard lighting • Automatic lighting control with tunnel detection • Lights-on audible warning • Manual headlight beam levelling • Twin reversing lights • Hazard warning lights • Rear fog lights • Centre rear brake light (excluding Chassis/Crew/Platform Cab models or derivatives) • Side-repeater in exterior mirrors		●		
• Front fog lights – Standard on 4500 models	T3U	○	105.00	126.00

● = Standard equipment. ○ = Optional at extra cost.

NEW MOVANO FEATURES/OPTIONS

MECHANICAL

	Option code	Movano	Price (£) exc. VAT	Price (£) inc. VAT																		
<p>Transmission</p> <p>Six-speed manual gearbox: FWD models: • Transverse engine/gearbox • L1/L2/L3 models RWD/RWD DRW models: • Longitudinal engine/gearbox • L3/L4 models</p>		●																				
<p>Tecshift six-speed transmission: Tecshift transmission adds electronic control for both the clutch and gear selection to the standard six speed transmission.</p> <ul style="list-style-type: none"> • Electronic clutch control – Tecshift automatically operates the clutch, meaning that there is no clutch pedal and the vehicle can be driven by an ‘automatic-only’ driving licence holder • Electronic gear selection – Tecshift also controls gear selection, leaving the driver with two gear-shifting options – automatic or manual • Automatic mode – The driver selects forward or reverse gear and Tecshift does everything else, just like an automatic gearbox • Manual mode – The driver can change gear sequentially by pushing the lever forward (higher gear) or pulling it backwards (lower gear) • A ‘kickdown’ function – Going through two or more gears – is also possible in manual mode 		○	See price pages																			
<p>Steering</p> <ul style="list-style-type: none"> • Power-assisted rack and pinion system • Turns lock-to-lock: 3.7 																						
<table border="1"> <thead> <tr> <th>Turning circles</th> <th>Kerb-to-kerb</th> <th>Wall-to-wall</th> </tr> </thead> <tbody> <tr> <td>FWD L1</td> <td>12.0m (39.3ft.)</td> <td>12.5m (41.0ft.)</td> </tr> <tr> <td>FWD/RWD/RWD DRW L2</td> <td>13.6m (44.6ft.)</td> <td>14.1m (46.2ft.)</td> </tr> <tr> <td>FWD L3</td> <td>15.7m (51.5ft.)</td> <td>16.2m (53.1ft.)</td> </tr> <tr> <td>RWD/RWD DRW L3</td> <td>13.6m (44.6ft.)</td> <td>14.1m (46.2ft.)</td> </tr> <tr> <td>RWD/RWD DRW L4</td> <td>15.7m (51.5ft.)</td> <td>16.2m (53.1ft.)</td> </tr> </tbody> </table>	Turning circles	Kerb-to-kerb	Wall-to-wall	FWD L1	12.0m (39.3ft.)	12.5m (41.0ft.)	FWD/RWD/RWD DRW L2	13.6m (44.6ft.)	14.1m (46.2ft.)	FWD L3	15.7m (51.5ft.)	16.2m (53.1ft.)	RWD/RWD DRW L3	13.6m (44.6ft.)	14.1m (46.2ft.)	RWD/RWD DRW L4	15.7m (51.5ft.)	16.2m (53.1ft.)		●		
Turning circles	Kerb-to-kerb	Wall-to-wall																				
FWD L1	12.0m (39.3ft.)	12.5m (41.0ft.)																				
FWD/RWD/RWD DRW L2	13.6m (44.6ft.)	14.1m (46.2ft.)																				
FWD L3	15.7m (51.5ft.)	16.2m (53.1ft.)																				
RWD/RWD DRW L3	13.6m (44.6ft.)	14.1m (46.2ft.)																				
RWD/RWD DRW L4	15.7m (51.5ft.)	16.2m (53.1ft.)																				
<p>Brakes</p> <p>Front ventilated disc brakes: • FWD/RWD/RWD DRW: 302mm x 28mm</p> <p>Rear disc brakes: • FWD/RWD: 305mm x 12mm • RWD DRW: 305mm x 18mm</p>		●																				

● = Standard equipment. ○ = Optional at extra cost.

NEW MOVANO FEATURES/OPTIONS

MECHANICAL CONTINUED

	Option code	Movano	Price (£) exc. VAT	Price (£) inc. VAT
Fuel tank		●		
• 80 litres (17.6 gallons) capacity				
• 105 litres (23.1 gallons) capacity – Not available on Core Conversions (excluding L3 Box)	NH7	○	110.00	132.00
AdBlue® tank		●		
• 26 litres (5.7 gallons) capacity				
Towing				
• Tow bar with 13-pin electrics (does not suit trailers with LED lights) • Trailer stability programme – Unless specific exemptions apply, vehicles operated with a trailer, where the combined weight of the vehicle, trailer and payload exceeds 3500kg, require a digital tachograph. For trailers with LED lights use genuine Vauxhall Accessory tow bars which also include trailer stability programme. Not available on Aluminium Tipper L4 H1 RWD Crew Cab DRW models	VR2/VTO	○	385.00	462.00
Electrical		●		
• 95Ah maintenance-free battery (105Ah on Tecshift models) • 185A alternator				
• Second battery – Requires six-pin electrical connector. Not available with single passenger seat options, spare wheel or Convenience Pack on FWD models	OBC	○	485.00	582.00
CANbus interface				
Allows the vehicle's electrical systems to integrate with additional equipment – Standard on RWD DRW 4500 models.	KC6	○	135.00	162.00
Six-pin electrical connector for conversions				
– Standard on Droptside/Tipper	KPD	○	60.00	72.00

● = Standard equipment. ○ = Optional at extra cost.

NEW MOVANO FEATURES/OPTIONS

MECHANICAL CONTINUED

	Option code	Movano	Price (£) exc. VAT	Price (£) inc. VAT
Front suspension • MacPherson type • Independent double wishbones • Coil springs • Telescopic dampers		●		
Rear suspension • Tubular axle • Telescopic dampers • Variable rate leaf springs FWD models: • Single leaf springs • Single rear wheels RWD models: • Double leaf springs • Single rear wheels RWD DRW models: • Triple leaf springs • Twin rear wheels		●		
Body Conversion Pack A (Chassis and Platform Cab) • Extended wiring loom • Six-pin connector for conversions • 16-pin connector for cab-based conversions	XZCM	○	95.00	114.00
Body Conversion Pack B (Crew Cab) • Extended wiring loom • Six-pin connector for conversions	XZCN	○	60.00	72.00

● = Standard equipment. ○ = Optional at extra cost.


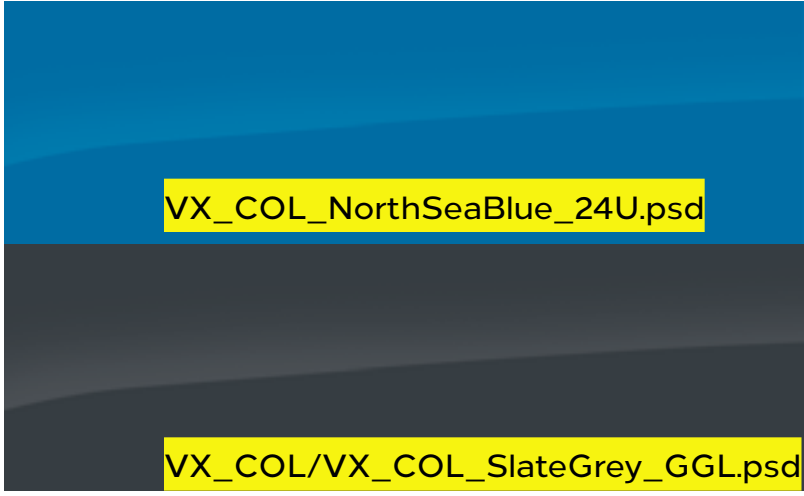







NEW MOVANO FEATURES/OPTIONS

ADDITIONAL FEATURES

	Option code	Movano	Price (£) exc. VAT	Price (£) inc. VAT
<p>Tipper</p> <p>Tipper assembly:</p> <ul style="list-style-type: none"> • Five-stage chrome-plated underfloor ram • Sliding and internal self-lubricating components made of reinforced nylon and Teflon • Anti-vibration Teflon plates on a secondary frame <p>Tipper deck:</p> <ul style="list-style-type: none"> • Steel platform, powder coated in dark grey • Integrated cabin protection and ladder rack • 400mm anodised aluminium removable side and rear alloy panels with recessed hinges • Top and bottom hinged rear panel • Recessed side and tailboard operating levers • Removable rear posts • Galvanised fixing bolts • Automatically releasing rear panel during the rear tipping phase • Frame and cross-members in edged galvanised sheet <p>Electrics:</p> <ul style="list-style-type: none"> • Audible warning during operation • Fused power supply with isolator switch • Electro/hydraulic power pack • Side lights where required • Remote control on wander lead located behind driver's seat <p>Exterior:</p> <ul style="list-style-type: none"> • Additional half-height tool box on L3 Chassis Cab Tipper models (2100 x 650 x 750mm) • Rear mudflaps • Side-protection under-run bars – 4500 models only <p>Load restraint:</p> <ul style="list-style-type: none"> • Eight integrated load lashing points conforming to DIN 75410 standards 		●		
<p>Dropside</p> <p>Exterior:</p> <ul style="list-style-type: none"> • Plywood load floor with non-slip resin surface coating • Integrated cabin protection and ladder rack • 400mm anodised aluminium removable side and rear alloy panels with recessed hinges • Removable rear posts • Integrated load lashing rings conforming to DIN 75410 standards • Rear mudguards • Galvanised fixing bolts • Side lights where required • Frame and cross-members in edged galvanised sheet • Side-protection under-run bars – 4500 models only 		●		
<p>Box Van</p> <p>Interior/exterior:</p> <ul style="list-style-type: none"> • Polyester lightweight box with smooth external appearance • Aluminium frame • Long arm exterior mirrors • 18mm plywood covered anti-slip floor • Twin rear 270° opening aluminium doors • Folding rear step fitted to offside 		●		
Rear roller shutter door	D5W	○	760.00	912.00

● = Standard equipment. ○ = Optional at extra cost.

NEW MOVANO EXTERIOR COLOURS

				Movano	Price (£) exc. VAT	Price (£) inc. VAT	
Solid	 VX_COL_PolarWhite_GNY.psd	Polar White (GNY)	 VX_COL_NorthSeaBlue_24U.psd VX_COL/VX_COL_SlateGrey_GGL.psd	●			
	 VX_COL_SignalBlue_GKX.psd	Signal Blue (GKX)					North Sea Blue (24U)
	 VX_COL_SaffronYellow_98U.psd	Saffron Yellow (98U)					Slate Grey (GGL)
Brilliant	 VX_COL_PoppyRed_74U.psd	Poppy Red (74U)	 VX_COL_MandarinOrange_99U.psd	○	317.00	380.40	
Two-coat	 VX_COL_HaloSilver_GKY.psd	Halo Silver metallic (GKY)	 VX_COL_PearlBlack_GUK.psd	○	625.00	750.00	
	 VX_COL_AmbientBlue_GKW.psd	Ambient Blue metallic (GKW)					Pearl Black metallic (GUK)

The colours reproduced may vary slightly from the actual paint colour. As a result they should be used as a guide only. Your Vauxhall Retailer has a comprehensive display of our paint samples.

On Cab and Conversion variants the colours illustrated apply to the vehicle cab only.

● = Standard equipment. ○ = Optional at extra cost.

NEW MOVANO WHEELS AND TYRES





	Option code	Movano	Price (£) exc. VAT	Price (£) inc. VAT
FWD 2800/FWD 3300 models <ul style="list-style-type: none"> • 6.5J x 16-inch steel wheels • 215/65 R 16 tyres • Full-size spare wheel • Wheel centre covers 		●		
FWD 3500/3900 models <ul style="list-style-type: none"> • 6.5J x 16-inch steel wheels • 225/65 R 16 tyres • Full-size spare wheel • Wheel centre covers 		●		
RWD 3500 models <ul style="list-style-type: none"> • 7J x 16-inch steel wheels • 235/65 R 16 tyres • Full-size spare wheel • Wheel centre covers 		●		
RWD DRW 3500/RWD DRW 4500 models <ul style="list-style-type: none"> • 5.5J x 16-inch steel wheels • 195/75 R 16 tyres • Twin rear wheels • Full-size spare wheel 		●		

● = Standard equipment.

NEW MOVANO WHEELS AND TYRES

	Option code	Movano	Price (£) exc. VAT	Price (£) inc. VAT
All-season tyres - Continental Vanco Four Season 2 FWD models: 225/65 R 16 – Not available on FWD 2800 models. RWD models: 235/65 R 16 RWD DRW models: 195/75 R 16 – Not available on RWD 4500 models.	NRK	O	360.00	432.00
Full-diameter wheel covers – Not available on RWD DRW models.	QP9	O	60.00	72.00
Tyre inflation kit in lieu of spare wheel – Not available on RWD/RWD DRW models.	WTC	N/C	No-cost option	

Tyre Rating

Tyre size	Fuel efficiency group	Wet grip performance	External noise	
			Measured (dB)	Group
195/75 R 16	B	B	72	
215/65 R 16	B	B	71	
225/65 R 16	B-E	B-C	70	
235/65 R 16	C-E	B	70	

Tyre rating according to EU Regulation 1222/2009

O = Optional at extra cost. N/C = No-cost option.

NEW MOVANO DIESEL ENGINES

Engine (Front-wheel drive models)	2.3 (135PS) Turbo D BlueInjection	2.3 (150PS) Turbo D BlueInjection with S/S	2.3 (180PS) Turbo D BlueInjection with S/S
Capacity	2298cc	2298cc	2298cc
Maximum power	135PS (99kW) @ 3500rpm	150PS (110kW) @ 3500rpm	180PS (132kW) @ 3500rpm
Maximum torque	360Nm (266 lb.ft.) @ 1600rpm	385Nm (284 lb.ft.) @ 1750rpm	400Nm (295 lb.ft.) @ 1500-2750rpm
Configuration	4 cylinders, 4 valves per cylinder, double overhead camshafts	4 cylinders, 4 valves per cylinder, double overhead camshafts	4 cylinders, 4 valves per cylinder, double overhead camshafts
Fuel/induction system	Twin variable geometry turbochargers with intercoolers. Common rail fuel injection	Twin variable geometry turbochargers with intercoolers. Common rail fuel injection	Twin variable geometry turbochargers with intercoolers. Common rail fuel injection
Emission compliance	Euro 6D TEMP	Euro 6D TEMP	Euro 6D TEMP
WLTP fuel economy range - mpg (l/100km)	26.9 (10.5) - 31.4 (9.0)	27.4 (10.3) - 32.2 (8.8)	26.9 (10.5) - 31.4 (9.0)
WLTP CO ₂ emission range - g/km	276 - 236	270 - 230	277 - 235
Service interval	25,000 miles or two years (whichever occurs sooner)	25,000 miles or two years (whichever occurs sooner)	25,000 miles or two years (whichever occurs sooner)

Engine (Rear-wheel drive models*)	2.3 (130PS) Turbo D BlueInjection	2.3 (145PS) Turbo D BlueInjection with S/S	2.3 (165PS) Turbo D BlueInjection with S/S
Capacity	2298cc	2298cc	2298cc
Maximum power	130PS (96kW) @ 3500rpm	145PS (107kW) @ 3500rpm	165PS (120kW) @ 3500rpm
Maximum torque	330Nm (243 lb.ft.) @ 1500rpm	360Nm (266 lb.ft.) @ 1500rpm	380Nm (266 lb.ft.) @ 2000rpm
Configuration	4 cylinders, 4 valves per cylinder, double overhead camshafts	4 cylinders, 4 valves per cylinder, double overhead camshafts	4 cylinders, 4 valves per cylinder, double overhead camshafts
Fuel/induction system	Twin variable geometry turbochargers with intercoolers. Common rail fuel injection	Twin variable geometry turbochargers with intercoolers. Common rail fuel injection	Twin variable geometry turbochargers with intercoolers. Common rail fuel injection
Emission compliance	EuroVIId	EuroVIId	EuroVIId
Service interval	25,000 miles or two years (whichever occurs sooner)	25,000 miles or two years (whichever occurs sooner)	25,000 miles or two years (whichever occurs sooner)

S/S = Start/Stop. *RWD heavy-duty engines have no requirement to comply with WLTP legislation.

Vehicles with BlueInjection technology will need regular AdBlue® top-ups also between servicing requirements. An indicator integrated into the on-board computer will warn you when you need to top up. More information under www.vauxhall.co.uk/adblue
In accordance with regulations R (EC) No. 715/2007 and R (EC) No. 692/2008 (in the versions respectively applicable).

NEW MOVANO FWD PANEL VAN SPECIFICATIONS

Loadspace Dimensions	L1	L2	L3
Maximum length	2583 (101.7)	3083 (121.4)	3733 (147.0)
Maximum width	1765 (69.5)	1765 (69.5)	1765 (69.5)
Width between wheel arches	1380 (54.3)	1380 (54.3)	1380 (54.3)
Maximum height – H1	1700 (66.9)	–	–
Maximum height – H2	1894 (74.6)	1894 (74.6)	1894 (74.6)
Maximum height – H3	–	2144 (84.4)	2144 (84.4)

Loadspace Access	L1	L2	L3
Side door aperture height – H1	1581 (62.2)	–	–
Side door aperture height – H2/H3	1780 (70.1)	1780 (70.1)	1780 (70.1)
Side door aperture width	1050 (41.3)	1270 (50.0)	1270 (50.0)
Rear door aperture height – H1	1627 (64.0)	–	–
Rear door aperture height – H2/H3	1820 (71.7)	1820 (71.7)	1820 (71.7)
Rear door aperture width	1577 (62.1)	1577 (62.1)	1577 (62.1)
Loading height (unladen)	563 (22.2)	562 (22.1)	557 (21.9)

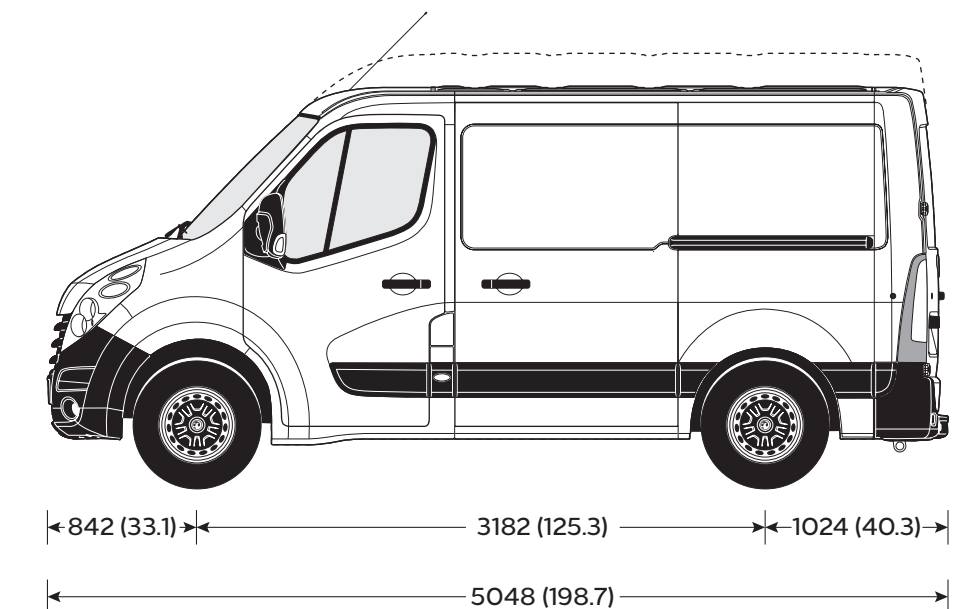
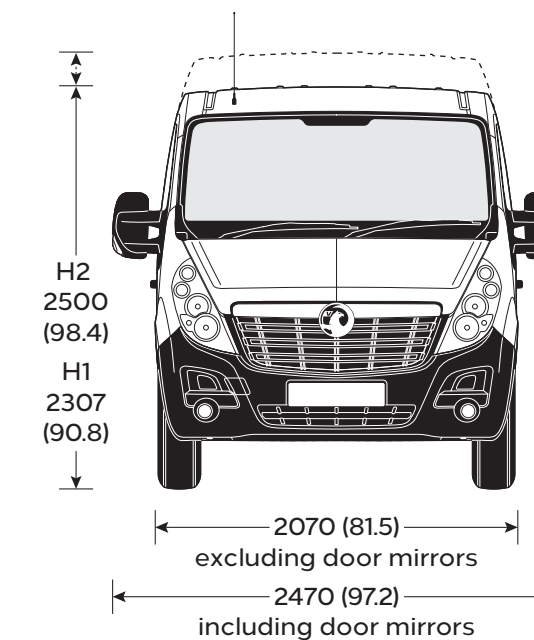
	L1 H1	L1 H2	L2 H2	L2 H3	L3 H2	L3 H3
Loadspace Volumes cu.m (cu.ft.)						
Panel Van – Maximum	7.8 (275)	8.6 (304)	10.8 (381)	12.3 (434)	13.0 (459)	14.8 (523)
Panel Van – VDA	7.0 (247)	–	9.4 (322)	–	11.3 (399)	–

Plated Weights and Towing Data kg

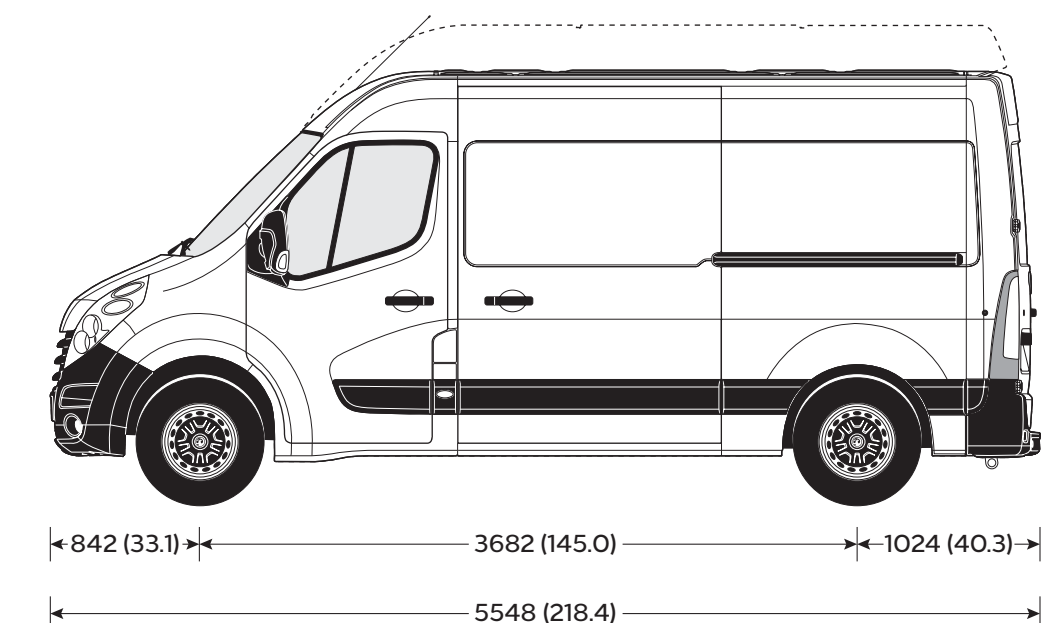
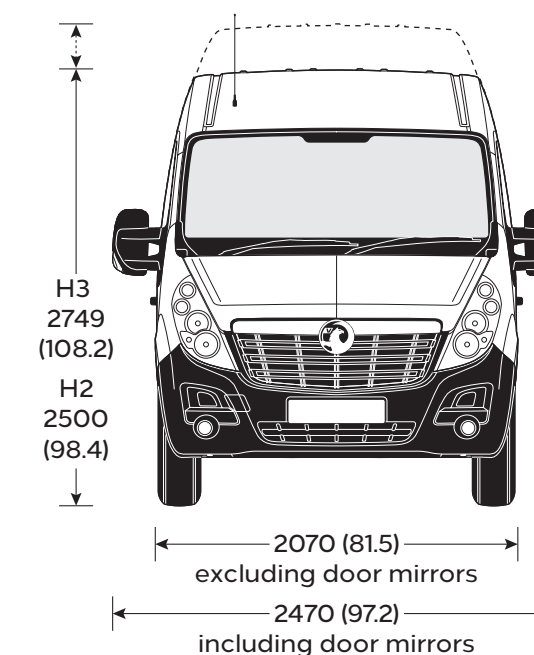
Model		Gross Vehicle Weights (GVW)	Plated weights		Towing weights		Plated Gross Combination Weights (GCW)
			Front axle	Rear axle	Braked	Un-braked	
L1 H1/H2 Panel Van	F2800	2800	1550	1650	2500	750	5300
	F3300	3300	1650	1900	2500	750	5800
	F3500	3500	1850	2100	2500	750	6000
L2 H2/H3 Panel Van	F3300	3300	1700	1900	2500	750	5800
	F3500	3500	1850	2100	2500	750	6000
L3 H2/H3 Panel Van	F3500	3500	1850	2100	2500	750	6000

Gross plated weights (including axle weights) quoted on the vehicle plate are to UK plated weight specification and must never be exceeded. For further information please see Glossary of Terms.

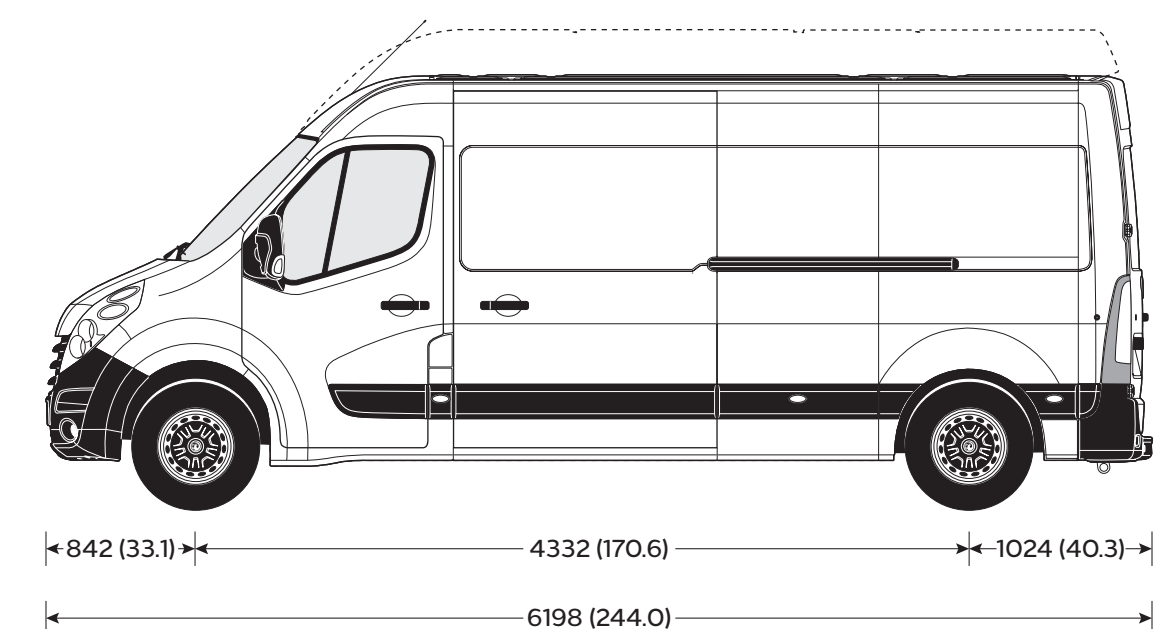
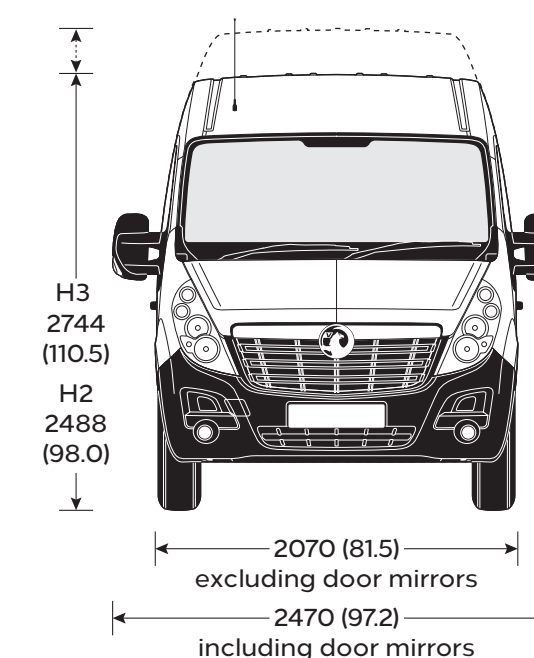
All measurements are in mm (inches) unless stated otherwise. Heights shown unladen.



L1 H1/H2



L2 H2/H3

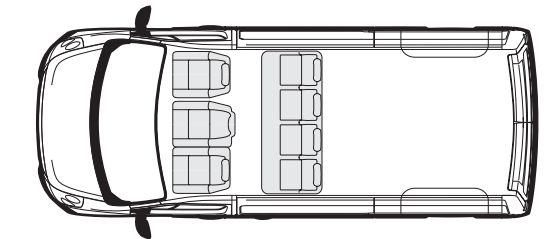
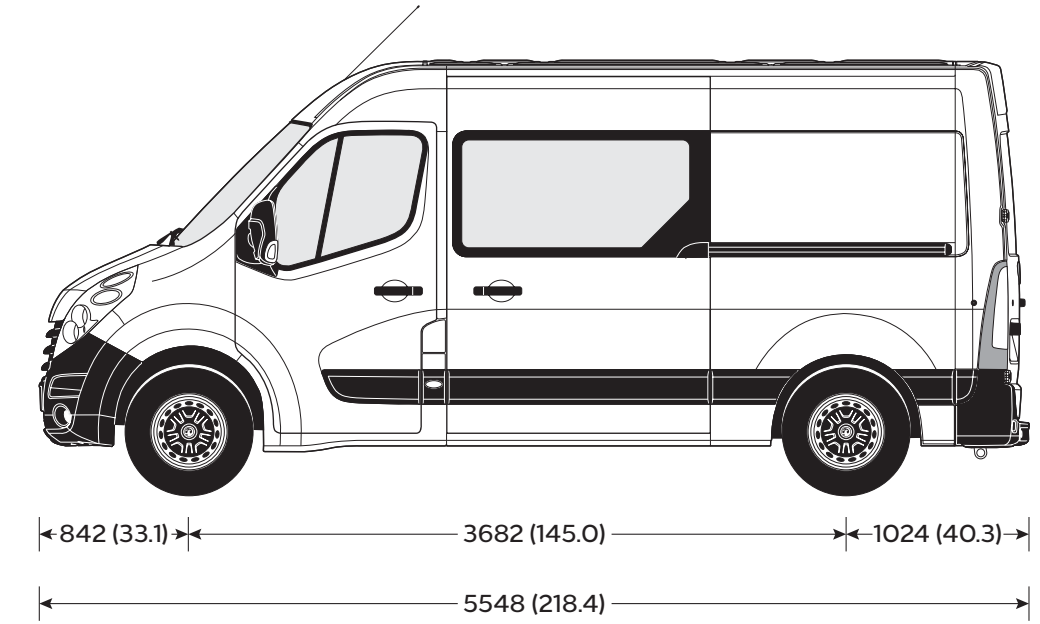
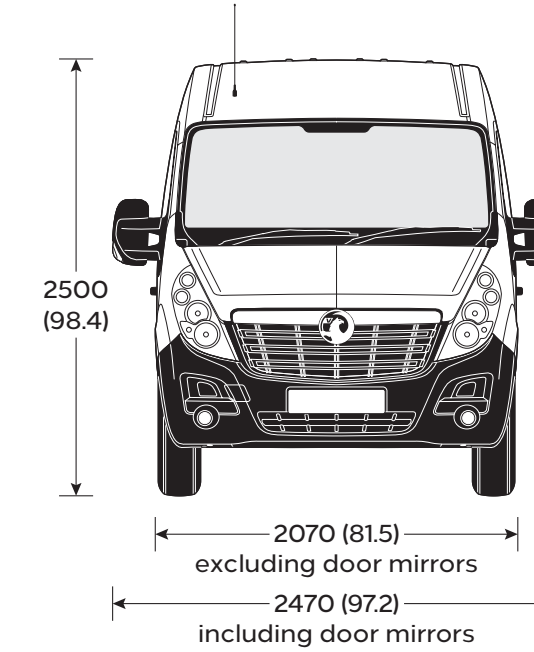


L3 H2/H3

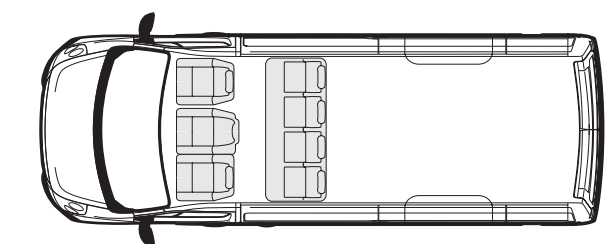
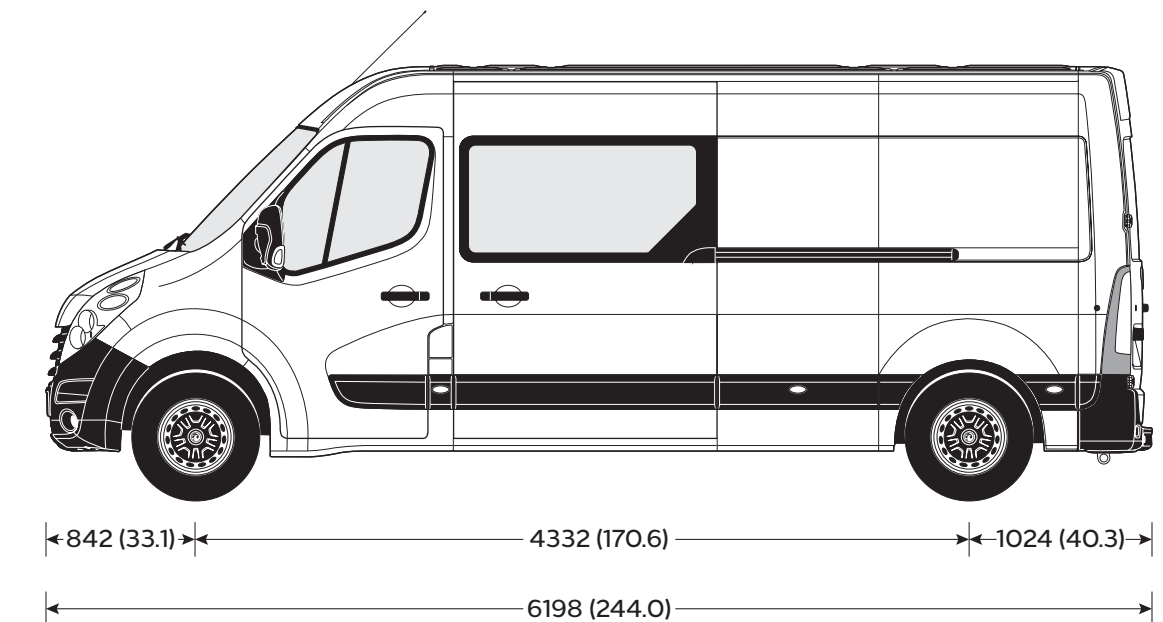
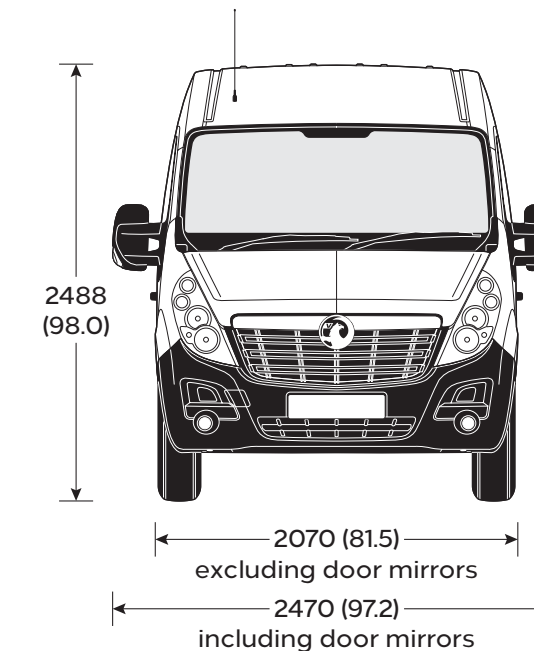
NEW MOVANO FWD DOUBLECAB SPECIFICATIONS

Loadspace Dimensions	L2	L3
Maximum length at load floor	2175 (85.6)	2825 (111.2)
Maximum length behind rear seats	1990 (78.3)	2640 (103.9)
Maximum width	1765 (69.5)	1765 (69.5)
Width between wheel arches	1380 (54.3)	1380 (54.3)
Maximum height	1894 (74.6)	1894 (74.6)
Loadspace Access		
Side door aperture height	1780 (70.1)	1780 (70.1)
Side door aperture width	1270 (50.0)	1270 (50.0)
Rear door aperture height	1820 (71.7)	1820 (71.7)
Rear door aperture width	1577 (62.1)	1577 (62.1)
Loading height (unladen)	562 (22.1)	557 (21.9)
Loadspace Volumes cu.m (cu.ft.)		
Doublecab	6.9 (244)	9.0 (318)

Plated Weights and Towing Data kg							
Model	Gross Vehicle Weights (GVW)	Plated weights		Towing weights		Plated Gross Combination Weights (GCW)	
		Front axle	Rear axle	Braked	Un-braked		
L2 H2/L3 H2 Doublecab F3500	3500	1850	2100	2500	750	6000	



L2 H2



L3 H2

Gross plated weights (including axle weights) quoted on the vehicle plate are to UK plated weight specification and must never be exceeded. For further information please see Glossary of Terms.

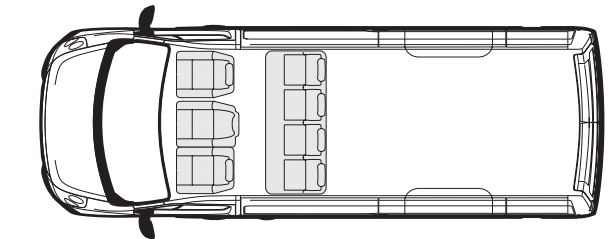
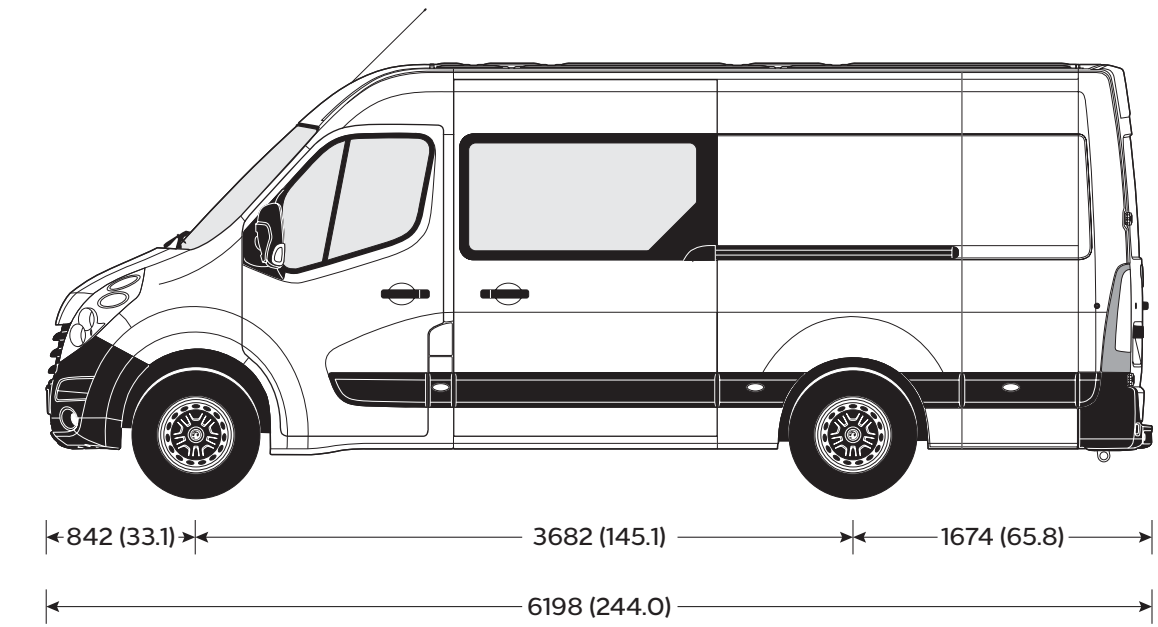
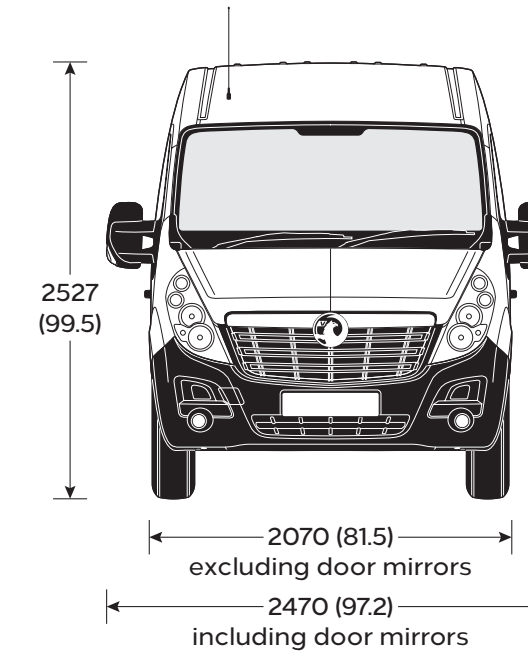
All measurements are in mm (inches) unless stated otherwise. Heights shown unladen.

NEW MOVANO RWD DOUBLECAB SPECIFICATIONS

Loadspace Dimensions	L3
Maximum length at load floor	2825 (111.2)
Maximum length behind rear seats	2640 (103.9)
Maximum width	1765 (69.5)
Width between wheel arches	1380 (54.3)
Maximum height	1798 (70.8)
Loadspace Access	
Side door aperture height	1684 (66.3)
Side door aperture width	1270 (50.0)
Rear door aperture height	1724 (67.9)
Rear door aperture width	1577 (62.1)
Loading heights (unladen)	674 (26.5) – 696 (27.4)
Loadspace Volumes cu.m (cu.ft.)	
Doublecab	8.4 (297)

Plated Weights and Towing Data kg

Model		Gross Vehicle Weights (GVW)	Plated weights		Towing weights		Plated Gross Combination Weights (GCW)
			Front axle	Rear axle	Braked	Un-braked	
L3 H2 Doublecab	R3500	3500	1850	2300	2500	750	6000



L3 H2

Gross plated weights (including axle weights) quoted on the vehicle plate are to UK plated weight specification and must never be exceeded. For further information please see Glossary of Terms.

All measurements are in mm (inches) unless stated otherwise. Heights shown unladen.

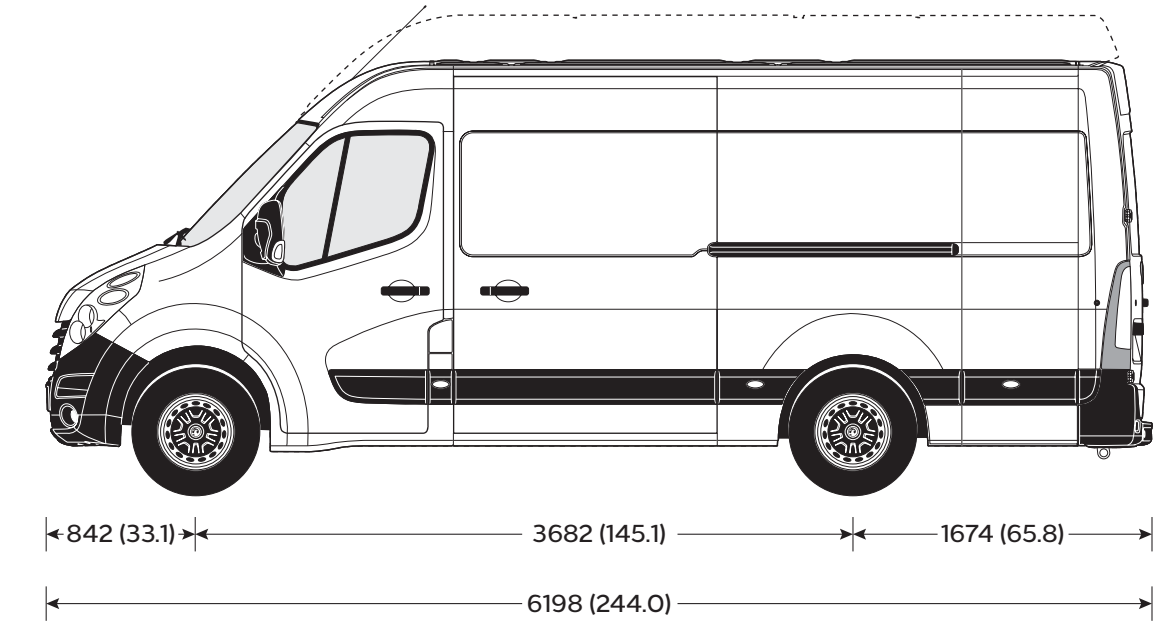
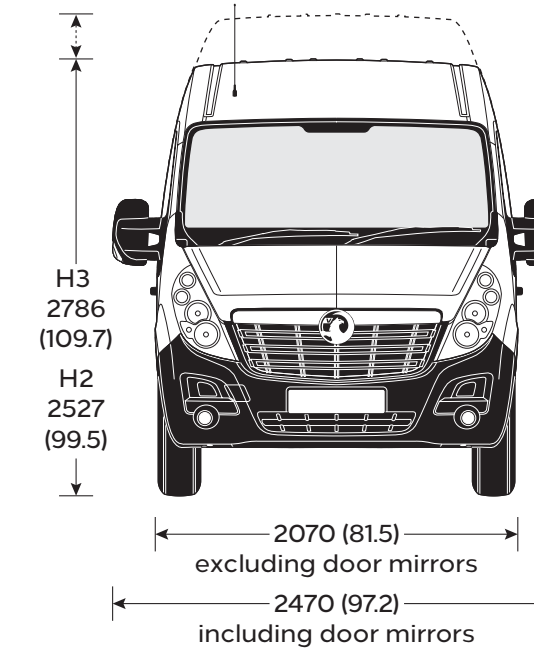
NEW MOVANO RWD PANEL VAN SPECIFICATIONS

Loadspace Dimensions	L3	L4
Maximum length	3733 (147.0)	4383 (172.6)
Maximum width	1765 (69.5)	1765 (69.5)
Width between wheel arches	1380 (54.3)	1380 (54.3)
Maximum height – H2	1798 (70.8)	1798 (70.8)
Maximum height – H3	2048 (80.6)	2048 (80.6)

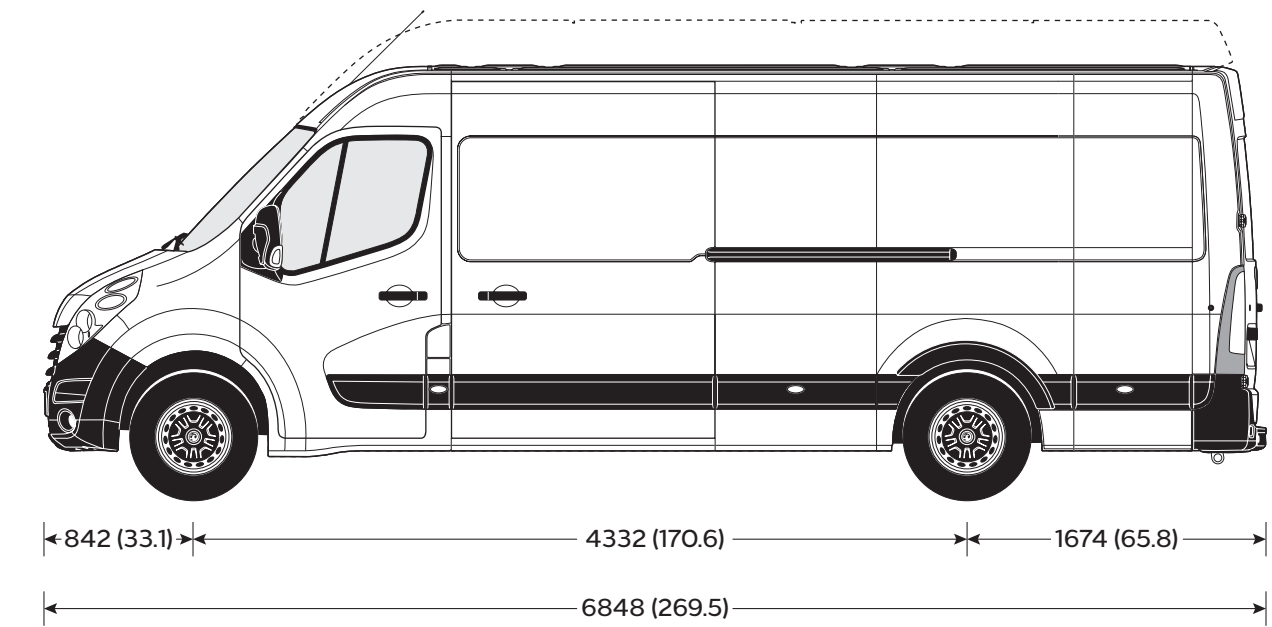
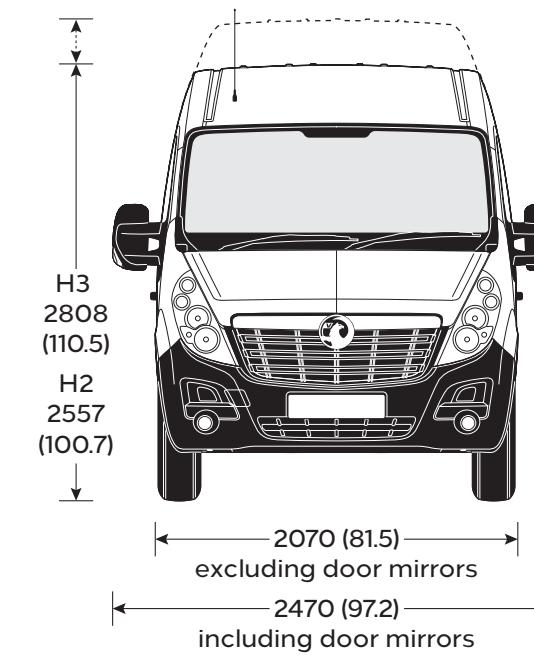
Loadspace Access	L3	L4
Side door aperture height	1684 (66.3)	1684 (66.3)
Side door aperture width	1270 (50.0)	1270 (50.0)
Rear door aperture height	1724 (67.9)	1724 (67.9)
Rear door aperture width	1577 (62.1)	1577 (62.1)
Loading heights (unladen)	696 (27.4) – 724 (28.5)	717 (28.2)

Loadspace Volumes cu.m (cu.ft.)	L3 H2	L3 H3	L4 H2	L4 H3
Panel Van – Maximum	12.4 (438)	14.2 (501)	14.9 (526)	17.0 (600)
Panel Van – VDA	10.9 (385)	12.2 (431)	12.9 (456)	14.1 (498)

Plated Weights and Towing Data kg							
Model		Gross Vehicle Weights (GVW)	Plated weights		Towing weights		Plated Gross Combination Weights (GCW)
			Front axle	Rear axle	Braked	Un-braked	
L3 H2/H3 Panel Van	R3500	3500	1850	2300	2500	750	6000
L4 H2/H3 Panel Van	R3500	3500	1850	2300	2500	750	6000



L3 H2/H3



L4 H2/H3

Gross plated weights (including axle weights) quoted on the vehicle plate are to UK plated weight specification and must never be exceeded. For further information please see Glossary of Terms.

All measurements are in mm (inches) unless stated otherwise. Heights shown unladen.

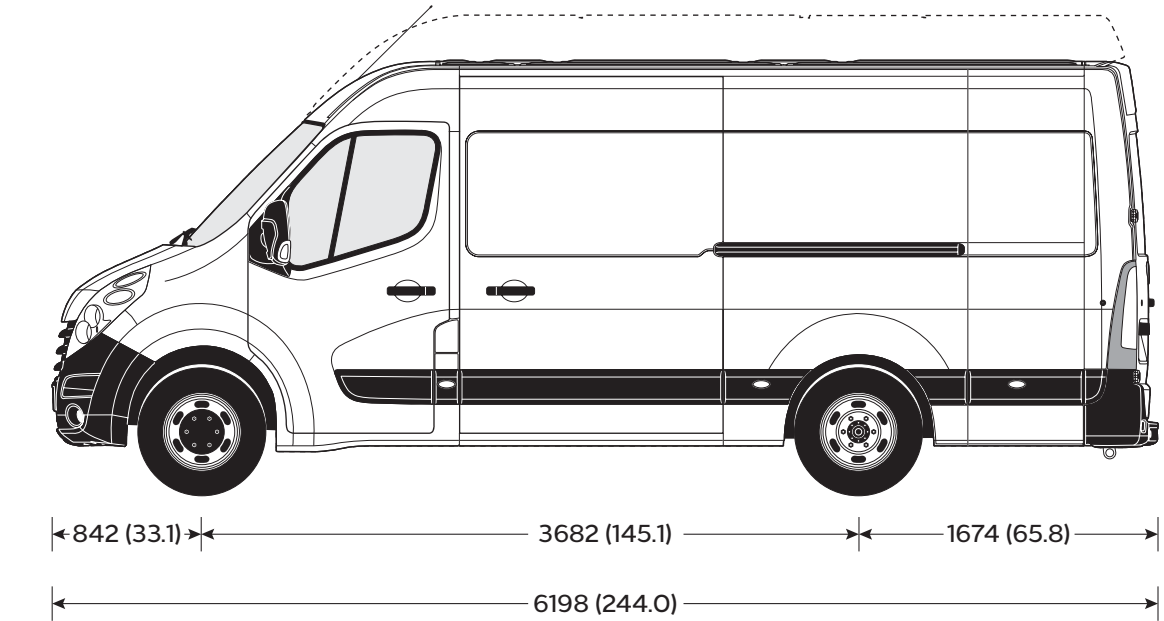
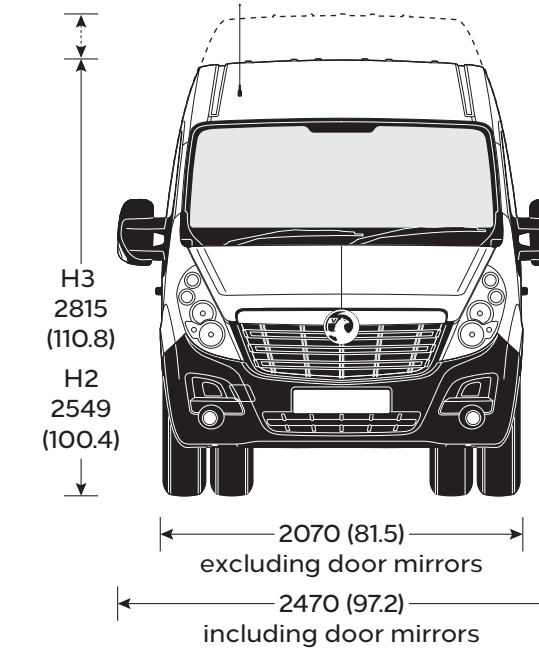
NEW MOVANO RWD DRW PANEL VAN SPECIFICATIONS

Loadspace Dimensions	L3	L4
Maximum length	3733 (147.0)	4383 (172.6)
Maximum width	1765 (69.5)	1765 (69.5)
Width between wheel arches	1080 (42.5)	1080 (42.5)
Maximum height – H2	1798 (70.8)	1798 (70.8)
Maximum height – H3	2048 (80.6)	2048 (80.6)

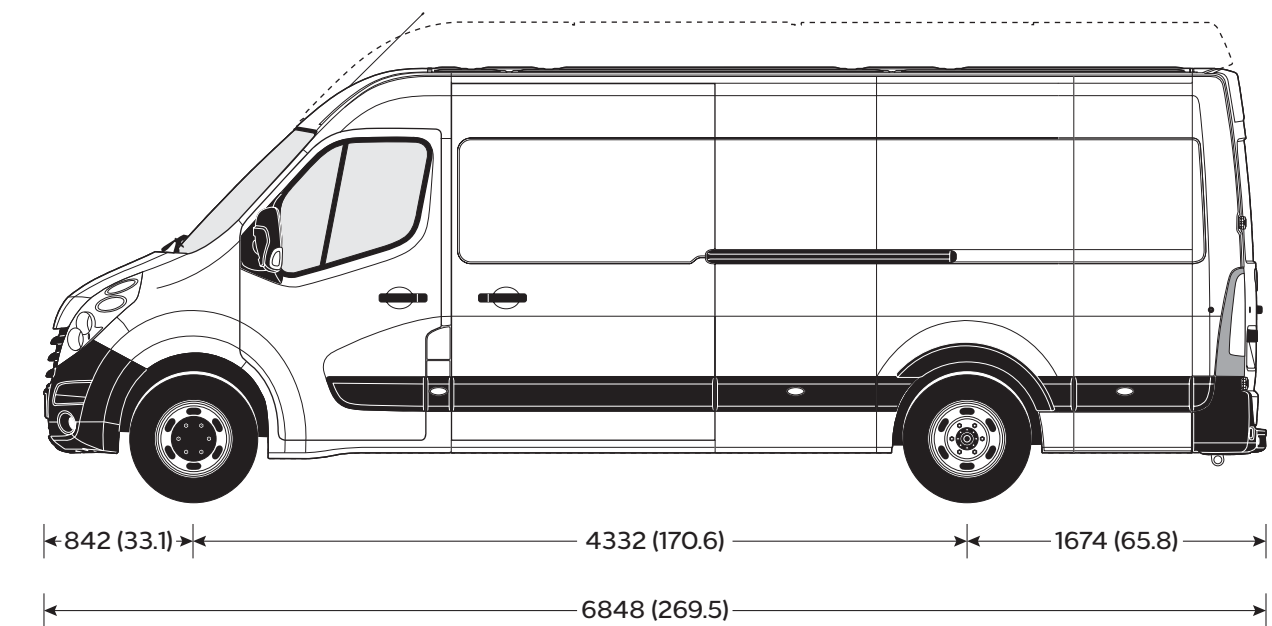
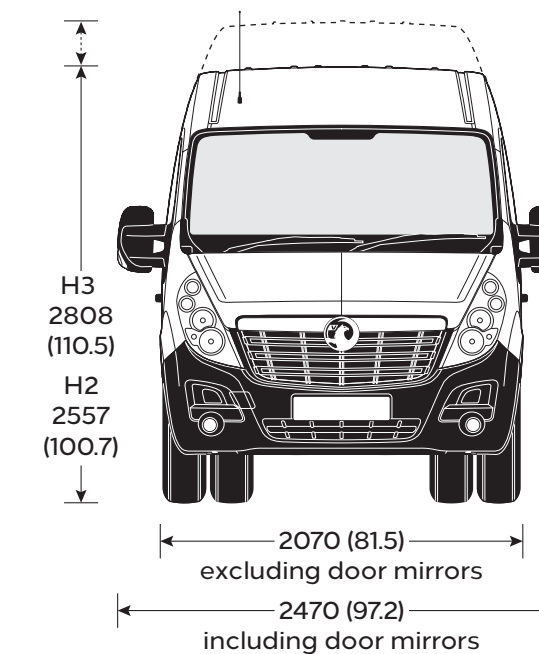
Loadspace Access	L3	L4
Side door aperture height	1684 (66.3)	1684 (66.3)
Side door aperture width	1270 (50.0)	1270 (50.0)
Rear door aperture height	1724 (67.9)	1724 (67.9)
Rear door aperture width	1577 (62.1)	1577 (62.1)
Loading heights	723 (28.4) – 724 (28.5)	717 (28.2)

Loadspace Volumes cu.m (cu.ft.)	L3 H2	L3 H3	L4 H2	L4 H3
Panel Van – Maximum	12.4 (438)	14.2 (501)	14.9 (526)	17.0 (600)
Panel Van – VDA	10.7 (378)	12.0 (424)	12.7 (448)	13.9 (491)

Plated Weights and Towing Data kg							
Model		Gross Vehicle Weights (GVW)	Plated weights		Towing weights		Plated Gross Combination Weights (GCW)
			Front axle	Rear axle	Braked	Un-braked	
L3 H2/H3 Panel Van	R3500 DRW	3500	1850	2800	3000	750	6500
L3 H2/H3 Panel Van	R4500 DRW	4500	1850	3200	3000	750	7500
L4 H2/H3 Panel Van	R3500 DRW	3500	1850	2800	3000	750	6500
L4 H2/H3 Panel Van	R4500 DRW	4500	1850	3200	3000	750	7500



L3 H2/H3



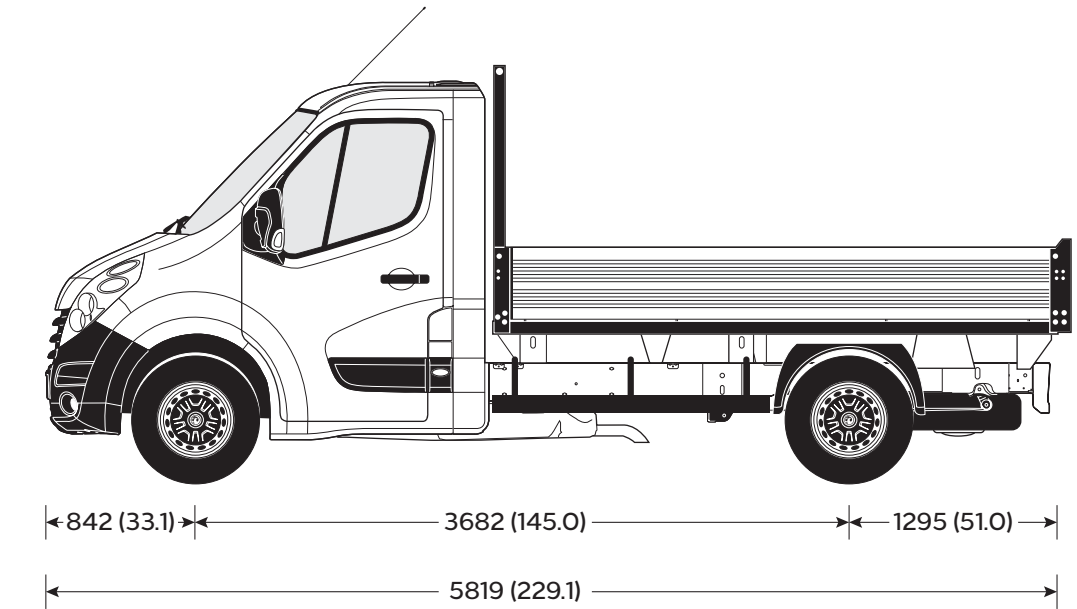
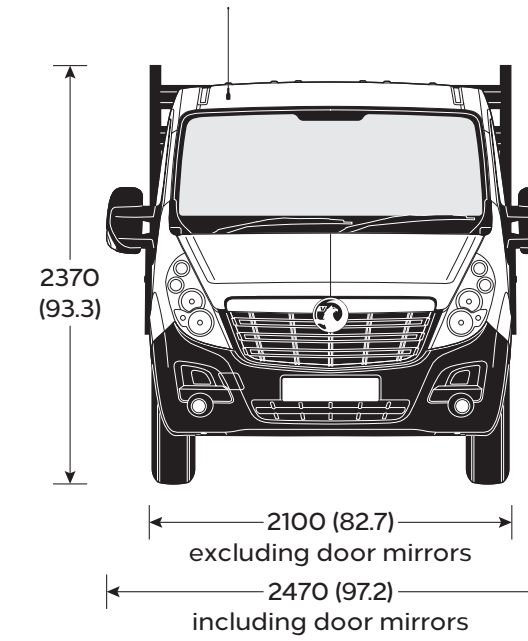
L4 H2/H3

Gross plated weights (including axle weights) quoted on the vehicle plate are to UK plated weight specification and must never be exceeded. For further information please see Glossary of Terms.

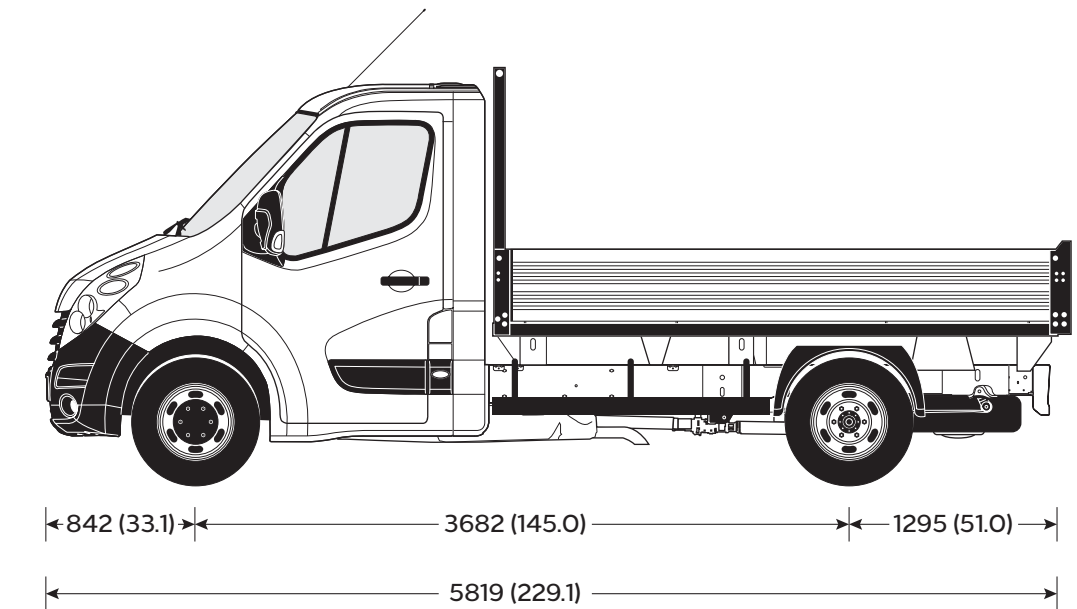
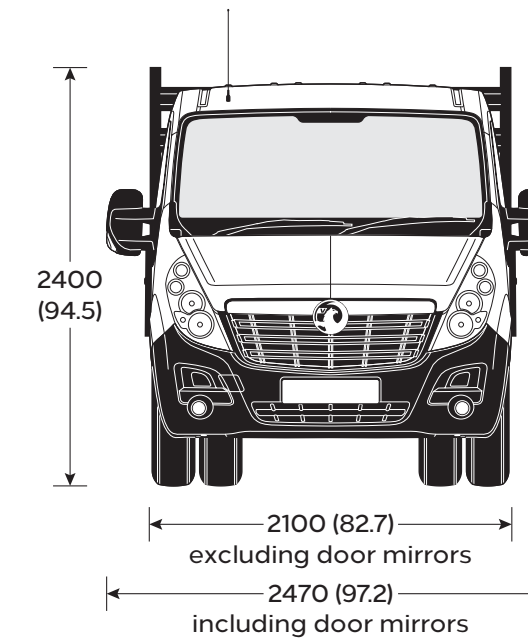
All measurements are in mm (inches) unless stated otherwise. Heights shown unladen.

NEW MOVANO TIPPER SPECIFICATIONS

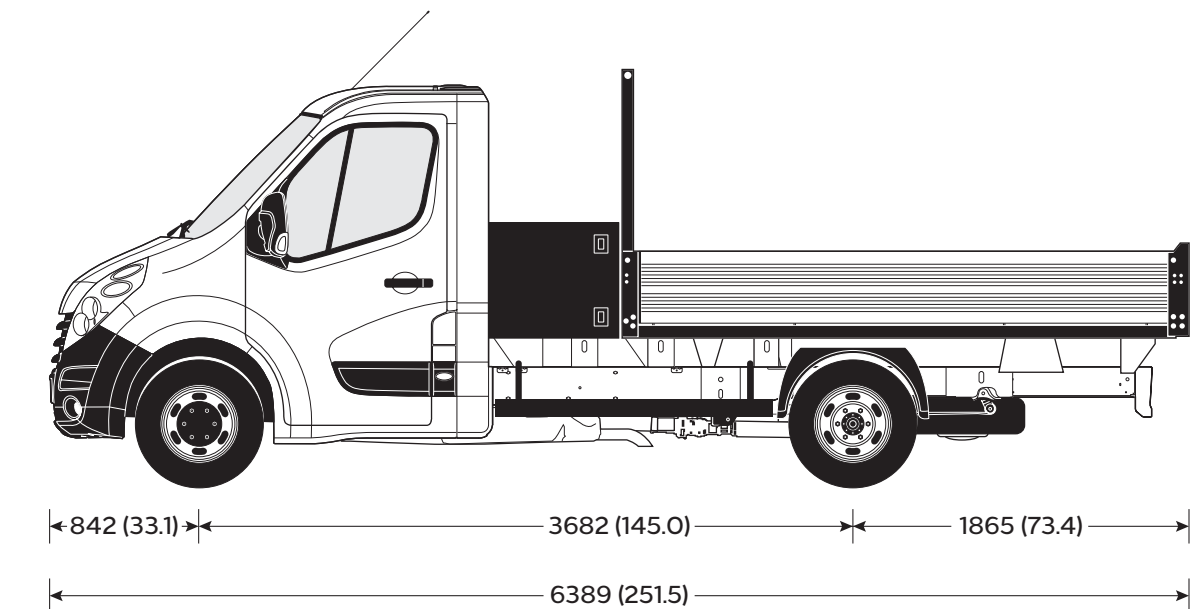
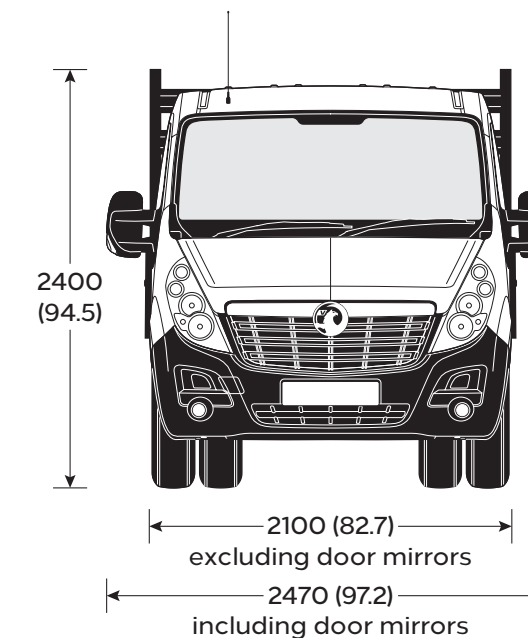
Loadspace Dimensions	L2 FWD	L2 RWD DRW	L3 RWD DRW
Maximum length	3205 (126.2)	3205 (126.2)	3105 (122.2)
Maximum width	2040 (80.3)	2040 (80.3)	2040 (80.3)
Body side height	400 (15.7)	400 (15.7)	400 (15.7)
Loading height (unladen)	1090 (42.9)	1090 (42.9)	1090 (42.9)
Load area sq.m (sq.ft.)	6.5 (69.4)	6.5 (69.4)	6.3 (68.2)



L2 FWD



L2 RWD DRW

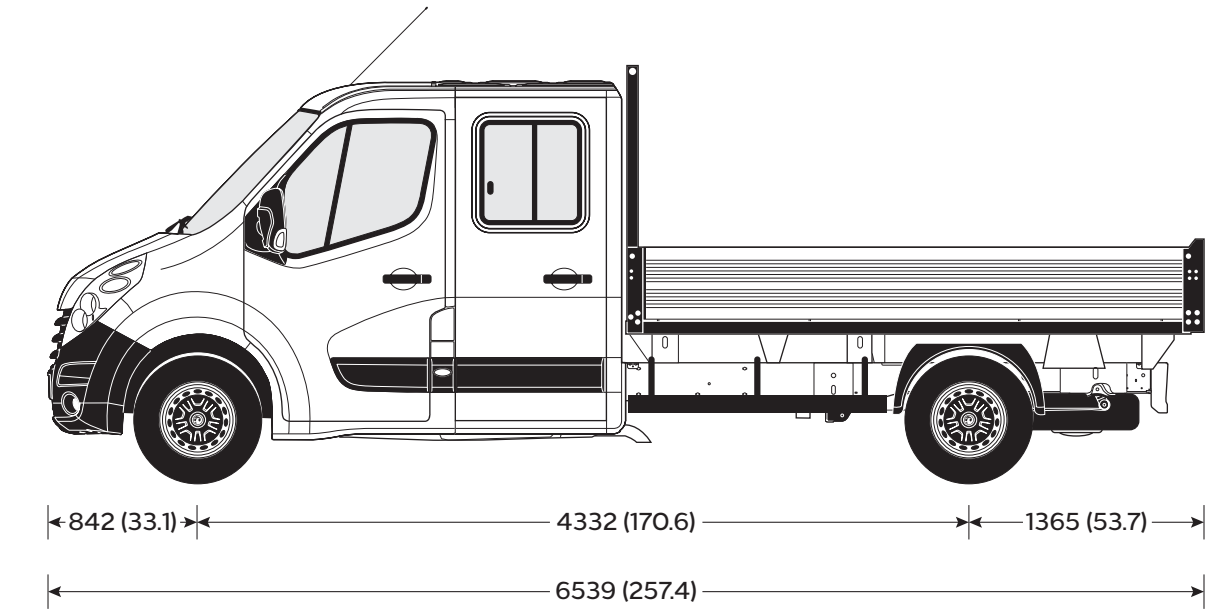
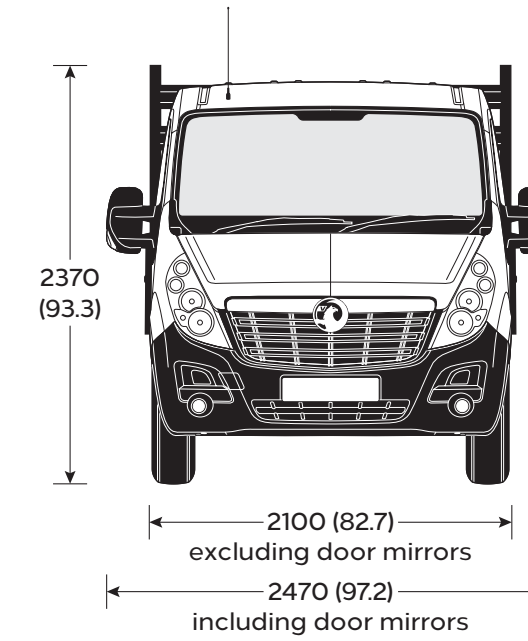


L3 RWD DRW

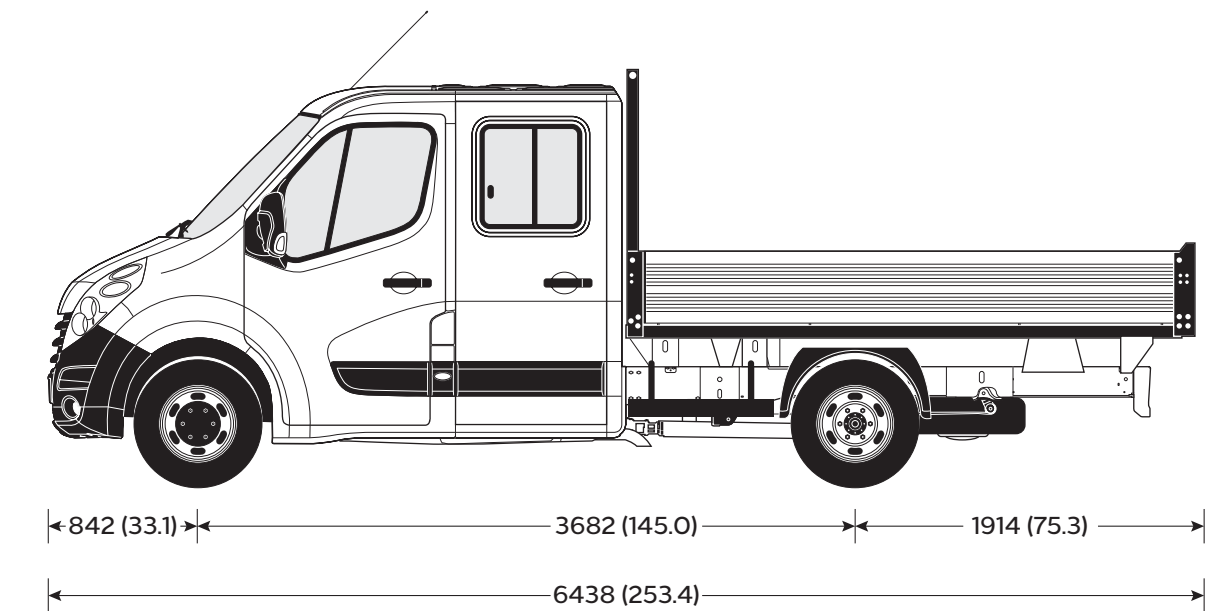
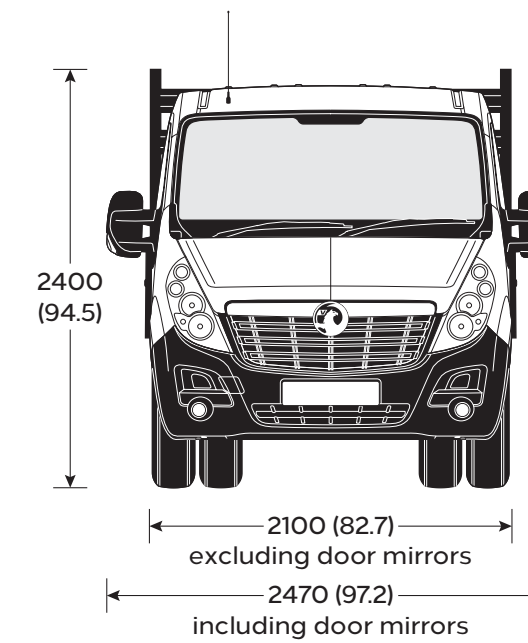
All measurements are in mm (inches) unless stated otherwise. Heights shown unladen.

NEW MOVANO CREW CAB TIPPER SPECIFICATIONS

Loadspace Dimensions	L3 FWD	L3 RWD DRW
Maximum length	3205 (126.2)	3105 (122.2)
Maximum width	2040 (80.3)	2040 (80.3)
Body side height	400 (15.7)	400 (15.7)
Loading height (unladen)	1090 (42.9)	1090 (42.9)
Load area sq.m (sq.ft.)	6.5 (69.4)	6.3 (68.2)



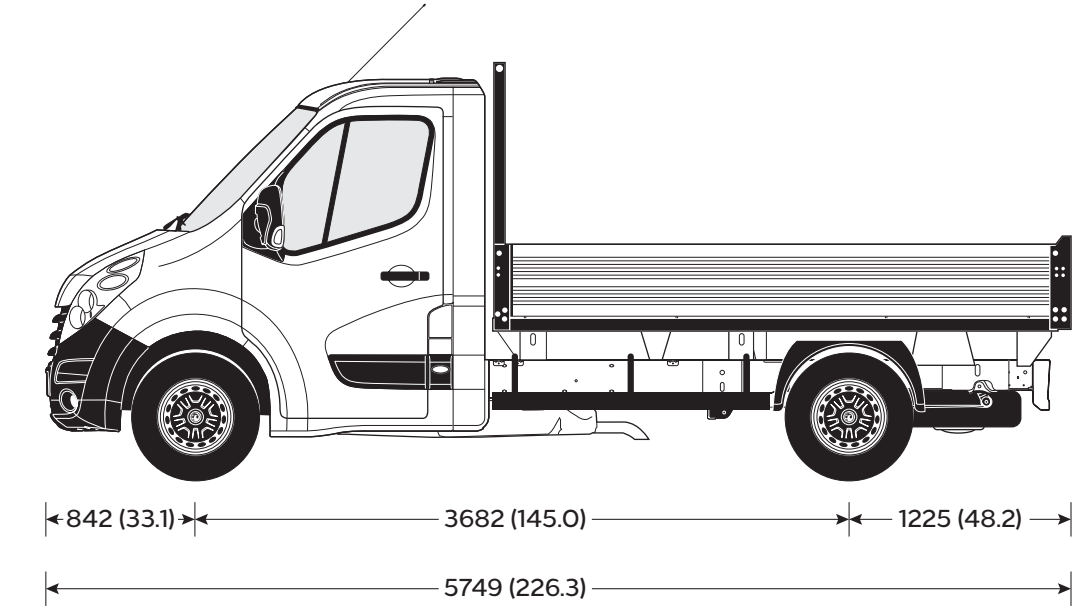
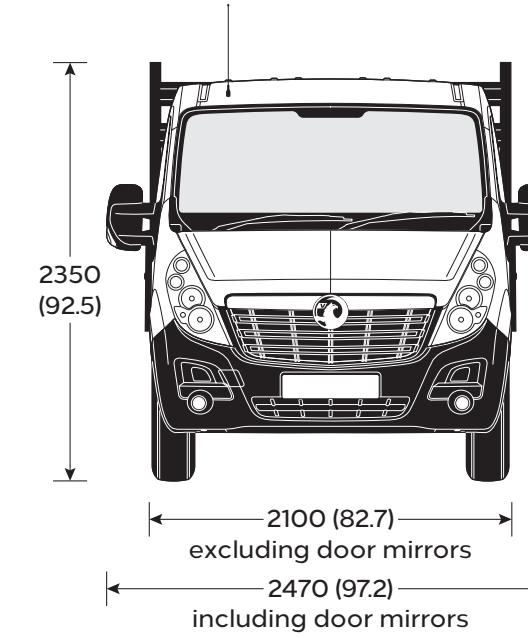
L3 FWD



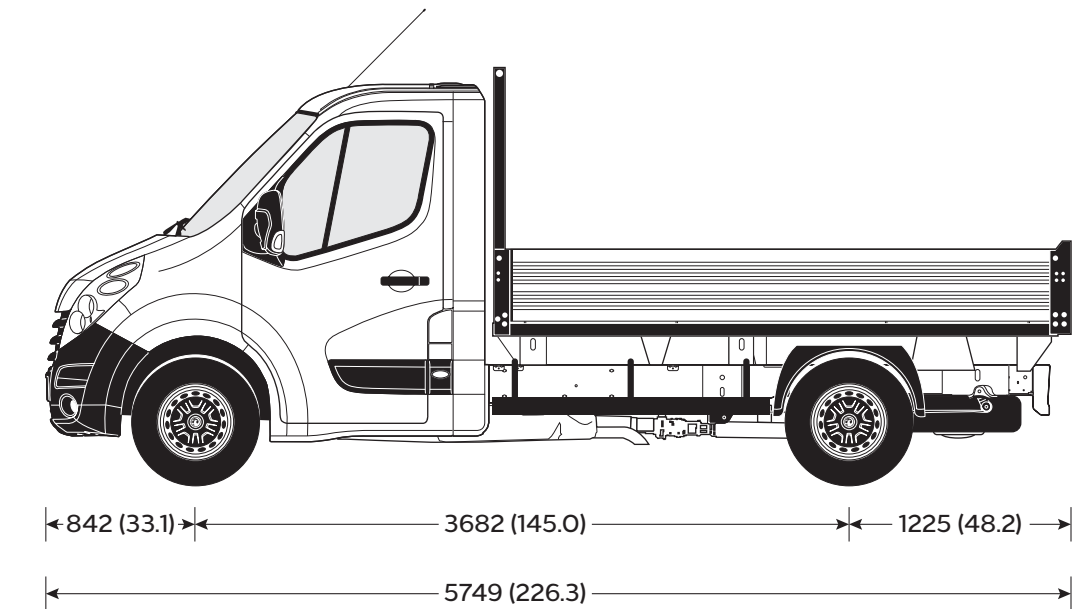
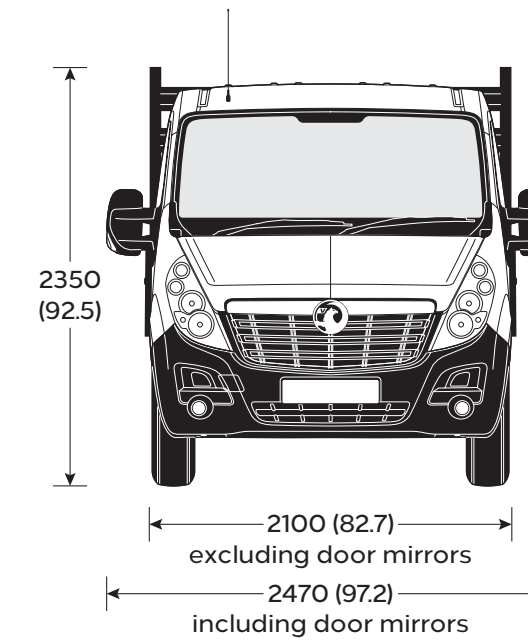
L3 RWD DRW

NEW MOVANO DROPSIDE SPECIFICATIONS

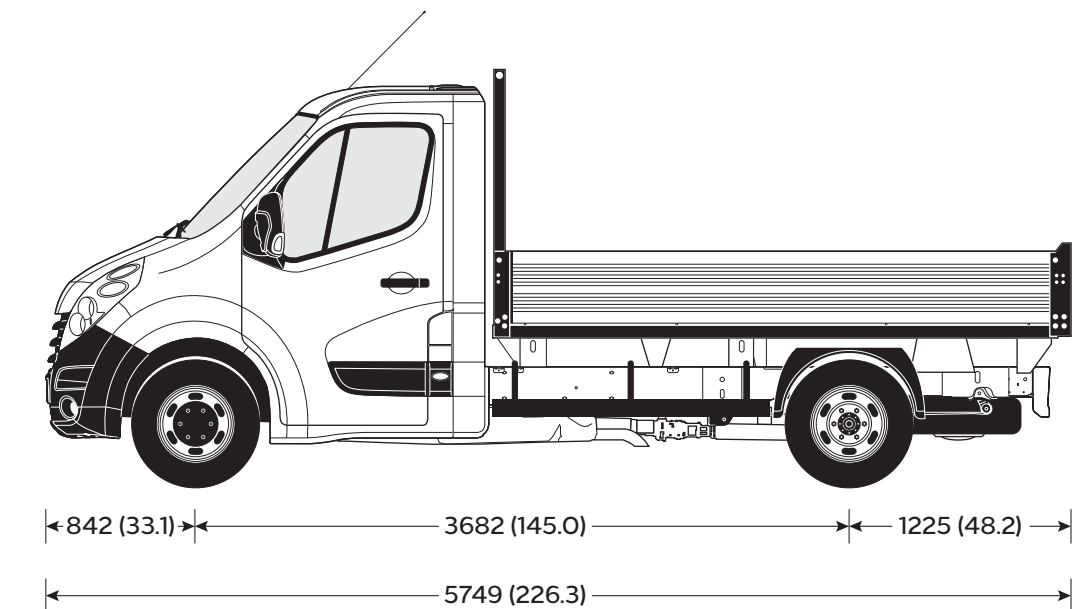
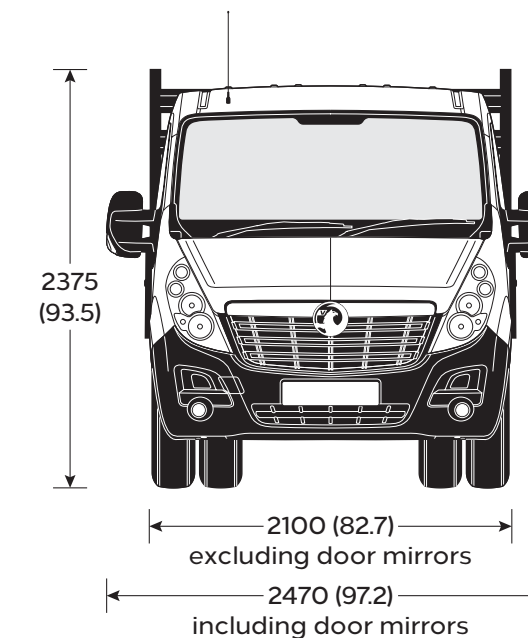
Loadspace Dimensions	L2 FWD	L2 RWD	L2 RWD DRW
Maximum length	3170 (124.8)	3170 (124.8)	3170 (124.8)
Maximum width	2040 (80.3)	2040 (80.3)	2040 (80.3)
Body side height	400 (15.7)	400 (15.7)	400 (15.7)
Loading height (unladen)	1026 (40.4)	1026 (40.4)	1026 (40.4)
Load area sq.m (sq.ft.)	6.5 (70.0)	6.5 (70.0)	6.5 (70.0)



L2 FWD



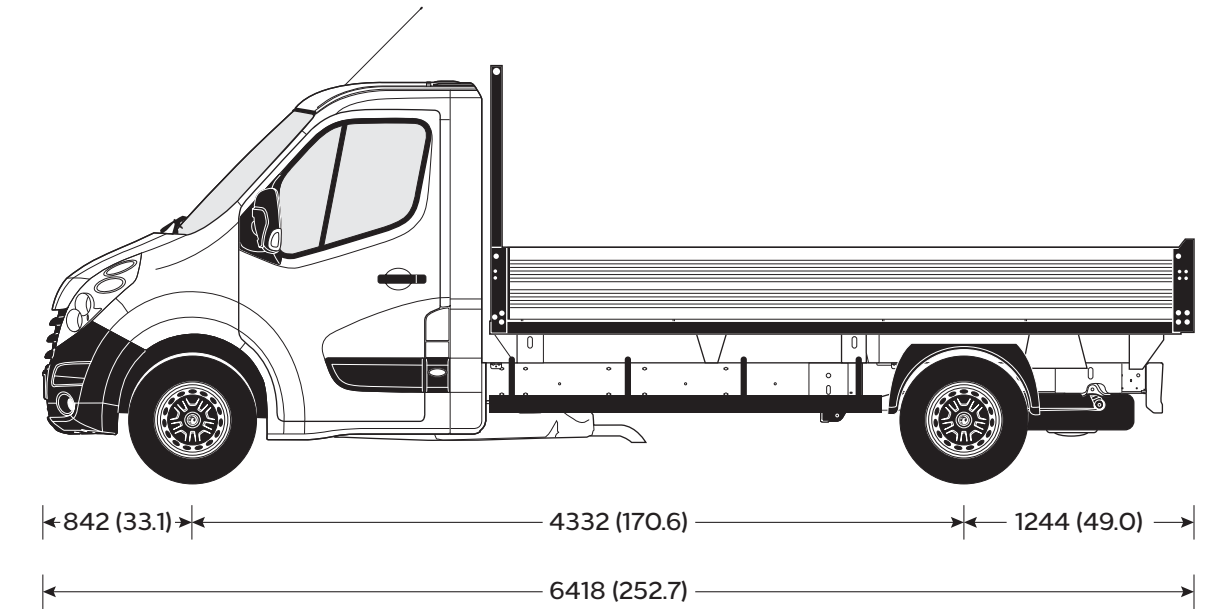
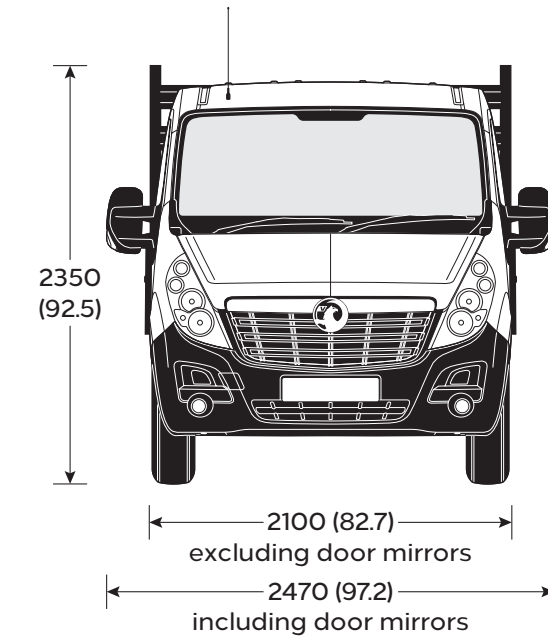
L2 RWD



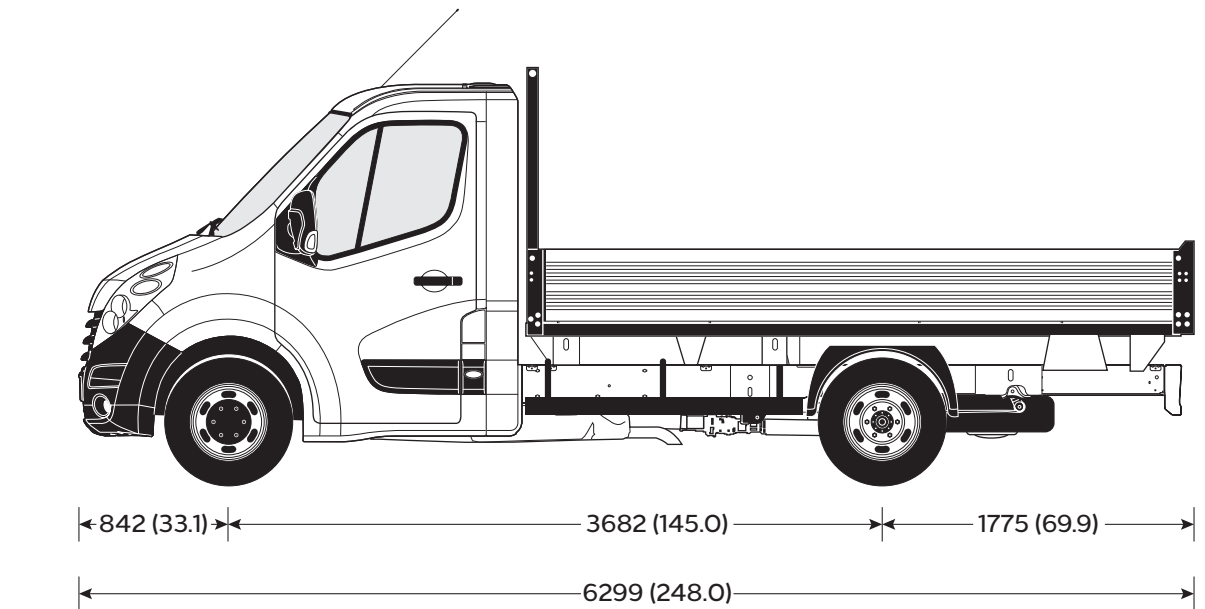
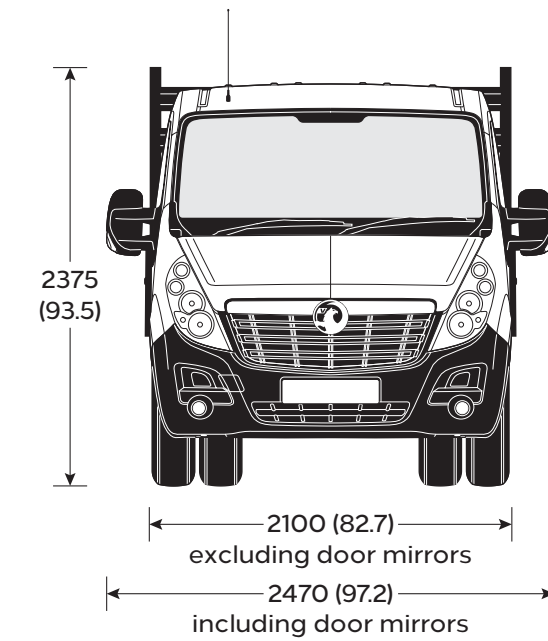
L2 RWD DRW

NEW MOVANO DROPSIDE SPECIFICATIONS

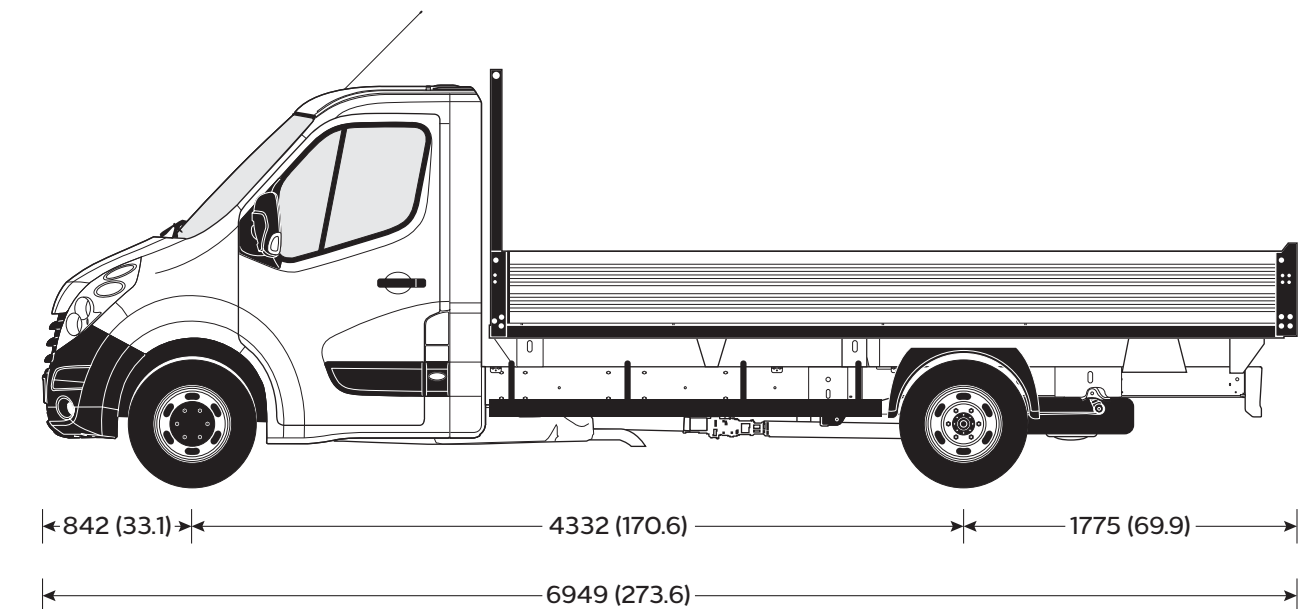
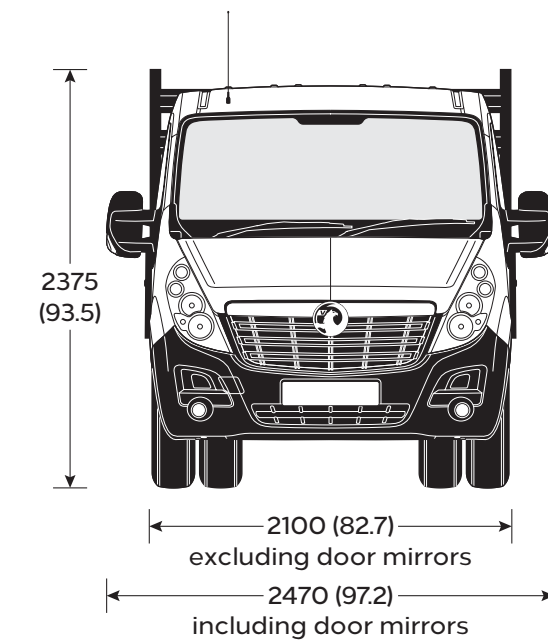
Loadspace Dimensions	L3 FWD	L3 RWD DRW	L4 RWD DRW
Maximum length	3900 (153.5)	3700 (145.7)	4470 (176.0)
Maximum width	2040 (80.3)	2040 (80.3)	2040 (80.3)
Body side height	400 (15.7)	400 (15.7)	400 (15.7)
Loading height (unladen)	1026 (40.4)	1026 (40.4)	1026 (40.4)
Load area sq.m (sq.ft.)	7.8 (83.9)	7.6 (81.8)	8.9 (95.8)



L3 FWD



L3 RWD DRW

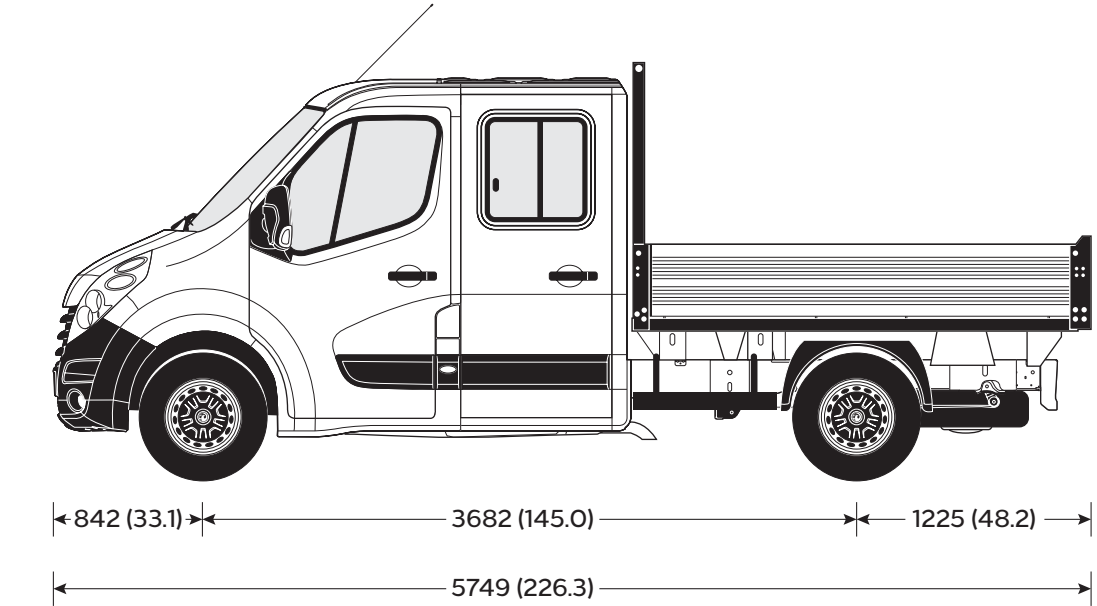
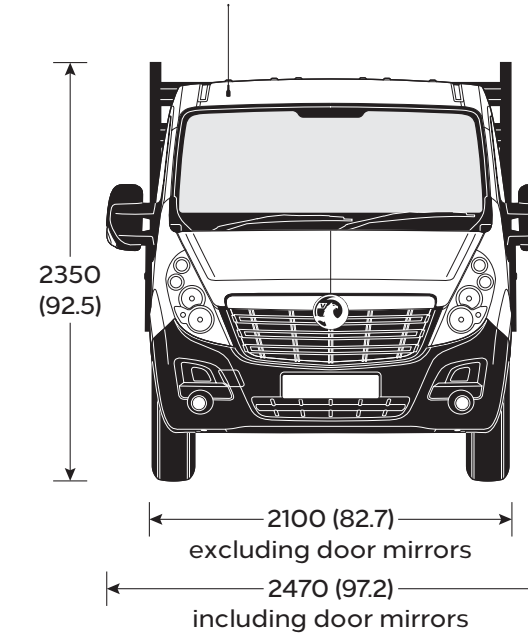


L4 RWD DRW

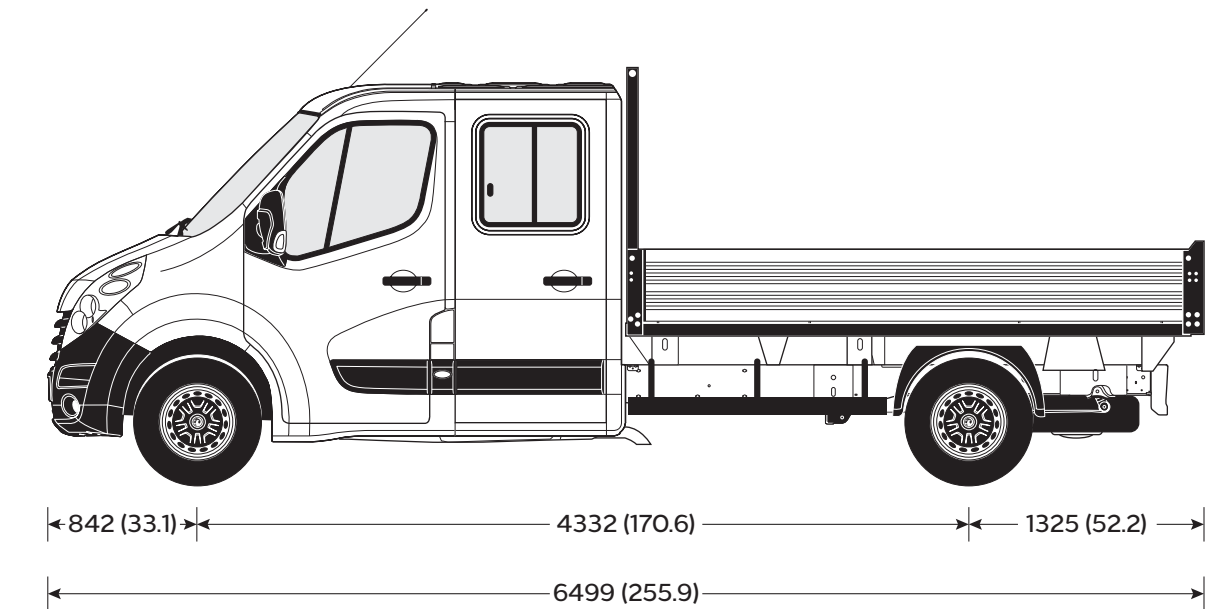
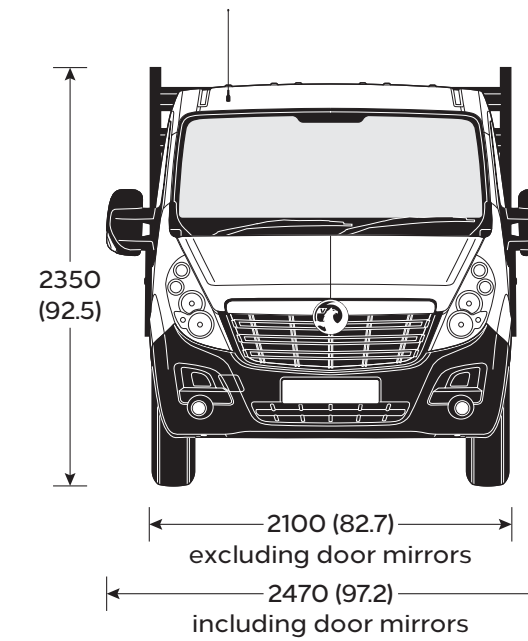
All measurements are in mm (inches) unless stated otherwise. Heights shown unladen.

NEW MOVANO DROPSIDE CREW CAB SPECIFICATIONS

Loadspace Dimensions	L2 FWD	L3 FWD
Maximum length	2501 (98.5)	3170 (124.8)
Maximum width	2040 (80.3)	2040 (80.3)
Body side height	400 (15.7)	400 (15.7)
Loading height (unladen)	1026 (40.4)	1026 (40.4)
Load area sq.m (sq.ft.)	4.9 (52.7)	6.5 (70.0)



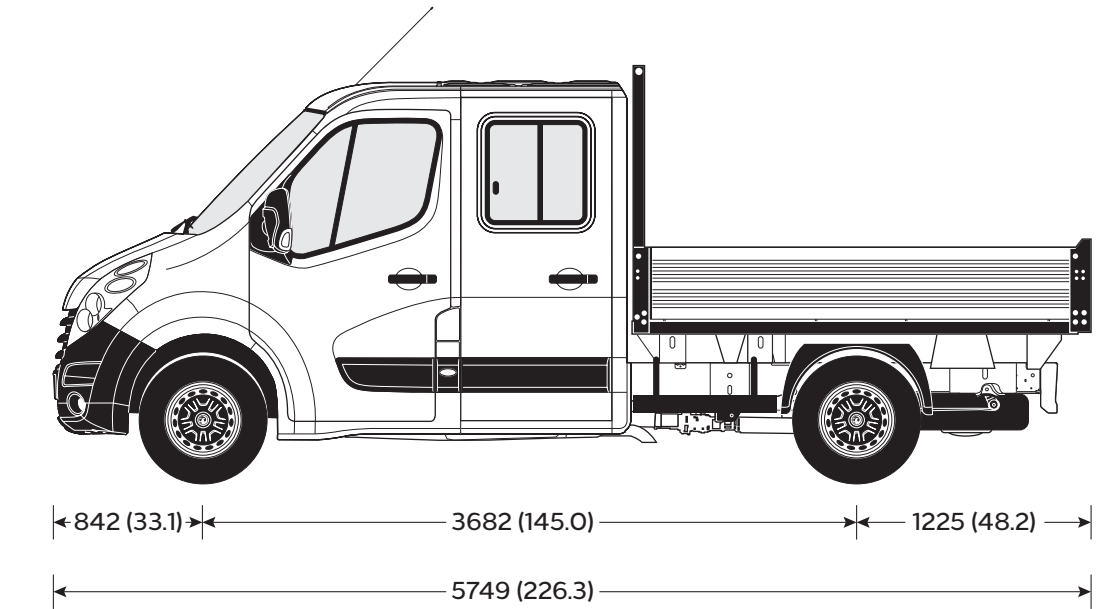
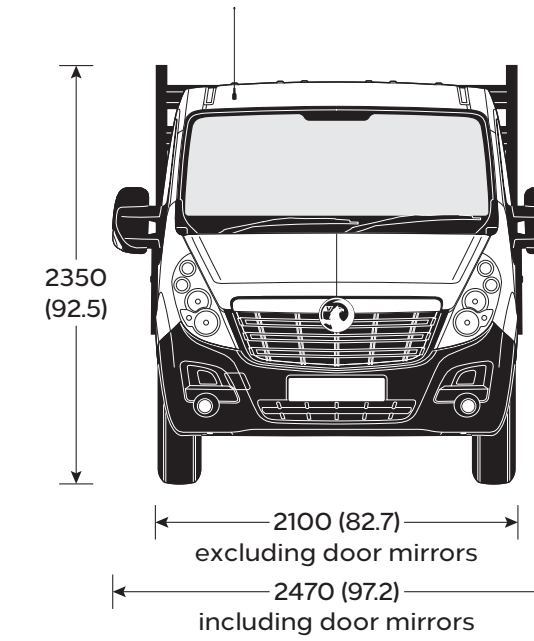
L2 FWD



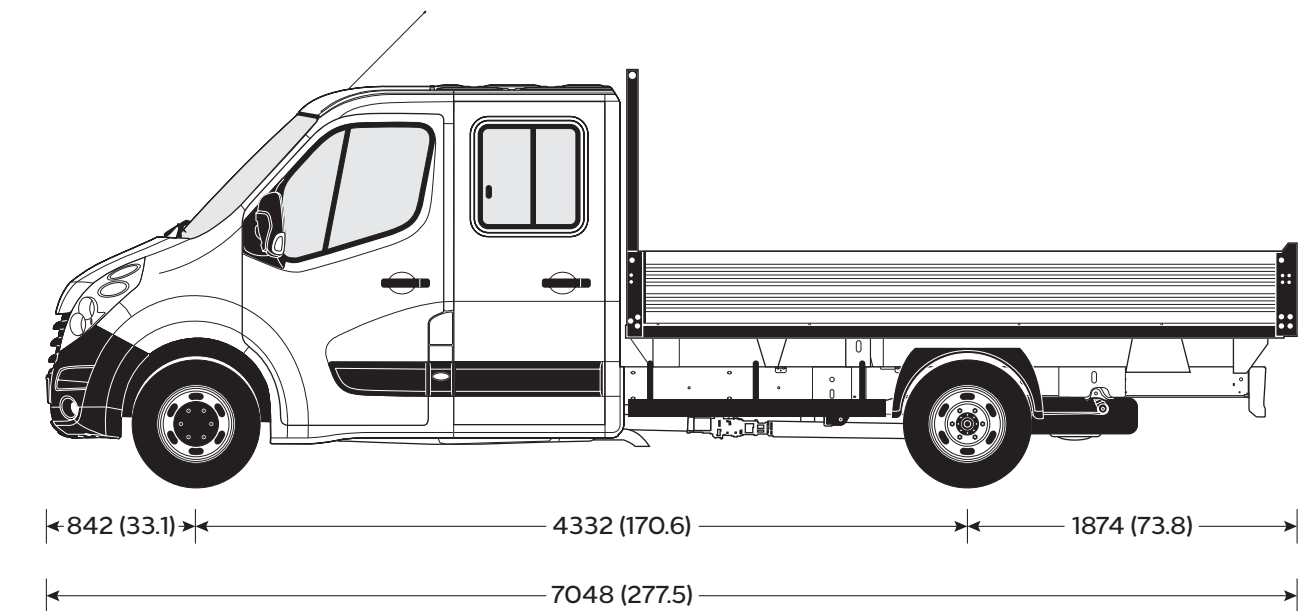
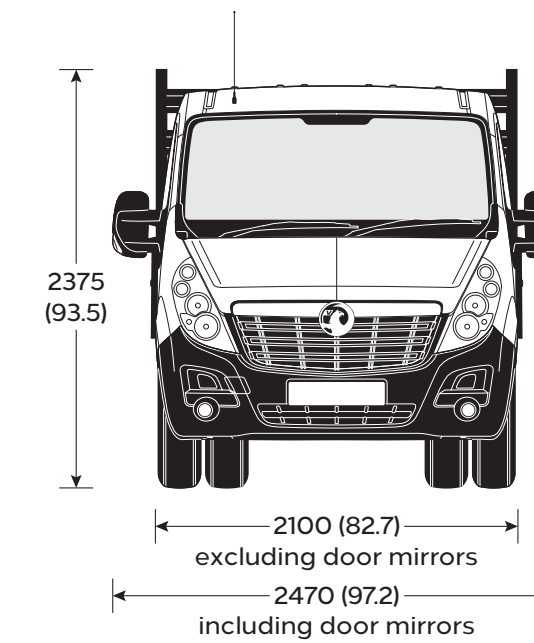
L3 FWD

NEW MOVANO DROPSIDE CREW CAB SPECIFICATIONS

Loadspace Dimensions	L2 RWD	L4 RWD DRW
Maximum length	2501 (98.5)	3702 (145.7)
Maximum width	2040 (80.3)	2040 (80.3)
Body side height	400 (15.7)	400 (15.7)
Loading height (unladen)	1026 (40.4)	1026 (40.4)
Load area sq.m (sq.ft.)	4.9 (52.7)	7.6 (81.8)



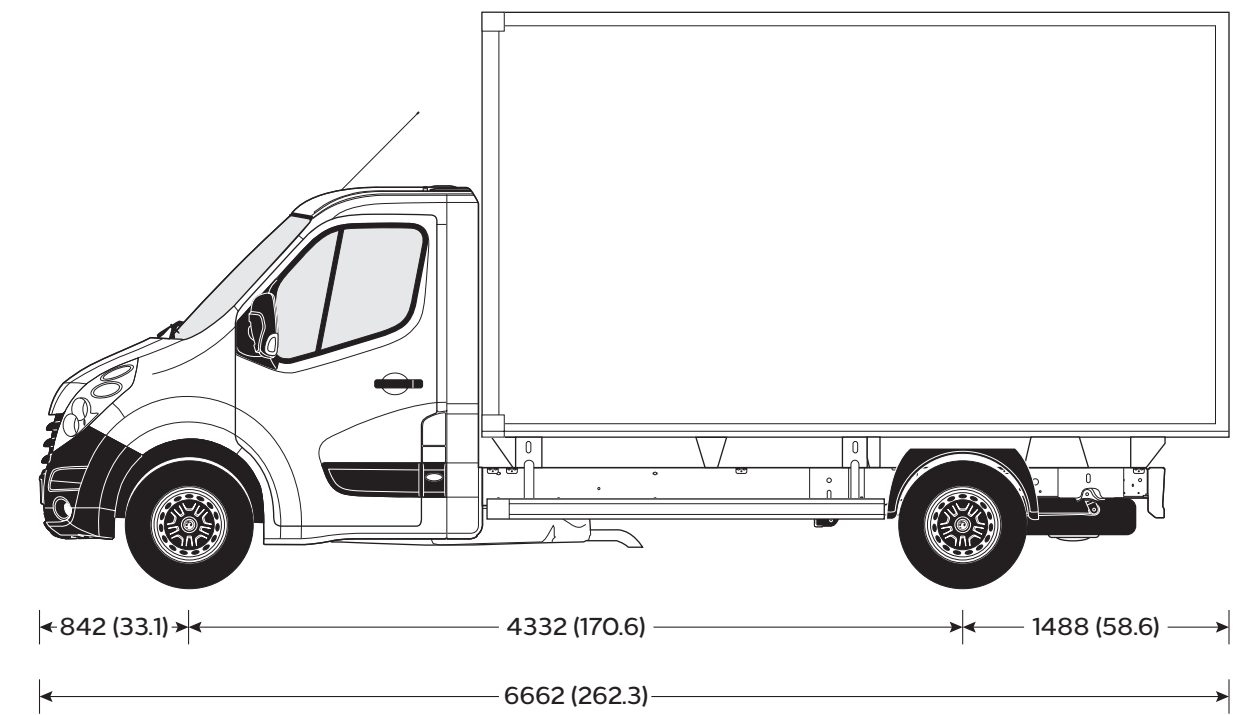
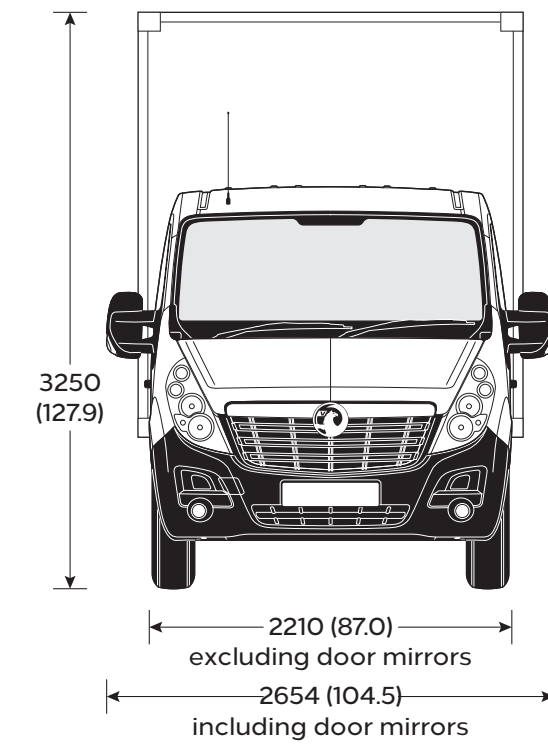
L2 RWD



L4 RWD DRW

NEW MOVANO BOX VAN SPECIFICATIONS

Loadspace Dimensions	L3 20cu.m FWD
Maximum internal length	4100 (161.4)
Maximum internal width	2150 (84.6)
Maximum internal height	2200 (86.6)
Loading height (unladen)	1050 (41.3)
Loadspace Volumes cu.m (cu.ft.)	
VDA method	19.4 (685.1)



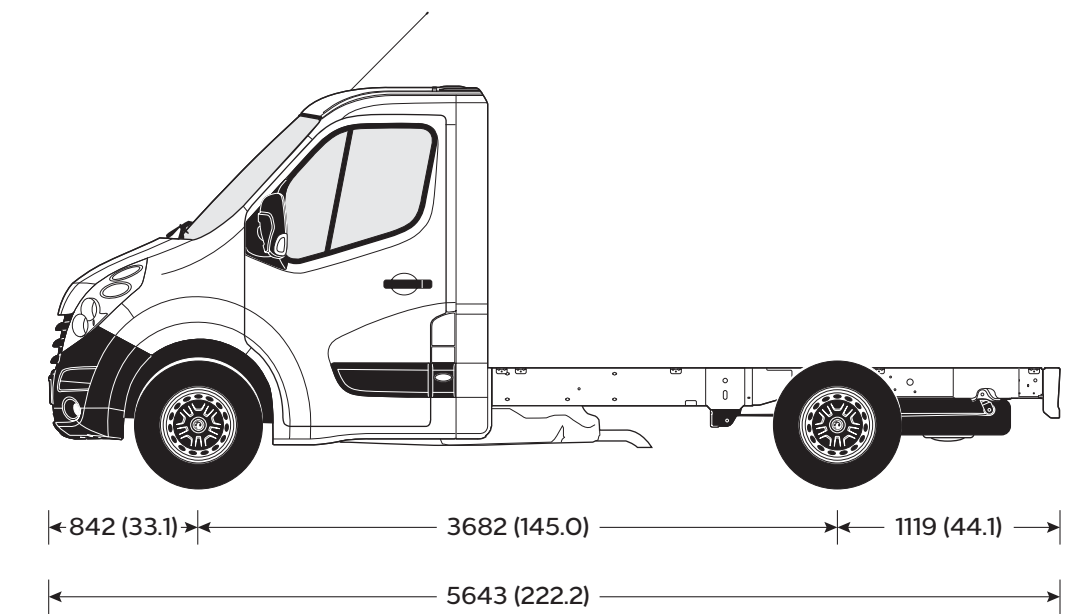
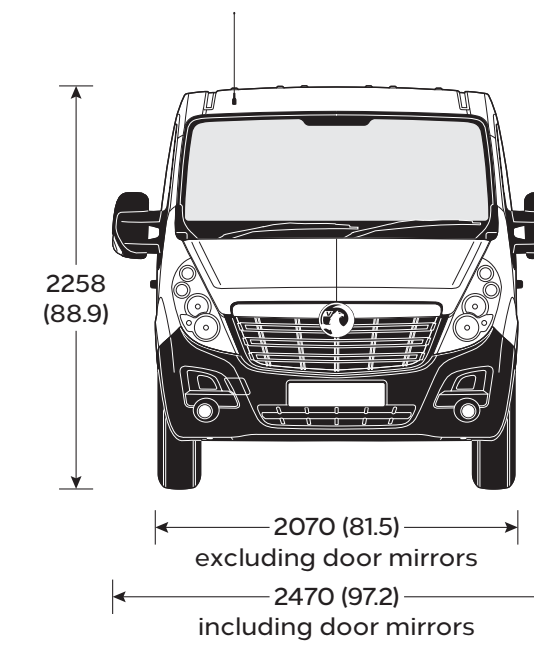
L3 FWD (20cu.m)

NEW MOVANO CHASSIS CAB SPECIFICATIONS

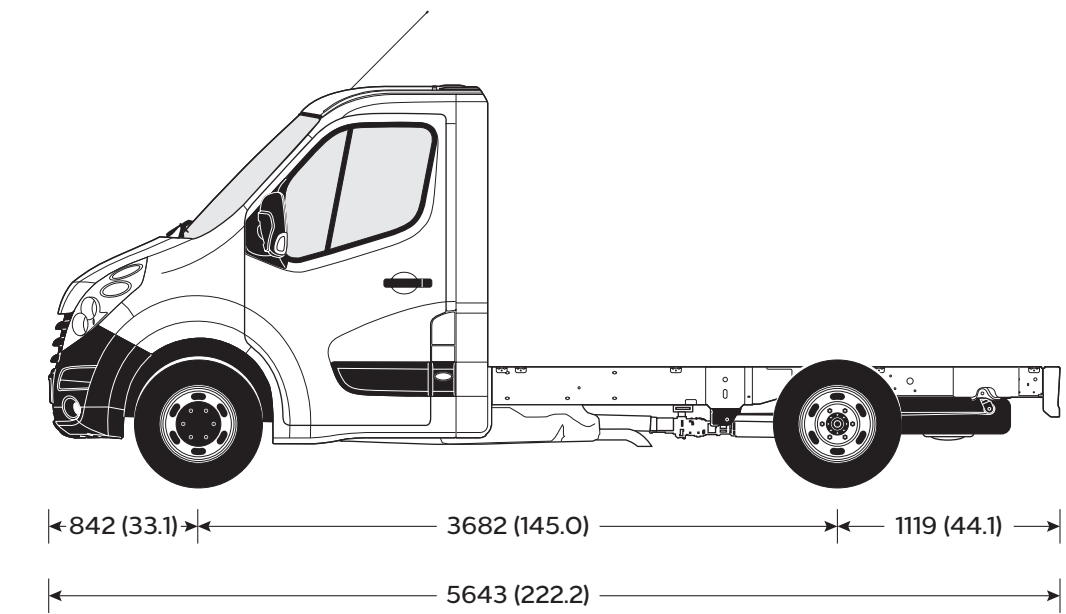
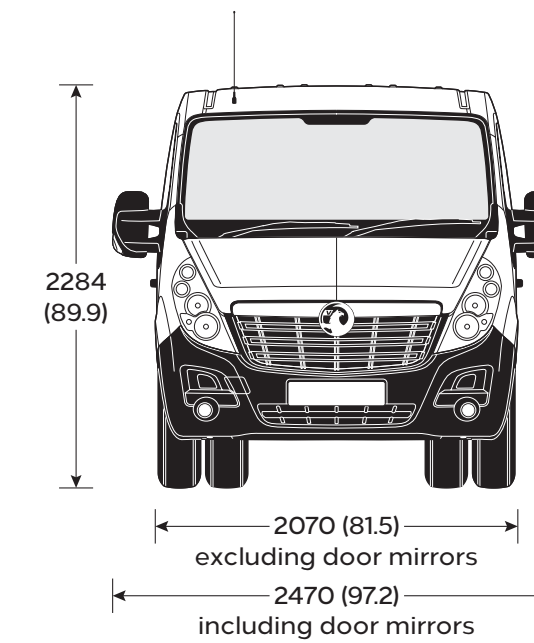
New Movano chassis cab models feature rugged box section chassis rails, featuring wide top sections with built-in mounting points. The bolted rear under-run bar on 4.5T variants provides additional in-built safety, as well as ample margins for additional bodywork while retaining outstanding payloads.

Plated Weights and Towing Data kg

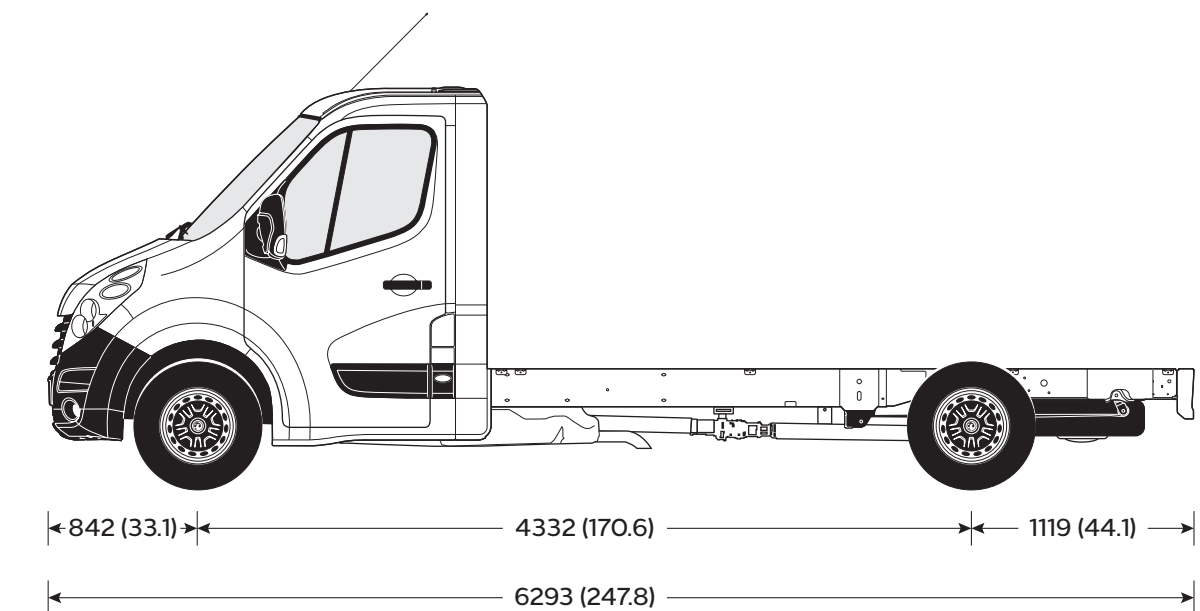
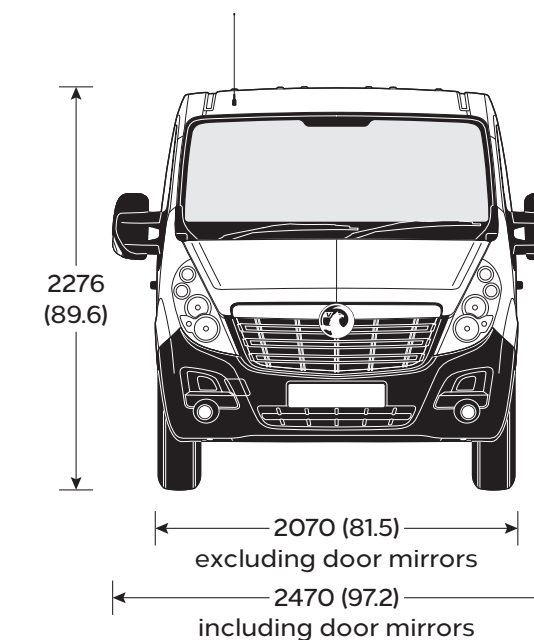
Model		Gross Vehicle Weights (GVW)	Plated weights		Towing weights		Plated Gross Combination Weights (GCW)
			Front axle	Rear axle	Braked	Un-braked	
L2 H1/L3 H1 Chassis	F3500	3500	1850	2100	2500	750	6000
	R3500	3500	1850	2300	2500	750	6000
	R3500 DRW	3500	1850	2800	3500	750	7000
	R4500 DRW	4500	1850	3200	3000	750	7500



L2 FWD



L2 RWD/L2 RWD DRW



L3 RWD

All conversions must follow 'Vauxhall Converter Requirements' including recommended dimensional data, detailed within Part 1, available at: www.converters-and-groupe-psa.com. The weight of any fitted conversion body will have to be deducted from these figures to establish actual payload and is subject to correct weight distribution. Variations from the recommended dimensions or weights may affect the vehicle's overall centre of gravity and stability. From 29 April 2013 conversion of N1 vehicles was affected by changes to type approval – for further information refer to the VCA website (N2 vehicles were affected from 29 October 2014). For further information please contact conversions@vauxhall.co.uk

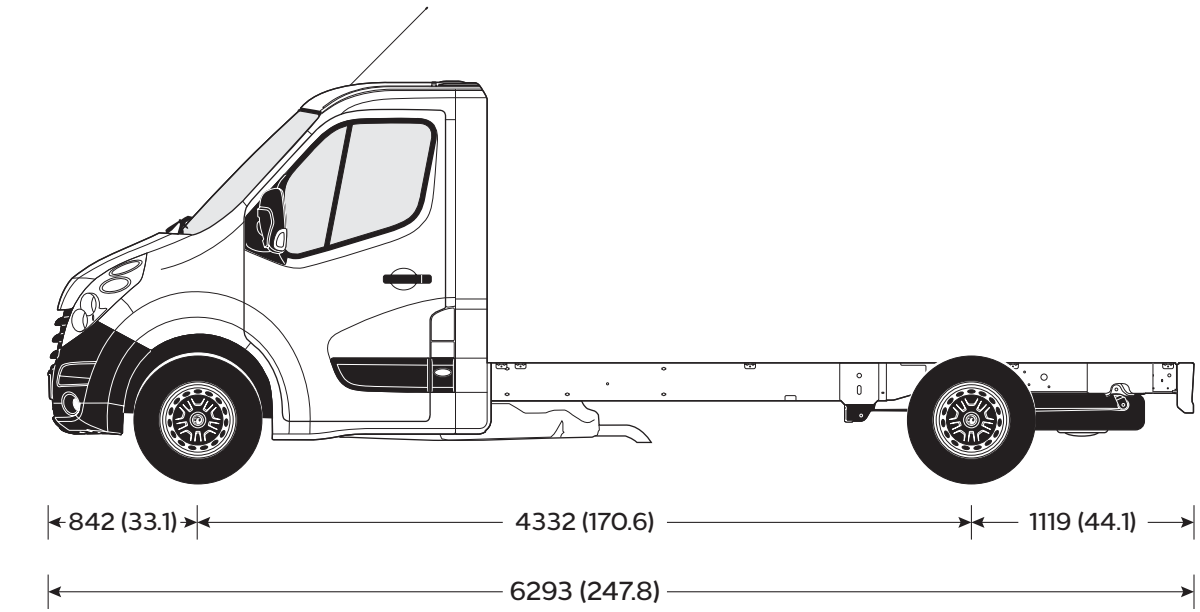
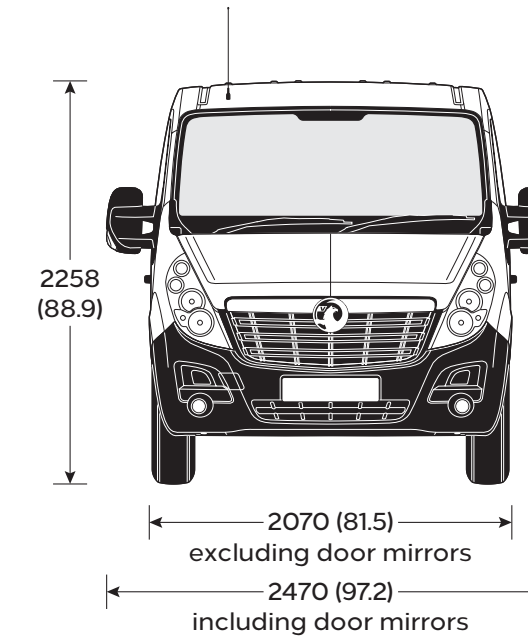
Gross plated weights (including axle weights) quoted on the vehicle plate are to UK plated weight specification and must never be exceeded. For further information please see Glossary of Terms.

All measurements are in mm (inches) unless stated otherwise. Heights shown unladen.

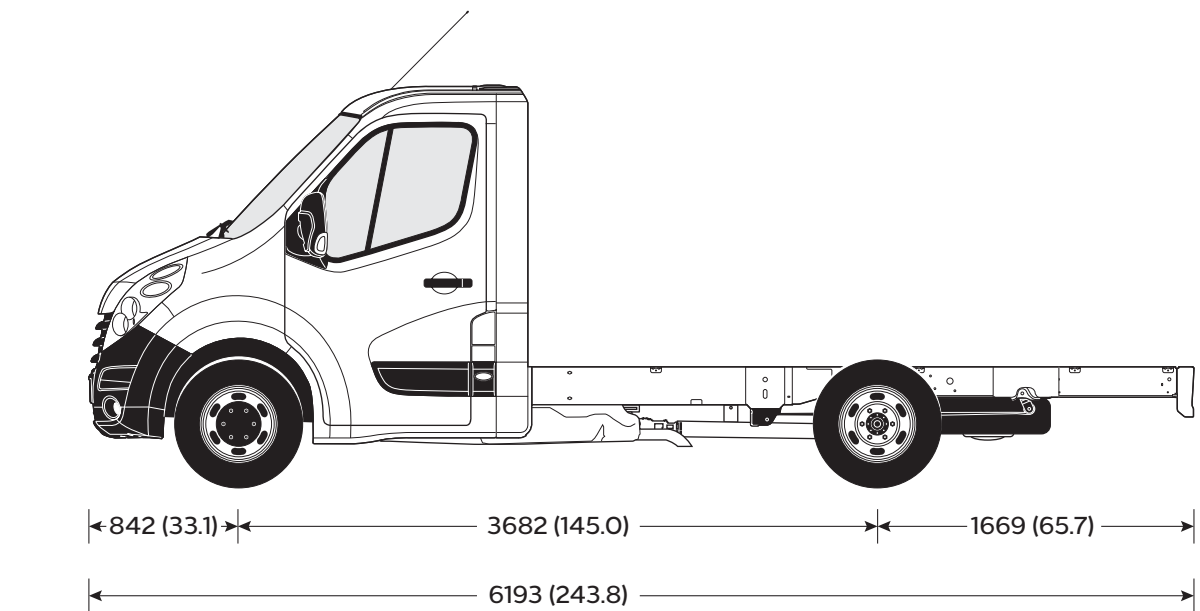
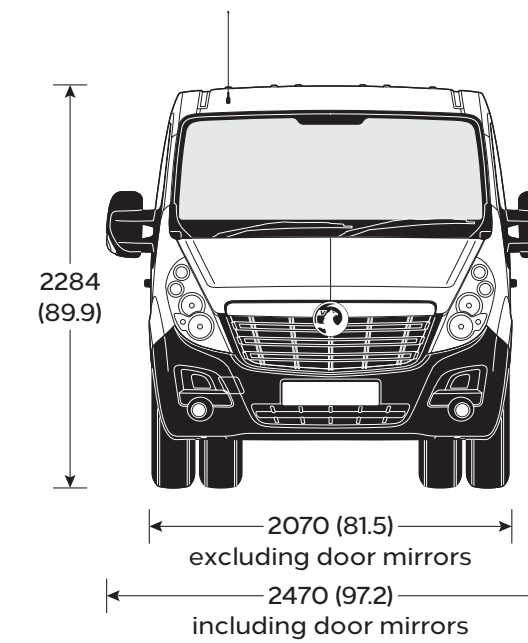
NEW MOVANO CHASSIS CAB SPECIFICATIONS

Plated Weights and Towing Data kg

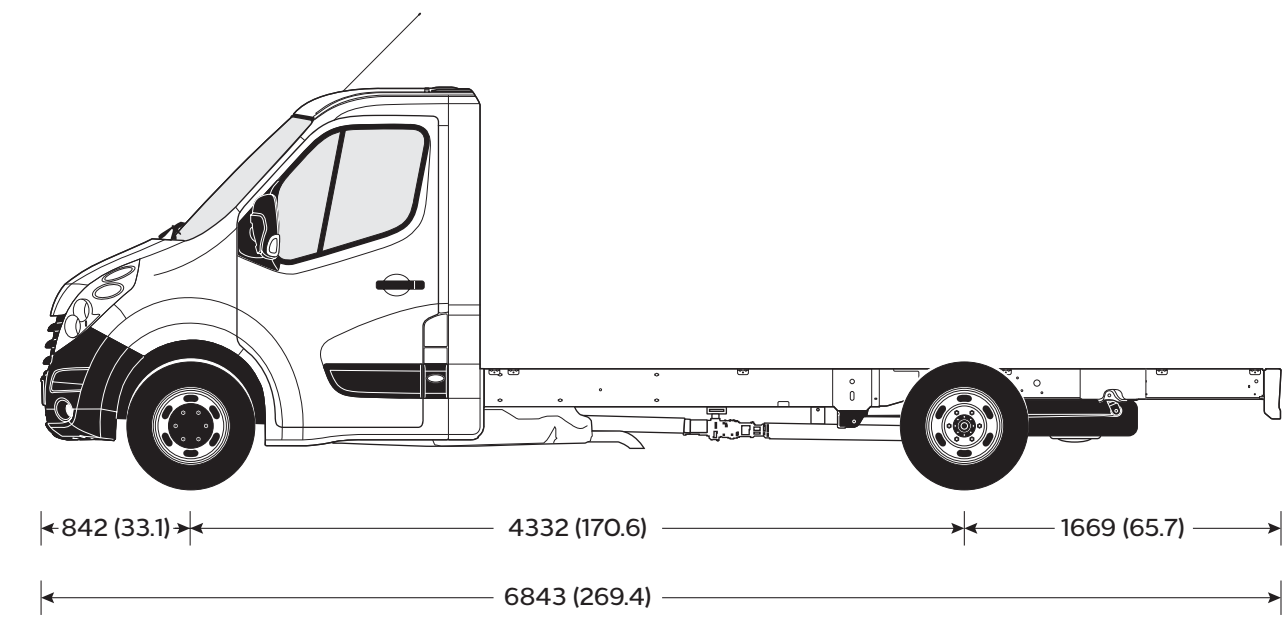
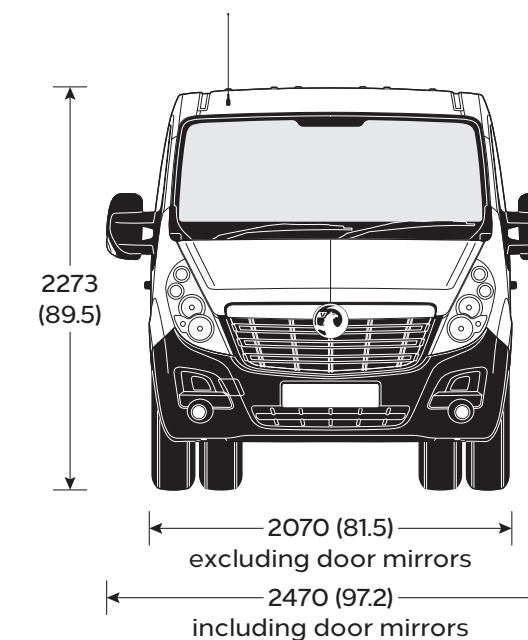
Model		Gross Vehicle Weights (GVW)	Plated weights		Towing weights		Plated Gross Combination Weights (GCW)
			Front axle	Rear axle	Braked	Un-braked	
L3 H1/L4 H1 Chassis	F3500	3500	1850	2100	2500	750	6000
	R3500	3500	1850	2300	2500	750	6000
	R3500 DRW	3500	1850	2800	3500	750	7000
	R4500 DRW	4500	1850	3200	3000	750	7500



L3 FWD



L3 RWD DRW



L4 RWD DRW

All conversions must follow 'Vauxhall Converter Requirements' including recommended dimensional data, detailed within Part 1, available at: www.converters-and-groupe-psa.com. The weight of any fitted conversion body will have to be deducted from these figures to establish actual payload and is subject to correct weight distribution. Variations from the recommended dimensions or weights may affect the vehicle's overall centre of gravity and stability. From 29 April 2013 conversion of N1 vehicles was affected by changes to type approval – for further information refer to the VCA website (N2 vehicles were affected from 29 October 2014). For further information please contact conversions@vauxhall.co.uk

Gross plated weights (including axle weights) quoted on the vehicle plate are to UK plated weight specification and must never be exceeded. For further information please see Glossary of Terms.

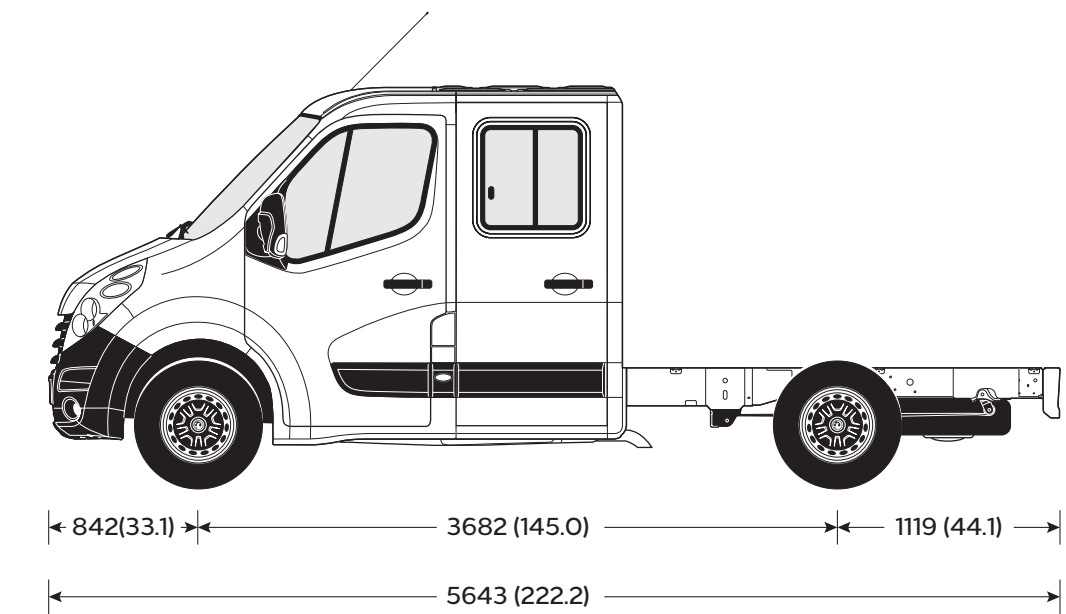
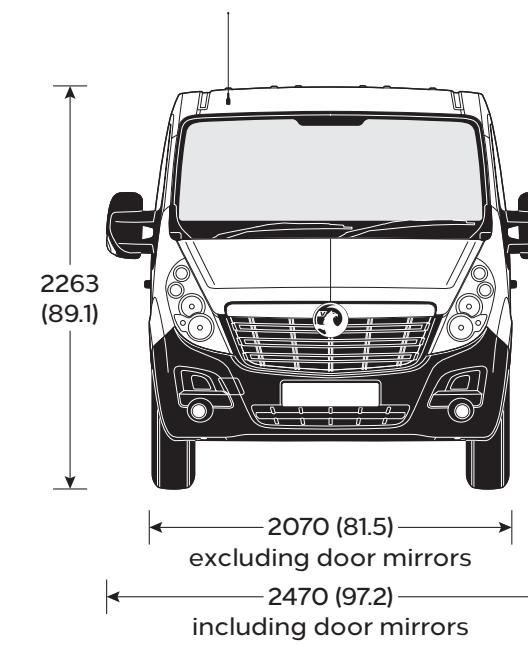
All measurements are in mm (inches) unless stated otherwise. Heights shown unladen.

NEW MOVANO CHASSIS CREW CAB SPECIFICATIONS

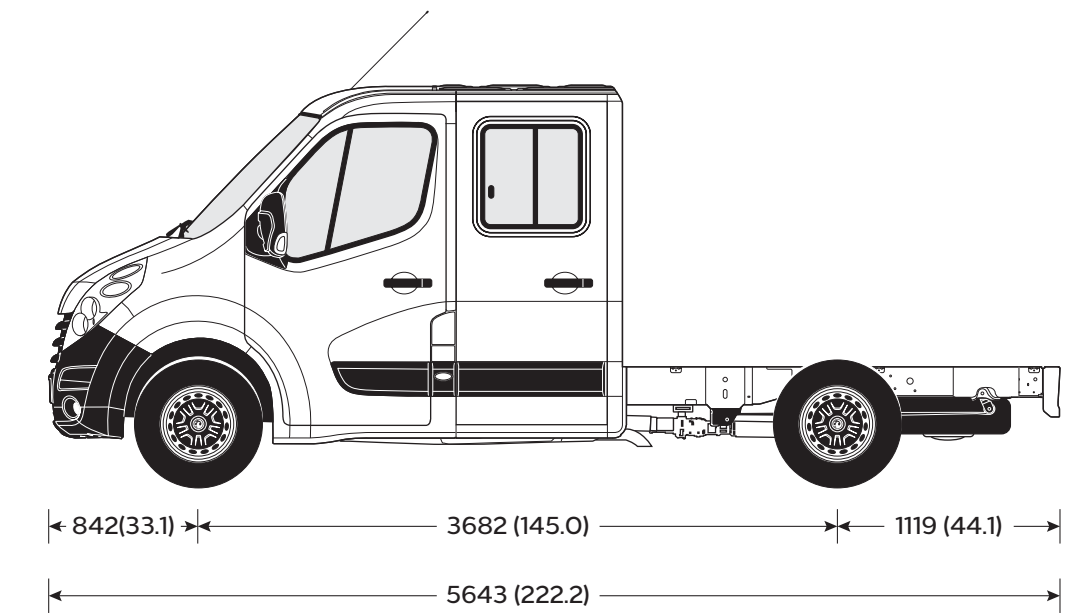
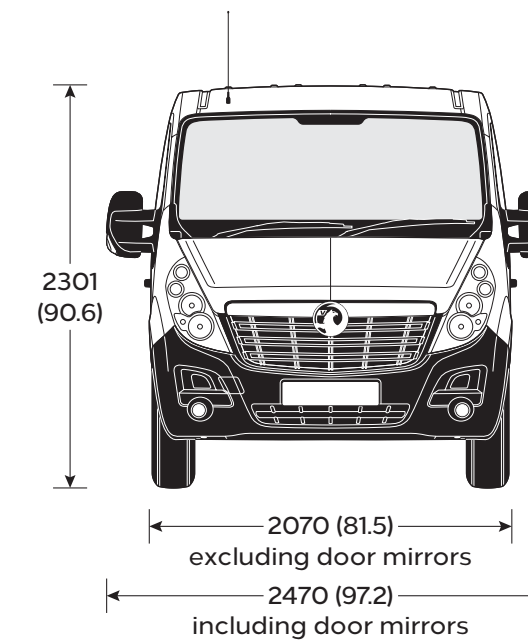
Crew cab models provide the same choice of body configurations and GVWs as our chassis cab variants but introduce an added dose of versatility by providing extra accommodation for four additional crew members.

Plated Weights and Towing Data kg

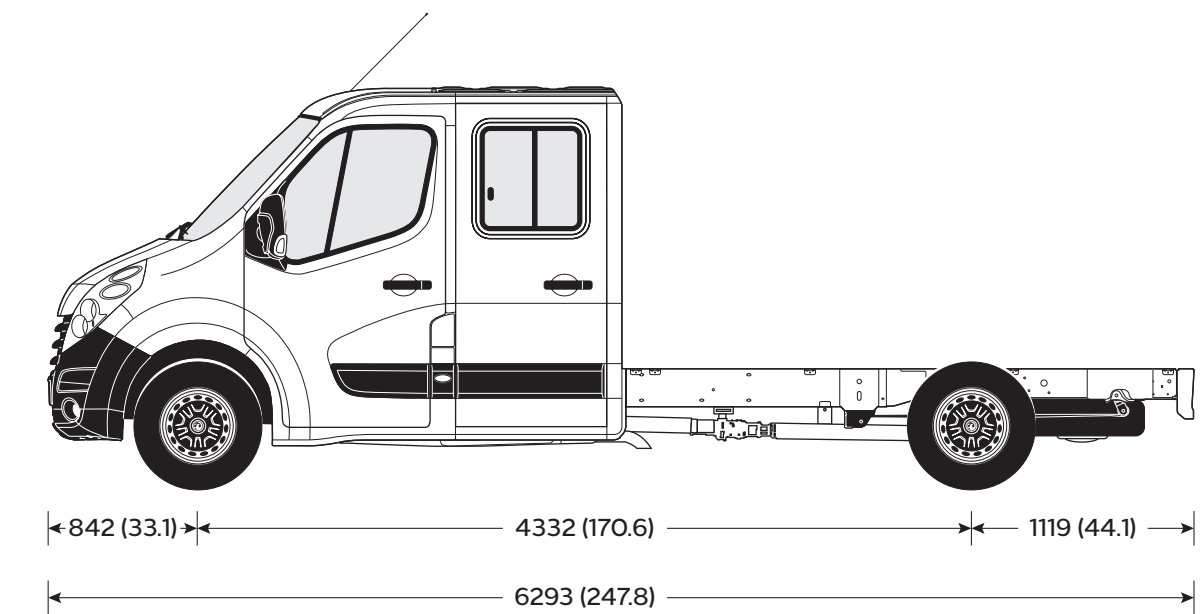
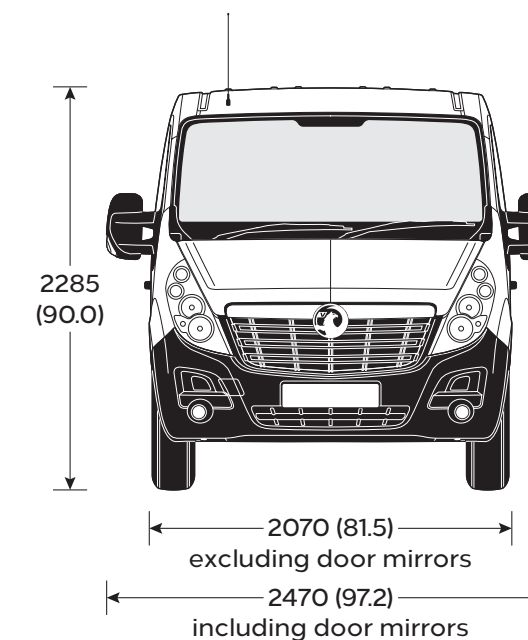
Model		Gross Vehicle Weights (GVW)	Plated weights		Towing weights		Plated Gross Combination Weights (GCW)
			Front axle	Rear axle	Braked	Un-braked	
L2 H1/L3 H1 Chassis Crew Cab	F3500	3500	1850	2100	2500	750	6000
	R3500	3500	1850	2300	2500	750	6000
	R3500 DRW	3500	1850	2800	3500	750	7000
	R4500 DRW	4500	1850	3200	3000	750	7500



L2 FWD



L2 RWD



L3 RWD

All conversions must follow 'Vauxhall Converter Requirements' including recommended dimensional data, detailed within Part 1, available at: www.converters-and-groupe-psa.com. The weight of any fitted conversion body will have to be deducted from these figures to establish actual payload and is subject to correct weight distribution. Variations from the recommended dimensions or weights may affect the vehicle's overall centre of gravity and stability. From 29 April 2013 conversion of N1 vehicles was affected by changes to type approval – for further information refer to the VCA website (N2 vehicles were affected from 29 October 2014). For further information please contact conversions@vauxhall.co.uk

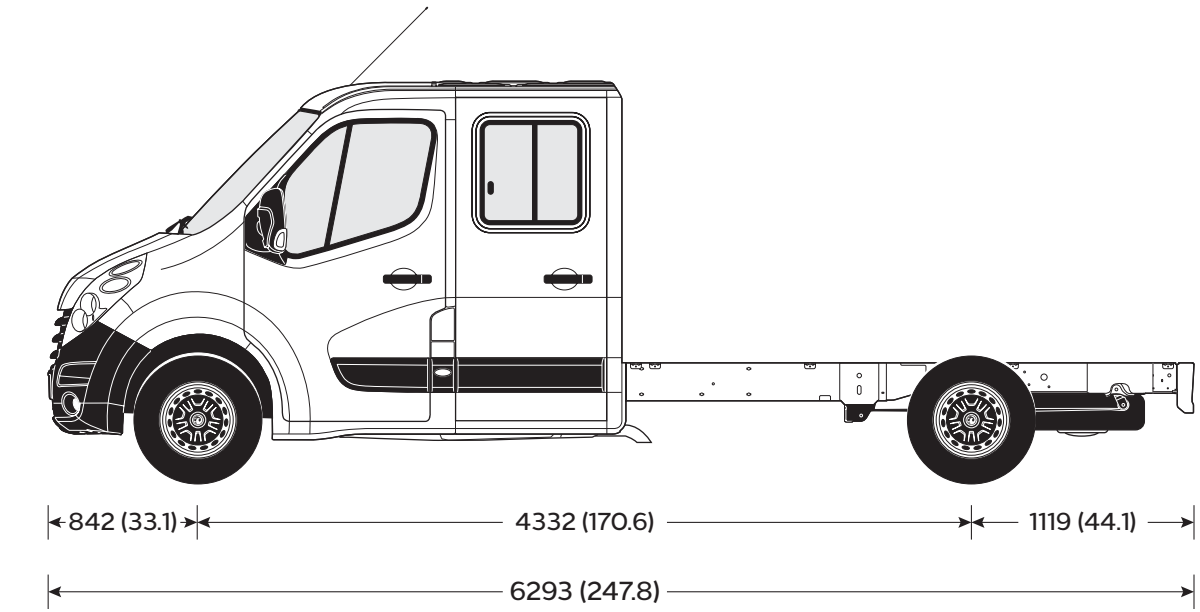
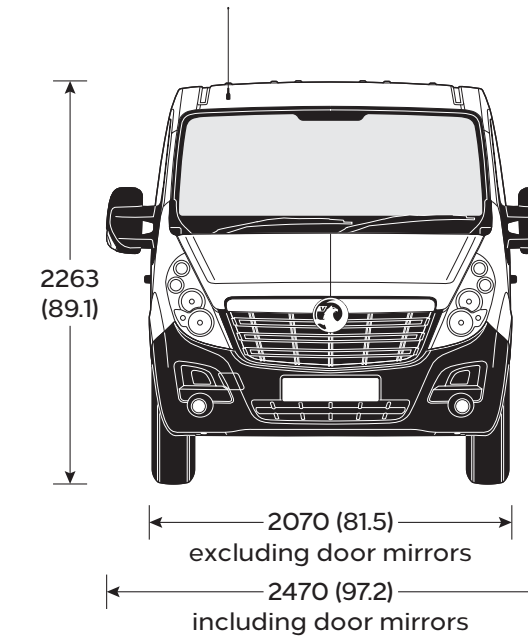
Gross plated weights (including axle weights) quoted on the vehicle plate are to UK plated weight specification and must never be exceeded. For further information please see Glossary of Terms.

All measurements are in mm (inches) unless stated otherwise. Heights shown unladen.

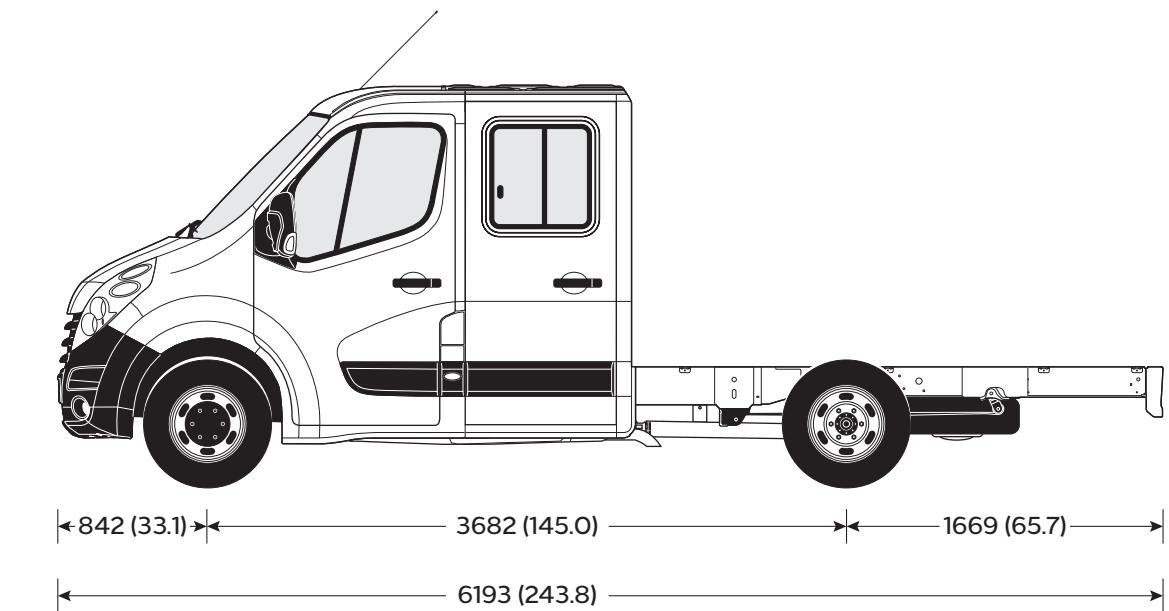
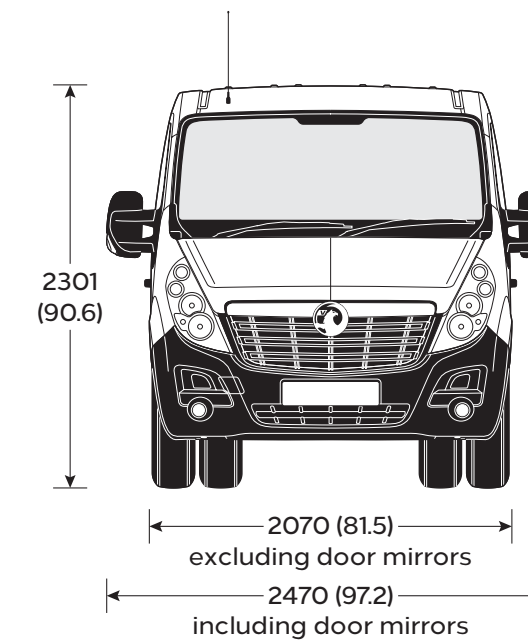
NEW MOVANO CHASSIS CREW CAB SPECIFICATIONS

Plated Weights and Towing Data kg

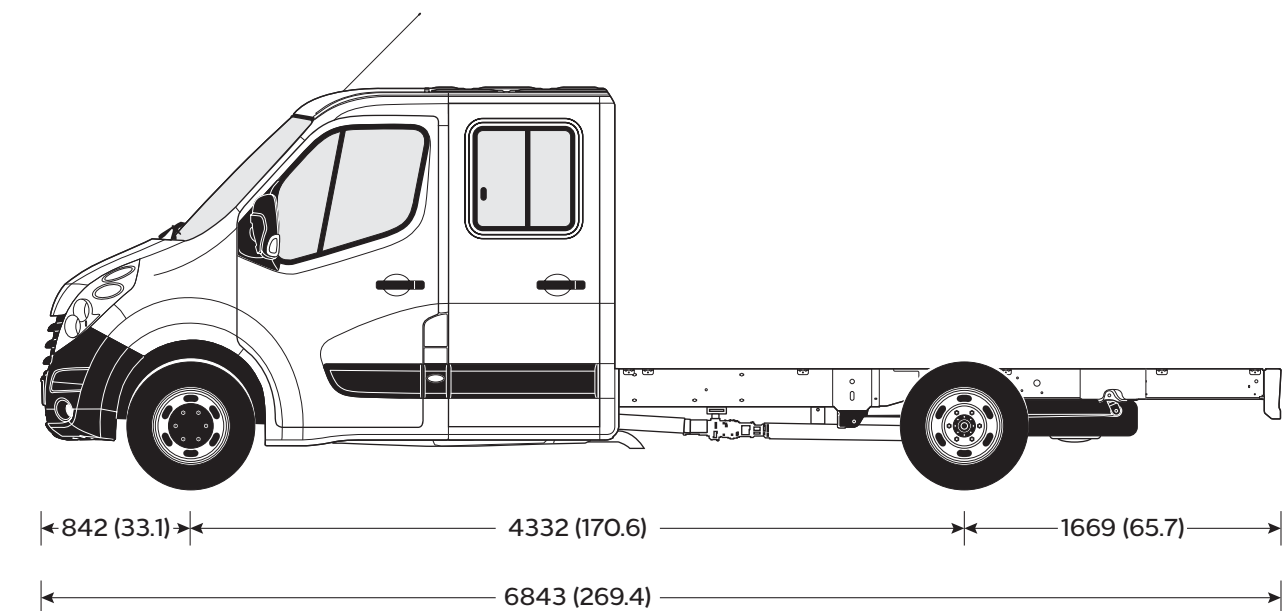
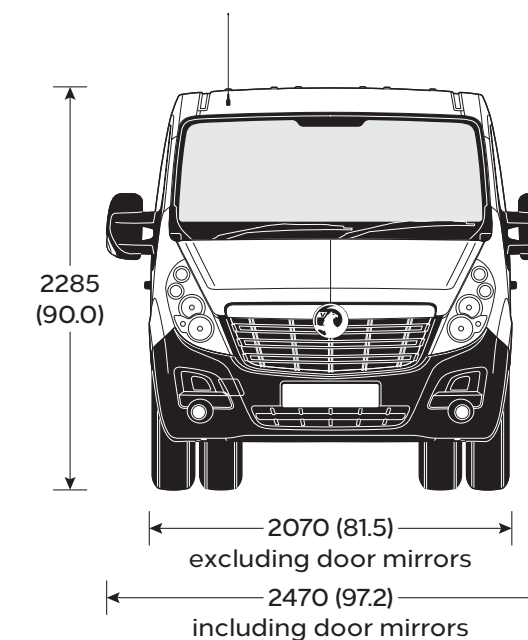
Model		Gross Vehicle Weights (GVW)	Plated weights		Towing weights		Plated Gross Combination Weights (GCW)
			Front axle	Rear axle	Braked	Un-braked	
L3 H1/L4 H1 Chassis Crew Cab	F3500	3500	1850	2100	2500	750	6000
	R3500	3500	1850	2300	2500	750	6000
	R3500 DRW	3500	1850	2800	3500	750	7000
	R4500 DRW	4500	1850	3200	3000	750	7500



L3 FWD



L3 RWD DRW



L4 RWD DRW

All conversions must follow 'Vauxhall Converter Requirements' including recommended dimensional data, detailed within Part 1, available at: www.converters-and-groupe-psa.com. The weight of any fitted conversion body will have to be deducted from these figures to establish actual payload and is subject to correct weight distribution. Variations from the recommended dimensions or weights may affect the vehicle's overall centre of gravity and stability. From 29 April 2013 conversion of N1 vehicles was affected by changes to type approval – for further information refer to the VCA website (N2 vehicles were affected from 29 October 2014). For further information please contact conversions@vauxhall.co.uk

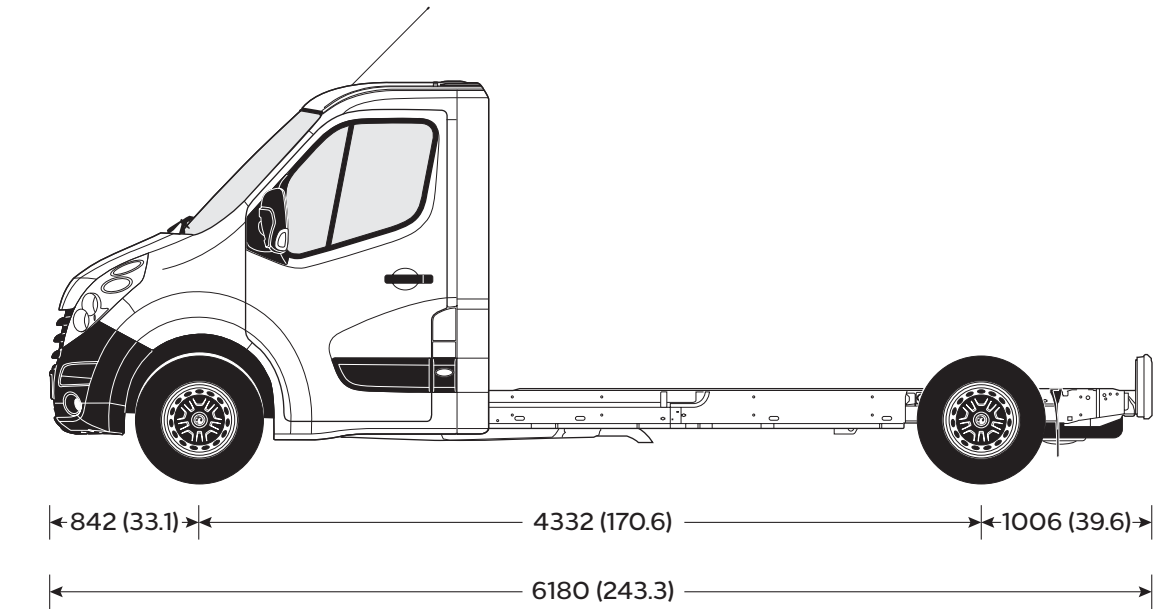
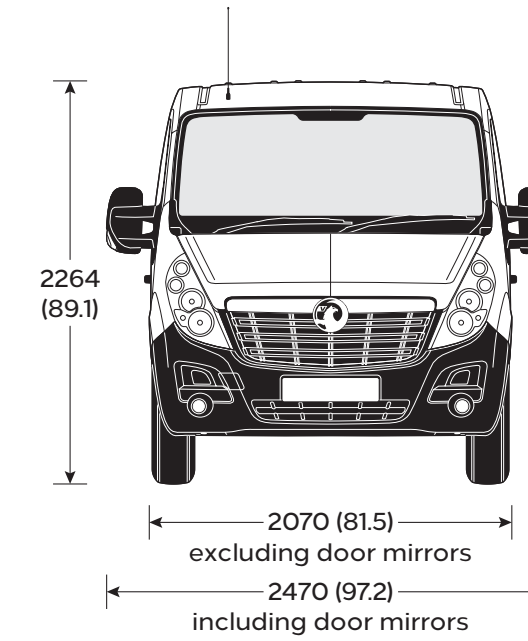
Gross plated weights (including axle weights) quoted on the vehicle plate are to UK plated weight specification and must never be exceeded. For further information please see Glossary of Terms.

All measurements are in mm (inches) unless stated otherwise. Heights shown unladen.

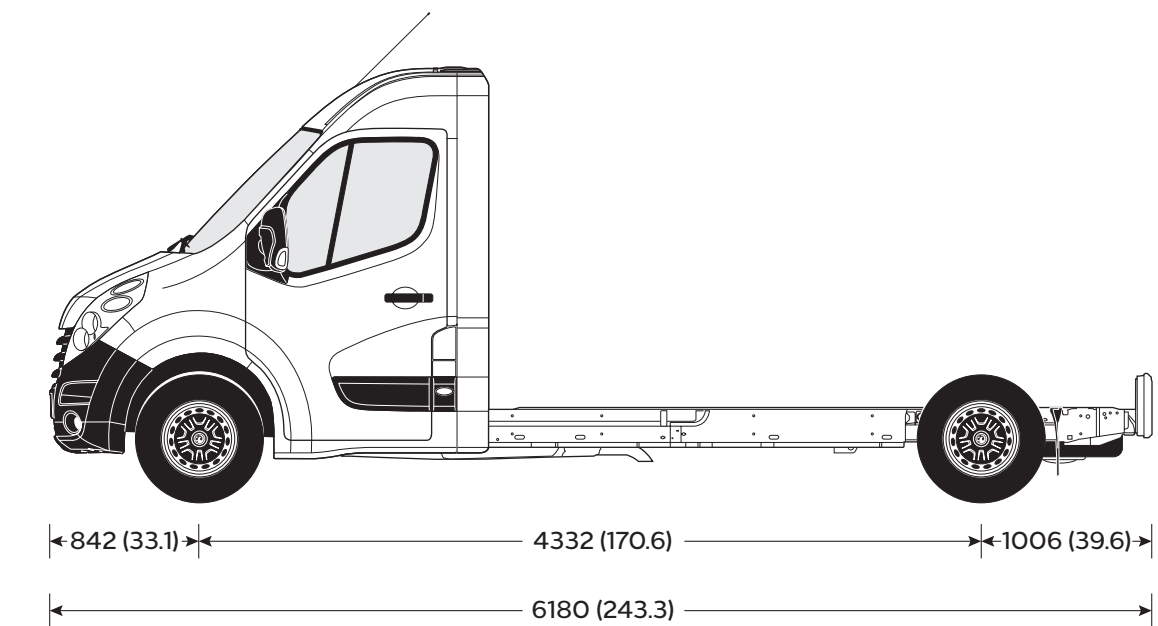
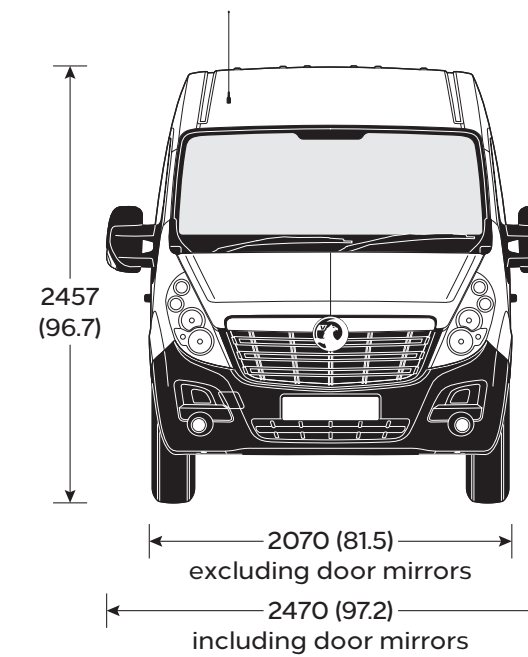
NEW MOVANO PLATFORM CAB SPECIFICATIONS

Plated Weights and Towing Data kg

Model	F3500	Gross Vehicle Weights (GVW)	Plated weights		Towing weights		Plated Gross Combination Weights (GCW)
			Front axle	Rear axle	Braked	Un-braked	
L3 H1/L3 H2 Platform Cab		3500	1850	2100	2500	750	6000



L3 H1 FWD



L3 H2 FWD

All conversions must follow 'Vauxhall Converter Requirements' including recommended dimensional data, detailed within Part 1, available at: www.converters-and-groupe-psa.com. The weight of any fitted conversion body will have to be deducted from these figures to establish actual payload and is subject to correct weight distribution. Variations from the recommended dimensions or weights may affect the vehicle's overall centre of gravity and stability. From 29 April 2013 conversion of N1 vehicles was affected by changes to type approval – for further information refer to the VCA website (N2 vehicles were affected from 29 October 2014). For further information please contact conversions@vauxhall.co.uk

Gross plated weights (including axle weights) quoted on the vehicle plate are to UK plated weight specification and must never be exceeded. For further information please see Glossary of Terms.

All measurements are in mm (inches) unless stated otherwise. Heights shown unladen.

GLOSSARY OF TERMS

Plated weight

The maximum weight to which a vehicle or an axle may be loaded, determined either by the design of the components or by legislation. All commercial vehicles must carry a manufacturer's 'plate' showing the vehicle and axle gross 'plated weights'. It is an offence to drive a vehicle in a condition where any of these weights are exceeded.

Minimum Mass

Minimum Mass ('Mass in running order' on Certificate of Conformity and 'Mass in Service' on V5C form) is defined according to European Type Approval and include all fluids, tools and 90% fuel load. It is minimum mass for this variant and does not consider local specification/trim or deletable options (specific to Movano). Weights are also subject to manufacturing tolerances (EU Legislation allows 5% tolerance).

Gross Vehicle Weight (GVW)

The total permissible weight of a vehicle including payload and passengers, as shown on the manufacturer's plate.

Gross Combination Weight (GCW)

The maximum permissible weight of a vehicle, including payload and passengers, combined with the total weight of any trailer it is towing. The maximum GCW weight limit is quoted on the vehicle plate and must not be exceeded.

Payload

The total permissible weight that can be carried without exceeding the vehicle's plated weight. Payload do not include driver but do take into consideration specification/trim level:

Weights are also subject to manufacturing tolerances (EU Legislation allows 5% tolerance). Payload does not consider any additional options that a customer may order.

Roof loads

Combo roof load should not exceed 100kg including the weight of the roof rack/carrier.

- Vivaro roof load should not exceed 170kg including the weight of the roof rack/carrier
- Movano roof load should not exceed 200kg (150kg on H1 models) including the weight of the roof rack/carrier. H3 are not permitted to carry roof loads

Maximum towing weight

The maximum weight of any trailer and its load which may be towed within the limit of the vehicle's plated Gross Combination Weight (GCW). It is based on the ability of the vehicle – at full GCW – to restart on a 12% gradient, which is approximately 1 in 8.3, at sea level. At altitudes above 1500 metres, the engine output may drop with a corresponding reduction in towing capability. It is the operator's responsibility to ensure that the trailer noseweight does not cause the rear axle plated weight of the towing vehicle to be exceeded.

Always fit Vauxhall towing attachments and accessories available from your Vauxhall Commercial Vehicle Retailer. They are designed specifically for Vauxhall models and carry a 12-month warranty.

Light Duty and Heavy Duty cycles

For a Light Duty cycle (EC regulation 715/2007 with designation 'Euro 6') the emissions of the whole vehicle are evaluated whereas for Heavy Duty cycle (EC regulation 595/2009 with designation 'Euro VI') only the engine is bench tested. The requirement of which cycle is necessary is determined by the reference mass of the vehicle. In the case of Movano, reference mass calculations dictate that:

- N1 FWD and M1 FWD are approved as Light Duty
- N1 RWD, N2 RWD and M2 FWD are approved as Heavy Duty

Conversions

With Vivaro a new conversion portal is introduced. This significantly improves the transparency and response of all communication with body-builders, and converters:

www.converters-and-groupe-psa.com

This website contains complete technical guidelines necessary to convert Vauxhall commercial vehicles – New Combo (K9), New Vivaro (K0) and Movano (X62). All vital and fundamental information is now located in one place:

- Conversion Guidelines
- Technical Data
- 3D CAD (coming)
- WLTP guidance
- Body shell ordering

Additionally there is a new Q&A service for technical questions, and the new conversion approval process will also be managed through this portal.

Any converter of Vauxhall product should create an account on this portal including those using IVA as approval process. In fact WLTP will make this necessary.

GLOSSARY OF TERMS

Commercial Vehicle Categories

Differences between M1/N1 and M2/N2 (Vehicles with GVW above 3500kg)

Category M: Passenger carriers

Category M1: Vehicles designed and constructed for the carriage of passengers and comprising no more than eight seats in addition to the driver's seat.

Category M2: Vehicles designed and constructed for the carriage of passengers, comprising more than eight seats in addition to the driver's seat, and having a maximum mass not exceeding 5 tonnes.

Category N: Goods vehicles

Category N1: Vehicles designed and constructed for the carriage of goods and having a maximum mass not exceeding 3.5 tonnes.

Category N2: Vehicles designed and constructed for the carriage of goods and having a maximum mass exceeding 3.5 tonnes but not exceeding 12 tonnes.

Specific differences, all M2/N2 require the following:

Speed limiter: All M2/N2 vehicles are legally required to be speed limited. M2 to 62mph and N2 to 56mph.

Driver licence: Commercial vehicles with GVW greater than 3.5 tonnes have different license requirements. For any new drivers C1 category is necessary. Under some circumstances (social purposes for a non-commercial body) it is possible to drive a minibus without a D1 entitlement (Minibus) however eligibility for this exemption should be confirmed with DVSA.

Driver CPC: Driver Certificate of Professional Competence mandates 35 hours of periodic training every 5 years to maintain licence (from September 2014).

Tachograph: It is a legal requirement to administer the activities of drivers subject to the EU or AETR drivers' hours rules, and also record the vehicle's speed, distance and time. A Smart Card is required for digital tachograph and these are available from the DVLA. The tachograph of a new vehicle must be calibrated within two weeks of first registration.

Operator's Licence: This may also be required to ensure that vehicles are kept safe and in good condition at all times. Specifically for M2, PSV (public service vehicle) operator's licence is required. Exemptions in some circumstances may be permitted but this should always be confirmed with DVSA.

MOT Testing: M2/N2 must be tested each year, and vehicle presented with a completed Certificate of Conformity (CoC). This is available from Vauxhall (regdata@gm.com) or from converter in case of second-stage conversion.

Conversions – WLTP

There is a mandatory CO₂ target that comes into effect in 2020. There are specific targets for both cars and light commercial vehicles. With respect to LCVs, Vauxhall will be responsible for the CO₂ of complete converted vehicle, and defined Maxi-Pollutant Values must be respected.

These values are:

- Mass in Running Order (kg)
- Frontal Surface (m²)
- Rolling Resistance Coefficient of tyres (kg/t)
- Air Inlet Surface to cool the engine (dm²)

Conversion Guidelines; Maxi-Pollutant Values and links to CO₂ calculator can all be found on the converter portal at **www.converters-and-groupe-psa.com**

Second-stage conversions based on a Euro 6D TEMP engine cannot be registered unless they have passed the CO₂ calculator. If Maxi-Pollutant values are not followed, then CO₂ calculation will fail and converted vehicle cannot be registered. It would be necessary then to change the conversion.

FURTHER INFORMATION

Vauxhall on-the-road recommended retail prices (RRP)

To eliminate uncertainty about hidden costs incurred when buying a new commercial vehicle, Vauxhall publishes on-the-road prices and these are shown in the pricing tables within this price guide. The prices shown are manufacturer's recommended retail prices (RRP) unless otherwise stated, exclusive of VAT (currently at a rate of 20% which may be payable). These prices include the recommended cost of number plates, delivery to a Vauxhall Retailer of £583.33 (£700.00 including VAT), 12 months' Government Vehicle Excise Duty* and the DVLA new vehicle first registration fee of £55.00*.

Please note: The RRP does not include fuel supplied by the Retailer, motor insurance or any other goods or services supplied by agreement between the Retailer and customer.

Price protection for all Vauxhalls

Order a new Vauxhall for build in the current model year (as confirmed by your Retailer) for delivery no more than three months in advance and the price you are quoted is the price you pay. This is irrespective of any subsequent price rises between placing your order and delivery of your new commercial vehicle, but you must take delivery as soon as the commercial vehicle is available. Vauxhall Motors Limited is not liable for price adjustments caused by Government changes in the rate of VAT (currently 20%), Vehicle Excise Duty, DVLA new vehicle first registration fee or by any other applicable legislation or regulations.

In the event of an accident...

Vauxhall Accident Management helps keep you mobile following an accident. Benefits include vehicle recovery, Vauxhall-approved repairs and contacting your insurer. For more details, visit www.vauxhall.co.uk/AccidentManagement

Vehicle Excise Duty

The amount of Vehicle Excise Duty (road fund licence) payable on new commercial vehicles varies depending on gross vehicle weight (GVW) and European standard emissions compliance, as shown below*.

Up to 3500kg GVW	£265.00
Over 3500kg GVW	£165.00

*Correct at time of publication.

Customer Care Commitment

For added peace of mind, Vauxhall has an innovative Customer Care Commitment** that offers the following:

- Three-year vehicle warranty consisting of a one-year/unlimited mileage manufacturer's warranty and a second and third year manufacturer's warranty with a 60,000 miles (Combo) and 100,000 miles (Vivaro and Movano) limitation
- Vauxhall Assistance for 12 months from first registration
- Five years' body panel anti-perforation warranty

**Warranty is only on vehicles sourced from Vauxhall Motors Limited. Terms and conditions apply – please see your Vauxhall Retailer for details.

Vauxhall Assistance

Vauxhall Assistance is provided automatically with every new Vauxhall Commercial Vehicle for 12 months from first registration and covers everything from accidents, mechanical breakdown to flat tyres. With Vauxhall Assistance help is literally just a free[†] phone call away, 24 hours a day, 365 days a year!

[†]Mobile phone users will be charged at their standard tariff.

Vauxhall Extended Warranty

For complete peace of mind Vauxhall offers an extended warranty that can be purchased on an annual basis following the expiry of the original new vehicle warranty. It covers most mechanical

and electrical components. Terms and conditions apply, for further details please contact your local Vauxhall Retailer.

Protecting the environment

Our products are increasingly winning environmental awards, both through the use of more recycled materials and by becoming cleaner and more efficient. For information on Vauxhall's efforts to achieve an environmentally sustainable future, including information on Design for Recycling, take-back of End-of-Life Vehicles (ELVs), and the recycling of ELVs, see www.vauxhall.co.uk/recycling

Van Business Centres

Keeping your van on the road. We know how important your van is to you, that's why we're geared up to minimise your downtime.

Our nationwide Van Business Centres provide fast, convenient value for money servicing, repairs and MOTs.

- All work is carried out by Vauxhall trained technicians using only genuine parts
- No appointments are required for diagnosis and we offer a 'while you wait' service

We have all the expertise required and will spare no effort to get you back in business as soon as possible.

Vauxhall Service Plan

Vauxhall Retailers offer a great service for owners of all Vauxhall vehicles. Value for money, regular offers and free check-ups, combined with the peace of mind that comes from using Vauxhall-trained technicians and genuine parts, help keep your vehicle in peak condition at all times. Every Vauxhall Retailer supports our customer promise:

We are Vauxhall experts

- Fully Vauxhall-trained technicians
- We use Vauxhall approved diagnostic equipment and specialist tools
- Full access to Vauxhall repair databases and technical centres

We are transparent

- Our invoicing will clearly set out the work at the price agreed with no hidden extras

We are never beaten on price

- We will match any written like for like service/repair quote from a local^{††} competitor using genuine repair methods and parts

We are convenient

- Flexible booking times to suit you
- 'One-stop shop' for every type of Vauxhall service
- While you wait facility on stocked tyres, batteries and exhausts
- Free courtesy vehicle or local collection with annual services and warranty work

We are thorough

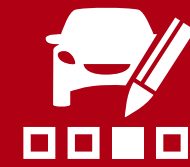
- 25 point safety check with any workshop visit
- No obligation advice on essential and non-essential work
- Free check for safety enhancements and upgrades to your vehicle and software
- Free 'Wash and Vac' with every annual service
- Free fitting of wipers and external bulbs with annual services

^{††}A radius of five miles/20 minutes from your Vauxhall Retailer.

For more product information

For further information on the Vauxhall range or location of your nearest Vauxhall Retailer please call 0345 600 1500. Alternatively, details can be found on our website at www.vauxhall.co.uk

Take the next step:



Join us online:

Discover the full Vauxhall range at [vauxhall.co.uk](https://www.vauxhall.co.uk) >

Privacy Policy: For full details please visit [vauxhall.co.uk/privacy](https://www.vauxhall.co.uk/privacy)

The invoice price, including delivery to Retailer, factory-fitted options, accessories fitted by the Retailer and number plates, is subject to VAT. Some feature descriptions in this guide may refer to, and some illustrations may show, optional equipment not included in the standard delivery. The information contained in this guide was accurate at the time of publication. We reserve the right to make changes in design and equipment. Please note that Vauxhall Retailers are not the agents of Vauxhall Motors Limited and are not authorised to bind Vauxhall Motors Limited by any specific or implied undertaking or representation. It is advisable to ensure that your motor insurance policy provides adequate cover for additional fitted options and accessories. The colours in this guide are only approximate actual colours. Illustrated optional equipment is available at extra charge. Availability, technical features and equipment provided on our vehicles can vary by model. For precise information on the equipment provided on our vehicles, please contact your local Vauxhall Retailer.