

LCV RANGE

Price and Specification Guide | 24 July 2019 | Model Year 2020



VX_CVRNG_29874



VAUXHALL
British Brand since 1903

CONTENTS

To find the information you want use the links below to navigate around the guide:

NEW COMBO CARGO

[Range Highlights >](#)

[Models >](#)

[Prices, Weights,
Fuel Economy and Emissions >](#)

[Features/Options >](#)

[Exterior Colours >](#)

[Wheels and Tyres >](#)

[Specifications >](#)

[Dimensions >](#)

[Accessories >](#)

NEW VIVARO

[Range Highlights >](#)

[Models >](#)

[Prices, Weights,
Fuel Economy and Emissions >](#)

[Features/Options >](#)

[Exterior Colours >](#)

[Wheels and Tyres >](#)

[Specifications >](#)

[Dimensions >](#)

NEW MOVANO

[Prices, Weights,
Fuel Economy and Emissions >](#)

[Features/Options >](#)

[Exterior Colours >](#)

[Wheels and Tyres >](#)

[Specifications >](#)

[Dimensions >](#)

[Accessories >](#)

[GLOSSARY OF TERMS >](#)

[FURTHER INFORMATION >](#)

NEW COMBO CARGO RANGE HIGHLIGHTS



VX_COMV_29785

EDITION OTR from £17,278.33*

Standard features include:

Infotainment:

- AM/FM/DAB digital radio, Bluetooth® audio streaming, Bluetooth® mobile phone portal, USB audio connection with 3.5-inch display
- Vauxhall Connect

Interior convenience/styling:

- Steering column adjustable for reach and rake

Exterior convenience/styling:

- Electrically adjustable/heated door mirrors
- Electrically operated front windows
- Nearside sliding side-access door – L1 models
- Nearside and offside sliding side-access doors – L2 models
- Twin solid rear doors
- Emergency tyre inflation kit
- Side-protection mouldings

Safety/security:

- Driver's airbag
- Anti-lock braking system
- Hill start assist
- Full-height steel bulkhead
- Daytime running lights
- Automatic lighting control
- Remote control central deadlocking
- Keyless entry and start – standard on automatic models
- Engine deadlock immobiliser
- Electronically protected audio equipment



VX_COMV_28911

SPORTIVE OTR from £18,628.33*

Features over Edition:

Interior convenience/styling:

- Steering wheel mounted audio controls
- Air conditioning
- Driver's top-lidded glovebox
- Height-adjustable driver's seat
- Four-way adjustable passenger's seat
- Driver's seat with manual lumbar adjustment
- Electronic cruise control

Exterior convenience/styling:

- Rear parking distance sensors
- Body-colour front and rear bumpers
- Metallic paint
- 16-inch steel wheels with 185/65 R16 tyres with full-diameter wheel trims

Security:

- Remote control security alarm system

Crew Van (Edition and Sportive) models additionally feature:

- Two-position moveable ladder frame bulkhead
- Three-seat second-row bench
- Lap and diagonal inertia-reel seatbelts
- Nearside and offside sliding side-access doors



VX_COMV_28954

LE NAV OTR from £20,653.33*

Features over Sportive:

Infotainment:

- Navi IntelliLink
 - 8-inch colour touchscreen
 - Satellite navigation system

Exterior convenience/styling:

- Body-colour side-protection mouldings
- Body-colour door handles
- Body-colour sliding side-access door rail cover
- Front fog lights
- Protective front skid plate
- 16-inch alloy wheels with 205/60 R16 tyres

*OTR price excluding VAT.

EDITION



VX_COMV_29785



VX_COM_28471



VX_COMV_28870



VX_COMV_28951

L1 PANEL VAN ON-THE-ROAD PRICES

| EURO 6D (6.3) | OTR RRP exc. VAT | CO ₂ (g/km) |
|---|-------------------|------------------------|
| Petrol | | |
| 2000 1.2 (110PS) Turbo Start/Stop | £17,628.33 | 124 |
| EURO 6D TEMP (6.2) | | |
| Diesel | | |
| 2000 1.5 (75PS) Turbo D | £17,278.33 | 111 |
| 2000 1.5 (100PS) Turbo D Start/Stop | £18,103.33 | 107 |
| 2000 1.5 (130PS) Turbo D Start/Stop | £18,753.33 | 117 |
| 2000 1.5 (130PS) Turbo D Start/Stop automatic | £20,703.33 | 114 |
| 2300 1.5 (75PS) Turbo D | £17,628.33 | 114 |
| 2300 1.5 (100PS) Turbo D Start/Stop | £18,453.33 | 110 |
| 2300 1.5 (130PS) Turbo D Start/Stop | £19,103.33 | 117 |
| 2300 1.5 (130PS) Turbo D Start/Stop automatic | £21,053.33 | 114 |

L2 PANEL VAN ON-THE-ROAD PRICES

| EURO 6D TEMP (6.2) | | |
|---|-------------------|-----|
| Diesel | | |
| 2300 1.5 (100PS) Turbo D Start/Stop | £19,353.33 | 110 |
| 2300 1.5 (130PS) Turbo D Start/Stop automatic | £21,953.33 | 114 |

Please note: On-the-road recommended retail prices (RRP) include number plates and delivery to retailer of £583.33, 12 months' Vehicle Excise Duty (£260.00) and new vehicle first registration fee of £55.00. Excludes fuel and insurance.

FEATURES

Infotainment:

- AM/FM/DAB digital radio
- Bluetooth® audio streaming
- Bluetooth® mobile phone portal
- USB audio connection
- Four speakers
- Vauxhall Connect

Interior convenience/styling:

- Steering column adjustable for reach and rake
- Full-width overhead storage shelf
- Four-way adjustable driver's seat
- Front passenger's seat with underseat storage

Exterior convenience/styling:

- Electrically adjustable/heated door mirrors
- Electrically operated front windows with one-touch facility
- Nearside sliding side-access door
- Twin solid rear doors
- Emergency tyre inflation kit
- Side-protection mouldings
- 15-inch steel wheels with 195/65 R15 tyres with centre caps (2000 models)
- 16-inch steel wheels with 205/60 R16 tyres with centre caps (2300 models)

Safety/security:

- Driver's airbag
- Height-adjustable front lap and diagonal inertia-reel seatbelts
- Electronic stability programme with traction control
- Anti-lock braking system
- Full-height steel bulkhead
- Hill start assist
- Daytime running lights
- Remote control central deadlocking
- Keyless entry and start – standard on automatic models
- Engine deadlock immobiliser
- Electronically protected audio equipment

SPORTIVE



VX_COMV_28911



VX_COMV_28913



VX_COMV_28912



VX_COMV_28952

L1 PANEL VAN ON-THE-ROAD PRICES

| EURO 6D (6.3) | OTR RRP exc. VAT | CO ₂ (g/km) |
|---|-------------------|------------------------|
| Petrol | | |
| 2000 1.2 (110PS) Turbo Start/Stop | £18,978.33 | 124 |
| EURO 6D TEMP (6.2) | | |
| Diesel | | |
| 2000 1.5 (75PS) Turbo D | £18,628.33 | 111 |
| 2000 1.5 (100PS) Turbo D Start/Stop | £19,453.33 | 107 |
| 2000 1.5 (130PS) Turbo D Start/Stop | £20,103.33 | 117 |
| 2000 1.5 (130PS) Turbo D Start/Stop automatic | £22,003.33 | 114 |
| 2300 1.5 (100PS) Turbo D Start/Stop | £19,803.33 | 110 |

L2 PANEL VAN ON-THE-ROAD PRICES

| EURO 6D TEMP (6.2) | | |
|-------------------------------------|-------------------|-----|
| Diesel | | |
| 2300 1.5 (100PS) Turbo D Start/Stop | £20,703.33 | 110 |

Please note: On-the-road recommended retail prices (RRP) include number plates and delivery to retailer of £583.33, 12 months' Vehicle Excise Duty (£260.00) and new vehicle first registration fee of £55.00. Excludes fuel and insurance.

FEATURES

Infotainment:

- AM/FM/DAB digital radio
- Bluetooth® audio streaming
- Bluetooth® mobile phone portal
- USB audio connection
- Four speakers
- Vauxhall Connect

Interior convenience/styling:

- Air conditioning
- Driver's top-lidded glovebox
- Six-way adjustable driver's seat with manual lumbar adjustment, armrest and underseat storage tray
- Four-way adjustable front passenger's seat
- Full-width overhead storage shelf
- Electronic cruise control
- Steering wheel mounted audio controls
- Steering column adjustable for reach and rake

Exterior convenience/styling:

- Electrically adjustable/heated door mirrors
- Electrically operated front windows with one-touch facility
- Nearside sliding side-access door
- Rear parking distance sensors
- Body-colour front and rear bumpers
- Twin solid rear doors • Metallic paint
- 16-inch steel wheels with 185/65 R16 tyres with full-diameter wheel trims
- Emergency tyre inflation kit

Safety/security:

- Driver's airbag
- Height-adjustable front lap and diagonal inertia-reel seatbelts
- Electronic stability programme with traction control
- Anti-lock braking system
- Full-height steel bulkhead • Hill start assist
- Daytime running lights
- Remote control central deadlocking
- Remote control security alarm system
- Keyless entry and start – standard on automatic models
- Engine deadlock immobiliser
- Electronically protected audio equipment

LIMITED EDITION NAV



VX_COMV_28954



VX_COM_28922



VX_COM_28486



VX_COMV_28953

L1 PANEL VAN ON-THE-ROAD PRICES

| EURO 6D TEMP (6.2) | OTR RRP exc. VAT | CO ₂ (g/km) |
|-------------------------------------|-------------------|------------------------|
| Diesel | | |
| 2000 1.5 (100PS) Turbo D Start/Stop | £20,653.33 | 107 |
| 2000 1.5 (130PS) Turbo D Start/Stop | £21,303.33 | 117 |
| 2300 1.5 (100PS) Turbo D Start/Stop | £21,003.33 | 110 |

L2 PANEL VAN ON-THE-ROAD PRICES

| EURO 6D TEMP (6.2) | OTR RRP exc. VAT | CO ₂ (g/km) |
|-------------------------------------|-------------------|------------------------|
| Diesel | | |
| 2300 1.5 (100PS) Turbo D Start/Stop | £21,903.33 | 110 |

Please note: On-the-road recommended retail prices (RRP) include number plates and delivery to retailer of £583.33, 12 months' Vehicle Excise Duty (£260.00) and new vehicle first registration fee of £55.00. Excludes fuel and insurance.

FEATURES

Infotainment:

- Navi IntelliLink system
 - Fully integrated European sat nav system
 - 8-inch colour touchscreen
 - Voice control
 - AM/FM/DAB digital radio
 - Bluetooth® audio streaming
 - Bluetooth® mobile phone portal
 - USB audio connection
 - Second USB charging connection
 - Four speakers
- Vauxhall Connect

Interior convenience/styling:

- Air conditioning
- Driver's top-lidded glovebox
- Six-way adjustable driver's seat with manual lumbar adjustment, armrest and underseat storage tray
- Four-way adjustable front passenger's seat
- Full-width overhead storage shelf
- Electronic cruise control
- Steering wheel mounted audio controls
- Steering column adjustable for reach and rake

Exterior convenience/styling:

- Electrically adjustable/heated door mirrors
- Electrically operated front windows with one-touch facility
- Nearside sliding side-access door
- Rear parking distance sensors
- Body-colour door mirrors
- Body-colour side-protection mouldings
- Body-colour door handles
- Body-colour sliding side-access door rail cover
- Body-colour front and rear bumpers
- Front fog lights
- Protective front skid plate
- Twin solid rear doors
- Metallic paint
- 16-inch alloy wheels with 205/60 R16 tyres

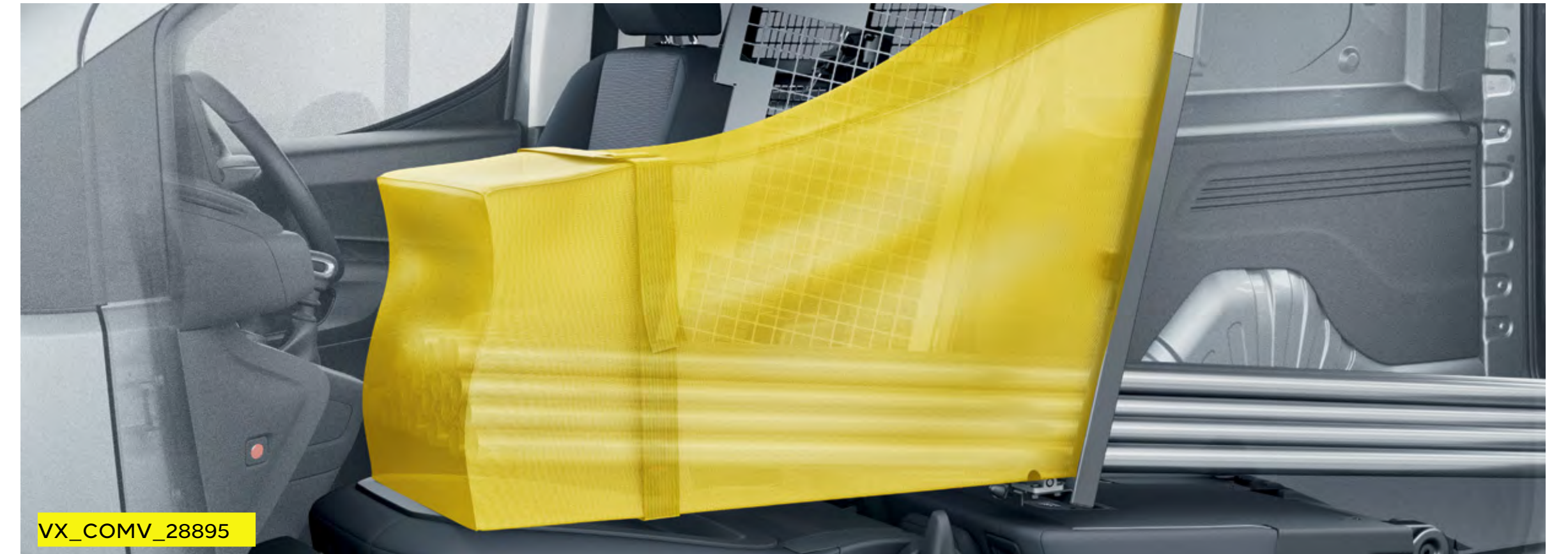
Safety/security:

- Driver's airbag
- Height-adjustable front lap and diagonal inertia-reel seatbelts
- Electronic stability programme with traction control
- Anti-lock braking system
- Full-height steel bulkhead
- Hill start assist
- Daytime running lights
- Remote control central deadlocking
- Remote control security alarm system
- Engine deadlock immobiliser
- Electronically protected audio equipment

CREW VAN



VX_COMV_28907



VX_COMV_28895

L2 CREW VAN EDITION ON-THE-ROAD PRICES

| EURO 6D TEMP (6.2) | OTR RRP exc. VAT | CO ₂ (g/km) |
|-------------------------------------|-------------------|------------------------|
| Diesel | | |
| 2300 1.5 (100PS) Turbo D Start/Stop | £20,353.33 | 113 |

L2 CREW VAN SPORTIVE ON-THE-ROAD PRICES

| EURO 6D TEMP (6.2) | OTR RRP exc. VAT | CO ₂ (g/km) |
|-------------------------------------|-------------------|------------------------|
| Diesel | | |
| 2300 1.5 (100PS) Turbo D Start/Stop | £21,703.33 | 113 |

Please note: On-the-road recommended retail prices (RRP) include number plates and delivery to retailer of £583.33, 12 months' Vehicle Excise Duty (£260.00) and new vehicle first registration fee of £55.00. Excludes fuel and insurance.

The Combo Crew Van is classified as a Commercial Vehicle (Category N). It is not pre-approved for VAT reclaimable status and it is advisable that customers consult their local HMRC Office or visit www.hmrc.gov.uk for further details

FEATURES

Infotainment:

- AM/FM/DAB digital radio
- Bluetooth® audio streaming
- Bluetooth® mobile phone portal
- USB audio connection
- Four speakers
- Vauxhall Connect

Interior convenience/styling:

- Steering column adjustable for reach and rake
- Full-width overhead storage shelf
- Four-way adjustable driver's seat
- Four-way adjustable, folding front passenger's seat
- Three-seat second-row bench
- Vinyl load floor covering

Exterior convenience/styling:

- Electrically adjustable/heated door mirrors
- Electrically operated front windows with one-touch facility
- Nearside and offside sliding side-access doors
- Twin solid rear doors • Emergency tyre inflation kit
- Side-protection mouldings
- 16-inch steel wheels with 205/60 R16 tyres with centre caps

Safety/security:

- Driver's airbag
- Height-adjustable front lap and diagonal inertia-reel seatbelts

- Rear lap and diagonal seatbelts
- Electronic stability programme with traction control
- Anti-lock braking system
- Two-position moveable ladder frame bulkhead
- Hill start assist • Daytime running lights
- Remote control central deadlocking
- Engine deadlock immobiliser
- Electronically protected audio equipment

SPORTIVE MODELS ADDITIONALLY FEATURE

Security:

- Remote control security alarm system

Interior convenience/styling:

- Steering wheel mounted audio controls
- Air conditioning
- Driver's top-lidded glovebox
- Height-adjustable driver's seat
- Manual lumbar adjustment
- Electronic cruise control

Exterior convenience/styling:

- Rear parking distance sensors
- Body-colour front and rear bumpers
- Metallic paint
- 16-inch steel wheels with 205/60 R16 tyres with full-diameter wheel trims

NEW COMBO CARGO PANEL VAN PRICES

| | Fuel type | Minimum Mass (kg)* | Maximum indicative payload (kg)* | Fuel economy mpg (litres/100km)# | | | CO ₂ (g/km)# | Price (£) exc. VAT | On-the-road RRP (£) exc. VAT |
|--|-----------|--------------------|----------------------------------|----------------------------------|---------------------|-----------------|-------------------------|--------------------|------------------------------|
| | | | | Urban driving | Extra-urban driving | Combined figure | | | |
| L1 EDITION PANEL VAN EURO 6D (6.3) | | | | | | | | | |
| 2000 1.2 (110PS) Start/Stop | Petrol | 1280 | 735 | 45.5 (6.2) | 57.6 (4.9) | 52.3 (5.4) | 124 | 16,730.00 | 17,628.33 |
| L1 EDITION PANEL VAN EURO 6D TEMP (6.2) | | | | | | | | | |
| 2000 1.5 (75PS) Turbo D | Diesel | 1395 | 660 | 60.1 (4.7) | 72.4 (3.9) | 67.2 (4.2) | 111 | 16,380.00 | 17,278.33 |
| 2000 1.5 (100PS) Turbo D Start/Stop | Diesel | 1395 | 665 | 64.2 (4.4) | 72.4 (3.9) | 68.8 (4.1) | 107 | 17,205.00 | 18,103.33 |
| 2000 1.5 (130PS) Turbo D Start/Stop | Diesel | 1437 | 658 | 57.6 (4.9) | 68.8 (4.1) | 64.2 (4.4) | 117 | 17,855.00 | 18,753.33 |
| 2000 1.5 (130PS) Turbo D Start/Stop automatic | Diesel | 1451 | 654 | 61.4 (4.6) | 67.2 (4.2) | 65.6 (4.3) | 114 | 19,805.00 | 20,703.33 |
| 2300 1.5 (75PS) Turbo D | Diesel | 1430 | 985 | 57.6 (4.9) | 70.6 (4.0) | 65.6 (4.3) | 114 | 16,730.00 | 17,628.33 |
| 2300 1.5 (100PS) Turbo D Start/Stop | Diesel | 1436 | 984 | 62.8 (4.5) | 70.6 (4.0) | 67.2 (4.2) | 110 | 17,555.00 | 18,453.33 |
| 2300 1.5 (130PS) Turbo D Start/Stop | Diesel | 1458 | 987 | 57.6 (4.9) | 68.8 (4.1) | 64.2 (4.4) | 117 | 18,205.00 | 19,103.33 |
| 2300 1.5 (130PS) Turbo D Start/Stop automatic | Diesel | 1470 | 985 | 61.4 (4.6) | 67.2 (4.2) | 65.6 (4.3) | 114 | 20,155.00 | 21,053.33 |

Please note: On-the-road recommended retail prices (RRP) include number plates and delivery to retailer of £583.33, 12 months' Vehicle Excise Duty (£260.00) and new vehicle first registration fee of £55.00. Excludes fuel and insurance.

All Combo Vans include BlueInjection. Vehicles with BlueInjection technology will need regular AdBlue® top-ups also between servicing requirements. An indicator integrated into the on-board computer will warn you when you need to top up. More information under www.vauxhall.co.uk/adblue In accordance with regulations R (EC) No. 715/2007 and R (EC) No. 692/2008 (in the versions respectively applicable).

#Fuel consumption data and CO₂ emission data are determined using the Worldwide harmonized Light vehicles Test Procedure (WLTP), and the relevant values are translated back to allow the comparability into NEDC, according to regulations R (EC) No. 715/2007, R (EU) No. 2017/1153 and R (EU) No. 2017/1151. The values do not take into account in particular use and driving conditions, equipment or options and may vary depending on the format of tyres. For more information on official fuel consumption and CO₂ emission values, please read the guidelines at <http://vanfueldata.dft.gov.uk/>

*Minimum Mass for standard vehicles include coolant, oil and 90% full fuel tank. They will vary according to the vehicle specification (including trim, options and accessories) with a corresponding variation in payload.

NEW COMBO CARGO PANEL VAN PRICES

| | Fuel type | Minimum Mass (kg)* | Maximum indicative payload (kg)* | Fuel economy mpg (litres/100km)# | | | CO ₂ (g/km)# | Price (£) exc. VAT | On-the-road RRP (£) exc. VAT |
|--|-----------|--------------------|----------------------------------|----------------------------------|---------------------|-----------------|-------------------------|--------------------|------------------------------|
| | | | | Urban driving | Extra-urban driving | Combined figure | | | |
| L1 SPORTIVE PANEL VAN EURO 6D (6.3) | | | | | | | | | |
| 2000 1.2 (110PS) Start/Stop | Petrol | 1280 | 735 | 45.5 (6.2) | 57.6 (4.9) | 52.3 (5.4) | 124 | 18,080.00 | 18,978.33 |
| L1 SPORTIVE PANEL VAN EURO 6D TEMP (6.2) | | | | | | | | | |
| 2000 1.5 (75PS) Turbo D | Diesel | 1395 | 660 | 60.1 (4.7) | 72.4 (3.9) | 67.2 (4.2) | 111 | 17,730.00 | 18,628.33 |
| 2000 1.5 (100PS) Turbo D Start/Stop | Diesel | 1395 | 665 | 64.2 (4.4) | 72.4 (3.9) | 68.8 (4.1) | 107 | 18,555.00 | 19,453.33 |
| 2000 1.5 (130PS) Turbo D Start/Stop | Diesel | 1437 | 658 | 57.6 (4.9) | 68.8 (4.1) | 64.2 (4.4) | 117 | 19,205.00 | 20,103.33 |
| 2000 1.5 (130PS) Turbo D Start/Stop automatic | Diesel | 1451 | 654 | 61.4 (4.6) | 67.2 (4.2) | 65.6 (4.3) | 114 | 21,105.00 | 22,003.33 |
| 2300 1.5 (100PS) Turbo D Start/Stop | Diesel | 1436 | 984 | 62.8 (4.5) | 70.6 (4.0) | 67.2 (4.2) | 110 | 18,905.00 | 19,803.33 |
| L1 LIMITED EDITION NAV PANEL VAN EURO 6D TEMP (6.2) | | | | | | | | | |
| 2000 1.5 (100PS) Turbo D Start/Stop | Diesel | 1395 | 665 | 64.2 (4.4) | 72.4 (3.9) | 68.8 (4.1) | 107 | 19,755.00 | 20,653.33 |
| 2000 1.5 (130PS) Turbo D Start/Stop | Diesel | 1437 | 658 | 57.6 (4.9) | 68.8 (4.1) | 64.2 (4.4) | 117 | 20,405.00 | 21,303.33 |
| 2300 1.5 (100PS) Turbo D Start/Stop | Diesel | 1436 | 984 | 62.8 (4.5) | 70.6 (4.0) | 67.2 (4.2) | 110 | 20,105.00 | 21,003.33 |

Please note: On-the-road recommended retail prices (RRP) include number plates and delivery to retailer of £583.33, 12 months' Vehicle Excise Duty (£260.00) and new vehicle first registration fee of £55.00. Excludes fuel and insurance.

All Combo Vans include BlueInjection. Vehicles with BlueInjection technology will need regular AdBlue® top-ups also between servicing requirements. An indicator integrated into the on-board computer will warn you when you need to top up. More information under www.vauxhall.co.uk/adblue In accordance with regulations R (EC) No. 715/2007 and R (EC) No. 692/2008 (in the versions respectively applicable).

#Fuel consumption data and CO₂ emission data are determined using the Worldwide harmonized Light vehicles Test Procedure (WLTP), and the relevant values are translated back to allow the comparability into NEDC, according to regulations R (EC) No. 715/2007, R (EU) No. 2017/1153 and R (EU) No. 2017/1151. The values do not take into account in particular use and driving conditions, equipment or options and may vary depending on the format of tyres. For more information on official fuel consumption and CO₂ emission values, please read the guidelines at <http://vanfueldata.dft.gov.uk/>

*Minimum Mass for standard vehicles include coolant, oil and 90% full fuel tank. They will vary according to the vehicle specification (including trim, options and accessories) with a corresponding variation in payload.

NEW COMBO CARGO PANEL VAN PRICES

| | Fuel type | Minimum Mass (kg)* | Maximum indicative payload (kg)* | Fuel economy mpg (litres/100km)# | | | CO ₂ (g/km)# | Price (£) exc. VAT | On-the-road RRP (£) exc. VAT |
|--|-----------|--------------------|----------------------------------|----------------------------------|---------------------|-----------------|-------------------------|--------------------|------------------------------|
| | | | | Urban driving | Extra-urban driving | Combined figure | | | |
| L2 EDITION PANEL VAN EURO 6D TEMP (6.2) | | | | | | | | | |
| 2300 1.5 (100PS) Turbo D Start/Stop | Diesel | 1492 | 938 | 62.8 (4.5) | 70.6 (4.0) | 67.2 (4.2) | 110 | 18,455.00 | 19,353.33 |
| 2300 1.5 (130PS) Turbo D Start/Stop automatic | Diesel | 1470 | 985 | 61.4 (4.6) | 67.2 (4.2) | 65.6 (4.3) | 114 | 21,055.00 | 21,953.33 |
| L2 SPORTIVE PANEL VAN EURO 6D TEMP (6.2) | | | | | | | | | |
| 2300 1.5 (100PS) Turbo D Start/Stop | Diesel | 1492 | 938 | 62.8 (4.5) | 70.6 (4.0) | 67.2 (4.2) | 110 | 19,805.00 | 20,703.33 |
| L2 LIMITED EDITION NAV PANEL VAN EURO 6D TEMP (6.2) | | | | | | | | | |
| 2300 1.5 (100PS) Turbo D Start/Stop | Diesel | 1492 | 938 | 62.8 (4.5) | 70.6 (4.0) | 67.2 (4.2) | 110 | 21,005.00 | 21,903.33 |

Please note: On-the-road recommended retail prices (RRP) include number plates and delivery to retailer of £583.33, 12 months' Vehicle Excise Duty (£260.00) and new vehicle first registration fee of £55.00. Excludes fuel and insurance.

All Combo Vans include BlueInjection. Vehicles with BlueInjection technology will need regular AdBlue® top-ups also between servicing requirements. An indicator integrated into the on-board computer will warn you when you need to top up. More information under www.vauxhall.co.uk/adblue In accordance with regulations R (EC) No. 715/2007 and R (EC) No. 692/2008 (in the versions respectively applicable).

#Fuel consumption data and CO₂ emission data are determined using the Worldwide harmonized Light vehicles Test Procedure (WLTP), and the relevant values are translated back to allow the comparability into NEDC, according to regulations R (EC) No. 715/2007, R (EU) No. 2017/1153 and R (EU) No. 2017/1151. The values do not take into account in particular use and driving conditions, equipment or options and may vary depending on the format of tyres. For more information on official fuel consumption and CO₂ emission values, please read the guidelines at <http://vanfueldata.dft.gov.uk/>

*Minimum Mass for standard vehicles include coolant, oil and 90% full fuel tank. They will vary according to the vehicle specification (including trim, options and accessories) with a corresponding variation in payload.

NEW COMBO CARGO CREW VAN PRICES

| | Fuel type | Minimum Mass (kg)* | Maximum indicative payload (kg)* | Fuel economy mpg (litres/100km)# | | | CO ₂ (g/km)# | Price (£) exc. VAT | On-the-road RRP (£) exc. VAT |
|--|-----------|--------------------|----------------------------------|----------------------------------|---------------------|-----------------|-------------------------|--------------------|------------------------------|
| | | | | Urban driving | Extra-urban driving | Combined figure | | | |
| L2 EDITION CREW VAN EURO 6D TEMP (6.2) | | | | | | | | | |
| 2300 1.5 (100PS) Turbo D Start/Stop | Diesel | 1465 | 985 | 61.4 (4.6) | 68.8 (4.1) | 65.6 (4.3) | 113 | 19,455.00 | 20,353.33 |
| L2 SPORTIVE CREW VAN EURO 6D TEMP (6.2) | | | | | | | | | |
| 2300 1.5 (100PS) Turbo D Start/Stop | Diesel | 1465 | 985 | 61.4 (4.6) | 68.8 (4.1) | 65.6 (4.3) | 113 | 20,805.00 | 21,703.33 |

Please note: On-the-road recommended retail prices (RRP) include number plates and delivery to retailer of £583.33, 12 months' Vehicle Excise Duty (£260.00) and new vehicle first registration fee of £55.00. Excludes fuel and insurance.

The Combo Crew Van is classified as a Commercial Vehicle (Category N). It is not pre-approved for VAT reclaimable status and it is advisable that customers consult their local HMRC Office or visit www.hmrc.gov.uk for further details.

All Combo Vans include BlueInjection. Vehicles with BlueInjection technology will need regular AdBlue® top-ups also between servicing requirements. An indicator integrated into the on-board computer will warn you when you need to top up. More information under www.vauxhall.co.uk/adblue. In accordance with regulations R (EC) No. 715/2007 and R (EC) No. 692/2008 (in the versions respectively applicable).

#Fuel consumption data and CO₂ emission data are determined using the Worldwide harmonized Light vehicles Test Procedure (WLTP), and the relevant values are translated back to allow the comparability into NEDC, according to regulations R (EC) No. 715/2007, R (EU) No. 2017/1153 and R (EU) No. 2017/1151. The values do not take into account in particular use and driving conditions, equipment or options and may vary depending on the format of tyres. For more information on official fuel consumption and CO₂ emission values, please read the guidelines at <http://vanfueldata.dft.gov.uk/>

*Minimum Mass for standard vehicles include coolant, oil and 90% full fuel tank. They will vary according to the vehicle specification (including trim, options and accessories) with a corresponding variation in payload.

NEW COMBO CARGO PLATED WEIGHTS/TOWING DATA

| | Plated weights (kg)* | | | Towing weights (kg) | | Plated Gross Combination Weights (GCW) (kg) |
|---|----------------------------------|------------|-----------|---------------------|----------|---|
| | Gross Vehicle Weights (GVW) (kg) | Front axle | Rear axle | Braked | Unbraked | |
| L1 EDITION PANEL VAN EURO 6D (6.3) | | | | | | |
| 2000 1.2 (110PS) Turbo Start/Stop | 1940 | 1110 | 1075 | 1200 | 600 | 3140 |
| L1 EDITION PANEL VAN EURO 6D TEMP (6.2) | | | | | | |
| 2000 1.5 (75PS) Turbo D | 1980 | 1110 | 1075 | 1000 | 600 | 2980 |
| 2000 1.5 (100PS) Turbo D Start/Stop | 1985 | 1200 | 1075 | 1350 | 600 | 3335 |
| 2000 1.5 (130PS) Turbo D Start/Stop | 2020 | 1110 | 1075 | 1500 | 600 | 3520 |
| 2000 1.5 (130PS) Turbo D Start/Stop automatic | 2030 | 1200 | 1075 | 1350 | 600 | 3380 |
| 2300 1.5 (75PS) Turbo D | 2340 | 1200 | 1400 | 850 | 600 | 3190 |
| 2300 1.5 (100PS) Turbo D Start/Stop | 2345 | 1200 | 1400 | 1000 | 600 | 3345 |
| 2300 1.5 (130PS) Turbo D Start/Stop | 2370 | 1200 | 1400 | 1200 | 600 | 3570 |
| 2300 1.5 (130PS) Turbo D Start/Stop automatic | 2380 | 1200 | 1400 | 1000 | 600 | 3380 |
| L1 SPORTIVE PANEL VAN EURO 6D (6.3) | | | | | | |
| 2000 1.2 (110PS) Turbo Start/Stop | 1940 | 1110 | 1075 | 1200 | 600 | 3140 |
| L1 SPORTIVE PANEL VAN EURO 6D TEMP (6.2) | | | | | | |
| 2000 1.5 (75PS) Turbo D | 1980 | 1110 | 1075 | 1200 | 600 | 3180 |
| 2000 1.5 (100PS) Turbo D Start/Stop | 1985 | 1200 | 1075 | 1350 | 600 | 3335 |
| 2000 1.5 (130PS) Turbo D Start/Stop | 2020 | 1110 | 1075 | 1500 | 600 | 3520 |
| 2000 1.5 (130PS) Turbo D Start/Stop automatic | 2030 | 1110 | 1075 | 1350 | 600 | 3380 |
| 2300 1.5 (100PS) Turbo D Start/Stop | 2345 | 1200 | 1400 | 1000 | 600 | 3345 |

*Provisional data.

Gross plated weights (including axle weights) quoted on the vehicle plate are to UK plated weight specification and must never be exceeded.

NEW COMBO CARGO PLATED WEIGHTS/TOWING DATA

| | Plated weights (kg)* | | | Towing weights (kg) | | Plated Gross Combination Weights (GCW) (kg) |
|--|----------------------------------|------------|-----------|---------------------|----------|---|
| | Gross Vehicle Weights (GVW) (kg) | Front axle | Rear axle | Braked | Unbraked | |
| L1 LIMITED EDITION NAV PANEL VAN EURO 6D TEMP (6.2) | | | | | | |
| 2000 1.5 (100PS) Turbo D Start/Stop | 1985 | 1200 | 1075 | 1350 | 600 | 3335 |
| 2000 1.5 (130PS) Turbo D Start/Stop | 2020 | 1110 | 1075 | 1500 | 600 | 3520 |
| 2300 1.5 (100PS) Turbo D Start/Stop | 2345 | 1200 | 1400 | 1000 | 600 | 3345 |
| L2 EDITION PANEL VAN EURO 6D TEMP (6.2) | | | | | | |
| 2300 1.5 (100PS) Turbo D Start/Stop | 2355 | 1200 | 1400 | 1000 | 600 | 3355 |
| 2300 1.5 (130PS) Turbo D Start/Stop automatic | 2380 | 1200 | 1400 | 1000 | 600 | 3380 |
| L2 SPORTIVE PANEL VAN EURO 6D TEMP (6.2) | | | | | | |
| 2300 1.5 (100PS) Turbo D Start/Stop | 2355 | 1200 | 1400 | 1000 | 600 | 3355 |
| L2 LIMITED EDITION NAV PANEL VAN EURO 6D TEMP (6.2) | | | | | | |
| 2300 1.5 (100PS) Turbo D Start/Stop | 2355 | 1200 | 1400 | 1000 | 600 | 3355 |
| L2 EDITION CREW VAN EURO 6D TEMP (6.2) | | | | | | |
| 2300 1.5 (100PS) Turbo D Start/Stop | 2375 | 1200 | 1400 | 850 | tbc | 3225 |
| L2 SPORTIVE CREW VAN EURO 6D TEMP (6.2) | | | | | | |
| 2300 1.5 (100PS) Turbo D Start/Stop | 2375 | 1200 | 1400 | 850 | tbc | 3225 |

*Provisional data.

Gross plated weights (including axle weights) quoted on the vehicle plate are to UK plated weight specification and must never be exceeded.

NEW COMBO CARGO FEATURES/OPTIONS

DRIVER ASSISTANCE

| | Option code | Edition | Sportive | LE Nav | Price (£) exc. VAT | Price (£) inc. VAT |
|--|-------------|---------|----------|--------|--------------------|--------------------|
| Mechanical parking brake <ul style="list-style-type: none"> Floor-mounted handbrake lever | | ● | ● | ● | | |
| Electronic cruise control | K33 | ○ | ● | ● | 150.00 | 180.00 |
| Cruise control with speed limiter and intelligent speed adaptation The cruise control feature enables you to maintain a constant speed – making it ideal for economical motorway driving. The speed limiter function can be set to ensure that you do not exceed the speed limit and can be easily overridden if required. Working in conjunction with speed sign recognition (included in optional Safety Pack), when a new speed limit is detected a message appears in the driver information display. You can then set the cruise control to the new speed limit with a simple press on a steering wheel button. – Diesel manual models. Only available in conjunction with Winter and Safety Pack. | K38 | ○ | ○ | ○ | 250.00 | 300.00 |
| Parking sensors <ul style="list-style-type: none"> Rear parking distance sensors Audible warning | UD7 | ○ | ● | ● | 200.00 | 240.00 |
| Parking Pack Intelligent ultrasonic sensors form part of the solution for today’s crowded roads and car parks. Delivering exceptional assistance both when parking and protecting you on the open road. Only available in conjunction with Navi infotainment system. <ul style="list-style-type: none"> Front and rear parking distance sensors Permanent rear-view camera Flank guard – Ultrasonic side sensors. Electrically adjustable/heated/power-folding door mirrors Front fog lights with cornering light function (standard on LE Nav) | XIEE | ○ | ○ | ○ | 666.67 | 800.00 |
| Sight and Light Pack <ul style="list-style-type: none"> High beam assist Rain-sensitive windscreen wipers 3.5-inch colour information display – Includes driver drowsiness indicator. Automatic anti-dazzle rear-view mirror – Only available when glazed rear door option is specified. Standard on automatic models. | CWX | ○ | ○ | ○ | 145.83 | 175.00 |

● = Standard equipment. ○ = Optional at extra cost.

NEW COMBO CARGO FEATURES/OPTIONS

DRIVER ASSISTANCE CONTINUED

| | Option code | Edition | Sportive | LE Nav | Price (£) exc. VAT | Price (£) inc. VAT |
|--|-------------|---------|----------|--------|--------------------|--------------------|
| Head-up display • Navigation directions • Speedometer • Rev counter • Set speed of cruise control and speed limiter • Forward collision alert Only available in conjunction with optional audio units. Projects key information onto the windscreen so that the driver's eyes remain on the road at all times. The display is adjustable for height and brightness. | UV6 | | ○ | ○ | 300.00 | 360.00 |
| IntelliGrip Pack For those drivers who regularly take their vehicle off road, this pack helps the driver cope with whatever conditions they encounter. IntelliGrip traction control is designed to increase grip in difficult conditions without the additional weight of a conventional four-wheel drive system. It's an innovative grip control system that provides improved traction on certain terrain and conditions through a combination of optimised torque distribution and limited wheel spin, managed through the electronic stability programme. • IntelliGrip: A choice of five selectable modes to suit the driving conditions: ESP on, ESP off, snow, mud, sand | PS4 | ○ | | | 200.00 | 240.00 |
| Construction Pack Improved protection and grip with engine sump guard/shield and Michelin Latitude Tour Mud and Snow tyres. • Underride protection • 215/65 R16 tyres • Increased chassis height (+30mm) | HMG | ○ | | | 575.00 | 690.00 |

○ = Optional at extra cost.

NEW COMBO CARGO FEATURES/OPTIONS

SAFETY

| | Option code | Edition | Sportive | LE Nav | Price (£) exc. VAT | Price (£) inc. VAT |
|---|-------------|---------|----------|--------|--------------------|--------------------|
| Driver/passenger airbags | | ● | ● | ● | | |
| • Driver's airbag | | | | | | |
| • Driver and front passenger's airbag – Standard on automatic models and when keyless entry and start is specified on LE Nav models. | AK5 | ○ | ○ | ○ | 120.00 | 144.00 |
| • Driver and front passenger's side-impact airbags | AJ7 | ○ | ○ | ○ | 390.00 | 468.00 |
| • Driver and front passenger's side-impact and curtain airbags | AKB | ○ | ○ | ○ | 490.00 | 588.00 |
| Seatbelts | | | | | | |
| • Height-adjustable lap and diagonal inertia-reel front seatbelts • Three lap and diagonal inertia-reel rear seatbelts (Crew Van) • Front body-lock diagonal seatbelt pretensioner system – Tightens the seatbelt during the early stages of a frontal impact. • Drivers and front passenger's lap belt pretensioner system • Front seatbelt force limiters – Reduces potential upper body injuries during a frontal impact. • Anti-submarining ramps in front seats – Help prevent occupants sliding underneath the lap belt during a collision. | | ● | ● | ● | | |
| Child safety | | | | | | |
| • Deactivation switch for front passenger's front and side-impact airbags (when specified) – Permits the safe use of a child seat in the front passenger seat. | | ● | ● | ● | | |
| Driver/passenger safety | | | | | | |
| • Energy-absorbing steering column • Side-impact protection beams • Reinforced passenger safety cell • Deformation zones front and rear | | ● | ● | ● | | |
| Braking and stability | | | | | | |
| • Electronic stability programme • Anti-lock braking system • Corner stability control • Traction control • Hill start assist • Engine drag torque control – Improves directional stability by preventing the driven wheels from locking on slippery surfaces under the influence of engine braking. • Emergency brake assist • Electronic brakeforce distribution | | ● | ● | ● | | |
| Tyre pressure | | | | | | |
| • Deflation detection system | UJO | ○ | ○ | ○ | 185.00 | 222.00 |
| Overload indicator | | | | | | |
| Prevents risk of overloading. Avoids risk of a fine for exceeding the load limit. | J89 | ○ | ○ | ○ | 260.00 | 312.00 |

● = Standard equipment. ○ = Optional at extra cost.

NEW COMBO CARGO FEATURES/OPTIONS

SAFETY CONTINUED

| | Option code | Edition | Sportive | LE Nav | Price (£) exc. VAT | Price (£) inc. VAT |
|--|-------------|---------|----------|--------|--------------------|--------------------|
| Bulkhead | | ● | ● | ● | | |
| • Full-height steel bulkhead | | | | | | |
| • Full-height steel bulkhead with window – Panel Van. | AX9 | ○ | ○ | ○ | 175.00 | 210.00 |
| • Two-position moveable ladder frame bulkhead – Crew Van. | | ● | ● | | | |
| Safety Pack – Standard on automatic models. | | | | | | |
| Front camera system A range of class-leading driver assistance and safety features are controlled by the front camera system. | | | | | | |
| Lane keep assist with lane departure warning If the driver has not actively steered or signalled, the lane departure warning system provides gentle steering correction and warns when the vehicle moves outside of lane markings at speeds above 40mph. • Warning light in instrument cluster • Audible warning • Facia on/off switch | | | | | | |
| Speed sign recognition Detects and then displays speed limits, reducing uncertainty and the risk of speeding. | | | | | | |
| Driver drowsiness system The system monitors driving time and driving behaviour to help prevent accidents caused by tiredness. | B26 | ○ | ○ | ○ | 570.00 | 684.00 |
| Forward collision alert The system operates automatically from 3mph and gives an audible warning as well as a visual warning when approaching another vehicle too quickly. | | | | | | |
| Automatic emergency braking with pedestrian detection The system works automatically in conjunction with forward collision alert, at speeds between 3mph and 70mph, and detects both vehicles and pedestrians. If no avoiding action is taken by the driver, at speeds below 19mph the system automatically slows the vehicle to a full stop with emergency braking of 0.9g. At speeds from 19mph to 70mph it brakes automatically to reduce speed by a maximum of 30mph – to reduce speed even further the driver must brake him/herself. The operational speed range of the system depends on the detected obstacle (mobile target: from 3 to 53mph; fixed target: from 3 to 70mph; pedestrian: from 3 to 37mph). Vauxhall driver assistance systems are intended to support the driver within the system-imminent limitations. The driver remains responsible for the driving task. | | | | | | |

● = Standard equipment. ○ = Optional at extra cost.

NEW COMBO CARGO FEATURES/OPTIONS

SECURITY

| | Option code | Edition | Sportive | LE Nav | Price (£) exc. VAT | Price (£) inc. VAT |
|--|-------------|---------|----------|--------|--------------------|--------------------|
| Standard security features <ul style="list-style-type: none"> • Electronically protected audio equipment • Engine deadlock immobiliser • Visible Vehicle Identification Number (VIN) • Locking wheel bolts for alloy wheels (where fitted) | | ● | ● | ● | | |
| Remote control central locking <ul style="list-style-type: none"> • Operates on all doors and fuel filler flap • Deadlocking • Driver's internal central locking activation switch • Two folding keys, each with integral remote control function | | ● | ● | ● | | |
| Remote control security alarm system <ul style="list-style-type: none"> • Remote control – Operates in conjunction with central locking. • Bonnet protection – Prevents access to the engine bay. • Visible security LED on fascia • Load area protection – Monitors the load compartment preventing access. • Door protection – Monitors the position of all doors. • Ultrasonic intrusion sensor • Power alarm sounder • Vehicle theft attempt and diagnostic indication – Shows in the display any attempt to enter or steal the vehicle during driver absence. | PS6 | ○ | ● | ● | 150.00 | 180.00 |
| Keyless entry and start Standard on automatic models. Only available on LE Nav models when one of the FlexCargo options is specified. | ATH | | | ○ | 200.00 | 240.00 |

● = Standard equipment. ○ = Optional at extra cost.

NEW COMBO CARGO FEATURES/OPTIONS

DRIVER INFORMATION

| | Option code | Edition | Sportive | LE Nav | Price (£) exc. VAT | Price (£) inc. VAT |
|---|-------------|---------|----------|--------|--------------------|--------------------|
| Instrumentation <ul style="list-style-type: none"> • Speedometer • Rev counter • Fuel gauge with low fuel level warning light • Water temperature gauge with warning light • Shift-up indication light (manual models only) – Indicates when to change gear for optimum fuel economy. | | ● | ● | ● | | |
| Driver information display Centrally located in instrument cluster. <ul style="list-style-type: none"> • Displays trip computer data • Total mileage • Service-due indicator | | ● | ● | ● | | |
| Multi-function trip computer Displayed on driver information display. <ul style="list-style-type: none"> • Trip mileage • Vehicle range based on remaining fuel • Average speed • Average fuel economy • Instantaneous fuel economy | | ● | ● | ● | | |
| Central facia display Format dependent on infotainment unit. <ul style="list-style-type: none"> • Audio information • Digital clock with automatic RDS time adjustment • Outside air temperature with ice warning function • Additional features dependent on infotainment unit – See infotainment for details. | | ● | ● | ● | | |

● = Standard equipment.

NEW COMBO CARGO FEATURES/OPTIONS

SEATING AND COMFORT

| | Option code | Edition | Sportive | LE Nav | Price (£) exc. VAT | Price (£) inc. VAT |
|---|----------------|---------|----------|--------|--------------------|--------------------|
| Adjustable steering column • Reach and rake-adjustable steering column | | ● | ● | ● | | |
| Driver's seat 4-way adjustable. • Reach • Backrest recline | | ● | | | | |
| Driver's seat 6-way adjustable. • Height • Reach • Manual lumbar adjustment • Armrest • Underseat storage | XFCF (was AM1) | ○ | ● | ● | 250.00 | 300.00 |
| Front passenger's seat 4-way adjustable. • Reach • Backrest recline • Manual lumbar adjustment | | | | | | |
| Front passenger's seat • Fixed • Underseat storage | | ● | | | | |
| Front passenger's seat – Crew Van models. 4-way adjustable and foldable. • Reach • Backrest recline | | ● | ● | | | |
| Second-row – Crew Van models. • Three-person layout • 60/40 split-folding rear seat • Fold and tumble facility • Height-adjustable and removable head restraints | | ● | ● | | | |
| Seat trim • Mistral Grey with Curitiba fabric seat trim inserts | | ● | ● | ● | | |
| Cab flooring • Carpeted | | ● | ● | ● | | |

● = Standard equipment. ○ = Optional at extra cost.

NEW COMBO CARGO FEATURES/OPTIONS

SEATING AND COMFORT CONTINUED

| | Option code | Edition | Sportive | LE Nav | Price (£) exc. VAT | Price (£) inc. VAT |
|---|-------------|---------|----------|--------|--------------------|--------------------|
| <p>FlexCargo Pack</p> <hr/> <p>Panel Van.</p> <ul style="list-style-type: none"> • Dual front passengers' fixed bench seat • Fold-flat centre seat backrest with table • Two-way foldable outer seat • Load-through bulkhead • Electric parking brake • 'Seatbelt unfastened' audible warning and warning light <p>- Manual models only. Includes 6-way adjustable driver's seat on Edition models.</p> | AYW | ○ | ○ | ○ | 510.00 | 612.00 |
| <p>FlexCargo Glazed Pack</p> <hr/> <p>Panel Van.</p> <ul style="list-style-type: none"> • Dual front passengers' fixed bench seat • Fold-flat centre seat backrest with table • Two-way foldable outer seat • Load-through glazed bulkhead • Electric parking brake • 'Seatbelt unfastened' audible warning and warning light <p>- Manual models only. Available only when glazed rear door option is specified. Includes 6-way adjustable driver's seat on Edition models.</p> | AYV | ○ | ○ | ○ | 575.00 | 690.00 |

○ = Optional at extra cost.

NEW COMBO CARGO FEATURES/OPTIONS

HEATING AND VENTILATION

| | Option code | Edition | Sportive | LE Nav | Price (£) exc. VAT | Price (£) inc. VAT |
|---|-------------|---------|----------|--------|--------------------|--------------------|
| Cab heating • Six-speed fan • Illuminated controls • Four adjustable facia vents • Windscreen demist vents • Side window demist vents | | ● | ● | ● | | |
| Air conditioning • Air recirculation facility • Cabin particulate filter – Removes dust, airborne particles and pollen. | C60 | ○ | ● | ● | 600.00 | 720.00 |
| Electronic climate control including air conditioning • Dual-zone control – allowing different temperature settings for driver and front passenger. • Advanced predictive logic control system using sun sensors • Partial air recirculation – faster warm up/cool down. • Cabin particulate filter – removes dust, airborne particles and pollen. • Automatic air direction and fan speed with manual override • LCD temperature display • Illuminated controls – Only available when the Sight and Light Pack is specified. | CJ2 | | ○ | ○ | 200.00 | 240.00 |
| Winter Pack • Heated outer front seats • Heated leather-covered steering wheel – Only available when cruise control and Safety Pack are specified. Not available on automatic or Crew Van models. | XIBV | | ○ | ○ | 208.33 | 250.00 |

● = Standard equipment. ○ = Optional at extra cost.

NEW COMBO CARGO FEATURES/OPTIONS

INTERIOR CONVENIENCE AND STORAGE

| | Option code | Edition | Sportive | LE Nav | Price (£) exc. VAT | Price (£) inc. VAT |
|---|-------------|---------|----------|--------|--------------------|--------------------|
| Mirrors <ul style="list-style-type: none"> • Dipping rear-view mirror – When glazed bulkhead and rear doors are specified. • Driver's and front passenger's sunvisors • Vanity mirror on rear of driver's sunvisor | | ● | ● | ● | | |
| Front compartments <ul style="list-style-type: none"> • Two facia-mounted drinks holders • Two drinks holders in centre console • Large open storage pocket behind infotainment screen • Small open storage compartment behind gear lever • Two large and two small open door pockets • Open storage compartment below glovebox • Full-width overhead storage shelf with ambient lighting | | ● | ● | ● | | |
| <ul style="list-style-type: none"> • Underseat drawer (driver's side) | | | ● | ● | | |

● = Standard equipment.

NEW COMBO CARGO FEATURES/OPTIONS

LOAD AREA

| | Option code | Edition | Sportive | LE Nav | Price (£) exc. VAT | Price (£) inc. VAT |
|--|-------------|---------|----------|--------|--------------------|--------------------|
| Load floor covering – Panel Van only. • Plywood load floor covering | CRJ | ○ | ○ | ○ | 180.00 | 216.00 |
| • Vinyl load floor covering – Standard on Crew Van models. | CRK | ○ | ○ | ○ | 60.00 | 72.00 |
| Illuminated load area | | ● | ● | ● | | |
| Fixed floor-mounted load restraint lashing eyes – Six. | | ● | ● | ● | | |
| LED illuminated load area – Panel Van only. | 8G8 | ○ | ○ | ○ | 200.00 | 240.00 |
| Rear roof flap – L1 models only. Available later in model year. | AD3 | ○ | | | 240.00 | 288.00 |
| Side access – Unglazed. • Nearside sliding side-access door – L1 models. | | ● | ● | ● | | |
| • Nearside and offside sliding side-access doors – Standard on L2 and Crew Van models. | CVM | ○ | ○ | ○ | 220.00 | 264.00 |
| Side access – Glazed. Panel Van only. • Fixed window in nearside sliding side-access door • Fixed window in opposite panel – L1 models. | BSB | ○ | ○ | ○ | 320.00 | 384.00 |
| Side access – Glazed. Panel Van only. • Offside sliding side-access door • Fixed window in nearside sliding side-access door • Fixed window in offside sliding side-access door – L1 models. | BSA | ○ | ○ | ○ | 540.00 | 648.00 |
| Side access – Glazed. Panel Van only. • Fixed window in nearside sliding side-access door • Fixed window in offside sliding side-access door – L2 models. | BSB | ○ | ○ | ○ | 320.00 | 384.00 |
| Rear access – Unglazed. • Twin solid rear doors | | ● | ● | ● | | |
| Rear access – Glazed. • Twin glazed rear doors – Only available with glazed bulkhead options. | J1X | ○ | ○ | ○ | 160.00 | 192.00 |

● = Standard equipment. ○ = Optional at extra cost.

NEW COMBO CARGO FEATURES/OPTIONS

INFOTAINMENT

| | Option code | Edition | Sportive | LE Nav | Price (£) exc. VAT | Price (£) inc. VAT |
|--|-------------|---------|----------|--------|--------------------|--------------------|
| Radio Onboard features: • AM/FM stereo radio • DAB Digital radio • RDS with Traffic Programme • 20 watts per channel output • Four speakers Media connections: • USB connection with iPod control • Bluetooth® A2DP audio streaming (Advanced Audio Distribution Profile) Mobile phone portal: • Bluetooth® connectivity • Handsfree calls via steering wheel controls • Vehicle microphone | | ● | ● | | | |
| Multimedia Onboard features: • 8-inch colour touchscreen • AM/FM stereo radio with 25 station presets • DAB Digital radio • RDS with Traffic Programme • 20 watts per channel output • Four speakers Media connections: • USB connection with iPod control • Bluetooth® A2DP audio streaming (Advanced Audio Distribution Profile) Mobile phone portal: • Bluetooth® connectivity • Handsfree calls via steering wheel controls • Vehicle microphone • Phone book access – Contacts/last calls/missed calls etc. are mirrored on the display and are easily navigated using the touchscreen (features dependent on mobile phone). Smartphone interface: • Apple CarPlay™ • Android Auto™ – Smartphone projection that allows operations via voice command, touchscreen and buttons to control apps and music playback. | i05 | ○ | ○ | | 300.00 | 360.00 |

● = Standard equipment. ○ = Optional at extra cost.

NEW COMBO CARGO FEATURES/OPTIONS

INFOTAINMENT CONTINUED

| | Option code | Edition | Sportive | LE Nav | Price (£) exc. VAT | Price (£) inc. VAT |
|---|-------------|---------|----------|--------|--------------------|--------------------|
| Multimedia Navi Pro Onboard features: <ul style="list-style-type: none"> • 8-inch colour touchscreen • AM/FM stereo radio with 25 station presets • DAB Digital radio • RDS with Traffic Programme • 20 watts per channel output • Four speakers Navigation features: <ul style="list-style-type: none"> • Satellite navigation system • 3D street level mapping • European coverage • Structured or one-box destination entry • Points-of-interest search • Eco routing • Map updates via USB Media connections: <ul style="list-style-type: none"> • USB connection with iPod control • Bluetooth® A2DP audio streaming (Advanced Audio Distribution Profile) Mobile phone portal: <ul style="list-style-type: none"> • Bluetooth® connectivity • Handsfree calls via steering wheel controls • Vehicle microphone • Phone book access – Contacts/last calls/missed calls etc. are mirrored on the display and are easily navigated using the touchscreen (features dependent on mobile phone). Smartphone interface: <ul style="list-style-type: none"> • Apple CarPlay™ • Android Auto™ – Smartphone projection that allows operations via voice command, touchscreen and buttons to control apps and music playback. | IO6 | ○ | ○ | ● | 700.00 | 840.00 |
| Steering wheel mounted audio controls – Standard on automatic Edition models. | | | ● | ● | | |
| <ul style="list-style-type: none"> • 12-volt electrical accessory socket – Centre console. • 12-volt electrical accessory socket – Passenger side. • USB charging point in glovebox • USB charging/infotainment points – Infotainment unit and rear of centre console. | | ● | ● | ● | | |
| 230-volt electrical accessory socket – In lieu of passenger side 12-volt electrical accessory socket. | KI5 | ○ | ○ | ○ | 100.00 | 120.00 |
| Wireless charger for mobile devices – Inductive wireless charging facility in lower fascia. | K4C | ○ | ○ | ○ | 80.00 | 96.00 |
| Vauxhall Connect | | ● | ● | ● | | |

● = Standard equipment. ○ = Optional at extra cost.

NEW COMBO CARGO FEATURES/OPTIONS

| EXTERIOR STYLING AND CONVENIENCE | Option code | Edition | Sportive | LE Nav | Price (£) exc. VAT | Price (£) inc. VAT |
|---|-------------|---------|----------|--------|--------------------|--------------------|
| Body styling • Nearside sliding side-access door • Twin solid rear doors • Side-protection mouldings | | ● | ● | ● | | |
| • Body-colour front and rear bumper | | | ● | ● | | |
| • Body-colour door mirrors • Body-colour side-protection mouldings • Body-colour door handles • Protective front skid plate • Body-colour sliding side-access door rail cover | | | | ● | | |
| Windscreen/windows • Solar heat-absorbing windscreen • Two-speed windscreen wipers with variable intermittent wipe • Electrically operated front windows with safety autoreverse and one-touch facility • Tinted windows | | ● | ● | ● | | |
| Door mirrors • Twin electrically adjustable/heated door mirrors • Manually folding door mirrors | | ● | ● | ● | | |
| Front fog lights | | | | ● | | |
| Tow bar pre-installation kit | JNK | ○ | ○ | ○ | 410.00 | 492.00 |
| Tow bar – Requires Tow bar pre-installation kit. | VTO | ○ | ○ | ○ | 210.00 | 252.00 |
| Roof rails | E2R | ○ | ○ | ○ | 125.00 | 150.00 |

● = Standard equipment. ○ = Optional at extra cost.




NEW COMBO CARGO EXTERIOR COLOURS

| | | | | Edition | Sportive | LE Nav | Price (£) exc. VAT | Price (£) inc. VAT |
|----------|---|--------------------------------------|--|----------------------------------|----------|--------|-----------------------|-----------------------|
| Solid |  VX_COL_OnyxBlack_G7R | Onyx Black (G7R) |  VX_COL_White_Jade_G2o | Jade White (G2O) | ● | ● | ● | |
| |  VX_COL_MoonstoneGrey_G4o | Moonstone Grey metallic (G4O) |  VX_COL_NightBlue_GBT | Night Blue metallic (GBT) | ○ | N/C | N/C | 470.83 |
| Two-coat |  VX_COL_QuartzGrey_G4i | Quartz Grey metallic (G4I) | | | | | | |

The colours reproduced may vary slightly from the actual paint colour. As a result they should be used as a guide only. Your Vauxhall Retailer has a comprehensive display of our paint samples.

● = Standard equipment. ○ = Optional at extra cost. N/C = No-cost option.

NEW COMBO CARGO WHEELS AND TYRES

| | Option code | Edition | Sportive | LE Nav | Price (£) exc. VAT | Price (£) inc. VAT |
|---|-------------|---------|----------|--------|-----------------------|--------------------|
| 15-inch steel spare wheel • 185/65 R15 tyres • In lieu of emergency tyre inflation kit (2000 models) | | N/C | | | No-cost option | |
| 16-inch steel spare wheel • 205/60 R16 tyres • In lieu of emergency tyre inflation kit (2300/Sportive/LE Nav models) | | N/C | N/C | N/C | No-cost option | |
|  <p>15-inch steel wheels with centre caps (2000 models)</p> <ul style="list-style-type: none"> • 185/65 R15 tyres • Emergency tyre inflation kit (in lieu of spare wheel) <p>16-inch steel wheels with centre caps (2300 models)</p> <ul style="list-style-type: none"> • 205/60 R16 tyres • Emergency tyre inflation kit (in lieu of spare wheel) <p>VX_COM_28907</p> | | ● | | | | |
|  <p>16-inch steel wheels with full-diameter wheel trims (2300 models)</p> <ul style="list-style-type: none"> • 205/60 R16 tyres • Emergency tyre inflation kit (in lieu of spare wheel) <p>VX_COM_28612_RRY</p> | | | ● | | | |
|  <p>16-inch alloy wheels</p> <ul style="list-style-type: none"> • 205/60 R 16 tyres • Emergency tyre inflation kit (in lieu of spare wheel) <p>VX_COM_28555_RRZ</p> | RRZ | | ○ | ● | 400.00 | 480.00 |

● = Standard equipment. ○ = Optional at extra cost. N/C = No-cost option.

NEW COMBO CARGO SPECIFICATIONS

Transmission

- Front-wheel drive
- Five-speed manual gearbox
1.6 (75/100PS)/1.5 (130PS) Turbo D models
- Six-speed manual gearbox – 1.5 (130PS)
Turbo D/1.2 (110PS) Turbo* models
- Eight-speed automatic transmission – available
on 1.5 (130PS) Turbo D/1.2 (130PS) Turbo* models

Replacing the traditional lever, the automatic transmission selection-mode dial/drive wheel is an innovative solution that is both elegant and intuitive. By simply twisting the dial, the following modes can be selected:

- Park, for when the vehicle is stationary and the wheels are locked
- Drive, for automatic forward motion
- Neutral, for when the vehicle is stationary, wheels are free
- Reverse, for automatic backward motion

For an extra experience of dynamism, the shift paddles for automatic transmissions are located behind the steering wheel, offering drivers an extra level of control that is highly ergonomic and intuitive. The shift paddles function in the following way:

- To go up a gear, the driver must pull the right lever towards themselves
- To go down a gear, the driver must pull the left lever towards themselves**

Steering

- Speed-sensitive electric power-assisted system
- Turning circle (kerb-to-kerb) –
11.0m (36 ft) L1 models, 11.8m (38.7 ft) L2 models

Suspension

Front: Independent. MacPherson struts with gas-pressure dampers and linear-rate coil springs. Anti-roll bar

Rear: Torsion beam with gas-pressure dampers and constant-rate coil springs (variable-rate on 2300 models)

Roof Loads

- New Combo roof load should not exceed 100kg including the weight of the roof rack/carrier

Fuel Tank Capacity

- 61 litres (13.0 gallons) – Petrol models*
- 50 litres (10.9 gallons) – Diesel models

AdBlue Tank Capacity

- 17 Litres (3.7 gallons)

NEW COMBO CARGO PETROL ENGINES

| | |
|-----------------------|--|
| Engine | 1.2 (110PS) Turbo Start/Stop |
| Capacity | 1199cc |
| Maximum power | 110PS (81kW) @ 5500rpm |
| Maximum torque | 205Nm (151 lb.ft.) @ 1750rpm |
| Configuration | 3 cylinders, 4 valves per cylinder, double overhead camshafts |
| Fuel/induction system | Turbocharger. Variable Valve Timing. Direct fuel injection |
| Emission compliance | Euro 6D (6.3) |
| Service interval | 12,500 miles or 1 year (whichever occurs sooner) |

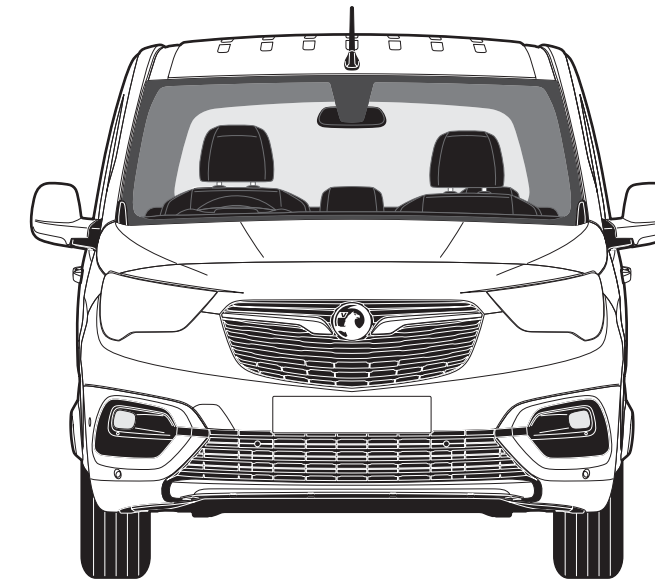
NEW COMBO CARGO DIESEL ENGINES

| Engine | 1.5 (75PS) Turbo D BlueInjection | 1.5 (100PS) Turbo D Start/Stop BlueInjection | 1.5 (130PS) Turbo D Start/Stop BlueInjection |
|-----------------------|---|--|--|
| Capacity | 1499cc | 1499cc | 1499cc |
| Maximum power | 75PS (55kW) @ 3500rpm | 100PS (75kW) @ 3500rpm | 130PS (96kW) @ 3750rpm |
| Maximum torque | 230Nm (170 lb.ft.) @ 1750rpm | 250Nm (184 lb.ft.) @ 1750rpm | 300Nm (221 lb.ft.) @ 1750rpm |
| Configuration | 4 cylinders, 4 valves per cylinder, double overhead camshafts | 4 cylinders, 4 valves per cylinder, double overhead camshafts | 4 cylinders, 4 valves per cylinder, double overhead camshafts |
| Fuel/induction system | Turbocharger with intercooler. Common rail fuel injection | Variable-nozzle turbocharger with electric switching. Common rail direct injection | Variable-nozzle turbocharger with electric switching. Common rail direct injection |
| Emission compliance | Euro 6d-TEMP (6.2) with Diesel Particulate Filter | Euro 6d-TEMP (6.2) with Diesel Particulate Filter | Euro 6d-TEMP (6.2) |
| Service interval | 25,000 miles or 2 years (whichever occurs sooner) | 25,000 miles or 2 years (whichever occurs sooner) | 25,000 miles or 2 years (whichever occurs sooner) |

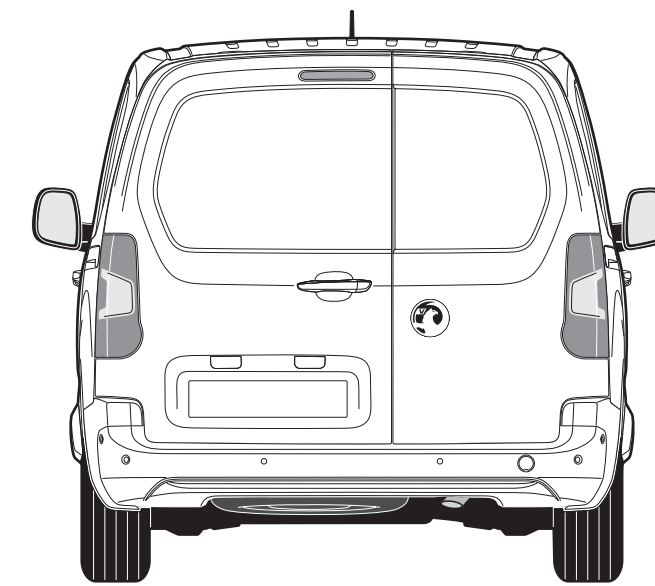
Vehicles with BlueInjection technology will need regular AdBlue® top-ups also between servicing requirements. An indicator integrated into the on-board computer will warn you when you need to top up. More information under www.vauxhall.co.uk/adblue. In accordance with regulations R (EC) No. 715/2007 and R (EC) No. 692/2008 (in the versions respectively applicable).

NEW COMBO CARGO DIMENSIONS

| Loadspace Dimensions | Panel Van | | Crew Van |
|--|---------------------------|---------------------------|---------------------------|
| | L1 | L2 | L2 |
| Load length | 1527 (60.1) – 1817 (71.5) | 1877 (73.9) – 2167 (85.3) | 1051 (41.4) – 2110 (83.1) |
| Load length – With ‘load through’ | 3090 (121.7) | 3440 (135.4) | 3050 (120.1) |
| Maximum load height | 1236 (48.7) | 1243 (48.9) | 1243 (48.9) |
| Load width – With nearside side-access door | 1630 (64.2) | - | - |
| Load width – With nearside and offside side-access doors | 1527 (60.1) | 1527 (60.1) | 1527 (60.1) |
| Maximum width between wheel arches | 1229 (48.4) | 1229 (48.4) | 1229 (48.4) |
| Loading height | 548 (21.6) – 610 (24.0) | 548 (21.6) – 610 (24.0) | 620 (24.4) |
| Maximum rear door aperture width | 1241 (48.9) | 1241 (48.9) | 1241 (48.9) |
| Maximum rear door aperture height | 1196 (47.1) | 1196 (47.1) | 1196 (47.1) |
| Maximum side-access aperture width | 675 (26.6) | 675 (26.6) | 759 (29.9) |
| Maximum side-access aperture height | 1072 (42.2) | 1072 (42.2) | 1072 (42.2) |
| Loadspace Volumes cu.m (cu.ft.) | | | |
| Panel Van | 3.3 (116.5) | 3.9 (137.7) | - |
| Panel Van – With ‘load through’ | 3.8 (134.2) | 4.4 (155.4) | - |
| Crew Van – With seats folded | - | - | 4.0 (141.2) |
| Crew Van – With seats up (to top of seats) | - | - | 1.8 (63.6) |
| Crew Van – With seats up (to roof) | - | - | 3.5 (123.6) |



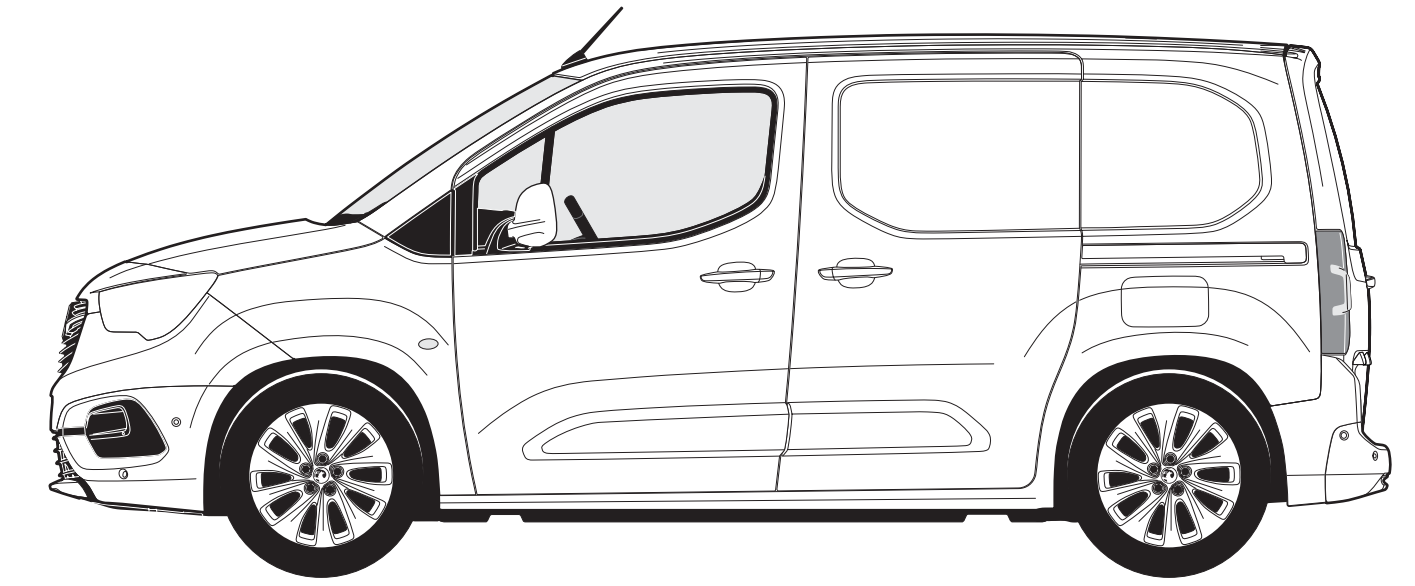
1848 (72.7) excluding door mirrors
2107 (83.0) including door mirrors



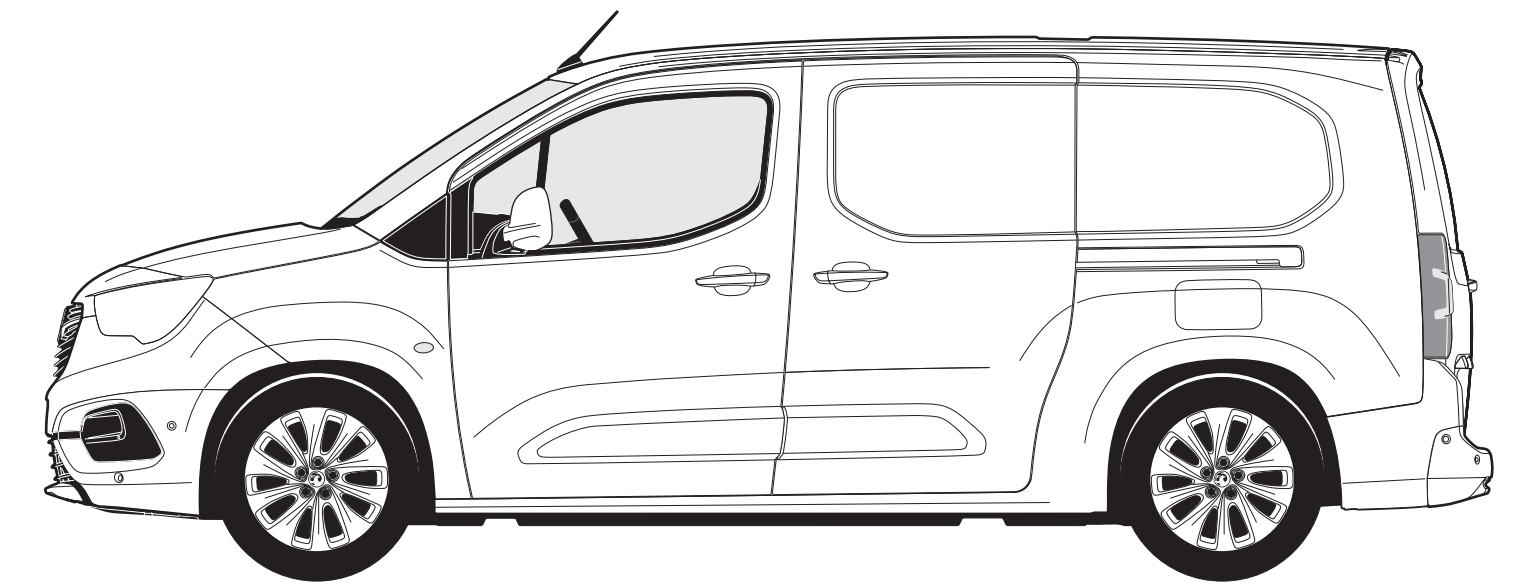
1848 (72.7) excluding door mirrors
2107 (83.0) including door mirrors

1796-1860 (70.7-73.2)

1812-1860 (71.3-73.2)



892 (35.1) 2785 (109.6) 726 (28.6)
4403 (173.3)



892 (35.1) 2975 (117.1) 886 (34.9)
4753 (187.1)

NEW COMBO CARGO ACCESSORIES

| SAFETY | Total (exc. VAT) |
|--------------------------------|------------------|
| Safety kit | £31 |
| First aid kit | £13 |
| Warning triangle (small) | £10 |
| Hi-vis vest | £8 |
| PRACTICAL | |
| Spare bulb kit | £23 |
| Stretch tow rope – 3 tonne | £30 |
| Smokers pack | £28 |
| PROTECTION | |
| Carpet mats (set of 2 – front) | £21 |
| Rubber mats (set of 2 – front) | £33 |
| Front parking sensors | £348 |
| Rear parking sensors | £304 |

| TRANSPORT SYSTEMS | Total exc. VAT) |
|--|-----------------|
| Roof base carrier ¹ (set of 2 bars) | £159 |
| Additional roof base carrier (1 bar) | £80 |
| Aluminium roof rack | |
| – L1 | £594 |
| – L2 | £639 |
| Steel roof rack | |
| – L1 | £481 |
| – L2 | £549 |
| Thule Ladder Tilt 311 | £425 |
| Thule Ladder holder 330 | £101 |
| Thule Ladder Roller 335 | £66 |
| Thule front load stop system (Side profiles) | £140 |
| Thule front load stop system 321 (Front) | £66 |
| Thule Ratchet Tie Down Strap | £22 |
| Thule Fold Down Load Stop 315 | £44 |
| Thule Square Bar Adapter | £31 |
| Roof carriers (requires base carrier) | |
| Bike roof carrier – Thule Freeride 532 | £65 |
| Surf board roof carrier – Thule 833 | £68 |
| Kayak roof carrier – Thule 837 | £143 |
| Ski roof carrier (up to 4 pairs) | |
| Thule 7324 | £134 |
| Ski roof carrier (up to 6 pairs) | |
| Thule 7326 | £158 |

| TRANSPORT SYSTEMS | Total (exc. VAT) |
|--|------------------|
| Hard shell roof boxes (requires base carrier) | |
| Thule Ocean 80 (320 litre/1330 x 860 x 370mm) | £128 |
| Thule Ocean 200 (450 litre/1750 x 820 x 450mm) | £269 |
| Thule Motion 800 (460 litre/2050 x 840 x 450mm) | from £386 |
| Thule Touring 200 (400 litre/1720 x 820 x 450mm) | £282 |
| Thule Touring 700 (430 litre/1960 x 780 x 430mm) | £320 |

Please note: Prices shown are fully fitted and painted, where applicable and include VAT. Please check with your local Vauxhall Retailer for details. It is advisable to ensure your insurance policy is adequate to cover additional fitted accessories. Prices correct at time of publication.

¹A dedicated T-Track adapter (Thule 697-4 or Thule 697-6) is required for the installation of specific roof boxes, contact your local Vauxhall Retailer for details.

NEW VIVARO RANGE HIGHLIGHTS



VX_VIV_29456



VX_VIV_29502



VX_VIV_29602

EDITION OTR from £22,918.33*

Standard features include:

- Electronic stability programme
- Traction control
- ABS with electronic brakeforce distribution
- Hill start assist
- Driver and front passengers' airbag
- Remote control central deadlocking
- Selective door locking
- Full-height steel bulkhead (Panel Van only)
- Six-way adjustable driver's seat with lumbar adjustment and armrest
- Dual front passengers' seat with underseat storage
- Multi-function trip computer
- Cruise control with speed limiter
- Vauxhall Connect box
- Digital radio/AM/FM stereo radio
- Bluetooth® connectivity
- Steering wheel mounted audio and phone controls
- Dual front passengers' bench seat
- Facia-mounted drinks holders
- Nearside and offside sliding side-access doors
- Twin solid rear doors
- Electrically operated front windows with one-touch facility
- Electrically adjustable/heated door mirrors
- 16-inch steel wheels
- Steel spare wheel

SPORTIVE OTR from £25,168.33*

Features over Edition:

- FlexCargo load-through bulkhead (Panel Van only)
- Remote control security alarm system
- Driver drowsiness alert (based on driving time)
- Fold-flat centre seat backrest providing flat work surface
- Cab soundproofing
- Multimedia infotainment unit
- 7-inch colour touchscreen
- Air conditioning
- Laminated acoustic windscreen
- Body-colour front and rear bumpers
- Chrome-effect front grille
- Front fog lights
- Rear parking distance sensors
- Rain-sensitive windscreen wipers
- Automatic lighting control
- LED daytime running lights
- Front cornering lights
- 16-inch steel wheels with full-diameter wheel trims
- Two-coat metallic paint

ELITE OTR from £27,268.33*

Features over Sportive:

- Multimedia Navi Pro satellite navigation system
- Lane departure warning
- Speed sign recognition
- Intelligent speed adaptation
- Side blind spot alert
- Electrically folding door mirrors
- Front and rear parking distance sensors
- 17-inch silver alloy wheels**

**Model illustrated with optional 17-inch diamond-cut alloy wheels.

EDITION



VX_VIV_29456

L1 PANEL VAN ON-THE-ROAD PRICES

| | OTR RRP exc. VAT |
|------------------------------|-------------------|
| 2700 1.5 (100PS) Turbo D S/S | £22,918.33 |
| 2700 1.5 (120PS) Turbo D S/S | £23,618.33 |
| 2900 1.5 (100PS) Turbo D S/S | £23,418.33 |
| 3100 2.0 (120PS) Turbo D S/S | £24,118.33 |

L2 PANEL VAN ON-THE-ROAD PRICES

| | |
|------------------------------|-------------------|
| 2900 1.5 (100PS) Turbo D S/S | £23,818.33 |
| 3100 2.0 (120PS) Turbo D S/S | £25,018.33 |

L1 DOUBLECAB ON-THE-ROAD PRICES

| | |
|------------------------------|-------------------|
| 3100 2.0 (120PS) Turbo D S/S | £26,648.33 |
|------------------------------|-------------------|

L2 DOUBLECAB ON-THE-ROAD PRICES

| | |
|------------------------------|-------------------|
| 3100 2.0 (120PS) Turbo D S/S | £27,548.33 |
|------------------------------|-------------------|

Please note: On-the-road recommended retail prices (RRP) include number plates and delivery to retailer of £583.33, 12 months' Vehicle Excise Duty (£260.00) and new vehicle first registration fee of £55.00. Excludes fuel and insurance.

S/S = Start/Stop.

FEATURES

Infotainment:

- AM/FM/DAB digital radio
- Bluetooth® audio streaming
- Bluetooth® mobile phone portal
- USB audio connection

Interior convenience/styling:

- Multi-function trip computer
- Cruise control with speed limiter
- Vauxhall Connect box
- Steering column mounted audio and phone controls
- Six-way adjustable driver's seat with lumbar adjustment and armrest
- Dual front passengers' bench seat with underseat storage
- Three-individually contoured rear seats – Doublecab models

Please note: Doublecab rear seating is not equipped with ISOFIX child seat mountings.

Exterior convenience/styling:

- Electrically adjustable/heated door mirrors
- Electrically operated front windows
- Nearside and offside sliding side-access doors
- Twin solid rear doors
- Side-protection mouldings

Safety/security:

- Driver and front passengers' airbags
- Driver and front passengers' curtain and side-impact airbags – Doublecab models
- Height-adjustable front lap and diagonal inertia-reel seatbelts
- Electronic stability programme with traction control
- Anti-lock braking system
- Full-height steel bulkhead – Panel Van
- Folding bulkhead with integrated steel-framed mesh – Doublecab models
- Hill start assist
- Daytime running lights
- Remote control central deadlocking
- Selective door locking
- Electronic engine deadlock immobiliser

SPORTIVE



VX_VIV_29502

L1 PANEL VAN ON-THE-ROAD PRICES

| | OTR RRP exc. VAT |
|--|--------------------------|
| 2700 1.5 (100PS) Turbo D S/S | £25,168.33 |
| 2700 1.5 (120PS) Turbo D S/S | £25,868.33 |
| 2900 1.5 (100PS) Turbo D S/S | £25,668.33 |
| 3100 2.0 (120PS) Turbo D S/S automatic | Available Q1 2020 |
| 3100 2.0 (120PS) Turbo D S/S | £26,368.33 |
| 3100 2.0 (150PS) Turbo D S/S | £27,468.33 |

L2 PANEL VAN ON-THE-ROAD PRICES

| | |
|------------------------------|-------------------|
| 2900 1.5 (100PS) Turbo D S/S | £26,068.33 |
| 3100 2.0 (120PS) Turbo D S/S | £27,268.33 |
| 3100 2.0 (150PS) Turbo D S/S | £28,368.33 |

L1 DOUBLECAB ON-THE-ROAD PRICES

| | |
|--|--------------------------|
| 3100 2.0 (120PS) Turbo D S/S | £28,368.33 |
| 3100 2.0 (120PS) Turbo D S/S automatic | Available Q1 2020 |
| 3100 2.0 (150PS) Turbo D S/S | £29,468.33 |

L2 DOUBLECAB ON-THE-ROAD PRICES

| | |
|------------------------------|-------------------|
| 3100 2.0 (120PS) Turbo D S/S | £29,268.33 |
|------------------------------|-------------------|

Please note: On-the-road recommended retail prices (RRP) include number plates and delivery to retailer of £583.33, 12 months' Vehicle Excise Duty (£260.00) and new vehicle first registration fee of £55.00. Excludes fuel and insurance.

S/S = Start/Stop.

FEATURES

Infotainment:

- Multimedia audio system
- 7-inch colour touchscreen
- AM/FM/DAB digital radio
- Bluetooth® audio streaming
- Bluetooth® mobile phone portal
- Apple CarPlay™/Android Auto™
- Bluetooth® mobile phone portal
- USB audio connection

Interior convenience/styling:

- Air conditioning
- FlexCargo load-through bulkhead
- Multi-function trip computer
- Cruise control with speed limiter
- Vauxhall Connect box
- Steering column mounted audio and phone controls
- Six-way adjustable driver's seat with lumbar adjustment and armrest
- Dual front passengers' bench seat with underseat storage
- Three-individually contoured rear seats – Doublecab models

Please note: Doublecab rear seating is not equipped with ISOFIX child seat mountings.

Exterior convenience/styling:

- Rear parking distance sensors
- Laminated acoustic windscreen
- Body-colour front and rear bumpers
- Body-colour side-protection mouldings
- Body-colour door handles and mirror housings
- Chrome-effect front grille
- Front fog lights
- Front cornering light
- High beam assist
- LED daytime running lights
- Rain-sensitive windscreen wipers
- Electrically adjustable/heated door mirrors
- Electrically operated front windows
- Nearside and offside sliding side-access doors
- Twin solid rear doors
- Side-protection mouldings

Safety/security:

- Driver and front passengers' airbags
- Driver and front passengers' curtain and side-impact airbags – Doublecab models
- Height-adjustable front lap and diagonal inertia-reel seatbelts
- Electronic stability programme with traction control
- Anti-lock braking system
- Full-height steel bulkhead – Panel Van
- Full-height ABS plastic bulkhead with window – Doublecab only
- Hill start assist
- Remote control central deadlocking
- Selective door locking
- Electronic engine deadlock immobiliser
- Remote control security alarm system

ELITE



VX_VIV_29602

L1 PANEL VAN ON-THE-ROAD PRICES

| | OTR RRP exc. VAT |
|--|-------------------|
| 2700 1.5 (120PS) Turbo D S/S | £27,268.33 |
| 3100 2.0 (120PS) Turbo D S/S | £27,768.33 |
| 3100 2.0 (150PS) Turbo D S/S | £28,868.33 |
| 3100 2.0 (180PS) Turbo D S/S automatic | £31,268.33 |

L2 PANEL VAN ON-THE-ROAD PRICES

| | |
|------------------------------|-------------------|
| 3100 2.0 (120PS) Turbo D S/S | £28,668.33 |
|------------------------------|-------------------|

L1 DOUBLECAB ON-THE-ROAD PRICES

| | |
|--|-------------------|
| 3100 2.0 (120PS) Turbo D S/S | £29,768.33 |
| 3100 2.0 (150PS) Turbo D S/S | £30,868.33 |
| 3000 2.0 (180PS) Turbo D S/S automatic | £33,268.33 |

L2 DOUBLECAB ON-THE-ROAD PRICES

| | |
|------------------------------|-------------------|
| 3100 2.0 (120PS) Turbo D S/S | £30,668.33 |
|------------------------------|-------------------|

Please note: On-the-road recommended retail prices (RRP) include number plates and delivery to retailer of £583.33, 12 months' Vehicle Excise Duty (£260.00) and new vehicle first registration fee of £55.00. Excludes fuel and insurance.

S/S = Start/Stop.

Model illustrated with optional 17-inch diamond-cut alloy wheels.

FEATURES

Infotainment:

- Multimedia Navi Pro
 - Fully integrated European sat nav system
 - 7-inch colour touchscreen
 - Voice control
 - AM/FM/DAB digital radio
 - Bluetooth® audio streaming
 - Bluetooth® mobile phone portal
 - USB audio connection
 - Second USB charging connection
 - Four speakers

Interior convenience/styling:

- Air conditioning
- FlexCargo load-through bulkhead
- Multi-function trip computer
- Cruise control with speed limiter
- Vauxhall Connect box
- Steering column mounted audio and phone controls
- Six-way adjustable driver's seat with lumbar adjustment and armrest
- Dual front passengers' bench seat with underseat storage
- Three-individually contoured rear seats
 - Doublecab models

Please note: Doublecab rear seating is not equipped with ISOFIX child seat mountings.

Exterior convenience/styling:

- Front and rear parking distance sensors
- Heat-reflective/acoustic windscreen
- Body-colour front and rear bumpers
- Chrome-effect front grille
- Front fog lights
- Front cornering light
- High beam assist
- LED daytime running lights
- Rain-sensitive windscreen wipers
- Electrically adjustable/heated door mirrors
- Electrically folding door mirrors
- Electrically operated front windows with one-touch facility
- Nearside and offside sliding side-access doors
- Twin solid rear doors
- Side-protection mouldings
- 17-inch silver alloy wheels

Safety/security:

- Lane departure warning
- Speed sign recognition with intelligent speed adaptation
- Side blind spot alert
- Driver drowsiness system
- Driver and front passengers' airbags
- Driver and front passengers' curtain and side-impact airbags – Doublecab model
- Height-adjustable front lap and diagonal inertia-reel seatbelts
- Electronic stability programme with traction control
- Anti-lock braking system
- Full-height steel bulkhead
- Full-height ABS plastic bulkhead with window
 - Doublecab models
- Hill start assist
- Daytime running lights
- Remote control central deadlocking
- Selective door locking
- Electronic engine deadlock immobiliser
- Remote control security alarm system

NEW VIVARO PANEL VAN PRICES/WEIGHTS

| | Pack Code | Minimum Mass (kg)* | Maximum indicative payload (kg)* | Gross Vehicle Weights (GVW) (kg) | Plated weights (kg) | | Towing weights (kg) Braked | Plated Gross Combination Weights (GCW) (kg) | Price (£) exc. VAT | On-the-road RRP (£) exc. VAT |
|---|-----------|--------------------|----------------------------------|----------------------------------|---------------------|-----------|----------------------------|---|--------------------|------------------------------|
| | | | | | Front axle | Rear axle | | | | |
| L1 EDITION PANEL VAN EURO 6D TEMP (6.2) | | | | | | | | | | |
| 2700 1.5 (100PS) Turbo D S/S | 8C05 iILA | 1660 | 975 | 2635 | 1500 | 1500 | 1400 | 4035 | 22,020.00 | 22,918.33 |
| 2700 1.5 (120PS) Turbo D S/S | 8C05 iNLB | 1581 | 1079 | 2660 | 1500 | 1500 | 1800 | 4460 | 22,720.00 | 23,618.33 |
| 2900 1.5 (100PS) Turbo D S/S | 8C05 iILC | 1660 | 1170 | 2830 | 1500 | 1800 | 1400 | 4230 | 22,520.00 | 23,418.33 |
| 3100 2.0 (120PS) Turbo D S/S | 8C05 MKPG | 1642 | 1458 | 3100 | 1500 | 1800 | 2500 | 5000 | 23,220.00 | 24,118.33 |
| L1 SPORTIVE PANEL VAN EURO 6D TEMP (6.2) | | | | | | | | | | |
| 2700 1.5 (100PS) Turbo D S/S | 8D05 iILA | 1660 | 975 | 2635 | 1500 | 1500 | 1400 | 4035 | 24,270.00 | 25,168.33 |
| 2700 1.5 (120PS) Turbo D S/S | 8D05 iNLA | 1581 | 1079 | 2660 | 1500 | 1500 | 1800 | 4460 | 24,970.00 | 25,868.33 |
| 2900 1.5 (100PS) Turbo D S/S | 8D05 iILC | 1660 | 1170 | 2830 | 1500 | 1800 | 1400 | 4230 | 24,770.00 | 25,668.33 |
| 3100 2.0 (120PS) Turbo D S/S automatic | 8D05 MH8C | 1770 | 1330 | 3100 | 1500 | 1800 | 1800 | 4900 | Available Q1 2020 | Available Q1 2020 |
| 3100 2.0 (120PS) Turbo D S/S | 8D05 MKPG | 1642 | 1458 | 3100 | 1500 | 1800 | 2500 | 5000 | 25,470.00 | 26,368.33 |
| 3100 2.0 (150PS) Turbo D S/S | 8D05 MLPG | 1642 | 1458 | 3100 | 1500 | 1800 | 2500 | 5000 | 26,570.00 | 27,468.33 |
| L1 ELITE PANEL VAN EURO 6D TEMP (6.2) | | | | | | | | | | |
| 2700 1.5 (120PS) Turbo D S/S | 8E05 iNLA | 1581 | 1079 | 2660 | 1500 | 1500 | 1800 | 4460 | 26,370.00 | 27,268.33 |
| 3100 2.0 (120PS) Turbo D S/S | 8E05 MKPG | 1642 | 1458 | 3100 | 1500 | 1800 | 2500 | 5000 | 26,870.00 | 27,768.33 |
| 3100 2.0 (150PS) Turbo D S/S | 8E05 MLPG | 1642 | 1458 | 3100 | 1500 | 1800 | 2500 | 5000 | 27,970.00 | 28,868.33 |
| 3100 2.0 (180PS) Turbo D S/S automatic | 8E05 MG8E | 1682 | 1418 | 3100 | 1500 | 1800 | 2500 | 4900 | 30,370.00 | 31,268.33 |

S/S = Start/Stop.

Please note: On-the-road recommended retail prices (RRP) include number plates and delivery to retailer of £583.33 exc. VAT (£700.00 inc. VAT), 12 months' Vehicle Excise Duty (£260.00) and new vehicle first registration fee of £55.00 (correct at time of publication). Excludes fuel and insurance.

All Vivaro models include BlueInjection. Vehicles with BlueInjection technology will need regular AdBlue® top-ups also between servicing requirements. An indicator integrated into the on-board computer will warn you when you need to top up. More information under www.vauxhall.co.uk/blueinjection. In accordance with regulations R (EC) No. 715/2007 and R (EC) No. 692/2008 (in the versions respectively applicable).

Gross plated weights (including axle weights) quoted on the vehicle plate are to UK plated weight specification and must never be exceeded. Unbraked towing weight 750kg – all models.

*Minimum Mass for standard vehicles include coolant, oil and 90% full fuel tank. They will vary according to the vehicle specification (including trim, options and accessories) with a corresponding variation in payload.

NEW VIVARO PANEL VAN PRICES/WEIGHTS

| | Pack Code | Minimum Mass (kg)* | Maximum indicative payload (kg)* | Gross Vehicle Weights (GVW) (kg) | Plated weights (kg) | | Towing weights (kg) Braked | Plated Gross Combination Weights (GCW) (kg) | Price (£) exc. VAT | On-the-road RRP (£) exc. VAT |
|---|-----------|--------------------|----------------------------------|----------------------------------|---------------------|-----------|----------------------------|---|--------------------|------------------------------|
| | | | | | Front axle | Rear axle | | | | |
| L2 EDITION PANEL VAN EURO 6D TEMP (6.2) | | | | | | | | | | |
| 2900 1.5 (100PS) Turbo D S/S | 8C05 iILD | 1770 | 1060 | 2830 | 1500 | 1800 | 1400 | 4230 | 22,920.00 | 23,818.33 |
| 3100 2.0 (120PS) Turbo D S/S | 8C05 MKPF | 1685 | 1415 | 3100 | 1500 | 1800 | 2500 | 5000 | 24,120.00 | 25,018.33 |
| L2 SPORTIVE PANEL VAN EURO 6D TEMP (6.2) | | | | | | | | | | |
| 2900 1.5 (100PS) Turbo D S/S | 8D05 iILF | 1770 | 1060 | 2830 | 1500 | 1800 | 1400 | 4230 | 25,170.00 | 26,068.33 |
| 3100 2.0 (120PS) Turbo D S/S | 8D05 MKPF | 1685 | 1415 | 3100 | 1500 | 1800 | 2500 | 5000 | 26,370.00 | 27,268.33 |
| 3100 2.0 (150PS) Turbo D S/S | 8D05 MLPF | 1685 | 1415 | 3100 | 1500 | 1800 | 2500 | 5000 | 27,470.00 | 28,368.33 |
| L2 ELITE PANEL VAN EURO 6D TEMP (6.2) | | | | | | | | | | |
| 3100 2.0 (120PS) Turbo D S/S | 8E05 MKPF | 1685 | 1415 | 3100 | 1500 | 1800 | 2500 | 5000 | 27,770.00 | 28,668.33 |

S/S = Start/Stop.

Please note: On-the-road recommended retail prices (RRP) include number plates and delivery to retailer of £583.33 exc. VAT (£700.00 inc. VAT), 12 months' Vehicle Excise Duty (£260.00) and new vehicle first registration fee of £55.00 (correct at time of publication). Excludes fuel and insurance.

All Vivaro models include BlueInjection. Vehicles with BlueInjection technology will need regular AdBlue® top-ups also between servicing requirements. An indicator integrated into the on-board computer will warn you when you need to top up. More information under www.vauxhall.co.uk/blueinjection. In accordance with regulations R (EC) No. 715/2007 and R (EC) No. 692/2008 (in the versions respectively applicable).

Gross plated weights (including axle weights) quoted on the vehicle plate are to UK plated weight specification and must never be exceeded. Unbraked towing weight 750kg – all models.

*Minimum Mass for standard vehicles include coolant, oil and 90% full fuel tank. They will vary according to the vehicle specification (including trim, options and accessories) with a corresponding variation in payload. .

NEW VIVARO DOUBLECAB PRICES/WEIGHTS

| | Pack Code | Minimum Mass (kg)* | Maximum indicative payload (kg)* | Gross Vehicle Weights (GVW) (kg) | Plated weights (kg) | | Towing weights (kg) Braked | Plated Gross Combination Weights (GCW) (kg) | Price (£) exc. VAT | On-the-road RRP (£) exc. VAT |
|---|-----------|--------------------|----------------------------------|----------------------------------|---------------------|-----------|----------------------------|---|--------------------|------------------------------|
| | | | | | Front axle | Rear axle | | | | |
| L1 EDITION DOUBLECAB EURO 6D TEMP (6.2) | | | | | | | | | | |
| 3100 2.0 (120PS) Turbo D S/S | 8CF5 MKPG | 1752 | 1308 | 3060 | 1500 | 1800 | 2500 | 5000 | 25,750.00 | 26,648.33 |
| L1 SPORTIVE DOUBLECAB EURO 6D TEMP (6.2) | | | | | | | | | | |
| 3100 2.0 (120PS) Turbo D S/S | 8DC5 MKPG | 1752 | 1308 | 3060 | 1500 | 1800 | 2500 | 5000 | 27,470.00 | 28,368.33 |
| 3100 2.0 (120PS) Turbo D S/S automatic | 8DC5 MH8C | 1770 | 1330 | 3100 | 1500 | 1800 | 1800 | 4900 | Available Q1 2020 | Available Q1 2020 |
| 3100 2.0 (150PS) Turbo D S/S | 8DC5 MLPG | 1752 | 1308 | 3060 | 1500 | 1800 | 2500 | 5000 | 28,570.00 | 29,468.33 |
| L1 ELITE DOUBLECAB EURO 6D TEMP (6.2) | | | | | | | | | | |
| 3100 2.0 (120PS) Turbo D S/S | 8EC5 MKPG | 1752 | 1308 | 3060 | 1500 | 1800 | 2500 | 5000 | 28,870.00 | 29,768.33 |
| 3100 2.0 (150PS) Turbo D S/S | 8EC5 MLPG | 1752 | 1308 | 3060 | 1500 | 1800 | 2500 | 5000 | 29,970.00 | 30,868.33 |
| 3000 2.0 (180PS) Turbo D S/S automatic | 8EC5 MG8E | 1765 | 1235 | 3000 | 1500 | 1800 | 2000 | 4900 | 32,370.00 | 33,268.33 |
| L2 EDITION DOUBLECAB EURO 6D TEMP (6.2) | | | | | | | | | | |
| 3100 2.0 (120PS) Turbo D S/S | 8CF5 MKPF | 1770 | 1170 | 2940 | 1500 | 1800 | 2500 | 5000 | 26,650.00 | 27,548.33 |
| L2 SPORTIVE DOUBLECAB EURO 6D TEMP (6.2) | | | | | | | | | | |
| 3100 2.0 (120PS) Turbo D S/S | 8DC5 MKPF | 1770 | 1170 | 2940 | 1500 | 1800 | 2500 | 5000 | 28,370.00 | 29,268.33 |
| L2 ELITE DOUBLECAB EURO 6D TEMP (6.2) | | | | | | | | | | |
| 3100 2.0 (120PS) Turbo D S/S | 8EC5 MKPF | 1770 | 1170 | 2940 | 1500 | 1800 | 2500 | 5000 | 29,770.00 | 30,668.33 |

S/S = Start/Stop.

Please note: On-the-road recommended retail prices (RRP) include number plates and delivery to retailer of £583.33 exc. VAT (£700.00 inc. VAT), 12 months' Vehicle Excise Duty (£260.00) and new vehicle first registration fee of £55.00 (correct at time of publication). Excludes fuel and insurance.

All Vivaro models include BlueInjection. Vehicles with BlueInjection technology will need regular AdBlue® top-ups also between servicing requirements. An indicator integrated into the on-board computer will warn you when you need to top up. More information under www.vauxhall.co.uk/blueinjection. In accordance with regulations R (EC) No. 715/2007 and R (EC) No. 692/2008 (in the versions respectively applicable).

Gross plated weights (including axle weights) quoted on the vehicle plate are to UK plated weight specification and must never be exceeded. Unbraked towing weight 750kg – all models.

*Minimum Mass for standard vehicles include coolant, oil and 90% full fuel tank. They will vary according to the vehicle specification (including trim, options and accessories) with a corresponding variation in payload.

NEW VIVARO PLATFORM CAB PRICES/WEIGHTS

| | Pack Code | Provisional* | | Gross Vehicle Weights (GVW) (kg) | Plated weights (kg) | | Towing weights (kg) Braked | Plated Gross Combination Weights (GCW) (kg) | Price (£) exc. VAT | On-the-road RRP (£) exc. VAT |
|---|-----------|---------------------|----------------------------------|----------------------------------|---------------------|-----------|----------------------------|---|--------------------|------------------------------|
| | | Minimum Mass (kg)** | Maximum indicative payload (kg)* | | Front axle | Rear axle | | | | |
| L1 EDITION PLATFORM CAB EURO 6D TEMP (6.2) | | | | | | | | | | |
| 3100 2.0 (120PS) Turbo D S/S | 8C03 MKPG | 1483 | 1617 | 3100 | 1500 | 1800 | N/A | 3100 | 22,325.00 | 23,223.33 |

*All Minimum Mass and Payload measurements are provisional and subject to change.

S/S = Start/Stop.

Please note: On-the-road recommended retail prices (RRP) include number plates and delivery to retailer of £583.33 exc. VAT (£700.00 inc. VAT), 12 months' Vehicle Excise Duty (£260.00) and new vehicle first registration fee of £55.00 (correct at time of publication). Excludes fuel and insurance.

All Vivaro models include BlueInjection. Vehicles with BlueInjection technology will need regular AdBlue® top-ups also between servicing requirements. An indicator integrated into the on-board computer will warn you when you need to top up. More information under www.vauxhall.co.uk/blueinjection. In accordance with regulations R (EC) No. 715/2007 and R (EC) No. 692/2008 (in the versions respectively applicable).

Gross plated weights (including axle weights) quoted on the vehicle plate are to UK plated weight specification and must never be exceeded.

**Minimum Mass for standard vehicles include coolant, oil and 90% full fuel tank. They will vary according to the vehicle specification (including trim, options and accessories) with a corresponding variation in payload.

NEW VIVARO FUEL ECONOMY/EMISSIONS

| | NEDC Fuel economy mpg (litres/100km) [#] | | | | WLTP Fuel economy mpg (litres/100km) ^{##} | | | |
|---|---|-------------|------------|-------------------------------------|--|---------------|--|-----|
| | Urban | Extra-urban | Combined | CO ₂ (g/km) [#] | Combined Low | Combined High | CO ₂ (g/km) ^{##} High | Low |
| L1 EDITION PANEL VAN EURO 6D TEMP (6.2) | | | | | | | | |
| 2700 1.5 (100PS) Turbo D S/S | 52.3 (5.4) | 60.1 (4.7) | 57.6 (4.9) | 130 | 38.1 (7.4) | 44.8 (6.3) | 194 | 165 |
| 2700 1.5 (120PS) Turbo D S/S | 56.5 (5.0) | 61.4 (4.6) | 60.1 (4.7) | 125 | 40.9 (6.9) | 47.0 (6.0) | 181 | 159 |
| 2900 1.5 (100PS) Turbo D S/S | 52.3 (5.4) | 60.1 (4.7) | 56.5 (5.0) | 131 | 38.2 (7.4) | 44.8 (6.3) | 194 | 165 |
| 3100 2.0 (120PS) Turbo D S/S | 46.3 (6.1) | 57.6 (4.9) | 52.3 (5.4) | 144 | 35.3 (8.0) | 40.3 (7.0) | 211 | 183 |
| L1 SPORTIVE PANEL VAN EURO 6D TEMP (6.2) | | | | | | | | |
| 2700 1.5 (100PS) Turbo D S/S | 52.3 (5.4) | 60.1 (4.7) | 57.6 (4.9) | 130 | 38.1 (7.4) | 44.8 (6.3) | 194 | 165 |
| 2700 1.5 (120PS) Turbo D S/S | 56.5 (5.0) | 61.4 (4.6) | 60.1 (4.7) | 125 | 40.9 (6.9) | 47.0 (6.0) | 181 | 159 |
| 2900 1.5 (100PS) Turbo D S/S | 52.3 (5.4) | 60.1 (4.7) | 56.4 (5.0) | 131 | 38.1 (7.4) | 44.8 (6.3) | 194 | 165 |
| 3100 2.0 (120PS) Turbo D S/S automatic | 46.3 (6.1) | 55.3 (5.1) | 52.3 (5.4) | 144 | 34.4 (8.2) | 39.8 (7.1) | 215 | 187 |
| 3100 2.0 (120PS) Turbo D S/S | 46.3 (6.1) | 57.6 (4.9) | 52.3 (5.4) | 142 | 35.3 (8.0) | 40.3 (7.0) | 211 | 183 |
| 3100 2.0 (150PS) Turbo D S/S | 48.7 (5.8) | 57.6 (4.9) | 54.3 (5.2) | 138 | 36.2 (7.8) | 41.5 (6.8) | 206 | 180 |
| L1 ELITE PANEL VAN EURO 6D TEMP (6.2) | | | | | | | | |
| 2700 1.5 (120PS) Turbo D S/S | 55.4 (5.1) | 60.1 (4.7) | 57.6 (4.9) | 125 | 40.9 (6.9) | 47.0 (6.0) | 181 | 159 |
| 3100 2.0 (120PS) Turbo D S/S | 46.3 (6.1) | 57.6 (4.9) | 52.3 (5.4) | 142 | 35.3 (8.0) | 40.3 (7.0) | 211 | 183 |
| 3100 2.0 (150PS) Turbo D S/S | 47.9 (5.9) | 56.4 (5.0) | 52.3 (5.4) | 138 | 36.2 (7.8) | 41.5 (6.8) | 206 | 180 |
| 3100 2.0 (180PS) Turbo D S/S automatic | 45.5 (6.2) | 55.3 (5.1) | 51.3 (5.5) | 145 | 35.3 (8.0) | 40.9 (6.9) | 209 | 183 |

S/S = Start/Stop.

For fuel economy and CO₂ two sets of data are provided. All engines are validated to emissions standard Euro 6D Temp (6.2) which uses the newer WLTP cycle. This cycle is intended to be a closer representation to economy achieved in the real world and is included for this transparency. NEDC figures are not from the older cycle but in fact are a derived back-correlation calculation from the WLTP test data. Some systems and protocols such as the 2020 CO₂ target will use this figure, and hence it is included for this, and also to enable comparison to outgoing models.

[#]Fuel consumption and CO₂ emission data are determined using the Worldwide harmonised Light vehicles Test Procedure (WLTP), and the relevant values are translated back to allow the comparability into NEDC, according to regulations R (EC) No. 715/2007, R (EU) No. 2017/1153 and R (EU) No. 2017/1151. The values do not take into account in particular use and driving conditions, equipment or options and may vary depending on the format of tyres. For more information on official fuel consumption and CO₂ emission values, please read the guidelines at <http://vanfueldata.dft.gov.uk/>

^{##}Fuel consumption and CO₂ emission data are determined according to the WLTP test cycle. Full data relating to WLTP test cycles can be found at: www.vauxhall.co.uk/wltp

NEW VIVARO FUEL ECONOMY/EMISSIONS

| | NEDC Fuel economy mpg (litres/100km)# | | | | WLTP Fuel economy mpg (litres/100km)## | | | |
|---|---------------------------------------|-------------|------------|-------------------------|--|---------------|--------------------------|-----|
| | Urban | Extra-urban | Combined | CO ₂ (g/km)# | Combined Low | Combined High | CO ₂ (g/km)## | |
| | | | | | | | High | Low |
| L2 EDITION PANEL VAN EURO 6D TEMP (6.2) | | | | | | | | |
| 2900 1.5 (100PS) Turbo D S/S | 50.4 (5.6) | 57.6 (4.9) | 55.3 (5.1) | 135 | 38.1 (7.4) | 44.8 (6.3) | 194 | 165 |
| 3100 2.0 (120PS) Turbo D S/S | 44.1 (6.4) | 54.3 (5.2) | 50.4 (5.6) | 148 | 35.3 (8.0) | 40.3 (7.0) | 211 | 183 |
| L2 SPORTIVE PANEL VAN EURO 6D TEMP (6.2) | | | | | | | | |
| 2900 1.5 (100PS) Turbo D S/S | 50.4 (5.6) | 57.6 (4.9) | 55.3 (5.1) | 135 | 38.1 (7.4) | 44.8 (6.3) | 194 | 165 |
| 3100 2.0 (120PS) Turbo D S/S | 44.1 (6.4) | 54.3 (5.2) | 50.4 (5.6) | 148 | 35.3 (8.0) | 40.3 (7.0) | 211 | 183 |
| 3100 2.0 (150PS) Turbo D S/S | 48.7 (5.8) | 55.3 (5.1) | 52.3 (5.4) | 143 | 36.2 (7.8) | 41.5 (6.8) | 206 | 180 |
| L2 ELITE PANEL VAN EURO 6D TEMP (6.2) | | | | | | | | |
| 3100 2.0 (120PS) Turbo D S/S | 44.1 (6.4) | 54.3 (5.2) | 50.4 (5.6) | 148 | 35.3 (8.0) | 40.3 (7.0) | 211 | 183 |

S/S = Start/Stop.

For fuel economy and CO₂ two sets of data are provided. All engines are validated to emissions standard Euro 6D Temp (6.2) which uses the newer WLTP cycle. This cycle is intended to be a closer representation to economy achieved in the real world and is included for this transparency. NEDC figures are not from the older cycle but in fact are a derived back-correlation calculation from the WLTP test data. Some systems and protocols such as the 2020 CO₂ target will use this figure, and hence it is included for this, and also to enable comparison to outgoing models.

#Fuel consumption and CO₂ emission data are determined using the Worldwide harmonised Light vehicles Test Procedure (WLTP), and the relevant values are translated back to allow the comparability into NEDC, according to regulations R (EC) No. 715/2007, R (EU) No. 2017/1153 and R (EU) No. 2017/1151. The values do not take into account in particular use and driving conditions, equipment or options and may vary depending on the format of tyres. For more information on official fuel consumption and CO₂ emission values, please read the guidelines at <http://vanfueldata.dft.gov.uk/>

##Fuel consumption and CO₂ emission data are determined according to the WLTP test cycle. Full data relating to WLTP test cycles can be found at: www.vauxhall.co.uk/wltp

NEW VIVARO FUEL ECONOMY/EMISSIONS

| | NEDC Fuel economy mpg (litres/100km) [#] | | | | WLTP Fuel economy mpg (litres/100km) ^{##} | | | |
|---|---|-------------|------------|-------------------------------------|--|---------------|--|-----|
| | Urban | Extra-urban | Combined | CO ₂ (g/km) [#] | Combined Low | Combined High | CO ₂ (g/km) ^{##} High | Low |
| L1 EDITION DOUBLECAB EURO 6D TEMP (6.2) | | | | | | | | |
| 3100 2.0 (120PS) Turbo D S/S | 44.1 (6.4) | 55.3 (5.1) | 50.4 (5.6) | 148 | 35.3 (8.0) | 40.3 (7.0) | 211 | 183 |
| L1 SPORTIVE DOUBLECAB EURO 6D TEMP (6.2) | | | | | | | | |
| 3100 2.0 (120PS) Turbo D S/S | 44.1 (6.4) | 55.3 (5.1) | 50.4 (5.6) | 148 | 35.3 (8.0) | 40.3 (7.0) | 211 | 183 |
| 3100 2.0 (120PS) Turbo D S/S automatic | 46.3 (6.1) | 55.3 (5.1) | 52.3 (5.4) | 144 | 34.4 (8.2) | 39.8 (7.1) | 215 | 187 |
| 3100 2.0 (150PS) Turbo D S/S | 48.7 (5.8) | 55.3 (5.1) | 52.3 (5.4) | 142 | 36.2 (7.8) | 41.5 (6.8) | 206 | 180 |
| L1 ELITE DOUBLECAB EURO 6D TEMP (6.2) | | | | | | | | |
| 3100 2.0 (120PS) Turbo D S/S | 44.1 (6.4) | 55.3 (5.1) | 50.4 (5.6) | 148 | 35.3 (8.0) | 40.3 (7.0) | 211 | 183 |
| 3100 2.0 (150PS) Turbo D S/S | 45.6 (6.2) | 54.3 (5.2) | 51.3 (5.5) | 142 | 36.2 (7.8) | 41.5 (6.8) | 206 | 180 |
| 3000 2.0 (180PS) Turbo D S/S automatic | 45.6 (6.2) | 55.3 (5.1) | 51.3 (5.5) | 145 | 35.3 (8.0) | 40.9 (6.9) | 209 | 183 |
| L2 EDITION DOUBLECAB EURO 6D TEMP (6.2) | | | | | | | | |
| 3100 2.0 (120PS) Turbo D S/S | 44.1 (6.4) | 54.3 (5.2) | 50.4 (5.6) | 148 | 35.3 (8.0) | 40.3 (7.0) | 211 | 183 |
| L2 SPORTIVE DOUBLECAB EURO 6D TEMP (6.2) | | | | | | | | |
| 3100 2.0 (120PS) Turbo D S/S | 44.1 (6.4) | 54.3 (5.2) | 50.4 (5.6) | 148 | 35.3 (8.0) | 40.3 (7.0) | 211 | 183 |
| L2 ELITE DOUBLECAB EURO 6D TEMP (6.2) | | | | | | | | |
| 3100 2.0 (120PS) Turbo D S/S | 44.1 (6.4) | 54.3 (5.2) | 50.4 (5.6) | 148 | 35.3 (8.0) | 40.3 (7.0) | 211 | 183 |

S/S = Start/Stop.

For fuel economy and CO₂ two sets of data are provided. All engines are validated to emissions standard Euro 6D Temp (6.2) which uses the newer WLTP cycle. This cycle is intended to be a closer representation to economy achieved in the real world and is included for this transparency. NEDC figures are not from the older cycle but in fact are a derived back-correlation calculation from the WLTP test data. Some systems and protocols such as the 2020 CO₂ target will use this figure, and hence it is included for this, and also to enable comparison to outgoing models.

[#]Fuel consumption and CO₂ emission data are determined using the Worldwide harmonised Light vehicles Test Procedure (WLTP), and the relevant values are translated back to allow the comparability into NEDC, according to regulations R (EC) No. 715/2007, R (EU) No. 2017/1153 and R (EU) No. 2017/1151. The values do not take into account in particular use and driving conditions, equipment or options and may vary depending on the format of tyres. For more information on official fuel consumption and CO₂ emission values, please read the guidelines at <http://vanfueldata.dft.gov.uk/>

^{##}Fuel consumption and CO₂ emission data are determined according to the WLTP test cycle. Full data relating to WLTP test cycles can be found at: www.vauxhall.co.uk/wltp

NEW VIVARO FUEL ECONOMY/EMISSIONS

| | NEDC Fuel economy mpg (litres/100km) [#] | | | | WLTP Fuel economy mpg (litres/100km) ^{##} | | CO ₂ (g/km) ^{##} | |
|---|---|-------------|----------|-------------------------------------|--|---------------|--------------------------------------|-----|
| | Urban | Extra-urban | Combined | CO ₂ (g/km) [#] | Combined Low | Combined High | High | Low |
| L1 EDITION PLATFORM CAB EURO 6D TEMP (6.2) | | | | | | | | |
| 3100 2.0 (120PS) Turbo D S/S | tbc | tbc | tbc | 142-152 | 35.3 (8.0) | 40.3 (7.0) | 211 | 183 |

S/S = Start/Stop.

For fuel economy and CO₂ two sets of data are provided. All engines are validated to emissions standard Euro 6D Temp (6.2) which uses the newer WLTP cycle. This cycle is intended to be a closer representation to economy achieved in the real world and is included for this transparency. NEDC figures are not from the older cycle but in fact are a derived back-correlation calculation from the WLTP test data. Some systems and protocols such as the 2020 CO₂ target will use this figure, and hence it is included for this, and also to enable comparison to outgoing models.

[#]Fuel consumption and CO₂ emission data are determined using the Worldwide harmonised Light vehicles Test Procedure (WLTP), and the relevant values are translated back to allow the comparability into NEDC, according to regulations R (EC) No. 715/2007, R (EU) No. 2017/1153 and R (EU) No. 2017/1151. The values do not take into account in particular use and driving conditions, equipment or options and may vary depending on the format of tyres. For more information on official fuel consumption and CO₂ emission values, please read the guidelines at <http://vanfueldata.dft.gov.uk/>

^{##}Fuel consumption and CO₂ emission data are determined according to the WLTP test cycle. Full data relating to WLTP test cycles can be found at: www.vauxhall.co.uk/wltp

*Provisional data.

NEW VIVARO FEATURES/OPTIONS

SAFETY

| | Option code | Edition | Sportive | Elite | Price (£) exc. VAT | Price (£) inc. VAT |
|---|-------------|---------|----------|-------|--------------------|--------------------|
| Driver Safety Pack <ul style="list-style-type: none"> • Cruise control with intelligent speed adaptation • Forward collision alert with automatic emergency braking and pedestrian detection • 3.5-inch colour information display • Head-up display – Elite models. Only available in conjunction with Multimedia Navi Pro on Sportive models. | B26 | | ○ | ○ | 990.00 | 1,188.00 |
| Airbag <p>Driver and front passengers airbag:</p> <ul style="list-style-type: none"> • Front passengers' airbag with deactivation switch | | ● | ● | ● | | |
| <ul style="list-style-type: none"> • Driver and front passengers' curtain and side-impact airbags, front passenger's airbag with deactivation switch – Standard on Doublecab models. Not available on Platform Cab models. | AYO | ○ | ○ | ○ | 150.00 | 180.00 |
| Stability <p>Electronic Stability Programme-plus (ESP-plus) with traction control – Works in conjunction with the vehicle's electronic braking and engine systems to keep the vehicle stable in many different situations. ESP monitors a variety of inputs to determine when the vehicle starts to lose traction, it can then immediately respond by varying the brake pressure between up to three wheels and adjust the engine output to help correct the loss of traction and improve stability.</p> | | ● | ● | ● | | |
| Tyre pressure <ul style="list-style-type: none"> • Tyre pressure monitoring system – Not available when the Worksite Pack option is specified. | UJO | ○ | ○ | ○ | 50.00 | 60.00 |
| Braking <p>Four-channel Anti-lock Braking System (ABS) – Prevents the vehicle's wheels from locking up under heavy braking by momentarily reducing brake pressure at the appropriate wheel, ensuring that you can maintain control of the steering.</p> <p>Emergency brake assist – When emergency braking is detected the vehicle automatically applies the maximum possible braking assistance.</p> <p>Electronic brakeforce distribution – Automatically apportions the optimum braking force to each wheel.</p> <p>Hill start assist – Briefly maintains rear brake pressure to stop the vehicle rolling back on an incline.</p> | | ● | ● | ● | | |

● = Standard equipment. ○ = Optional at extra cost.

NEW VIVARO FEATURES/OPTIONS

SAFETY CONTINUED

| | Option code | Edition | Sportive | Elite | Price (£) exc. VAT | Price (£) inc. VAT |
|--|-------------|---------|----------|-------|--------------------|--------------------|
| Bulkhead • Full-height steel bulkhead without window – Standard on Panel Van. | | ● | | | | |
| • Full-height ABS plastic bulkhead with window – Doublecab only. | | | ● | ● | | |
| • Folding bulkhead with integrated steel-framed mesh – Doublecab only. | | ● | | | | |
| • Full-height steel bulkhead with window – Panel Van. | AX9 | ○ | ○ | ○ | 150.00 | 180.00 |
| FlexCargo load-through bulkhead – Panel Van only • Dual front passengers' seat • Load-through bulkhead | ATM | ○ | ● | ● | tbc | tbc |

SECURITY

| | | | | | | |
|---|-----|---|---|---|--------|--------|
| Features • Electronic engine deadlock immobiliser • Steering column lock • Lockable fuel filler cap • Anti-theft spare wheel cradle | | ● | ● | ● | | |
| Remote control door locking (features depending on body type) • Remote control door locking • Two keys with integral remote • Door deadlocks • Selective door locking | | ● | ● | ● | | |
| Keyless open and start • Keyless open and start | ATH | | ○ | ○ | 200.00 | 240.00 |
| Security alarm system • Engine compartment protection • Ultrasonic detectors in load area • Siren | PS6 | ○ | ● | ● | 170.00 | 204.00 |

● = Standard equipment. ○ = Optional at extra cost.

NEW VIVARO FEATURES/OPTIONS

DRIVER ASSISTANCE

| | Option code | Edition | Sportive | Elite | Price (£) exc. VAT | Price (£) inc. VAT |
|---|-------------|---------|----------|-------|--------------------|--------------------|
| Visibility Pack • Laminated acoustic windscreen • Rain-sensitive windscreen wipers • Automatic lighting control | Y74 | ○ | ● | ● | 200.00 | 240.00 |
| Driver Assistance Pack • Lane keep assist with lane departure warning • Speed limit information/Intelligent speed adaptation • High beam assist • Driver drowsiness system • White text Instrument panel | E9A | | | ● | | |
| Multi-function trip computer • Trip odometer • Vehicle range based on remaining fuel • Average speed • Average fuel economy • Instantaneous fuel economy • Driving time | | ● | ● | ● | | |
| Parking assistance • Rear parking distance sensors | UD7 | ○ | ● | | 200.00 | 240.00 |
| • Front and rear parking distance sensors • Side blind spot alert • Front fog lights • Electrically folding door mirrors | UD5 | ○ | ○ | ● | 400.00 | 480.00 |
| • Rear-view camera – requires UD7 on Edition models. | UVC | ○ | | | 400.00 | 480.00 |
| • Panoramic rear-view camera – requires UD5 on Sportive models. | UL3 | | ○ | ○ | 700.00 | 840.00 |
| Cruise control, speed limiter | K34 | ● | ● | ● | | |
| Instrumentation • Speedometer • Rev counter • Fuel gauge with low fuel warning light • Fuel economy gauge • Coolant temperature warning light | | ● | ● | ● | | |

● = Standard equipment. ○ = Optional at extra cost.

NEW VIVARO FEATURES/OPTIONS

DRIVER ASSISTANCE CONTINUED

| | Option code | Edition | Sportive | Elite | Price (£) exc. VAT | Price (£) inc. VAT |
|---|-------------|---------|----------|-------|--------------------|--------------------|
| <p>IntelliGrip Pack</p> <p>For those drivers who regularly take their vehicle off road, this pack helps the driver cope with whatever conditions they encounter. IntelliGrip traction control is designed to increase grip in difficult conditions without the additional weight of a conventional four-wheel drive system. It's an innovative grip control system that provides improved traction on certain terrain and conditions through a combination of optimised torque distribution and limited wheel spin, managed through the electronic stability programme.</p> <ul style="list-style-type: none"> • IntelliGrip: A choice of five selectable modes to suit the driving conditions: ESP on, ESP off, snow, mud, sand - Only available when 17-inch wheels are specified for Edition/Sportive models. | H4H | ○ | ○ | ○ | 460.00 | 552.00 |
| <p>Worksite Pack</p> <ul style="list-style-type: none"> • Underride protection • Increased ground clearance (+25mm) - Not available on 2700 models or 1.5 (120PS) Turbo D models. | HMG | ○ | ○ | | 375.00 | 450.00 |

COMFORT

| | | | | | | |
|---|--|---|---|---|--|--|
| <p>Comfort</p> <ul style="list-style-type: none"> • Reach and rake-adjustable steering wheel • Facia-mounted gear lever • Floor-mounted handbrake lever • Inertia-reel lap and diagonal seatbelts • Height-adjustable outer front seatbelts • Cab headliner – Excludes Doublecab Edition models. | | ● | ● | ● | | |
|---|--|---|---|---|--|--|

● = Standard equipment. ○ = Optional at extra cost.

NEW VIVARO FEATURES/OPTIONS

SEATING

| | Option code | Edition | Sportive | Elite | Price (£) exc. VAT | Price (£) inc. VAT |
|--|-------------|---------|----------|-------|-----------------------|--------------------|
| Driver's seat • Height • Reach • Backrest recline • Lumbar adjustment • Driver's seat armrest • Padded head restraint | | ● | ● | ● | | |
| Dual front passengers' seat with underseat storage • Fixed position bench seat and backrest • Height-adjustable front padded head restraints | | ● | ● | ● | | |
| Single front passenger's seat • Reach • Backrest recline • Padded head restraint | AE1 | N/C | | | No-cost option | |
| • Reach • Backrest recline • Padded head restraint • Folding backrest • Passenger's seat armrest | AQR | | N/C | N/C | No-cost option | |

REAR SEATING – DOUBLECAB

| | | | | | | |
|--|--|---|---|---|--|--|
| Doublecab second-row seating • Three-individually contoured rear seats – Not equipped with ISOFIX child seat mountings. • Inertia-reel lap and diagonal seatbelts • Folding seat/upper mesh bulkhead • Padded head restraints | | ● | | | | |
| • Three-individually contoured rear seats – Not equipped with ISOFIX child seat mountings. • Inertia-reel lap and diagonal seatbelts • Underseat storage • 12-volt accessory socket • Padded head restraints | | | ● | ● | | |
| Seat trim • Curitiba Tritone Grey cloth inert with Carla black vinyl side bolsters – Panel Van. | | ● | ● | ● | | |
| • Carla black vinyl – Doublecab. | | ● | | | | |
| • Curitiba Tritone Grey cloth – Doublecab. | | | ● | ● | | |

● = Standard equipment. N/C = No-cost option.

NEW VIVARO FEATURES/OPTIONS

CABIN STORAGE

| | Option code | Edition | Sportive | Elite | Price (£) exc. VAT | Price (£) inc. VAT |
|--|-------------|---------|----------|-------|--------------------|--------------------|
| Facia storage <ul style="list-style-type: none"> • Upper glovebox • Open lower glovebox with 12v socket and aux-in facility • Lower shelf • A4 storage compartment on top of facia • Open storage compartments in facia • Two drinks holders on top of facia • Storage pocket in front of gear lever | | ● | ● | ● | | |
| Front door pockets <ul style="list-style-type: none"> • Three separate compartments in each door | | ● | ● | ● | | |

INFOTAINMENT

| | | | | | | |
|---|-----|---|---|--|--------|--------|
| Radio BT Onboard features: <ul style="list-style-type: none"> • AM/FM stereo radio • DAB Digital radio • RDS with Traffic Programme • 20 watts per channel output • Four speakers (eight on Doublecab models) Media connections: <ul style="list-style-type: none"> • USB connection with iPod control • Bluetooth® A2DP audio streaming (Advanced Audio Distribution Profile) Mobile phone portal: <ul style="list-style-type: none"> • Bluetooth® connectivity • Handsfree calls via steering wheel controls • Vehicle microphone | | ● | | | | |
| Multimedia Onboard features: <ul style="list-style-type: none"> • 7-inch colour touchscreen • AM/FM stereo radio with 25 Station presets • DAB Digital radio • RDS with Traffic Programme • 20 watts per channel output • Four speakers (eight on Doublecab models) Media connections: <ul style="list-style-type: none"> • USB connection with iPod control • Bluetooth® A2DP audio streaming (Advanced Audio Distribution Profile) Mobile phone portal: <ul style="list-style-type: none"> • Bluetooth® connectivity • Handsfree calls via steering wheel controls • Vehicle microphone • Phone book access – Contacts/last calls/missed calls etc. are mirrored on the display and are easily navigated using the touchscreen (features dependent on mobile phone). • Bluetooth® connectivity • Handsfree calls via steering wheel controls • Vehicle microphone Smartphone interface: <ul style="list-style-type: none"> • Apple CarPlay™ • Android Auto™ – Smartphone projection that allows operations via voice command, touchscreen and buttons to control apps and music playback. | i05 | ○ | ● | | 400.00 | 480.00 |

● = Standard equipment. ○ = Optional at extra cost.

NEW VIVARO FEATURES/OPTIONS

INFOTAINMENT CONTINUED

| | Option code | Edition | Sportive | Elite | Price (£) exc. VAT | Price (£) inc. VAT |
|--|-------------|---------|----------|-------|--------------------|--------------------|
| <p>Multimedia Navi Pro</p> <p>Onboard features:</p> <ul style="list-style-type: none"> • 7-inch colour touchscreen • AM/FM stereo radio with 15 Station presets • DAB Digital radio • RDS with Traffic Programme • 20 watts per channel output • Four speakers (eight on Doublecab models) <p>Navigation features:</p> <ul style="list-style-type: none"> • Satellite navigation system • 3D street level mapping • European coverage • Structured or one-box destination entry • Points-of-interest search • Eco routing • Map updates via USB <p>Wi-fi enabled connected navigation features:</p> <ul style="list-style-type: none"> • Three years subscription to TomTom Live* • On-line navigation services provided by TomTom® include: • TomTom® live traffic updates • Local weather information • Nearby fuel station display • Local address search and contact info for points of interest <p>Media connections:</p> <ul style="list-style-type: none"> • USB connection with iPod control • Bluetooth® A2DP audio streaming (Advanced Audio Distribution Profile) <p>Mobile phone portal:</p> <ul style="list-style-type: none"> • Bluetooth® connectivity • Handsfree calls via steering wheel controls • Vehicle microphone • Phone book access – Contacts/last calls/missed calls etc. are mirrored on the display and are easily navigated using the touchscreen (features dependent on mobile phone). <p>Smartphone interface:</p> <ul style="list-style-type: none"> • Apple CarPlay™ • Android Auto™ – Smartphone projection that allows operations via voice command, touchscreen and buttons to control apps and music playback. | i06 | | ○ | ● | 200.00 | 240.00 |
| <p>Additional features</p> <ul style="list-style-type: none"> • Steering column mounted audio controls • Flexible roof-mounted aerial | | ● | ● | ● | | |

*Additional terms and conditions apply to connected services, including customer acceptance of location sharing prior to activation.

● = Standard equipment. ○ = Optional at extra cost.

NEW VIVARO FEATURES/OPTIONS

HEATING AND VENTILATION

| | Option code | Edition | Sportive | Elite | Price (£) exc. VAT | Price (£) inc. VAT |
|---|-------------|---------|----------|-------|--------------------|--------------------|
| Air conditioning • Air recirculation facility • Pollen filter • Illuminated controls • Chilled glovebox facility | C60 | ○ | ● | ● | 800.00 | 960.00 |
| Electronic climate control • LCD temperature display • Automatic air direction and fan speed with manual override • Illuminated controls • Pollen filter • Chilled glovebox facility | CJ2 | | ○ | ○ | 500.00 | 600.00 |

LOAD ACCESS

| | | | | | | |
|--|-----|---|---|---|----------|----------|
| Side access – Panel Van only Nearside and offside side-access door: • Nearside sliding side-access door • Offside sliding side-access door • Unglazed | | ● | ● | ● | | |
| Nearside and offside access Nearside and offside side-access door with fixed windows – Standard on Doublecab: • Fixed window to nearside side-access door • Fixed window to offside side-access door | 8P9 | ○ | ○ | ○ | 100.00 | 120.00 |
| Nearside and offside side-access door with sliding windows – Doublecab only: • Sliding window to nearside side-access door • Sliding window to offside side-access door | 5B0 | ○ | | | 650.00 | 780.00 |
| Handsfree electrically operated sliding side-access doors – Panel Van only. • Keyless open and start • Auto anti-dazzle rear-view mirror | DFO | | ○ | ○ | 1,125.00 | 1,350.00 |
| Rear access Rear solid doors: • Twin rear doors • 90°/180° opening | | ● | ● | ● | | |
| Rear glazed doors: • Glazed rear doors • 90°/180° opening • Heated rear windows with wash/wipe facility | J1X | ○ | ○ | ○ | 200.00 | 240.00 |
| Tailgate: • Glazed tailgate • Heated rear windows with wash/wipe facility | J1U | ○ | ○ | ○ | 200.00 | 240.00 |

● = Standard equipment. ○ = Optional at extra cost.

NEW VIVARO FEATURES/OPTIONS

LOAD RESTRAINT

| | Option code | Edition | Sportive | Elite | Price (£) exc. VAT | Price (£) inc. VAT |
|--|-------------|---------|----------|-------|--------------------|--------------------|
| Load anchorage • Fixed floor-mounted load restraint lashing eyes – Six on L1 and 8 on L2 models. | | ● | ● | ● | | |
| Load lining • 9mm untreated wooden load floor – Panel Van only. Not available when tailgate option(s) are specified. | CRJ | ○ | ○ | ○ | 180.00 | 216.00 |
| • 6mm untreated wooden load side and wheel arch lining – Panel Van only. Only available when the 9mm wooden load floor is specified (CRJ). | ERK | ○ | ○ | ○ | 300.00 | 360.00 |
| • 9mm coated anti-slip wooden load floor with aluminium rails – Not available on Edition Doublecab models or when tailgate option(s) are specified. | CR1 | ○ | ○ | ○ | 225.00 | 270.00 |
| • 6mm coated wooden load side and wheel arch lining – Not available on Edition Doublecab models. Only available when the 9mm coated wooden load floor with aluminium rails is specified (CR1). | ERO | ○ | ○ | ○ | 400.00 | 480.00 |

EXTERIOR LIGHTING

| | | | | | | |
|--|--|---|---|---|--|--|
| Standard lighting • Lights-on audible warning • Reversing lights • Hazard warning lights • Rear fog lights • High-level brake light • Side-repeat indicators • Daytime running lights – LED on Sportive/Elite models. | | ● | ● | ● | | |
|--|--|---|---|---|--|--|

EXTERIOR CONVENIENCE/STYLING

| | | | | | | |
|---|--|---|---|---|--|--|
| Appearance Pack • Body-colour front and rear bumpers • Body-colour mirror housings and door handles • Body-colour side-protection mouldings • Chrome-effect front grille • Front fog lights • LED daytime running lights | | | ● | ● | | |
| Windows • Electrically operated front windows with one-touch up/down facility | | ● | ● | ● | | |
| Door mirrors • Foldable electrically adjustable/heated door mirrors | | ● | ● | | | |

● = Standard equipment. ○ = Optional at extra cost.

NEW VIVARO FEATURES/OPTIONS


MECHANICAL

| | Option code | Edition | Sportive | Elite | Price (£) exc. VAT | Price (£) inc. VAT | | | | |
|--|-----------------|--------------|----------|-----------------|--------------------|--------------------|---|---|--|--|
| Transmission Six-speed manual gearbox: • Front-wheel drive • Transverse engine/gearbox | | ● | ● | ● | | | | | | |
| Eight-speed automatic transmission • Front-wheel drive • Transverse engine/gearbox Replacing the traditional lever, the automatic transmission selection-mode dial/drive wheel is an innovation solution that is both elegant and intuitive. By simply twisting the dial, the following modes can be selected: • Park, for when the vehicle is stationary and the wheels are locked • Drive, for automatic forward motion • Neutral, for when the vehicle is stationary, wheels are free • Reverse, for automatic backward motion For an extra experience of dynamism, the shift paddles for automatic transmissions are located behind the steering wheel, offering drivers an extra level of control that is highly ergonomic and intuitive. The shift paddles function in the following way: • To go up a gear, the driver must pull the right lever towards themselves • To go down a gear, the driver must pull the left lever towards themselves – Please note: only consecutive gear changes are possible. | | ▲ | ▲ | ▲ | | | | | | |
| Steering • Hydraulic power-assisted rack and pinion system • Energy absorbing steering column | | ● | ● | ● | | | | | | |
| Turning circles <table border="1" style="display: inline-table; margin-left: 20px;"> <thead> <tr> <th></th> <th>Kerb-to-kerb</th> </tr> </thead> <tbody> <tr> <td>L1/L2</td> <td>12.4m (40.7ft.)</td> </tr> </tbody> </table> | | Kerb-to-kerb | L1/L2 | 12.4m (40.7ft.) | | ● | ● | ● | | |
| | Kerb-to-kerb | | | | | | | | | |
| L1/L2 | 12.4m (40.7ft.) | | | | | | | | | |
| Brakes Front ventilated disc brakes: • 304mm x 28mm Rear disc brakes: • 290mm x 12mm | | ● | ● | ● | | | | | | |
| Fuel tank • 70 litres (15.4 gallons) capacity | | ● | ● | ● | | | | | | |

● = Standard equipment. ▲ = See price page for details.



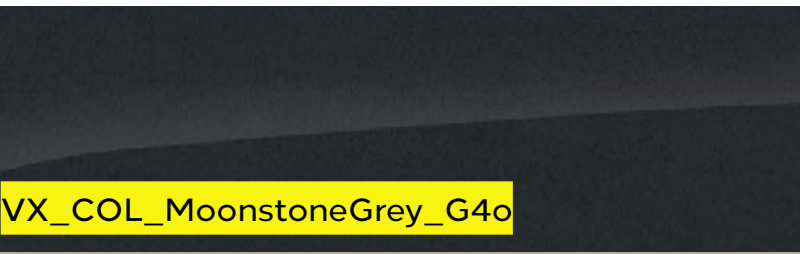
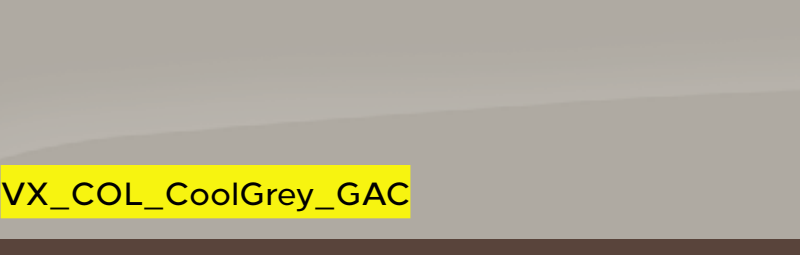

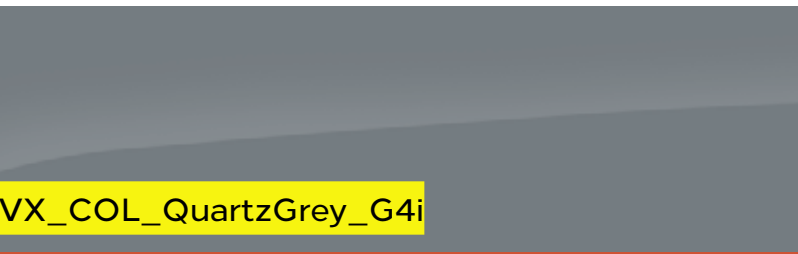


NEW VIVARO FEATURES/OPTIONS

MECHANICAL CONTINUED

| | Option code | Edition | Sportive | Elite | Price (£) exc. VAT | Price (£) inc. VAT |
|---|-------------|---------|----------|-------|--------------------|--------------------|
| AdBlue® tank • 22.5 litres (4.95 gallons) capacity | | ● | ● | ● | | |
| Connector for conversions | WRF | ○ | ○ | ○ | 90.00 | 108.00 |
|  Tow bar • Heavy duty removable towing hook with tool (ball and hook) • Provison for tow bar • Towing connector VX_VIV_29615 | 8PI | ○ | ○ | ○ | 400.00 | 480.00 |
|  Tow bar • Removable monoblock towing ball with tool (ball) • Provison for tow bar • Towing connector VX_VIV_29614 | V76 | ○ | ○ | ○ | 300.00 | 360.00 |
|  Tow bar • Removable monoblock towing ball without tool • Provison for tow bar • Towing connector VX_VIV_29614 | VQ9 | ○ | ○ | ○ | 400.00 | 480.00 |

● = Standard equipment. ○ = Optional at extra cost.

NEW VIVARO EXTERIOR COLOURS

| | | | | | | Edition | Sportive | Elite | Price (£) exc. VAT | Price (£) inc. VAT |
|-----------|---|-------------------------------|--|--|--|---------|----------|-------|-----------------------|-----------------------|
| Solid |  | Jade White (G2o) | | | | ● | ● | ● | | |
| | VX_COL_White_Jade_G2o | | | | | | | | | |
| Brilliant |  | Flaming Red (GE0) | | | | ○ | | | 200.00 | 240.00 |
| Two-coat |  | Moonstone Grey metallic (G4o) | | | | ○ | N/C | N/C | 460.00 | 552.00 |
| | VX_COL_MoonstoneGrey_G4o | | | | | | | | | |
| |  | Cool Grey metallic (GAC) | | | | | | | | |
| | VX_COL_CoolGrey_GAC | | | | | | | | | |
| |  | Rich Oak Brown metallic (GoJ) | | | | | | | | |
| | VX_COL_RichOakBrown_GoJ | | | | | | | | | |
| |  | Quartz Grey metallic (G4i) | | | | | | | | |
| | VX_COL_QuartzGrey_G4i | | | | | | | | | |
| |  | Amber Red metallic (GoX) | | | | | | | | |
| | VX_COL_AmberRed_GoX | | | | | | | | | |
| |  | Diamond Black metallic (G7o) | | | | | | | | |
| | VX_COL_DiamondBlack_G7o | | | | | | | | | |

The colours reproduced may vary slightly from the actual paint colour. As a result they should be used as a guide only. Your Vauxhall Retailer has a comprehensive display of our paint samples.




● = Standard equipment. ○ = Optional at extra cost. N/C = No-cost option.

NEW VIVARO WHEELS AND TYRES

| | Option code | Edition | Sportive | Elite | Price (£) exc. VAT | Price (£) inc. VAT |
|---|-------------|---------|----------|-------|--------------------|--------------------|
| Full-size spare wheel | | ● | ● | ● | | |
| All-season tyres • 215/65 R 17 – Only available when 17-inch wheels are specified. | Q40 | ○ | ○ | ○ | 200.00 | 240.00 |
| Tyre inflation kit in lieu of spare wheel | KTi | N/C | N/C | N/C | No-cost option | |
|  16-inch steel wheels with centre cap • 215/65 R 16 tyres <small>VX_VIV_29655</small> | | ● | | | | |
|  16-inch steel wheels with full-diameter wheel trims • 215/65 R 16 tyres <small>VX_VIV_29646_RBK</small> | | | ● | | | |
|  17-inch silver alloy wheels • 215/60 R 17 tyres • Locking wheel bolts <small>VX_VIV_29647_RVF</small> | RVF | | ○ | ● | 400.00 | 480.00 |

● = Standard equipment. ○ = Optional at extra cost. N/C = No-cost option.

NEW VIVARO WHEELS AND TYRES

| | Option code | Edition | Sportive | Elite | Price (£) exc. VAT | Price (£) inc. VAT |
|---|-------------|---------|----------|-------|--------------------|--------------------|
|  <p>17-inch diamond-cut alloy wheels</p> <ul style="list-style-type: none"> • 215/60 R 17 tyres • Locking wheel bolts <p>VX_VIV_29648_WQX</p> | WQX | | | ○ | 100.00 | 120.00 |
|  <p>17-inch steel wheels with centre cap</p> <ul style="list-style-type: none"> • 215/60 R 17 tyres <p>VX_VIV_29656</p> | RS9 | ○ | | | 120.00 | 144.00 |
|  <p>17-inch steel wheels with full-diameter wheel trims</p> <ul style="list-style-type: none"> • 215/60 R 17 tyres <p>VX_VIV_29657</p> | RVE | | ○ | | 200.00 | 240.00 |

● = Standard equipment. ○ = Optional at extra cost.

NEW VIVARO DIESEL ENGINES

| Engine | 1.5 (100PS) Turbo D Start/Stop BlueInjection | 1.5 (120PS) Turbo D Start/Stop BlueInjection | 2.0 (120PS) Turbo D Start/Stop BlueInjection |
|---------------------|---|---|---|
| Capacity | 1499cc | 1499cc | 1997cc |
| Maximum power | 100PS (75kW) @ 3500rpm | 120PS (88kW) @ 3500rpm | 120PS (88kW) @ 3500rpm |
| Maximum torque | 270Nm (184 lb.ft.) @ 1600rpm | 300Nm (221 lb.ft.) @ 1750rpm | 340Nm (251 lb.ft.) @ 2000rpm |
| Configuration | 4 cylinders, 4 valves per cylinder, double overhead camshafts | 4 cylinders, 4 valves per cylinder, double overhead camshafts | 4 cylinders, 4 valves per cylinder, double overhead camshafts |
| Emission compliance | Euro 6D TEMP (6.2) | Euro 6D TEMP (6.2) | Euro 6D TEMP (6.2) |
| Service interval | 25,000 miles or 2 years (whichever occurs sooner) | 25,000 miles or 2 years (whichever occurs sooner) | 30,000 miles or 2 years (whichever occurs sooner) |

| Engine | 2.0 (150PS) Turbo D Start/Stop BlueInjection | 2.0 (180PS) Turbo D Start/Stop BlueInjection |
|---------------------|---|---|
| Capacity | 1997cc | 1997cc |
| Maximum power | 150PS (110kW) @ 3500rpm | 180PS (130kW) @ 3500rpm |
| Maximum torque | 370Nm (273 lb.ft.) @ 2000rpm | 400Nm (295 lb.ft.) @ 2000rpm |
| Configuration | 4 cylinders, 4 valves per cylinder, double overhead camshafts | 4 cylinders, 4 valves per cylinder, double overhead camshafts |
| Emission compliance | Euro 6D TEMP (6.2) | Euro 6D TEMP (6.2) |
| Service interval | 30,000 miles or 2 years (whichever occurs sooner) | 30,000 miles or 2 years (whichever occurs sooner) |

Vehicles with BlueInjection technology will need regular AdBlue® top-ups also between servicing requirements. An indicator integrated into the on-board computer will warn you when you need to top up. More information under www.vauxhall.co.uk/adblue. In accordance with regulations R (EC) No. 715/2007 and R (EC) No. 692/2008 (in the versions respectively applicable).

NEW VIVARO DIMENSIONS

| Loadspace Dimensions | L1 | L2 |
|--|--------------|--------------|
| Maximum length at load floor – Panel Van | 2512 (98.9) | 2862 (112.7) |
| Mid-height load length – Panel Van | 2185 (86.0) | 2535 (99.8) |
| Maximum length with load-through facility maximum length to front footwell – Panel Van | 3674 (144.6) | 4024 (158.4) |
| Maximum length at load floor – Doublecab | 2017 (79.4) | 2365 (93.1) |
| Mid-height load length behind rear seats – Doublecab | 1352 (53.3) | 1700 (66.9) |
| Maximum length at load floor – Doublecab with folding bulkhead (bench seat down) | 2018 (79.5) | 2367 (93.2) |
| Maximum length at load floor – Doublecab with folding bulkhead (bench seat folded up) | 2029 (79.9) | 2376 (93.5) |
| Maximum width | 1636 (64.4) | 1636 (64.4) |
| Width between wheel arches | 1258 (49.5) | 1258 (49.5) |
| Maximum height | 1397 (55.0) | 1397 (55.0) |
| Loadspace Access millimetres (inches) | | |
| Side door aperture height | 1241 (48.8) | 1241 (48.8) |
| Side door aperture width | 935 (36.8) | 935 (36.8) |
| Rear door aperture height | 1220 (48.0) | 1220 (48.0) |
| Rear door aperture width | 1282 (50.5) | 1282 (50.5) |
| Loading height – Maximum | 613 (24.1) | 633 (24.9) |
| Loading height – Minimum | 544 (21.4) | 600 (23.6) |

| Loadspace Volumes cu.m (cu.ft.) | L1 | L2 |
|--|--------------|--------------|
| Panel Van | 5.3 (187.2) | 6.1 (215.4) |
| Panel Van with load-through facility | 5.8 (204.8) | 6.6 (233.1) |
| Doublecab | 3.2 (113.0) | 4.0 (141.3) |
| Doublecab with folding bulkhead | 4.7 (166.0) | 5.5 (194.2) |
| Exterior dimensions | | |
| Overall length | 4959 (129.0) | 5309 (209.0) |
| Width – including door mirrors | 2204 (86.8) | 2204 (86.8) |
| Width – excluding door mirrors | 1920 (75.6) | 1920 (75.6) |
| Height – standard payload | 1905 (75.0) | - |
| Height – increased payload | 1940 (76.4) | 1935 (76.2) |
| Height – Platform Cab | 1930 (76.0) | - |
| Wheelbase | 3275 (129.0) | 3275 (129.0) |
| Front overhang | 881 (34.7) | 881 (34.7) |
| Rear overhang | 803 (31.6) | 1153 (45.4) |
| Ground clearance | 150 (5.9) | 150 (5.9) |

NEW MOVANO PANEL VAN PRICES

| | Minimum Mass (kg)* | Maximum Payload (kg)* | Fuel economy mpg (litres/100km)# | | | CO ₂ (g/km)# | Price (£) exc. VAT | On-the-road RRP (£) exc. VAT |
|---|--------------------|-----------------------|----------------------------------|-------------------------|-------------------------|-------------------------|--------------------|------------------------------|
| | | | Urban driving | Extra-urban driving | Combined figure | | | |
| L1 H1 FWD EDITION PANEL VAN EURO 6D TEMP | | | | | | | | |
| 2800 2.3 (135PS) Turbo D | 1880 | 920 | 42.0 – 42.2 (6.7 – 6.7) | 38.7 – 42.2 (7.3 – 6.7) | 39.9 – 42.2 (7.1 – 6.7) | 187 – 177 | 27,745.00 | 28,643.33 |
| 3300 2.3 (135PS) Turbo D | 1880 | 1420 | 42.0 – 42.2 (6.7 – 6.7) | 38.7 – 42.2 (7.3 – 6.7) | 39.9 – 42.2 (7.1 – 6.7) | 187 – 177 | 28,995.00 | 29,893.33 |
| 3500 2.3 (135PS) Turbo D | 1880 | 1620 | 42.0 – 42.2 (6.7 – 6.7) | 38.7 – 42.2 (7.3 – 6.7) | 39.9 – 42.2 (7.1 – 6.7) | 187 – 177 | 29,645.00 | 30,543.33 |
| 3500 2.3 (150PS) Turbo D Start/Stop | 1880 | 1620 | 51.6 – 53.2 (5.5 – 5.3) | 43.7 – 46.3 (6.5 – 5.8) | 46.3 – 48.4 (6.1 – 5.8) | 161 – 154 | 30,755.00 | 31,653.33 |
| L1 H2 FWD EDITION PANEL VAN EURO 6D TEMP | | | | | | | | |
| 2800 2.3 (135PS) Turbo D | 1902 | 898 | 42.0 – 42.2 (6.7 – 6.7) | 38.7 – 42.2 (7.3 – 6.7) | 39.9 – 42.2 (7.1 – 6.7) | 187 – 177 | 28,345.00 | 29,243.33 |
| 3300 2.3 (135PS) Turbo D | 1902 | 1398 | 42.0 – 42.2 (6.7 – 6.7) | 38.7 – 42.2 (7.3 – 6.7) | 39.9 – 42.2 (7.1 – 6.7) | 187 – 177 | 29,595.00 | 30,493.33 |
| 3500 2.3 (135PS) Turbo D | 1902 | 1598 | 42.0 – 42.2 (6.7 – 6.7) | 38.7 – 42.2 (7.3 – 6.7) | 39.9 – 42.2 (7.1 – 6.7) | 187 – 177 | 30,245.00 | 31,143.33 |
| 3500 2.3 (150PS) Turbo D Start/Stop | 1902 | 1598 | 51.6 – 53.2 (5.5 – 5.3) | 43.7 – 46.0 (6.5 – 5.8) | 46.3 – 48.5 (6.1 – 5.8) | 161 – 154 | 31,355.00 | 32,253.33 |
| L2 H2 FWD EDITION PANEL VAN EURO 6D TEMP | | | | | | | | |
| 3300 2.3 (135PS) Turbo D | 1971 | 1329 | 42.0 – 42.2 (6.7 – 6.7) | 38.7 – 42.2 (7.3 – 6.7) | 39.9 – 42.1 (7.1 – 6.7) | 187 – 177 | 30,950.00 | 31,848.33 |
| 3500 2.3 (135PS) Turbo D | 1971 | 1529 | 42.0 – 42.2 (6.7 – 6.7) | 38.7 – 42.2 (7.3 – 6.7) | 39.9 – 42.1 (7.1 – 6.7) | 187 – 177 | 31,600.00 | 32,498.33 |
| 3500 2.3 (150PS) Turbo D Start/Stop | 1971 | 1529 | 51.6 – 53.2 (5.5 – 5.3) | 43.7 – 46.0 (6.5 – 5.8) | 46.3 – 48.4 (6.1 – 5.8) | 161 – 154 | 32,710.00 | 33,608.33 |
| 3500 2.3 (180PS) Turbo D Start/Stop Tecshift | tbc | tbc | tbc | tbc | tbc | tbc | 34,835.00 | 35,733.33 |

Please note: On-the-road recommended retail prices (RRP) include number plates and delivery to retailer of £583.33, 12 months' Vehicle Excise Duty (£260.00) and new vehicle first registration fee of £55.00. Excludes fuel and insurance.

All Movanos include BlueInjection. Vehicles with BlueInjection technology will need regular AdBlue® top-ups also between servicing requirements. An indicator integrated into the on-board computer will warn you when you need to top up. More information under www.vauxhall.co.uk/adblue. In accordance with regulations R (EC) No. 715/2007 and R (EC) No. 692/2008 (in the versions respectively applicable).

#Fuel consumption data and CO₂ emission data are determined using the Worldwide harmonized Light vehicles Test Procedure (WLTP), and the relevant values are translated back to allow the comparability into NEDC, according to regulations R (EC) No. 715/2007, R (EU) No. 2017/1153 and R (EU) No. 2017/1151. The values do not take into account in particular use and driving conditions, equipment or options and may vary depending on the format of tyres. For more information on official fuel consumption and CO₂ emission values, please read the guidelines at <http://vanfueldata.dft.gov.uk/>

*For definitions please refer to Glossary of Terms.

NEW MOVANO PANEL VAN PRICES

| | Minimum Mass (kg)* | Maximum Payload (kg)* | Fuel economy mpg (litres/100km)# | | | CO ₂ (g/km)# | Price (£) exc. VAT | On-the-road RRP (£) exc. VAT |
|---|--------------------|-----------------------|----------------------------------|-------------------------|-------------------------|-------------------------|--------------------|------------------------------|
| | | | Urban driving | Extra-urban driving | Combined figure | | | |
| L2 H3 FWD EDITION PANEL VAN EURO 6D TEMP | | | | | | | | |
| 3500 2.3 (135PS) Turbo D | 2000 | 1500 | 42.0 – 42.2 (6.7 – 6.7) | 38.7 – 42.2 (7.3 – 6.7) | 39.9 – 42.2 (7.1 – 6.7) | 187 – 177 | 32,300.00 | 33,198.33 |
| 3500 2.3 (150PS) Turbo D Start/Stop | 2000 | 1500 | 51.6 – 53.2 (5.5 – 5.3) | 43.7 – 46.0 (6.5 – 5.8) | 46.3 – 48.5 (6.1 – 5.8) | 161 – 154 | 33,410.00 | 34,308.33 |
| 3500 2.3 (180PS) Turbo D Start/Stop Tecshift | tbc | tbc | tbc | tbc | tbc | tbc | 35,535.00 | 36,433.33 |
| L3 H2 FWD EDITION PANEL VAN EURO 6D TEMP | | | | | | | | |
| 3500 2.3 (135PS) Turbo D | 2069 | 1431 | 42.0 – 42.2 (6.7 – 6.7) | 38.7 – 42.2 (7.3 – 6.7) | 39.9 – 42.2 (7.1 – 6.7) | 187 – 177 | 32,300.00 | 33,198.33 |
| 3500 2.3 (150PS) Turbo D Start/Stop | 2069 | 1431 | 51.6 – 53.2 (5.5 – 5.3) | 43.7 – 46.0 (6.5 – 6.1) | 46.3 – 48.4 (6.1 – 5.8) | 161 – 154 | 33,410.00 | 34,308.33 |
| 3500 2.3 (180PS) Turbo D Start/Stop | 2069 | 1431 | 41.7 – 46.3 (6.8 – 6.1) | 38.7 – 40.2 (7.3 – 7.0) | 40.8 – 41.2 (6.9 – 6.9) | 183 – 175 | 34,660.00 | 35,558.33 |
| 3500 2.3 (180PS) Turbo D Start/Stop Tecshift | tbc | tbc | tbc | tbc | tbc | tbc | 35,535.00 | 36,433.33 |
| L3 H3 FWD EDITION PANEL VAN EURO 6D TEMP | | | | | | | | |
| 3500 2.3 (135PS) Turbo D | 2076 | 1424 | 42.0 – 42.2 (6.7 – 6.7) | 38.7 – 42.2 (7.3 – 6.7) | 39.9 – 42.2 (7.1 – 6.7) | 187 – 177 | 33,000.00 | 33,898.33 |
| 3500 2.3 (150PS) Turbo D Start/Stop | 2076 | 1424 | 51.6 – 53.2 (5.5 – 5.3) | 43.7 – 46.0 (6.5 – 6.1) | 46.3 – 48.4 (6.1 – 5.8) | 161 – 154 | 34,110.00 | 35,008.33 |

Please note: On-the-road recommended retail prices (RRP) include number plates and delivery to retailer of £583.33, 12 months' Vehicle Excise Duty (£260.00) and new vehicle first registration fee of £55.00. Excludes fuel and insurance.

All Movanos include BlueInjection. Vehicles with BlueInjection technology will need regular AdBlue® top-ups also between servicing requirements. An indicator integrated into the on-board computer will warn you when you need to top up. More information under www.vauxhall.co.uk/adblue. In accordance with regulations R (EC) No. 715/2007 and R (EC) No. 692/2008 (in the versions respectively applicable).

#Fuel consumption data and CO₂ emission data are determined using the Worldwide harmonized Light vehicles Test Procedure (WLTP), and the relevant values are translated back to allow the comparability into NEDC, according to regulations R (EC) No. 715/2007, R (EU) No. 2017/1153 and R (EU) No. 2017/1151. The values do not take into account in particular use and driving conditions, equipment or options and may vary depending on the format of tyres. For more information on official fuel consumption and CO₂ emission values, please read the guidelines at <http://vanfueldata.dft.gov.uk/>

*For definitions please refer to Glossary of Terms.

NEW MOVANO PANEL VAN PRICES

| | Minimum Mass (kg)* | Maximum Payload (kg)* | Fuel economy mpg (litres/100km)# | | | CO ₂ (g/km)# | Price (£) exc. VAT | On-the-road RRP (£) exc. VAT |
|--|--------------------|-----------------------|----------------------------------|---------------------|-----------------|-------------------------|--------------------|------------------------------|
| | | | Urban driving | Extra-urban driving | Combined figure | | | |
| L3 H2 RWD EDITION PANEL VAN EURO Vid | | | | | | | | |
| 3500 2.3 (130PS) Turbo D | 2297 | 1203 | 30.0 (9.4) | 34.8 (8.1) | 32.8 (8.6) | 224 | 33,600.00 | 34,498.33 |
| 3500 2.3 (145PS) Turbo D Start/Stop | 2297 | 1203 | 34.0 (8.3) | 35.3 (8.0) | 34.8 (8.1) | 211 | 34,710.00 | 35,608.33 |
| 3500 HD 2.3 (130PS) Turbo D | 2352 | 1148 | 29.1 (9.7) | 33.2 (8.5) | 31.4 (9.0) | 233 | 34,200.00 | 35,098.33 |
| 3500 HD 2.3 (145PS) Turbo D Start/Stop | 2352 | 1148 | 31.7 (8.9) | 33.6 (8.4) | 32.8 (8.6) | 225 | 35,310.00 | 36,208.33 |
| 4500 HD 2.3 (130PS) Turbo D Tacho | 2352 | 2148 | N/A (N2) | N/A (N2) | N/A (N2) | N/A (N2) | 35,855.00 | 36,658.33 |
| 4500 HD 2.3 (165PS) Turbo D Start/Stop Tacho | 2352 | 2148 | N/A (N2) | N/A (N2) | N/A (N2) | N/A (N2) | 38,215.00 | 39,018.33 |
| L3 H3 RWD EDITION PANEL VAN EURO Vid | | | | | | | | |
| 3500 2.3 (130PS) Turbo D | 2315 | 1185 | 30.0 (9.4) | 34.8 (8.1) | 32.8 (8.6) | 224 | 34,300.00 | 35,198.33 |
| 3500 2.3 (145PS) Turbo D Start/Stop | 2315 | 1185 | 34.0 (8.3) | 35.3 (8.0) | 34.8 (8.1) | 211 | 35,410.00 | 36,308.33 |
| 3500 HD 2.3 (130PS) Turbo D | 2375 | 1125 | 29.1 (9.7) | 33.2 (8.5) | 31.4 (9.0) | 233 | 34,900.00 | 35,798.33 |
| 3500 HD 2.3 (145PS) Turbo D Start/Stop | 2375 | 1125 | 31.7 (8.9) | 33.6 (8.4) | 32.8 (8.6) | 225 | 36,010.00 | 36,908.33 |
| 4500 HD 2.3 (130PS) Turbo D Tacho | 2375 | 2125 | N/A (N2) | N/A (N2) | N/A (N2) | N/A (N2) | 36,555.00 | 37,358.33 |
| 4500 HD 2.3 (165PS) Turbo D Start/Stop Tacho | 2375 | 2125 | N/A (N2) | N/A (N2) | N/A (N2) | N/A (N2) | 38,915.00 | 39,718.33 |

Please note: On-the-road recommended retail prices (RRP) include number plates and delivery to retailer of £583.33, 12 months' Vehicle Excise Duty at £260.00 (£165.00 on 4500kg models) and new vehicle first registration fee of £55.00. Excludes fuel and insurance.

All Movanos include BlueInjection. Vehicles with BlueInjection technology will need regular AdBlue® top-ups also between servicing requirements. An indicator integrated into the on-board computer will warn you when you need to top up. More information under www.vauxhall.co.uk/adblue. In accordance with regulations R (EC) No. 715/2007 and R (EC) No. 692/2008 (in the versions respectively applicable).

#Fuel consumption and CO₂ data is official government environmental data, tested in accordance with the relevant EU directive. Official EU-regulated test data is provided for comparison purposes. The values do not take into account in particular use and driving conditions, equipment or options and may vary depending on the format of tyres. For more information on official fuel consumption and CO₂ emission values, please read the guidelines at <http://vanfueldata.dft.gov.uk/>

*For definitions please refer to Glossary of Terms.

NEW MOVANO PANEL VAN PRICES

| | Minimum Mass (kg)* | Maximum Payload (kg)* | Fuel economy mpg (litres/100km)# | | | CO ₂ (g/km)# | Price (£) exc. VAT | On-the-road RRP (£) exc. VAT |
|--|--------------------|-----------------------|----------------------------------|---------------------|-----------------|-------------------------|--------------------|------------------------------|
| | | | Urban driving | Extra-urban driving | Combined figure | | | |
| L4 H2 RWD EDITION PANEL VAN EURO VI_d | | | | | | | | |
| 3500 2.3 (130PS) Turbo D | 2296 | 1204 | 30.0 (9.4) | 34.8 (8.1) | 32.8 (8.6) | 224 | 34,500.00 | 35,398.33 |
| 3500 2.3 (145PS) Turbo D Start/Stop | 2296 | 1204 | 34.0 (8.3) | 35.3 (8.0) | 34.8 (8.1) | 211 | 35,610.00 | 36,508.33 |
| 3500 2.3 (165PS) Turbo D Start/Stop | 2296 | 1204 | 34.0 (8.3) | 35.3 (8.0) | 34.8 (8.1) | 211 | 36,860.00 | 37,758.33 |
| 3500 HD 2.3 (130PS) Turbo D | 2392 | 1108 | 29.1 (9.7) | 33.2 (8.5) | 31.4 (9.0) | 233 | 35,100.00 | 35,998.33 |
| 3500 HD 2.3 (145PS) Turbo D Start/Stop | 2392 | 1108 | 31.7 (8.9) | 33.6 (8.4) | 32.8 (8.6) | 225 | 36,210.00 | 37,108.33 |
| 4500 HD 2.3 (130PS) Turbo D Tacho | 2392 | 2108 | N/A (N2) | N/A (N2) | N/A (N2) | N/A (N2) | 36,755.00 | 37,558.33 |
| 4500 HD 2.3 (165PS) Turbo D Start/Stop Tacho | 2392 | 2108 | N/A (N2) | N/A (N2) | N/A (N2) | N/A (N2) | 39,115.00 | 39,918.33 |
| L4 H3 RWD EDITION PANEL VAN EURO VI_d | | | | | | | | |
| 3500 2.3 (130PS) Turbo D | 2343 | 1157 | 30.0 (9.4) | 34.8 (8.1) | 32.8 (8.6) | 224 | 35,200.00 | 36,098.33 |
| 3500 2.3 (145PS) Turbo D Start/Stop | 2343 | 1157 | 34.0 (8.3) | 35.3 (8.0) | 34.8 (8.1) | 211 | 36,310.00 | 37,208.33 |
| 3500 2.3 (165PS) Turbo D Start/Stop | 2343 | 1157 | 34.0 (8.3) | 35.3 (8.0) | 34.8 (8.1) | 211 | 37,560.00 | 38,458.33 |
| 3500 HD 2.3 (130PS) Turbo D | 2392 | 1108 | 29.1 (9.7) | 33.2 (8.5) | 31.4 (9.0) | 233 | 35,800.00 | 36,698.33 |
| 3500 HD 2.3 (145PS) Turbo D Start/Stop | 2463 | 1037 | 31.7 (8.9) | 33.6 (8.4) | 32.8 (8.6) | 225 | 36,910.00 | 37,808.33 |
| 4500 HD 2.3 (130PS) Turbo D Tacho | 2392 | 2108 | N/A (N2) | N/A (N2) | N/A (N2) | N/A (N2) | 37,455.00 | 38,258.33 |
| 4500 HD 2.3 (165PS) Turbo D Start/Stop Tacho | 2463 | 2037 | N/A (N2) | N/A (N2) | N/A (N2) | N/A (N2) | 39,815.00 | 40,618.33 |

Please note: On-the-road recommended retail prices (RRP) include number plates and delivery to retailer of £583.33, 12 months' Vehicle Excise Duty at £260.00 (£165.00 on 4500kg models) and new vehicle first registration fee of £55.00. Excludes fuel and insurance.

All Movanos include BlueInjection. Vehicles with BlueInjection technology will need regular AdBlue® top-ups also between servicing requirements. An indicator integrated into the on-board computer will warn you when you need to top up.

More information under www.vauxhall.co.uk/adblue. In accordance with regulations R (EC) No. 715/2007 and R (EC) No. 692/2008 (in the versions respectively applicable).

#Fuel consumption and CO₂ data is official government environmental data, tested in accordance with the relevant EU directive. Official EU-regulated test data is provided for comparison purposes. The values do not take into account in particular use and driving conditions, equipment or options and may vary depending on the format of tyres. For more information on official fuel consumption and CO₂ emission values, please read the guidelines at <http://vanfueldata.dft.gov.uk/>

*For definitions please refer to Glossary of Terms.

NEW MOVANO DOUBLECAB PRICES

| | Minimum Mass (kg)* | Maximum Payload (kg)* | Fuel economy mpg (litres/100km)# | | | CO ₂ (g/km)# | Price (£) exc. VAT | On-the-road RRP (£) exc. VAT |
|---|--------------------|-----------------------|----------------------------------|-------------------------|-------------------------|-------------------------|--------------------|------------------------------|
| | | | Urban driving | Extra-urban driving | Combined figure | | | |
| L2 H2 FWD EDITION DOUBLECAB EURO 6D TEMP | | | | | | | | |
| 3500 2.3 (135PS) Turbo D | 2167 | 1333 | 42.0 – 42.2 (6.7 – 6.7) | 38.7 – 42.2 (7.3 – 6.7) | 39.9 – 42.2 (7.1 – 6.7) | 187 – 177 | 33,250.00 | 34,148.33 |
| 3500 2.3 (150PS) Turbo D Start/Stop | 2167 | 1333 | 53.2 – 51.6 (5.3 – 5.5) | 43.7 – 46.0 (6.5 – 5.8) | 46.3 – 48.5 (6.1 – 5.8) | 161 – 154 | 34,360.00 | 35,258.33 |
| L3 H2 FWD EDITION DOUBLECAB EURO 6D TEMP | | | | | | | | |
| 3500 2.3 (135PS) Turbo D | 2262 | 1238 | 42.0 – 42.2 (6.7 – 6.7) | 38.7 – 42.2 (7.3 – 6.7) | 39.9 – 42.2 (7.1 – 6.7) | 187 – 177 | 33,950.00 | 34,848.33 |
| 3500 2.3 (150PS) Turbo D Start/Stop | 2262 | 1238 | 53.2 – 51.6 (5.3 – 5.5) | 43.7 – 46.0 (6.5 – 5.8) | 46.3 – 48.5 (6.1 – 5.8) | 161 – 154 | 35,060.00 | 35,958.33 |
| L3 H2 RWD EDITION DOUBLECAB EURO Vld | | | | | | | | |
| 3500 2.3 (130PS) Turbo D | 2490 | 1010 | 30.0 (9.4) | 34.8 (8.1) | 32.8 (8.6) | 224 | 35,250.00 | 36,148.33 |
| 3500 2.3 (145PS) Turbo D Start/Stop | 2490 | 1010 | 34.0 (8.3) | 35.3 (8.0) | 34.8 (8.1) | 211 | 36,360.00 | 37,258.33 |

Please note: On-the-road recommended retail prices (RRP) include number plates and delivery to retailer of £583.33, 12 months' Vehicle Excise Duty (£260.00) and new vehicle first registration fee of £55.00. Excludes fuel and insurance.

All Movanos include BlueInjection. Vehicles with BlueInjection technology will need regular AdBlue® top-ups also between servicing requirements. An indicator integrated into the on-board computer will warn you when you need to top up. More information under www.vauxhall.co.uk/adblue. In accordance with regulations R (EC) No. 715/2007 and R (EC) No. 692/2008 (in the versions respectively applicable).

#FWD fuel consumption and CO₂ data are determined using the Worldwide harmonized Light vehicles Test Procedure (WLTP), and the relevant values are translated back to allow the comparability into NEDC, according to regulations R (EC) No. 715/2007, R (EU) No. 2017/1153 and R (EU) No. 2017/1151. RWD fuel consumption and CO₂ data is official government environmental data, tested in accordance with the relevant EU directive. Official EU-regulated test data is provided for comparison purposes. The values do not take into account in particular use and driving conditions, equipment or options and may vary depending on the format of tyres. For more information on official fuel consumption and CO₂ emission values, please read the guidelines at <http://vanfueldata.dft.gov.uk/>

*For definitions please refer to Glossary of Terms.

NEW MOVANO CHASSIS CAB PRICES

| | Minimum Mass (kg)* | Maximum Payload (kg)* | Fuel economy mpg (litres/100km)# | | | CO ₂ (g/km)# | Price (£) exc. VAT | On-the-road RRP (£) exc. VAT |
|--|--------------------|-----------------------|----------------------------------|---------------------|-----------------|-------------------------|--------------------|------------------------------|
| | | | Urban driving | Extra-urban driving | Combined figure | | | |
| L2 H1 FWD CHASSIS CAB EURO 6D TEMP | | | | | | | | |
| 3500 2.3 (135PS) Turbo D | 1784 | 1756 | tbc | tbc | tbc | tbc | 29,900.00 | 30,798.33 |
| L3 H1 FWD CHASSIS CAB EURO 6D TEMP | | | | | | | | |
| 3500 2.3 (135PS) Turbo D | 1810 | 1730 | tbc | tbc | tbc | tbc | 30,400.00 | 31,298.33 |
| 3500 2.3 (150PS) Turbo D Start/Stop | 1819 | 1721 | tbc | tbc | tbc | tbc | 31,510.00 | 32,408.33 |
| L2 H1 RWD CHASSIS CAB EURO 6D TEMP | | | | | | | | |
| 3500 2.3 (130PS) Turbo D | 1928 | 1612 | tbc | tbc | tbc | tbc | 31,200.00 | 32,098.33 |
| 3500 HD 2.3 (130PS) Turbo D | 2095 | 1445 | tbc | tbc | tbc | tbc | 31,815.00 | 32,713.33 |
| 4500 HD 2.3 (165PS) Turbo D Start/Stop Tacho | 2095 | 2445 | N/A (N2) | N/A (N2) | N/A (N2) | N/A (N2) | 35,830.00 | 36,633.33 |
| L3 H1 RWD CHASSIS CAB EURO VI_d | | | | | | | | |
| 3500 2.3 (130PS) Turbo D | 1979 | 1561 | tbc | tbc | tbc | tbc | 31,700.00 | 32,598.33 |
| 3500 2.3 (145PS) Turbo D Start/Stop | 1979 | 1561 | tbc | tbc | tbc | tbc | 32,810.00 | 33,708.33 |
| 3500 HD 2.3 (130PS) Turbo D | 2103 | 1437 | tbc | tbc | tbc | tbc | 32,300.00 | 33,198.33 |
| 3500 HD 2.3 (145PS) Turbo D Start/Stop | 2103 | 1437 | tbc | tbc | tbc | tbc | 33,410.00 | 34,308.33 |
| 4500 HD 2.3 (165PS) Turbo D Start/Stop Tacho | 2095 | 2445 | N/A (N2) | N/A (N2) | N/A (N2) | N/A (N2) | 36,315.00 | 37,118.33 |

Please note: On-the-road recommended retail prices (RRP) include number plates and delivery to Retailer of £583.33 (exc. VAT), 12 months' Vehicle Excise Duty at £260.00 (£165.00 on 4500kg models) and new vehicle first registration fee of £55.00. Excludes fuel and insurance.

All Movanos include BlueInjection. Vehicles with BlueInjection technology will need regular AdBlue® top-ups also between servicing requirements. An indicator integrated into the on-board computer will warn you when you need to top up. More information under www.vauxhall.co.uk/adblue. In accordance with regulations R (EC) No. 715/2007 and R (EC) No. 692/2008 (in the versions respectively applicable).

All conversions must follow 'Vauxhall Converter Requirements' including recommended dimensional data, detailed within Part 1, available at: www.converters-and-groupe-psa.com. The weight of any fitted conversion body will have to be deducted from these figures to establish actual payload and is subject to correct weight distribution. Variations from the recommended dimensions or weights may affect the vehicle's overall centre of gravity and stability. From 29 April 2013 conversion of N1 vehicles was affected by changes to type approval – for further information refer to the VCA website (N2 vehicles were affected from 29 October 2014). For further information please contact conversions@vauxhall.co.uk

#FWD fuel consumption and CO₂ data are determined using the Worldwide harmonized Light vehicles Test Procedure (WLTP), and the relevant values are translated back to allow the comparability into NEDC, according to regulations R (EC) No. 715/2007, R (EU) No. 2017/1153 and R (EU) No. 2017/1151. RWD fuel consumption and CO₂ data is official government environmental data, tested in accordance with the relevant EU directive. Official EU-regulated test data is provided for comparison purposes. The values do not take into account in particular use and driving conditions, equipment or options and may vary depending on the format of tyres. For more information on official fuel consumption and CO₂ emission values, please read the guidelines at <http://vanfueldata.dft.gov.uk/>

*For definitions please refer to Glossary of Terms.

NEW MOVANO CHASSIS CAB PRICES

| | Minimum Mass (kg)* | Maximum Payload (kg)* | Fuel economy mpg (litres/100km)# | | | CO ₂ (g/km)# | Price (£) exc. VAT | On-the-road RRP (£) exc. VAT |
|--|--------------------|-----------------------|----------------------------------|---------------------|-----------------|-------------------------|--------------------|------------------------------|
| | | | Urban driving | Extra-urban driving | Combined figure | | | |
| L4 H1 RWD CHASSIS CAB EURO VI d | | | | | | | | |
| 3500 HD 2.3 (130PS) Turbo D | 2133 | 1407 | tbc | tbc | tbc | tbc | 33,000.00 | 33,898.33 |
| 3500 HD 2.3 (145PS) Turbo D Start/Stop | 2133 | 1407 | tbc | tbc | tbc | tbc | 34,110.00 | 35,008.33 |
| 4500 HD 2.3 (165PS) Turbo D Start/Stop Tacho | 2133 | 2407 | N/A (N2) | N/A (N2) | N/A (N2) | N/A (N2) | 37,015.00 | 37,818.33 |

Please note: On-the-road recommended retail prices (RRP) include number plates and delivery to Retailer of £583.33 (exc. VAT), 12 months' Vehicle Excise Duty at £260.00 (£165.00 on 4500kg models) and new vehicle first registration fee of £55.00. Excludes fuel and insurance.

All Movanos include BlueInjection. Vehicles with BlueInjection technology will need regular AdBlue® top-ups also between servicing requirements. An indicator integrated into the on-board computer will warn you when you need to top up. More information under www.vauxhall.co.uk/adblue. In accordance with regulations R (EC) No. 715/2007 and R (EC) No. 692/2008 (in the versions respectively applicable).

All conversions must follow 'Vauxhall Converter Requirements' including recommended dimensional data, detailed within Part 1, available at: www.converters-and-groupe-psa.com. The weight of any fitted conversion body will have to be deducted from these figures to establish actual payload and is subject to correct weight distribution. Variations from the recommended dimensions or weights may affect the vehicle's overall centre of gravity and stability. From 29 April 2013 conversion of N1 vehicles was affected by changes to type approval – for further information refer to the VCA website (N2 vehicles were affected from 29 October 2014). For further information please contact conversions@vauxhall.co.uk

#Fuel consumption and CO₂ data is official government environmental data, tested in accordance with the relevant EU directive. Official EU-regulated test data is provided for comparison purposes. The values do not take into account in particular use and driving conditions, equipment or options and may vary depending on the format of tyres. For more information on official fuel consumption and CO₂ emission values, please read the guidelines at <http://vanfueldata.dft.gov.uk/>

*For definitions please refer to Glossary of Terms.

NEW MOVANO CREW CAB PRICES

| | Minimum Mass (kg)* | Maximum Payload (kg)* | Fuel economy mpg (litres/100km)# | | | CO ₂ (g/km)# | Price (£) exc. VAT | On-the-road RRP (£) exc. VAT |
|--|--------------------|-----------------------|----------------------------------|---------------------|-----------------|-------------------------|--------------------|------------------------------|
| | | | Urban driving | Extra-urban driving | Combined figure | | | |
| L2 H1 FWD CREW CAB EURO 6D TEMP | | | | | | | | |
| 3500 2.3 (135PS) Turbo D | 1990 | 1550 | tbc | tbc | tbc | tbc | 30,800.00 | 31,698.33 |
| L3 H1 FWD CREW CAB EURO 6D TEMP | | | | | | | | |
| 3500 2.3 (135PS) Turbo D | 2034 | 1506 | tbc | tbc | tbc | tbc | 31,300.00 | 32,198.33 |
| L2 H1 RWD CREW CAB EURO Vid | | | | | | | | |
| 3500 2.3 (130PS) Turbo D | 2164 | 1376 | tbc | tbc | tbc | tbc | 32,100.00 | 32,998.33 |
| L3 H1 RWD CREW CAB EURO Vid | | | | | | | | |
| 3500 2.3 (130PS) Turbo D | 2197 | 1343 | tbc | tbc | tbc | tbc | 32,600.00 | 33,498.33 |
| 3500 HD 2.3 (130PS) Turbo D | 2283 | 1257 | tbc | tbc | tbc | tbc | 33,200.00 | 34,098.33 |
| 4500 HD 2.3 (135PS) Turbo D Tacho | 2283 | 2257 | N/A (N2) | N/A (N2) | N/A (N2) | N/A (N2) | 34,855.00 | 35,658.33 |
| 4500HD 2.3 (165PS) Turbo D Start/Stop Tacho | tbc | tbc | tbc | tbc | tbc | tbc | 37,215.00 | 38,018.33 |
| L4 H1 RWD CREW CAB EURO Vid | | | | | | | | |
| 3500 2.3 (130PS) Turbo D | 2352 | 1188 | tbc | tbc | tbc | tbc | 33,900.00 | 34,798.33 |
| 4500 HD 2.3 (165PS) Turbo D Start/Stop Tacho | 2352 | 2188 | N/A (N2) | N/A (N2) | N/A (N2) | N/A (N2) | 37,915.00 | 38,718.33 |

Please note: On-the-road recommended retail prices (RRP) include number plates and delivery to Retailer of £583.33 (exc. VAT), 12 months' Vehicle Excise Duty at £260.00 (£165.00 on 4500kg models) and new vehicle first registration fee of £55.00. Excludes fuel and insurance.

All Movanos include BlueInjection. Vehicles with BlueInjection technology will need regular AdBlue® top-ups also between servicing requirements. An indicator integrated into the on-board computer will warn you when you need to top up.

More information under www.vauxhall.co.uk/adblue. In accordance with regulations R (EC) No. 715/2007 and R (EC) No. 692/2008 (in the versions respectively applicable).

All conversions must follow 'Vauxhall Convertor Requirements' including recommended dimensional data, detailed within Part 1, available at: www.converters-and-groupe-psa.com. The weight of any fitted conversion body will have to be deducted from these figures to establish actual payload and is subject to correct weight distribution. Variations from the recommended dimensions or weights may affect the vehicle's overall centre of gravity and stability. From 29 April 2013 conversion of N1 vehicles was affected by changes to type approval - for further information refer to the VCA website (N2 vehicles were affected from 29 October 2014). For further information please contact conversions@vauxhall.co.uk

#FWD fuel consumption and CO₂ data are determined using the Worldwide harmonized Light vehicles Test Procedure (WLTP), and the relevant values are translated back to allow the comparability into NEDC, according to regulations R (EC) No. 715/2007, R (EU) No. 2017/1153 and R (EU) No. 2017/1151. RWD fuel consumption and CO₂ data is official government environmental data, tested in accordance with the relevant EU directive. Official EU-regulated test data is provided for comparison purposes. The values do not take into account in particular use and driving conditions, equipment or options and may vary depending on the format of tyres. For more information on official fuel consumption and CO₂ emission values, please read the guidelines at <http://vanfueldata.dft.gov.uk/>

*For definitions please refer to Glossary of Terms.

NEW MOVANO PLATFORM CAB PRICES

| | Minimum Mass (kg)* | Maximum Payload (kg)* | Fuel economy mpg (litres/100km)# | | | CO ₂ (g/km)# | Price (£) exc. VAT | On-the-road RRP (£) exc. VAT |
|--|--------------------|-----------------------|----------------------------------|---------------------|-----------------|-------------------------|--------------------|------------------------------|
| | | | Urban driving | Extra-urban driving | Combined figure | | | |
| L3 H1 FWD PLATFORM CAB EURO 6D TEMP | | | | | | | | |
| 3500 2.3 (135PS) Turbo D | 1719 | 1821 | tbc | tbc | tbc | tbc | 30,400.00 | 31,298.33 |
| 3500 2.3 (150PS) Turbo D Start/Stop | 1728 | 1812 | tbc | tbc | tbc | tbc | 31,510.00 | 32,408.33 |
| L3 H2 FWD PLATFORM CAB EURO 6D TEMP | | | | | | | | |
| 3500 2.3 (135PS) Turbo D | 1735 | 1805 | tbc | tbc | tbc | tbc | 31,000.00 | 31,898.33 |
| 3500 2.3 (150PS) Turbo D Start/Stop | 1744 | 1796 | tbc | tbc | tbc | tbc | 32,110.00 | 33,008.33 |

Please note: On-the-road recommended retail prices (RRP) include number plates and delivery to Retailer of £583.33 (exc. VAT), 12 months' Vehicle Excise Duty at £260.00 and new vehicle first registration fee of £55.00. Excludes fuel and insurance.

All Movanos include BlueInjection. Vehicles with BlueInjection technology will need regular AdBlue® top-ups also between servicing requirements. An indicator integrated into the on-board computer will warn you when you need to top up.

More information under www.vauxhall.co.uk/adblue. In accordance with regulations R (EC) No. 715/2007 and R (EC) No. 692/2008 (in the versions respectively applicable).

All conversions must follow 'Vauxhall Convertor Requirements' including recommended dimensional data, detailed within Part 1, available at: www.converters-and-groupe-psa.com. The weight of any fitted conversion body will have to be deducted from these figures to establish actual payload and is subject to correct weight distribution. Variations from the recommended dimensions or weights may affect the vehicle's overall centre of gravity and stability. From 29 April 2013 conversion of N1 vehicles was affected by changes to type approval - for further information refer to the VCA website (N2 vehicles were affected from 29 October 2014). For further information please contact conversions@vauxhall.co.uk

#Fuel consumption data and CO₂ emission data are determined using the Worldwide harmonized Light vehicles Test Procedure (WLTP), and the relevant values are translated back to allow the comparability into NEDC, according to regulations R (EC) No. 715/2007, R (EU) No. 2017/1153 and R (EU) No. 2017/1151. The values do not take into account in particular use and driving conditions, equipment or options and may vary depending on the format of tyres. For more information on official fuel consumption and CO₂ emission values, please read the guidelines at <http://vanfueldata.dft.gov.uk/>

*For definitions please refer to Glossary of Terms.

NEW MOVANO TIPPER PRICES

| | Minimum Mass (kg)* | Maximum Payload (kg)* | Fuel economy mpg (litres/100km)# | | | CO ₂ (g/km)# | Price (£) exc. VAT | On-the-road RRP (£) exc. VAT |
|---|--------------------|-----------------------|----------------------------------|---------------------|-----------------|-------------------------|--------------------|------------------------------|
| | | | Urban driving | Extra-urban driving | Combined figure | | | |
| L2 H1 FWD CHASSIS CAB TIPPER EURO 6D TEMP | | | | | | | | |
| 3500 2.3 (135PS) Turbo D | 2381 | 1159 | tbc | tbc | tbc | tbc | 36,800.00 | 37,698.33 |
| 3500 2.3 (150PS) Turbo D Start/Stop | 2391 | 1149 | tbc | tbc | tbc | tbc | 37,910.00 | 38,808.33 |
| 3500 2.3 (180PS) Turbo D Start/Stop Tecshift | 2391 | 1149 | tbc | tbc | tbc | tbc | 39,160.00 | 40,058.33 |
| L2 H1 RWD CHASSIS CAB TIPPER EURO Vid | | | | | | | | |
| 3500 HD 2.3 (130PS) Turbo D | 2661 | 879 | tbc | tbc | tbc | tbc | 38,715.00 | 39,613.33 |
| 3500 HD 2.3 (145PS) Turbo D Start/Stop | 2661 | 879 | tbc | tbc | tbc | tbc | 39,825.00 | 40,723.33 |
| 3500 HD 2.3 (165PS) Turbo D Start/Stop | 2661 | 879 | tbc | tbc | tbc | tbc | 40,775.00 | 41,673.33 |
| 4500 HD 2.3 (165PS) Turbo D S/S Tacho BlueInjection | 2661 | 1879 | N/A (N2) | N/A (N2) | N/A (N2) | N/A (N2) | 42,730.00 | 43,533.33 |
| L3 H1 RWD CHASSIS CAB TIPPER EURO Vid | | | | | | | | |
| 3500 HD 2.3 (130PS) Turbo D | 2773 | 767 | tbc | tbc | tbc | tbc | 39,200.00 | 40,098.33 |
| 3500 HD 2.3 (145PS) Turbo D Start/Stop | 2773 | 767 | tbc | tbc | tbc | tbc | 40,310.00 | 41,208.33 |
| 4500 HD 2.3 (165PS) Turbo D S/S Tacho BlueInjection | 2773 | 1617 | N/A (N2) | N/A (N2) | N/A (N2) | N/A (N2) | 43,215.00 | 44,018.33 |

Please note: On-the-road recommended retail prices (RRP) include number plates and delivery to Retailer of £583.33 (exc. VAT), 12 months' Vehicle Excise Duty at £260.00 (£165.00 on 4500kg models) and new vehicle first registration fee of £55.00. Excludes fuel and insurance.

All Movanos include BlueInjection. Vehicles with BlueInjection technology will need regular AdBlue® top-ups also between servicing requirements. An indicator integrated into the on-board computer will warn you when you need to top up. More information under www.vauxhall.co.uk/adblue. In accordance with regulations R (EC) No. 715/2007 and R (EC) No. 692/2008 (in the versions respectively applicable).

#FWD fuel consumption and CO₂ data are determined using the Worldwide harmonized Light vehicles Test Procedure (WLTP), and the relevant values are translated back to allow the comparability into NEDC, according to regulations R (EC) No. 715/2007, R (EU) No. 2017/1153 and R (EU) No. 2017/1151. RWD fuel consumption and CO₂ data is official government environmental data, tested in accordance with the relevant EU directive. Official EU-regulated test data is provided for comparison purposes. The values do not take into account in particular use and driving conditions, equipment or options and may vary depending on the format of tyres. For more information on official fuel consumption and CO₂ emission values, please read the guidelines at <http://vanfueldata.dft.gov.uk/>

*For definitions please refer to Glossary of Terms.

NEW MOVANO TIPPER PRICES

| | Minimum Mass (kg)* | Maximum Payload (kg)* | Fuel economy mpg (litres/100km)# | | | CO ₂ (g/km)# | Price (£) exc. VAT | On-the-road RRP (£) exc. VAT |
|---|--------------------|-----------------------|----------------------------------|---------------------|-----------------|-------------------------|--------------------|------------------------------|
| | | | Urban driving | Extra-urban driving | Combined figure | | | |
| L3 H1 FWD CREW CAB TIPPER EURO 6D TEMP | | | | | | | | |
| 3500 2.3 (145PS) Turbo D Start/Stop | 2520 | 1020 | tbc | tbc | tbc | tbc | 39,310.00 | 40,208.33 |
| L3 H1 RWD CREW CAB TIPPER EURO VId | | | | | | | | |
| 4500 HD 2.3 (165PS) Turbo D Start/Stop Tacho | 2830 | 1710 | N/A (N2) | N/A (N2) | N/A (N2) | N/A (N2) | 44,115.00 | 44,918.33 |

Please note: On-the-road recommended retail prices (RRP) include number plates and delivery to Retailer of £583.33 (exc. VAT), 12 months' Vehicle Excise Duty at £260.00 (£165.00 on 4500kg models) and new vehicle first registration fee of £55.00. Excludes fuel and insurance.

All Movanos include BlueInjection. Vehicles with BlueInjection technology will need regular AdBlue® top-ups also between servicing requirements. An indicator integrated into the on-board computer will warn you when you need to top up. More information under www.vauxhall.co.uk/adblue. In accordance with regulations R (EC) No. 715/2007 and R (EC) No. 692/2008 (in the versions respectively applicable).

#FWD fuel consumption and CO₂ data are determined using the Worldwide harmonized Light vehicles Test Procedure (WLTP), and the relevant values are translated back to allow the comparability into NEDC, according to regulations R (EC) No. 715/2007, R (EU) No. 2017/1153 and R (EU) No. 2017/1151. RWD fuel consumption and CO₂ data is official government environmental data, tested in accordance with the relevant EU directive. Official EU-regulated test data is provided for comparison purposes. The values do not take into account in particular use and driving conditions, equipment or options and may vary depending on the format of tyres. For more information on official fuel consumption and CO₂ emission values, please read the guidelines at <http://vanfueldata.dft.gov.uk/>

*For definitions please refer to Glossary of Terms.

NEW MOVANO DROPSIDE PRICES

| | Minimum Mass (kg)* | Maximum Payload (kg)* | Fuel economy mpg (litres/100km)# | | | CO ₂ (g/km)# | Price (£) exc. VAT | On-the-road RRP (£) exc. VAT |
|--|--------------------|-----------------------|----------------------------------|---------------------|-----------------|-------------------------|--------------------|------------------------------|
| | | | Urban driving | Extra-urban driving | Combined figure | | | |
| L2 H1 FWD CHASSIS CAB DROPSIDE EURO 6D TEMP | | | | | | | | |
| 3500 2.3 (135PS) Turbo D | 2156 | 1384 | tbc | tbc | tbc | tbc | 31,850.00 | 32,748.33 |
| 3500 2.3 (150PS) Turbo D Start/Stop | 2166 | 1374 | tbc | tbc | tbc | tbc | 32,960.00 | 33,858.33 |
| L3 H1 FWD CHASSIS CAB DROPSIDE EURO 6D TEMP | | | | | | | | |
| 3500 2.3 (135PS) Turbo D | 2228 | 1312 | tbc | tbc | tbc | tbc | 32,850.00 | 33,748.33 |
| 3500 2.3 (150PS) Turbo D Start/Stop | 2237 | 1303 | tbc | tbc | tbc | tbc | 33,960.00 | 34,858.33 |
| L2 H1 RWD CHASSIS CAB DROPSIDE EURO Vld | | | | | | | | |
| 3500 2.3 (130PS) Turbo D | 2356 | 1184 | tbc | tbc | tbc | tbc | 33,150.00 | 34,048.33 |
| 3500 2.3 (145PS) Turbo D Start/Stop | 2356 | 1184 | tbc | tbc | tbc | tbc | 34,260.00 | 35,158.33 |
| 3500 HD 2.3 (130PS) Turbo D | 2447 | 1093 | tbc | tbc | tbc | tbc | 33,765.00 | 34,663.33 |
| 3500 HD 2.3 (145PS) Turbo D Start/Stop | 2447 | 1093 | tbc | tbc | tbc | tbc | 34,875.00 | 35,773.33 |
| L3 H1 RWD CHASSIS CAB DROPSIDE EURO Vld | | | | | | | | |
| 3500 HD 2.3 (145PS) Turbo D Start/Stop | 2491 | 1049 | tbc | tbc | tbc | tbc | 35,860.00 | 36,758.33 |
| 4500 HD 2.3 (130PS) Turbo D Tacho | 2496 | 2044 | N/A (N2) | N/A (N2) | N/A (N2) | N/A (N2) | 36,405.00 | 37,208.33 |
| L4 H1 RWD CHASSIS CAB DROPSIDE EURO Vld | | | | | | | | |
| 3500 HD 2.3 (145PS) Turbo D Start/Stop | 2576 | 964 | tbc | tbc | tbc | tbc | 36,560.00 | 37,458.33 |
| 4500 HD 2.3 (130PS) Turbo D Tacho | 2581 | 1959 | N/A (N2) | N/A (N2) | N/A (N2) | N/A (N2) | 37,105.00 | 37,908.33 |
| 4500 HD 2.3 (165PS) Turbo D Start/Stop Tacho | 2581 | 1959 | N/A (N2) | N/A (N2) | N/A (N2) | N/A (N2) | 39,465.00 | 40,268.33 |

Please note: On-the-road recommended retail prices (RRP) include number plates and delivery to Retailer of £583.33 (exc. VAT), 12 months' Vehicle Excise Duty at £260.00 (£165.00 on 4500kg models) and new vehicle first registration fee of £55.00. Excludes fuel and insurance.

All Movanos include BlueInjection. Vehicles with BlueInjection technology will need regular AdBlue® top-ups also between servicing requirements. An indicator integrated into the on-board computer will warn you when you need to top up. More information under www.vauxhall.co.uk/adblue. In accordance with regulations R (EC) No. 715/2007 and R (EC) No. 692/2008 (in the versions respectively applicable).

#FWD fuel consumption and CO₂ data are determined using the Worldwide harmonized Light vehicles Test Procedure (WLTP), and the relevant values are translated back to allow the comparability into NEDC, according to regulations R (EC) No. 715/2007, R (EU) No. 2017/1153 and R (EU) No. 2017/1151. RWD fuel consumption and CO₂ data is official government environmental data, tested in accordance with the relevant EU directive. Official EU-regulated test data is provided for comparison purposes. The values do not take into account in particular use and driving conditions, equipment or options and may vary depending on the format of tyres. For more information on official fuel consumption and CO₂ emission values, please read the guidelines at <http://vanfueldata.dft.gov.uk/>

*For definitions please refer to Glossary of Terms.

NEW MOVANO DROPSIDE PRICES

| | Minimum Mass (kg)* | Maximum Payload (kg)* | Fuel economy mpg (litres/100km)# | | | CO ₂ (g/km)# | Price (£) exc. VAT | On-the-road RRP (£) exc. VAT |
|---|--------------------|-----------------------|----------------------------------|---------------------|-----------------|-------------------------|--------------------|------------------------------|
| | | | Urban driving | Extra-urban driving | Combined figure | | | |
| L2 H1 FWD CREW CAB DROPSIDE EURO 6D TEMP | | | | | | | | |
| 3500 2.3 (135PS) Turbo D | 2313 | 1227 | tbc | tbc | tbc | tbc | 32,750.00 | 33,648.33 |
| L3 H1 FWD CREW CAB DROPSIDE EURO 6D TEMP | | | | | | | | |
| 3500 2.3 (135PS) Turbo D | 2384 | 1156 | tbc | tbc | tbc | tbc | 33,250.00 | 34,148.33 |
| 3500 2.3 (150PS) Turbo D Start/Stop | 2393 | 1147 | tbc | tbc | tbc | tbc | 34,360.00 | 35,258.33 |
| L2 H1 RWD CREW CAB DROPSIDE EURO Vid | | | | | | | | |
| 3500 2.3 (130PS) Turbo D | 2471 | 1069 | tbc | tbc | tbc | tbc | 34,050.00 | 34,948.33 |
| L4 H1 RWD CREW CAB DROPSIDE EURO Vid | | | | | | | | |
| 4500 HD 2.3 (165PS) Turbo D Start/Stop Tacho | 2626 | 1914 | N/A (N2) | N/A (N2) | N/A (N2) | N/A (N2) | 40,365.00 | 41,168.33 |

Please note: On-the-road recommended retail prices (RRP) include number plates and delivery to Retailer of £583.33 (exc. VAT), 12 months' Vehicle Excise Duty at £260.00 (£165.00 on 4500kg models) and new vehicle first registration fee of £55.00. Excludes fuel and insurance.

All Movanos include BlueInjection. Vehicles with BlueInjection technology will need regular AdBlue® top-ups also between servicing requirements. An indicator integrated into the on-board computer will warn you when you need to top up. More information under www.vauxhall.co.uk/adblue. In accordance with regulations R (EC) No. 715/2007 and R (EC) No. 692/2008 (in the versions respectively applicable).

#FWD fuel consumption and CO₂ data are determined using the Worldwide harmonized Light vehicles Test Procedure (WLTP), and the relevant values are translated back to allow the comparability into NEDC, according to regulations R (EC) No. 715/2007, R (EU) No. 2017/1153 and R (EU) No. 2017/1151. RWD fuel consumption and CO₂ data is official government environmental data, tested in accordance with the relevant EU directive. Official EU-regulated test data is provided for comparison purposes. The values do not take into account in particular use and driving conditions, equipment or options and may vary depending on the format of tyres. For more information on official fuel consumption and CO₂ emission values, please read the guidelines at <http://vanfueldata.dft.gov.uk/>

*For definitions please refer to Glossary of Terms.

NEW MOVANO BOX VAN PRICES

| | Minimum Mass (kg)* | Maximum Payload (kg)* | Fuel economy mpg (litres/100km)# | | | CO ₂ (g/km)# | Price (£) exc. VAT | On-the-road RRP (£) exc. VAT |
|---|--------------------|-----------------------|----------------------------------|---------------------|-----------------|-------------------------|--------------------|------------------------------|
| | | | Urban driving | Extra-urban driving | Combined figure | | | |
| L3 H1 FWD CHASSIS CAB BOX VAN 20 cu.m EURO 6D TEMP | | | | | | | | |
| 3500 2.3 (145PS) Turbo D | 2400 | 1140 | tbc | tbc | tbc | tbc | 37,190.00 | 38,088.33 |

Please note: On-the-road recommended retail prices (RRP) include number plates and delivery to Retailer of £583.33 (exc. VAT), 12 months' Vehicle Excise Duty £165.00 and new vehicle first registration fee of £55.00. Excludes fuel and insurance.

All Movanos include BlueInjection. Vehicles with BlueInjection technology will need regular AdBlue® top-ups also between servicing requirements. An indicator integrated into the on-board computer will warn you when you need to top up. More information under www.vauxhall.co.uk/adblue. In accordance with regulations R (EC) No. 715/2007 and R (EC) No. 692/2008 (in the versions respectively applicable).

#Fuel consumption data and CO₂ emission data are determined using the Worldwide harmonized Light vehicles Test Procedure (WLTP), and the relevant values are translated back to allow the comparability into NEDC, according to regulations R (EC) No. 715/2007, R (EU) No. 2017/1153 and R (EU) No. 2017/1151. The values do not take into account in particular use and driving conditions, equipment or options and may vary depending on the format of tyres. For more information on official fuel consumption and CO₂ emission values, please read the guidelines at <http://vanfueldata.dft.gov.uk/>

*For definitions please refer to Glossary of Terms.

NEW MOVANO MINIBUS PRICES

| | Minimum Mass (kg)* | Maximum Payload (kg)* | Fuel economy mpg (litres/100km)# | | | CO ₂ (g/km)# | Price (£) exc. VAT | On-the-road RRP (£) inc. VAT |
|--|--------------------|-----------------------|----------------------------------|---------------------|-----------------|-------------------------|--------------------|------------------------------|
| | | | Urban driving | Extra-urban driving | Combined figure | | | |
| L3 H2 FWD 17-SEAT MINIBUS EURO VI_d | | | | | | | | |
| 3900 HD 2.3 (145PS) Turbo D Start/Stop | 2660 | 1340 | N/A (M2) | N/A (M2) | N/A (M2) | N/A (M2) | 37,879.17 | 46,375.00 |

Please note: On-the-road recommended retail prices (RRP) include number plates and delivery to retailer of £700.00 (inc. £116.67 VAT), 12 months' Vehicle Excise Duty at £165.00 and new vehicle first registration fee of £55.00. Excludes fuel and insurance.

All Movanos include BlueInjection. Vehicles with BlueInjection technology will need regular AdBlue® top-ups also between servicing requirements. An indicator integrated into the on-board computer will warn you when you need to top up. More information under www.vauxhall.co.uk/adblue. In accordance with regulations R (EC) No. 715/2007 and R (EC) No. 692/2008 (in the versions respectively applicable).

#Fuel consumption data and CO₂ emission data are determined using the Worldwide harmonized Light vehicles Test Procedure (WLTP), and the relevant values are translated back to allow the comparability into NEDC, according to regulations R (EC) No. 715/2007, R (EU) No. 2017/1153 and R (EU) No. 2017/1151. The values do not take into account in particular use and driving conditions, equipment or options and may vary depending on the format of tyres. For more information on official fuel consumption and CO₂ emission values, please read the guidelines at <http://vanfueldata.dft.gov.uk/>

*For definitions please refer to Glossary of Terms.

NEW MOVANO TRABUS PRICES/FEATURES

| | Minimum Mass (kg)* | Maximum Payload (kg)* | Fuel economy mpg (litres/100km)# | | | CO ₂ (g/km)# | Price (£) exc. VAT | On-the-road RRP (£) exc. VAT |
|---|--------------------|-----------------------|----------------------------------|---------------------|-----------------|-------------------------|--------------------|------------------------------|
| | | | Urban driving | Extra-urban driving | Combined figure | | | |
| L3 H2 FWD TRABUS EURO VI^d | | | | | | | | |
| 3900 HD 2.3 (145PS) Turbo D Start/Stop | 2093 | 1837 | N/A (M2) | N/A (M2) | N/A (M2) | N/A (M2) | 34,540.00 | 35,343.33 |

The Vauxhall Trabus is a fully glazed panel van without bulkhead suitable for conversion into a passenger vehicle by a third-party Convertor. The Trabus includes basic Type Approval for registration as a Category M** Passenger Vehicle and 2nd stage Type Approval must be completed by the Convertor to enable registration. Available in two wheelbases the Trabus is fitted with the highly efficient and economical 2.3 Turbo D Euro VI engine with Start/Stop. There are no interior seats or internal trim within the load compartment.

Trabus highlights (The Trabus is an incomplete vehicle that can only be ordered through 'Special Build Request' process):

- Type-approved for Euro VI Category M emissions
- Driver's airbag
- Electronic stability programme
- Six-way adjustable driver's seat with armrest
- Dual front passengers' bench seat with dump latch facility
- Pulse cloth trim for front seats
- Digital Tachograph
- 62mph hardcoded Speed Limiter
- Front fog lights
- High beam assist
- Lane departure warning

- Multi-function trip computer
- Bulkhead not fitted
- Digital radio/CD/MP3 CD player/stereo radio/aux-in socket/Bluetooth® connectivity for compatible mobile phones/USB connectivity/integrated display/four 15-watt speakers (CD 16 DAB BT USB)
- No second or third-row seating
- Fixed windows – nearside and offside rear panels
- Selective door locking with three-button key
- Uprated battery (110Ah)
- Glazed rear doors (90/180° opening)
- Underfloor-mounted full-size spare wheel
- Centre wheel covers (full-diameter wheel covers optional)
- Nearside sliding side-access door and opposite panel with fixed windows

Please note: On-the-road recommended retail prices (RRP) include number plates and delivery to Retailer of £583.33 (exc. VAT), 12 months' Vehicle Excise Duty at £165.00 and new vehicle first registration fee of £55.00. Excludes fuel and insurance.

All Movanos include BlueInjection. Vehicles with BlueInjection technology will need regular AdBlue® top-ups also between servicing requirements. An indicator integrated into the on-board computer will warn you when you need to top up. More information under www.vauxhall.co.uk/adblue. In accordance with regulations R (EC) No. 715/2007 and R (EC) No. 692/2008 (in the versions respectively applicable).

All conversions must follow 'Vauxhall Convertor Requirements' including recommended dimensional data, detailed within Part 1, available at: www.converters-and-groupe-psa.com. The weight of any fitted conversion body will have to be deducted from these figures to establish actual payload and is subject to correct weight distribution. Variations from the recommended dimensions or weights may affect the vehicle's overall centre of gravity and stability. From 29 April 2013 conversion of N1 vehicles was affected by changes to type approval – for further information refer to the VCA website (N2 vehicles were affected from 29 October 2014). For further information please contact conversions@vauxhall.co.uk

#Fuel consumption data and CO₂ emission data are determined using the Worldwide harmonized Light vehicles Test Procedure (WLTP), and the relevant values are translated back to allow the comparability into NEDC, according to regulations R (EC) No. 715/2007, R (EU) No. 2017/1153 and R (EU) No. 2017/1151. The values do not take into account in particular use and driving conditions, equipment or options and may vary depending on the format of tyres. For more information on official fuel consumption and CO₂ emission values, please read the guidelines at <http://vanfueldata.dft.gov.uk/>

*For definitions please refer to Glossary of Terms. **M1 or M2 dependent on passenger configuration.

NEW MOVANO FEATURES/OPTIONS

SAFETY

| | Option code | Movano | Minibus | Trabus | Price (£) exc. VAT | Price (£) inc. VAT |
|--|-------------|--------|---------|--------|--------------------|--------------------|
| Driver/passenger airbags | | ● | ● | ● | | |
| • Driver's airbag | | | | | | |
| • Front passengers' airbag with deactivation switch – Not available with Convenience Pack option. | AK5 | ○ | ○ | ○ | 260.00 | 312.00 |
| Stability | | | | | | |
| • Electronic Stability Programme-plus (ESP-plus) with traction control and side wind assist – Works in conjunction with the vehicle's electronic braking and engine systems to keep the vehicle stable in many different situations. ESP monitors a variety of inputs to determine when the vehicle starts to lose traction, it can then immediately respond by varying the brake pressure between up to three wheels and adjust the engine output to help correct the loss of traction and improve stability. | | ● | ● | ● | | |
| Braking | | | | | | |
| • Four-channel Anti-lock Braking System (ABS) – Prevents the vehicle's wheels from locking up under heavy braking by momentarily reducing brake pressure at the appropriate wheel, ensuring that you can maintain control of the steering. | | ● | ● | ● | | |
| • Emergency brake assist – When emergency braking is detected the vehicle automatically applies the maximum possible braking assistance. | | | | | | |
| • Electronic brakeforce distribution – Automatically apportions the optimum braking force to each wheel. | | | | | | |
| • Hill start assist – Briefly maintains rear brake pressure to stop the vehicle rolling back on an incline. | | | | | | |
| Advanced emergency brake assist | | ● | ● | ● | | |
| – Standard on RWD HD 4500 models. | | | | | | |
| Safety Assist Pack | | | | | | |
| • High beam headlight assist • Lane departure warning | XiFH | ○ | | | 770.00 | 924.00 |
| Advanced Safety Assist Pack | | | | | | |
| • High beam headlight assist • Lane departure warning • Side blind spot alert – Standard on RWD HD 4500 models. | XiFJ | ○ | ● | ● | 550.00 | 660.00 |

● = Standard equipment. ○ = Optional at extra cost.

NEW MOVANO FEATURES/OPTIONS

SAFETY CONTINUED

| | Option code | Movano | Minibus | Trabus | Price (£) exc. VAT | Price (£) inc. VAT |
|--|-------------|--------|---------|--------|--------------------|--------------------|
| Bulkhead | | | | | | |
| • Full-height steel bulkhead without window – Standard on Panel Van/optional on Platform Cab models. | AX6 | ○ | | | 135.00 | |
| • Full-height ABS plastic bulkhead with window – Doublecab only. | | ● | | | | |
| • Full-height steel bulkhead with window – Standard on Chassis/Crew Cab models. Optional on Panel Van/Platform Cab models. | AX9 | ○ | | | 50.00 | |
| M1 Type Approval | | | | | | |
| • M1 Type Approval for all rear seatbelt anchorages – European test procedures are calculated on the basis that seatbelt loading in an accident is likely to be higher in smaller vehicles because the deceleration rate is greater. The anchorage requirements therefore vary according to the category of vehicle. An M1 category vehicle is one which is used for the carriage of passengers and has no more than eight seats in addition to the driver's seat; an M2 category vehicle has more than eight seats in addition to the driver's seat and a maximum weight not exceeding five tonnes. Although Movano minibuses fall into this latter category, to ensure optimum safety, Vauxhall has insisted that these minibuses are tested to ECE regulation 14.05 at M1 loading, which requires the seatbelt and their anchorages to perform satisfactorily under deceleration loading of 20G – twice that required by the M2 test. | | | ● | | | |

SECURITY

| | | | | | | |
|---|-----|---|---|---|--------|-------|
| Standard security features | | ● | ● | ● | | |
| • Electronic engine deadlock immobiliser • Steering column lock • Secure fuel filler flap | | | | | | |
| • Internal lockable rear and sliding side-access doors • Under-floor spare wheel storage – Wind down only when rear doors opened. Standard on Panel Van/Doublecab. | | ● | ● | ● | | |
| Remote control door locking (features depending on body type) | | ● | ● | ● | | |
| • Selective door locking • Two keys with integral remote • Door deadlocks | | | | | | |
| • Third key with integral remote | K69 | ○ | ○ | ○ | 60.00 | 72.00 |
| Security alarm system | | | | | | |
| • Engine compartment protection • Ultrasonic detectors in load area • Siren • Thatcham Category 1 approved (TCL1-101/1103) – Not available on Platform Cab models. | UA6 | ○ | | | 370.00 | |

● = Standard equipment. ○ = Optional at extra cost.

NEW MOVANO FEATURES/OPTIONS

HEATING AND VENTILATION

| | Option code | Movano | Minibus | Trabus | Price (£) exc. VAT | Price (£) inc. VAT |
|--|-------------|--------|---------|--------|--------------------|--------------------|
| Cab heating • Four-speed fan • Illuminated controls • Four adjustable facia vents • Windscreen demist vents • Side window demist vents | | ● | ● | ● | | |
| Air conditioning • Air recirculation facility • Pollen filter • Illuminated controls • Chilled glovebox facility | C60 | ○ | | ○ | 700.00 | 840.00 |
| • Air conditioning front and rear | CJ5 | | ○ | ○ | 2,210.00 | 2,652.00 |
| Electronic climate control • Incorporating air conditioning • LCD temperature display • Automatic air direction and fan speed with manual override • Illuminated controls • Pollen filter • Chilled glovebox facility | C61 | ○ | | | 910.00 | |

Please note: The air conditioning in vehicles with N1, N2 or M2 type approval relies upon fluorinated greenhouse gases (R134a) for its functioning. The front system contains a quantity of overall 580g of R 134a, which corresponds to a CO₂ equivalent of 0.83 tons. The front and rear system in versions with up to 9-seats contains a quantity of overall 1,100g of R 134a, which corresponds to a CO₂ equivalent of 1.57 tons. The front and rear system in versions with more than 16-seats contains a quantity of overall 1,700g of R 134a, which corresponds to a CO₂ equivalent of 2.43 tons. The global warming potential amounts to 1430. Information acc. to R (EU) No. 517/2014.

● = Standard equipment. ○ = Optional at extra cost.

NEW MOVANO FEATURES/OPTIONS

COMFORT AND SEATING

| | Option code | Movano | Minibus | Trabus | Price (£) exc. VAT | Price (£) inc. VAT |
|---|-------------|--------|---------|--------|--------------------|--------------------|
| Comfort <ul style="list-style-type: none"> • Height-adjustable steering wheel • Facia-mounted gear lever • Floor-mounted handbrake lever • Pulse cloth seat trim • Vinyl floor covering • Inertia-reel lap and diagonal seatbelts • Height-adjustable outer front seatbelts • Slip-resistant floor covering – Minibus models. | | ● | ● | ● | | |
| Vinyl seat trim <ul style="list-style-type: none"> • Grey vinyl seat trim – Not available with Convenience Pack/Construction Pack/air-suspended driver's seat options/ dual front passengers' multi-function office bench seat. | TACQ | ○ | | | 50.00 | |
| Driver's seat <ul style="list-style-type: none"> • Height • Reach • Backrest recline • Height-adjustable padded head restraint • Driver's seat armrest | | ● | ● | ● | | |
| 'Comfort' driver's seat <ul style="list-style-type: none"> • Lumbar adjustment • Height • Reach • Backrest recline • Height-adjustable padded head restraint • Centre fold-away armrest – Not available with Construction Pack option or on L4 R3500 HD Dropside models. | B21 | ○ | ○ | ○ | 135.00 | 162.00 |
| Dual front passengers' bench seat <ul style="list-style-type: none"> • Fixed position bench seat and backrest • Height-adjustable outer front padded head restraint • Fixed centre seat padded head restraint – Not available on Doublecab models. | | ● | ● | ● | | |
| Dual front passengers' multi-function office bench seat <ul style="list-style-type: none"> • Dual front passengers' bench seat • Centre seat features flat-folding backrest with twin drinks holders, flat work surface and swivelling tray • Underseat storage – Standard on Doublecab models. | | ● | | | | |

● = Standard equipment. ○ = Optional at extra cost.

NEW MOVANO FEATURES/OPTIONS

COMFORT AND SEATING CONTINUED

| | Option code | Movano | Minibus | Trabus | Price (£) exc. VAT | Price (£) inc. VAT |
|--|-------------|--------|---------|--------|--------------------|--------------------|
| Single front passenger's seat • Reach • Backrest recline • Height-adjustable padded head restraint – Not available with Convenience Pack option. | AE1 | ○ | | ○ | 60.00 | |
| Convenience Pack • 'Comfort' driver's seat with armrest and lumbar support • Multi-function office bench seat with folding seat back on centre passenger seat including swivelling work tray and tilt forward seat cushions with underseat storage – Excluding RWD Chassis Cab Tipper models • Dual front passengers' bench seat with dump latch facility – RWD Chassis Cab Tipper models • Retractable A4 facia document clip • 'One-touch down' facility for driver's electrically operated window • Bulkhead soundproofing (excluding Platform Cab) – Not available on Crew Cab models or when single passenger's seat/passengers' airbag/vinyl seat trim are specified. | XiC6 | ○ | | | 450.00 | |
| Full-length soft-trimmed headlining | | | ● | | | |
| Full-height interior side mouldings | | | ● | | | |
| Doublecab rear seating • Four-individually contoured rear seats • Inertia-reel lap and diagonal seatbelts • Padded head restraints • Integrated storage nets and cup holders • Full-length tray under rear seat cushion | | ● | | | | |
| Minibus rear seating • 14-individual rear passenger seats in staggered layout • Raised seating with illuminated gangway | | | ● | | | |

● = Standard equipment. ○ = Optional at extra cost.

NEW MOVANO FEATURES/OPTIONS

CABIN STORAGE

| | Option code | Movano | Minibus | Trabus | Price (£) exc. VAT | Price (£) inc. VAT |
|---|-------------|--------|---------|--------|--------------------|--------------------|
| Accessory sockets • 12-volt accessory socket beside gear lever | | ● | ● | ● | | |
| Facia storage • Driver's coin, ticket and card holder • Driver's oddments storage • Lidded glovebox (11-litre capacity) • Central drinks holder • Front passenger semi-covered document tray | | ● | ● | ● | | |
| Front door pockets • Large door pocket with capacity for a 2-litre drink bottle • Oddments pocket | | ● | ● | ● | | |
| Additional storage • Overhead storage shelf | | ● | ● | ● | | |

● = Standard equipment.

NEW MOVANO FEATURES/OPTIONS

DRIVER ASSISTANCE

| | Option code | Movano | Minibus | Trabus | Price (£) exc. VAT | Price (£) inc. VAT |
|---|---|--------|---------|--------|--------------------|--------------------|
| Windscreen wipers • Rain-sensitive windscreen wipers • Electric screenwash | | ● | ● | ● | | |
| Parking assistance • Rear-view camera – Panel Van/Doublecab models. | UVC | ○ | | | 760.00 | |
| • Permanent rear-view camera – Panel Van/Doublecab models. | 5J6 | ○ | | | 850.00 | |
| • Front and rear parking distance sensors | UD5 | ○ | | | 300.00 | |
| • Rear-view camera • Front and rear parking distance sensors | UE5 | ○ | | | 450.00 | |
| • Rear parking distance sensors – Not available on Chassis/Crew/Platform Cab models or derivatives. | UD7 | ○ | ○ | ○ | 275.00 | 330.00 |
| • Rear-view camera • Rear parking distance sensors – Panel Van/Doublecab models | UCI | ○ | | | 1,025.00 | 1,230.00 |
| • Nearside blind spot/junction mirror located in front passenger sunvisor | | ● | ● | ● | | |
| Cruise control, speed limiter and multi-function trip computer • Cruise control • Trip odometer • Vehicle range based on remaining fuel • Average speed • Average fuel economy • Instantaneous fuel economy • Driving time | K34 | ○ | ○ | ○ | 260.00 | 312.00 |
| Speed limiter – These are factory-fitted speed limiters that cannot be adjusted by driver. • Choice of three speeds: 56mph/62mph/68mph – 56mph speed limiter standard on RWD HD 4500 models. 62mph speed limiter standard on Minibus/Trabus. | KYJ (56mph) KYK (62mph) KYL (68mph) | ○ | ● | ● | 85.00 | 102.00 |

● = Standard equipment. ○ = Optional at extra cost.

NEW MOVANO FEATURES/OPTIONS

DRIVER INFORMATION

| | Option code | Movano | Minibus | Trabus | Price (£) exc. VAT | Price (£) inc. VAT |
|---|-------------|--------|---------|--------|--------------------|--------------------|
| Instrumentation <ul style="list-style-type: none"> • Speedometer • Rev counter • Digital fuel gauge with low fuel warning light • Coolant temperature gauge with warning light | | ● | ● | ● | | |
| ECO features <ul style="list-style-type: none"> • Shift-up indicator (manual models) – Indicates when to change gear for optimum fuel economy. | | ● | ● | ● | | |
| Driver information display <ul style="list-style-type: none"> • Monochrome display located in instrument cluster • Odometer • Service-due indicator • Displays trip computer data (when fitted) | | ● | ● | ● | | |
| Central fascia display <ul style="list-style-type: none"> • Audio information • Digital clock with automatic RDS time adjustment • Outside air temperature with ice warning function • Additional features and location dependent on infotainment unit (see Infotainment for details) | | ● | ● | ● | | |
| Warning indicators <ul style="list-style-type: none"> • Low oil level, low brake fluid, brake pad wear, battery, fuel filter, low AdBlue® level, seatbelt warning and doors open | | ● | ● | ● | | |
| Digital tachograph <ul style="list-style-type: none"> • CANbus interface • Odometer display is changed from miles to kilometres – Standard on RWD HD 4500/Minibus/Trabus models. Not available with pneumatic rear suspension. – Important: The digital tachograph must be specified at time of ordering as it cannot be fitted retrospectively. Option price does not include calibration which must be carried out at an approved tachograph centre within 14 days of the vehicle's registration. Please note: The legislation regarding the use of tachographs is complex and operators should seek independent advice or speak to the Commercial Vehicle specialist at your Vauxhall retailer to ensure compliance. Alternatively your local DVLA office will also be able to provide clarification of the relevant legislation. | TGF | ○ | ● | ● | 535.00 | 642.00 |

● = Standard equipment. ○ = Optional at extra cost.

NEW MOVANO FEATURES/OPTIONS

INFOTAINMENT

| | Option code | Movano | Minibus | Trabus | Price (£) exc. VAT | Price (£) inc. VAT |
|--|-------------|--------|---------|--------|--------------------|--------------------|
| <p>CD 16 BT USB</p> <p>Onboard features:</p> <ul style="list-style-type: none"> • DAB digital radio • AM/FM stereo radio with 18-station presets • CD/MP3 CD player • High-level display • RDS with Traffic Programme • Two 15-watt speakers <p>Media connections:</p> <ul style="list-style-type: none"> • USB connection with iPod control • Aux-in socket • Bluetooth® audio streaming (A2DP Profile) <p>Mobile phone portal:</p> <ul style="list-style-type: none"> • Bluetooth® connectivity • Handsfree calls via steering wheel controls • Vehicle microphone • Phone book access – Contacts/last calls/missed calls etc. (features dependent on mobile phone). | | ● | ● | ● | | |
| <p>Multimedia Navi Pro</p> <p>Onboard features:</p> <ul style="list-style-type: none"> • 7-inch colour touchscreen • AM/FM stereo radio with 15 Station presets • DAB Digital radio • RDS with Traffic Programme • 20 watts per channel output • Four speakers (eight on Doublecab models) <p>Navigation features:</p> <ul style="list-style-type: none"> • Satellite navigation system • 3D street level mapping • European coverage • Structured or one-box destination entry • Points-of-interest search • Eco routing • Map updates via USB <p>Wi-fi enabled connected navigation features:</p> <ul style="list-style-type: none"> • Three years subscription to TomTom Live* • On-line navigation services provided by TomTom® include: • TomTom® live traffic updates • Local weather information • Nearby fuel station display • Local address search and contact info for points of interest <p>Media connections:</p> <ul style="list-style-type: none"> • USB connection with iPod control • Bluetooth® A2DP audio streaming (Advanced Audio Distribution Profile) <p>Mobile phone portal:</p> <ul style="list-style-type: none"> • Bluetooth® connectivity • Handsfree calls via steering wheel controls • Vehicle microphone • Phone book access – Contacts/last calls/missed calls etc. are mirrored on the display and are easily navigated using the touchscreen (features dependent on mobile phone). <p>Smartphone interface:</p> <ul style="list-style-type: none"> • Apple CarPlay™ • Android Auto™ – Smartphone projection that allows operations via voice command, touchscreen and buttons to control apps and music playback. | 1OR | ○ | | ○ | 760.00 | 912.00 |
| <p>Additional features</p> <ul style="list-style-type: none"> • Steering column mounted audio controls • Flexible roof-mounted aerial | | ● | ● | ● | | |

*Additional terms and conditions apply to connected services, including customer acceptance of location sharing prior to activation.

● = Standard equipment. ○ = Optional at extra cost.

NEW MOVANO FEATURES/OPTIONS

LOAD ACCESS

| | Option code | Movano | Minibus | Trabus | Price (£) exc. VAT | Price (£) inc. VAT |
|---|-------------|--------|---------|--------|--------------------|--------------------|
| Nearside access Nearside side-access door: <ul style="list-style-type: none"> • Nearside sliding side-access door • Unglazed - Standard on Panel Van. | | ● | | | | |
| Nearside side-access door with fixed windows: <ul style="list-style-type: none"> • Fixed window to standard nearside sliding side-access door (£200) • Fixed window to opposite offside body panel (£165) - Standard on Doublecab. | | ▲ | ● | ● | 365.00 | |
| Nearside side-access door with sliding windows: <ul style="list-style-type: none"> • Sliding window to standard nearside sliding side-access door (£335) • Sliding window to opposite offside body panel (£335) | | ▲ | | ▲ | 670.00 | |
| Nearside sidestep: <ul style="list-style-type: none"> • Electrically operated sidestep | | | ● | | | |
| Offside access Offside side-access door: <ul style="list-style-type: none"> • Offside sliding side-access door • Unglazed - Panel Van only. | | ▲ | | | 310.00 | |
| Offside side-access door with fixed windows: <ul style="list-style-type: none"> • Fixed window to standard nearside sliding side-access door (£200) • Offside side-access door (£310) • Fixed window to offside side-access door (£165) | | ▲ | | | 675.00 | |
| Offside side-access door with sliding windows: <ul style="list-style-type: none"> • Sliding window to standard nearside sliding side-access door (£335) • Offside side-access door (£310) • Sliding window to offside side-access door (£335) | | ▲ | | | 980.00 | 1,176.00 |

● = Standard equipment. ▲ = Please refer to ordering guide.

NEW MOVANO FEATURES/OPTIONS

LOAD ACCESS CONTINUED

| | Option code | Movano | Minibus | Trabus | Price (£) exc. VAT | Price (£) inc. VAT |
|---|-------------|--------|---------|--------|--------------------|--------------------|
| Rear access | | | | | | |
| Rear solid doors: • Twin rear doors • 90°/180° opening | | ● | | | | |
| • Twin rear doors • 270° opening – Not available on L1 models. | 7U4 | ○ | | | 285.00 | |
| Rear glazed doors: • Glazed rear doors • 90°/180° opening | J1X | ○ | ● | ● | 110.00 | |
| • Heated rear windows – Only available with glazed rear doors. | C49 | ○ | ○ | ○ | 110.00 | 132.00 |
| Glazed Pack | | | | | | |
| • Fixed window to standard nearside side-access door • Fixed window to opposite offside body panel • Rear glazed doors • Rear glazed side panels | A10 | ○ | ● | ● | 430.00 | |

● = Standard equipment. ○ = Optional at extra cost.

NEW MOVANO FEATURES/OPTIONS

LOAD RESTRAINT

| | Option code | Movano | Minibus | Trabus | Price (£) exc. VAT | Price (£) inc. VAT |
|--|-------------|---------|---------|--------|--------------------|--------------------|
| Load anchorage <ul style="list-style-type: none"> • Fixed floor-mounted load restraint lashing eyes (L1 models x 6, L2/L3 models x 8, L4 models x 10) • Nearside/offside rear door column load restraint lashing eyes | | ● | | | | |
| Load lining <ul style="list-style-type: none"> • Full-height plywood load lining • Plywood wheel arch protection - Not available with glazed side-access door(s). Only available with resin-coated plywood load floor covering. | N20 | L1 H1 ○ | | | 590.00 | |
| | | L1 H2 ○ | | | 600.00 | |
| | | L2 ○ | | | 615.00 | |
| | | L3 ○ | | | 630.00 | |
| | | L4 ○ | | | 780.00 | |
| <ul style="list-style-type: none"> • Resin-coated plywood load floor covering – Panel Van only. | B68 | L1 H2 ○ | | | 330.00 | |
| | | L3 H4 ○ | | | 370.00 | |
| Illuminated load area | | ● | | | | |
| LED illuminated load area | 8G9 | ○ | | | 100.00 | |
| Individual saloon lighting | | | ● | | | |

● = Standard equipment. ○ = Optional at extra cost.

NEW MOVANO FEATURES/OPTIONS

EXTERIOR CONVENIENCE/STYLING

| | Option code | Movano | Minibus | Trabus | Price (£) exc. VAT | Price (£) inc. VAT |
|---|-------------|--------|---------|--------|--------------------|--------------------|
| Exterior features • Integral steps in front bumper • Laminated windscreen • Body side-protection mouldings | | ● | ● | ● | | |
| • Front and rear mudflaps | Q8H | ○ | ○ | ○ | 80.00 | 96.00 |
| • Rear bumper with integral step – Standard on RWD/RWD HD Panel Van/Doublecab models. Optional on FWD Panel Van/Doublecab models. | VF6 | ○ | | | 260.00 | 312.00 |
| Windows • Electrically operated front windows | | ● | ● | ● | | |
| Door mirrors • Foldable electrically adjustable/heated door mirrors • Wide-angle mirror on driver's side • Integrated side-repeat indicators | | ● | ● | ● | | |
| Extendable door mirrors (Chassis, Crew and Platform Cab) • Long arm exterior mirrors – Long arm exterior mirrors should be applied to any vehicle with an overall width of 2.17 to 2.35 metres. | DBE | ○ | | | 85.00 | |
| Paint finish • Special paint – Restrictions apply, please consult your Retailer for details. | | ○ | ○ | ○ | | At extra cost |

● = Standard equipment. ○ = Optional at extra cost.

NEW MOVANO FEATURES/OPTIONS

EXTERIOR LIGHTING

| | Option code | Movano | Minibus | Trabus | Price (£) exc. VAT | Price (£) inc. VAT |
|--|-------------|--------|---------|--------|--------------------|--------------------|
| Standard lighting • Automatic lighting control with tunnel detection • Lights-on audible warning • Manual headlight beam levelling • Twin reversing lights • Hazard warning lights • Rear fog lights • Centre rear brake light (excluding Chassis/Crew/Platform Cab models or derivatives) • Side-repeater in exterior mirrors | | ● | ● | ● | | |
| • Front fog lights – Standard on 4500 models. | T3U | ○ | ● | ● | 105.00 | 126.00 |
| Lighting Pack • Static cornering lights • Front fog lights • Automatic lighting control • Rain-sensitive windscreen wipers • Door-to-door illumination – Standard on 4500 models. | HME | ○ | | | 255.00 | 306.00 |

● = Standard equipment. ○ = Optional at extra cost.

NEW MOVANO FEATURES/OPTIONS

MECHANICAL

| | Option code | Movano | Minibus | Trabus | Price (£) exc. VAT | Price (£) inc. VAT | | | | | | | | | | | | | | | | | | |
|---|-----------------|-----------------|--------------|--------|------------------------|--------------------|-------------------|-----------------|-----------------|--------|-----------------|-----------------|---------------|-----------------|-----------------|---------------|-----------------|-----------------|--|---|---|---|--|--|
| Transmission Six-speed manual gearbox: FWD models: • Transverse engine/gearbox • L1/L2/L3 models RWD/RWD HD models: • Longitudinal engine/gearbox • L3/L4 models | | ● | ● | ● | | | | | | | | | | | | | | | | | | | | |
| Tecshift six-speed transmission: Tecshift transmission adds electronic control for both the clutch and gear selection to the standard six speed transmission. <ul style="list-style-type: none"> • Electronic clutch control – Tecshift automatically operates the clutch, meaning that there is no clutch pedal and the vehicle can be driven by an ‘automatic-only’ driving licence holder. • Electronic gear selection – Tecshift also controls gear selection, leaving the driver with two gear-shifting options – automatic or manual. • Automatic mode – The driver selects forward or reverse gear and Tecshift does everything else, just like an automatic gearbox. • Manual mode – The driver can change gear sequentially by pushing the lever forward (higher gear) or pulling it backwards (lower gear). • A ‘kickdown’ function – Going through two or more gears – is also possible in manual mode. | | ○ | | | See price pages | | | | | | | | | | | | | | | | | | | |
| Steering • Power-assisted rack and pinion system • Turns lock-to-lock: 3.7 | | | | | | | | | | | | | | | | | | | | | | | | |
| <table border="1"> <thead> <tr> <th>Turning circles</th> <th>Kerb-to-kerb</th> <th>Wall-to-wall</th> </tr> </thead> <tbody> <tr> <td>FWD L1</td> <td>12.0m (39.3ft.)</td> <td>12.5m (41.0ft.)</td> </tr> <tr> <td>FWD/RWD/RWD HD L2</td> <td>13.6m (44.6ft.)</td> <td>14.1m (46.2ft.)</td> </tr> <tr> <td>FWD L3</td> <td>15.7m (51.5ft.)</td> <td>16.2m (53.1ft.)</td> </tr> <tr> <td>RWD/RWD HD L3</td> <td>13.6m (44.6ft.)</td> <td>14.1m (46.2ft.)</td> </tr> <tr> <td>RWD/RWD HD L4</td> <td>15.7m (51.5ft.)</td> <td>16.2m (53.1ft.)</td> </tr> </tbody> </table> | Turning circles | Kerb-to-kerb | Wall-to-wall | FWD L1 | 12.0m (39.3ft.) | 12.5m (41.0ft.) | FWD/RWD/RWD HD L2 | 13.6m (44.6ft.) | 14.1m (46.2ft.) | FWD L3 | 15.7m (51.5ft.) | 16.2m (53.1ft.) | RWD/RWD HD L3 | 13.6m (44.6ft.) | 14.1m (46.2ft.) | RWD/RWD HD L4 | 15.7m (51.5ft.) | 16.2m (53.1ft.) | | ● | ● | ● | | |
| Turning circles | Kerb-to-kerb | Wall-to-wall | | | | | | | | | | | | | | | | | | | | | | |
| FWD L1 | 12.0m (39.3ft.) | 12.5m (41.0ft.) | | | | | | | | | | | | | | | | | | | | | | |
| FWD/RWD/RWD HD L2 | 13.6m (44.6ft.) | 14.1m (46.2ft.) | | | | | | | | | | | | | | | | | | | | | | |
| FWD L3 | 15.7m (51.5ft.) | 16.2m (53.1ft.) | | | | | | | | | | | | | | | | | | | | | | |
| RWD/RWD HD L3 | 13.6m (44.6ft.) | 14.1m (46.2ft.) | | | | | | | | | | | | | | | | | | | | | | |
| RWD/RWD HD L4 | 15.7m (51.5ft.) | 16.2m (53.1ft.) | | | | | | | | | | | | | | | | | | | | | | |
| Brakes Front ventilated disc brakes: • FWD/RWD/RWD HD: 302mm x 28mm Rear disc brakes: • FWD/RWD: 305mm x 12mm • RWD HD: 305mm x 18mm | | ● | ● | ● | | | | | | | | | | | | | | | | | | | | |

● = Standard equipment. ○ = Optional at extra cost.

NEW MOVANO FEATURES/OPTIONS

MECHANICAL CONTINUED

| | Option code | Movano | Minibus | Trabus | Price (£) exc. VAT | Price (£) inc. VAT |
|--|-------------|--------|---------|--------|--------------------|--------------------|
| Fuel tank | | ● | ● | ● | | |
| • 80 litres (17.6 gallons) capacity | | | | | | |
| • 105 litres (23.1 gallons) capacity – Not available on Core Conversions (excluding L3 Box). | NH7 | ○ | | ○ | 110.00 | 132.00 |
| AdBlue® tank | | ● | ● | ● | | |
| • 22 litres (4.8 gallons) capacity | | | | | | |
| Towing | | | | | | |
| • Tow bar with 13-pin electrics (does not suit trailers with LED lights) • Trailer stability programme – Unless specific exemptions apply, vehicles operated with a trailer, where the combined weight of the vehicle, trailer and payload exceeds 3500kg, require a digital tachograph. For trailers with LED lights use genuine Vauxhall Accessory tow bars which also include trailer stability programme. Not available on Aluminium Tipper L4 H1 RWD Crew Cab HD models. | VR2/VTO | ○ | | | 385.00 | 462.00 |
| Electrical | | ● | ● | ● | | |
| • 95Ah maintenance-free battery (105Ah on Tecshift models) • 185A alternator | | | | | | |
| • Second battery – Requires six- or 16-pin electrical connector/tow bar/digital tachograph. Not available with single passenger seat options. | OBC | ○ | ○ | | 485.00 | 582.00 |
| CANbus interface | | | | | | |
| Allows the vehicle's electrical systems to integrate with additional equipment. – Standard on RWD HD 4500 models. | KC6 | ○ | | | 135.00 | |
| Six-pin electrical connector for conversions | | | | | | |
| – Standard on Droptside/Tipper. | KPD | ○ | | | 60.00 | |

● = Standard equipment. ○ = Optional at extra cost.

NEW MOVANO FEATURES/OPTIONS

MECHANICAL CONTINUED

| | Option code | Movano | Minibus | Trabus | Price (£) exc. VAT | Price (£) inc. VAT |
|---|-------------|--------|---------|--------|--------------------|--------------------|
| Front suspension • MacPherson type • Independent double wishbones • Coil springs • Telescopic dampers | | ● | ● | ● | | |
| Rear suspension • Tubular axle • Telescopic dampers • Variable rate leaf springs FWD models: • Single leaf springs • Single rear wheels RWD models: • Double leaf springs • Single rear wheels RWD HD models: • Triple leaf springs • Twin rear wheels | | ● | ● | ● | | |
| Body Conversion Pack A (Chassis and Platform Cab) • Extended wiring loom • Six-pin connector for conversions • 16-pin connector for cab-based conversions | XZCM | ○ | | | 95.00 | |
| Body Conversion Pack B (Crew Cab) • Extended wiring loom • Six-pin connector for conversions | XZCN | ○ | | | 60.00 | |

● = Standard equipment. ○ = Optional at extra cost.











NEW MOVANO FEATURES/OPTIONS

ADDITIONAL FEATURES

| | Option code | Movano | Minibus | Trabus | Price (£) exc. VAT | Price (£) inc. VAT |
|---|-------------|--------|---------|--------|--------------------|--------------------|
| Tipper Tipper assembly: <ul style="list-style-type: none"> • Five-stage chrome-plated underfloor ram • Sliding and internal self-lubricating components made of reinforced nylon and Teflon • Anti-vibration Teflon plates on a secondary frame Tipper deck: <ul style="list-style-type: none"> • Steel platform, powder coated in dark grey • Integrated cabin protection and ladder rack • 400mm anodised aluminium removable side and rear alloy panels with recessed hinges • Top and bottom hinged rear panel • Recessed side and tailboard operating levers • Removable rear posts • Galvanised fixing bolts • Automatically releasing rear panel during the rear tipping phase • Frame and cross-members in edged galvanised sheet Electrics: <ul style="list-style-type: none"> • Audible warning during operation • Fused power supply with isolator switch • Electro/hydraulic power pack • Side lights where required • Remote control on wander lead located behind driver's seat Exterior: <ul style="list-style-type: none"> • Additional half-height tool box on L3 Chassis Cab Tipper models (2100 x 650 x 750mm) • Rear mudflaps • Side-protection under-run bars – 4500 models only Load restraint: <ul style="list-style-type: none"> • Eight integrated load lashing points conforming to DIN 75410 standards | | ● | | | | |
| Dropside Exterior: <ul style="list-style-type: none"> • Plywood load floor with non-slip resin surface coating • Integrated cabin protection and ladder rack • 400mm anodised aluminium removable side and rear alloy panels with recessed hinges • Removable rear posts • Integrated load lashing rings conforming to DIN 75410 standards • Rear mudguards • Galvanised fixing bolts • Side lights where required • Frame and cross-members in edged galvanised sheet • Side-protection under-run bars – 4500 models only | | ● | | | | |
| Box Van Interior/exterior: <ul style="list-style-type: none"> • Polyester lightweight box with smooth external appearance • Aluminium frame • Long arm exterior mirrors • 18mm plywood covered anti-slip floor • Twin rear 270° opening aluminium doors • Folding rear step fitted to offside | | ● | | | | |
| Rear roller shutter door | D5W | ○ | | | 760.00 | |

● = Standard equipment. ○ = Optional at extra cost.

NEW MOVANO EXTERIOR COLOURS

| | | | | | Movano | Minibus | Trabus | Price (£) exc. VAT | Price (£) inc. VAT |
|-----------|---|--|---|--|--------|---------|--------|-----------------------|-----------------------|
| Solid |  | Polar White (GNY) VX_COL_PolarWhite_GNY |  | North Sea Blue (24U) VX_COL_NorthSeaBlue_24U | ● | ● | ● | | |
| |  | Signal Blue (GKX) VX_COL_SignalBlue_GKX |  | Slate Grey (GGL) VX_COL/VX_COL_SlateGrey_GGL | | | | | |
| |  | Saffron Yellow (98U) VX_COL_SaffronYellow_98U | | | | | | | |
| Brilliant |  | Poppy Red (74U) VX_COL_PoppyRed_74U |  | Mandarin Orange (99U) VX_COL_MandarinOrange_99U | ○ | ○ | ○ | 320.00 | 384.00 |
| Two-coat |  | Halo Silver metallic (GKY) VX_COL_HaloSilver_GKY |  | Pearl Black metallic (GUK) VX_COL_PearlBlack_GUK | ○ | ○ | ○ | 600.00 | 720.00 |
| |  | Ambient Blue metallic (GKW) VX_COL_AmbientBlue_GKW | | | | | | | |

The colours reproduced may vary slightly from the actual paint colour. As a result they should be used as a guide only. Your Vauxhall Retailer has a comprehensive display of our paint samples.

On Cab and Conversion variants the colours illustrated apply to the vehicle cab only.

● = Standard equipment. ○ = Optional at extra cost.

NEW MOVANO WHEELS AND TYRES





| | Option code | Movano | Minibus | Trabus | Price (£) exc. VAT | Price (£) inc. VAT |
|---|-------------|--------|---------|--------|--------------------|--------------------|
| FWD 2800/FWD 3300 models <ul style="list-style-type: none"> • 6.5J x 16-inch steel wheels • 215/65 R 16 tyres • Full-size spare wheel • Wheel centre covers | | ● | | | | |
| FWD 3500/3900 models <ul style="list-style-type: none"> • 6.5J x 16-inch steel wheels • 225/65 R 16 tyres • Full-size spare wheel – Excludes Minibus models. • Wheel centre covers | | ● | ● | ● | | |
| RWD 3500 models <ul style="list-style-type: none"> • 7J x 16-inch steel wheels • 235/65 R 16 tyres • Full-size spare wheel • Wheel centre covers | | ● | | | | |
| RWD HD 3500/RWD HD 4500 models <ul style="list-style-type: none"> • 5.5J x 16-inch steel wheels • 195/75 R 16 tyres • Twin rear wheels • Full-size spare wheel | | ● | | | | |

● = Standard equipment.

NEW MOVANO WHEELS AND TYRES

| | Option code | Movano | Minibus | Trabus | Price (£) exc. VAT | Price (£) inc. VAT |
|---|-------------|--------|---------|--------|--------------------|--------------------|
| All-season tyres – Continental Vanco Four Season 2 FWD models: 225/65 R 16 – Not available on FWD 2800 models. RWD models: 235/65 R 16 RWD HD models: 195/75 R 16 – Not available on RWD 4500 models. | NRK | ○ | ○ | ○ | 360.00 | 432.00 |
| Full-diameter wheel covers – Not available on RWD HD models. | QP9 | ○ | ○ | ○ | 60.00 | 72.00 |
| Tyre inflation kit in lieu of spare wheel – Not available on RWD/RWD HD models. | WTC | N/C | ● | N/C | No-cost option | |

Tyre Rating

| Tyre size | Fuel efficiency group | Wet grip performance | External noise | |
|-------------|-----------------------|----------------------|----------------|---|
| | | | Measured (dB) | Group |
| 195/75 R 16 | B | B | 72 |  |
| 215/65 R 16 | B | B | 71 |  |
| 225/65 R 16 | B-E | B-C | 70 |  |
| 235/65 R 16 | C-E | B | 70 |  |

Tyre rating according to EU Regulation 1222/2009

● = Standard equipment. ○ = Optional at extra cost. N/C = No-cost option.

NEW MOVANO DIESEL ENGINES

| Engine (Front-wheel drive models) | 2.3 (135PS) Turbo D BlueInjection | 2.3 (150PS) Turbo D BlueInjection with S/S | 2.3 (180PS) Turbo D BlueInjection with S/S |
|--|--|--|--|
| Capacity | 2298cc | 2298cc | 2298cc |
| Maximum power | 135PS (99kW) @ 3500rpm | 150PS (110kW) @ 3500rpm | 180PS (132kW) @ 3500rpm |
| Maximum torque | 360Nm (266 lb.ft.) @ 1600rpm | 385Nm (284 lb.ft.) @ 1750rpm | 400Nm (295 lb.ft.) @ 1500-2750rpm |
| Configuration | 4 cylinders, 4 valves per cylinder, double overhead camshafts | 4 cylinders, 4 valves per cylinder, double overhead camshafts | 4 cylinders, 4 valves per cylinder, double overhead camshafts |
| Fuel/induction system | Twin variable geometry turbochargers with intercoolers. Common rail fuel injection | Twin variable geometry turbochargers with intercoolers. Common rail fuel injection | Twin variable geometry turbochargers with intercoolers. Common rail fuel injection |
| Emission compliance | Euro 6D TEMP | Euro 6D TEMP | Euro 6D TEMP |
| WLTP fuel economy range – mpg (l/100km) | 26.9 (10.5) – 31.4 (9.0) | 27.4 (10.3) – 32.2 (8.8) | 26.9 (10.5) – 31.4 (9.0) |
| WLTP CO ₂ emission range – g/km | 276 – 236 | 270 – 230 | 277 – 235 |
| Service interval | 25,000 miles or two years (whichever occurs sooner) | 25,000 miles or two years (whichever occurs sooner) | 25,000 miles or two years (whichever occurs sooner) |

| Engine (Rear-wheel drive models*) | 2.3CDTi (130PS) Turbo D BlueInjection | 2.3 (145PS) Turbo D BlueInjection with S/S | 2.3 (165PS) Turbo D BlueInjection with S/S |
|-----------------------------------|--|--|--|
| Capacity | 2298cc | 2298cc | 2298cc |
| Maximum power | 130PS (96kW) @ 3500rpm | 145PS (107kW) @ 3500rpm | 165PS (120kW) @ 3500rpm |
| Maximum torque | 330Nm (243 lb.ft.) @ 1500rpm | 360Nm (266 lb.ft.) @ 1500rpm | 360Nm (266 lb.ft.) @ 2000rpm |
| Configuration | 4 cylinders, 4 valves per cylinder, double overhead camshafts | 4 cylinders, 4 valves per cylinder, double overhead camshafts | 4 cylinders, 4 valves per cylinder, double overhead camshafts |
| Fuel/induction system | Twin variable geometry turbochargers with intercoolers. Common rail fuel injection | Twin variable geometry turbochargers with intercoolers. Common rail fuel injection | Twin variable geometry turbochargers with intercoolers. Common rail fuel injection |
| Emission compliance | EuroVIId | EuroVIId | EuroVIId |
| Service interval | 25,000 miles or two years (whichever occurs sooner) | 25,000 miles or two years (whichever occurs sooner) | 25,000 miles or two years (whichever occurs sooner) |

S/S = Start/Stop. *RWD heavy-duty engines have no requirement to comply with WLTP legislation.

Vehicles with BlueInjection technology will need regular AdBlue® top-ups also between servicing requirements. An indicator integrated into the on-board computer will warn you when you need to top up. More information under www.vauxhall.co.uk/adblue. In accordance with regulations R (EC) No. 715/2007 and R (EC) No. 692/2008 (in the versions respectively applicable).

NEW MOVANO FWD PANEL VAN SPECIFICATIONS

| Loadspace Dimensions | L1 | L2 | L3 |
|----------------------------|--------------|--------------|--------------|
| Maximum length | 2583 (101.7) | 3083 (121.4) | 3733 (147.0) |
| Maximum width | 1765 (69.5) | 1765 (69.5) | 1765 (69.5) |
| Width between wheel arches | 1380 (54.3) | 1380 (54.3) | 1380 (54.3) |
| Maximum height – H1 | 1700 (66.9) | – | – |
| Maximum height – H2 | 1894 (74.6) | 1894 (74.6) | 1894 (74.6) |
| Maximum height – H3 | – | 2144 (84.4) | 2144 (84.4) |

| Loadspace Access | L1 | L2 | L3 |
|-----------------------------------|-------------|-------------|-------------|
| Side door aperture height – H1 | 1581 (62.2) | – | – |
| Side door aperture height – H2/H3 | 1780 (70.1) | 1780 (70.1) | 1780 (70.1) |
| Side door aperture width | 1050 (41.3) | 1270 (50.0) | 1270 (50.0) |
| Rear door aperture height – H1 | 1627 (64.0) | – | – |
| Rear door aperture height – H2/H3 | 1820 (71.7) | 1820 (71.7) | 1820 (71.7) |
| Rear door aperture width | 1577 (62.1) | 1577 (62.1) | 1577 (62.1) |
| Loading height (unladen) | 563 (22.2) | 562 (22.1) | 557 (21.9) |

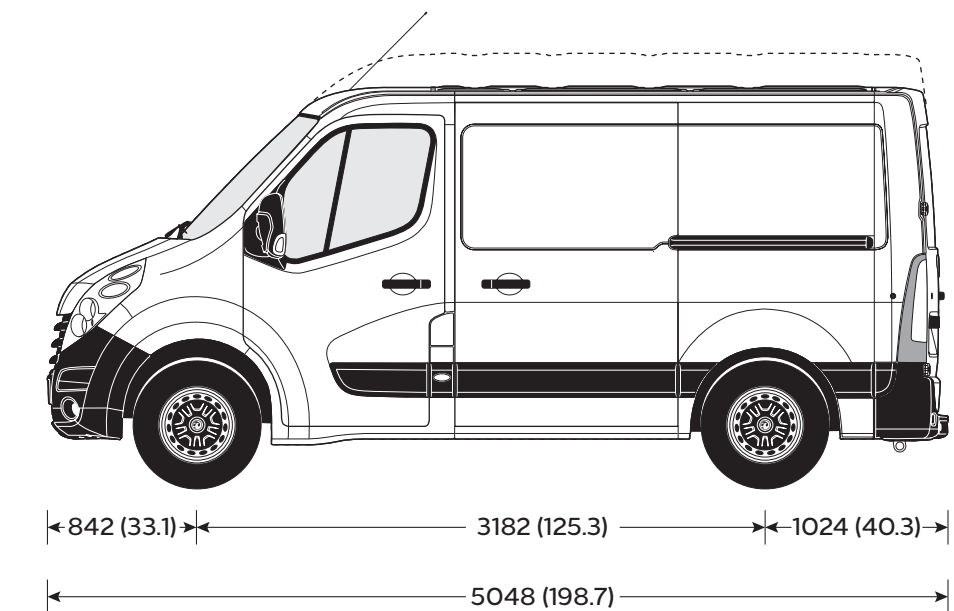
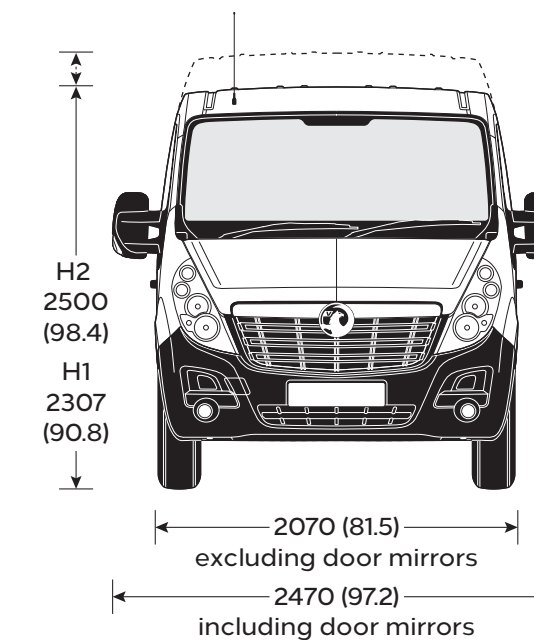
| | L1 H1 | L1 H2 | L2 H2 | L2 H3 | L3 H2 | L3 H3 |
|--|-----------|-----------|------------|------------|------------|------------|
| Loadspace Volumes cu.m (cu.ft.) | | | | | | |
| Panel Van – Maximum | 7.8 (275) | 8.6 (304) | 10.8 (381) | 12.3 (434) | 13.0 (459) | 14.8 (523) |
| Panel Van – VDA | 7.0 (247) | – | 9.4 (322) | – | 11.3 (399) | – |

Plated Weights and Towing Data kg

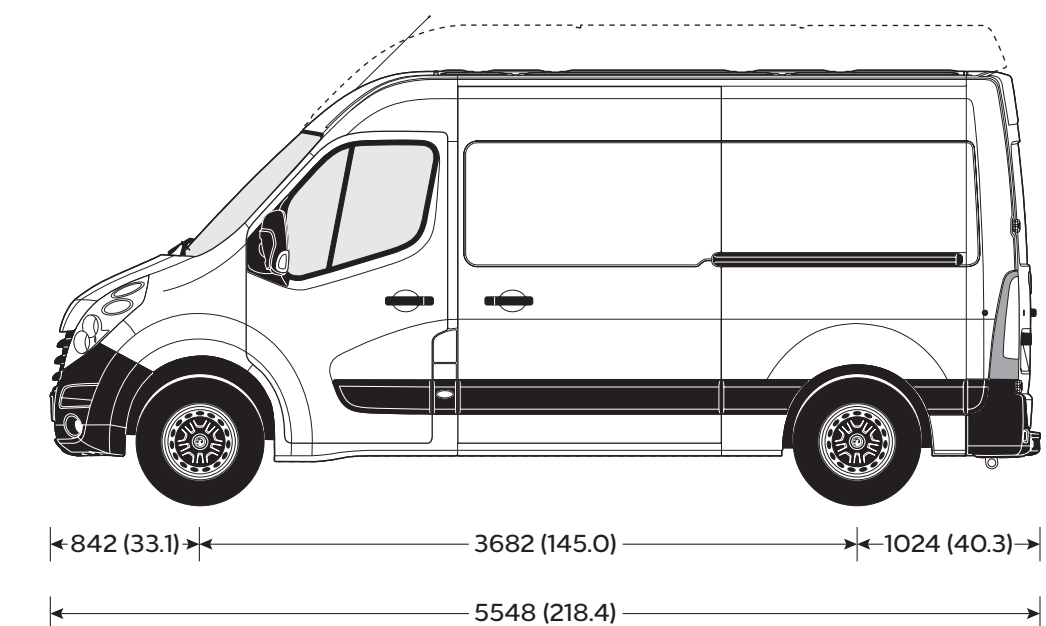
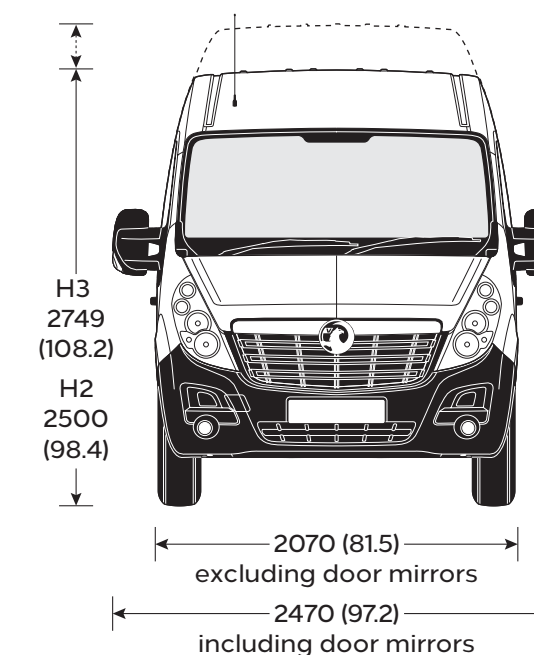
| Model | | Gross Vehicle Weights (GVW) | Plated weights | | Towing weights | | Plated Gross Combination Weights (GCW) |
|--------------------|-------|-----------------------------|----------------|-----------|----------------|-----------|--|
| | | | Front axle | Rear axle | Braked | Un-braked | |
| L1 H1/H2 Panel Van | F2800 | 2800 | 1550 | 1650 | 2500 | 750 | 5300 |
| | F3300 | 3300 | 1650 | 1900 | 2500 | 750 | 5800 |
| | F3500 | 3500 | 1850 | 2100 | 2500 | 750 | 6000 |
| L2 H2/H3 Panel Van | F3300 | 3300 | 1700 | 1900 | 2500 | 750 | 5800 |
| | F3500 | 3500 | 1850 | 2100 | 2500 | 750 | 6000 |
| L3 H2/H3 Panel Van | F3500 | 3500 | 1850 | 2100 | 2500 | 750 | 6000 |

Gross plated weights (including axle weights) quoted on the vehicle plate are to UK plated weight specification and must never be exceeded. For further information please see Glossary of Terms.

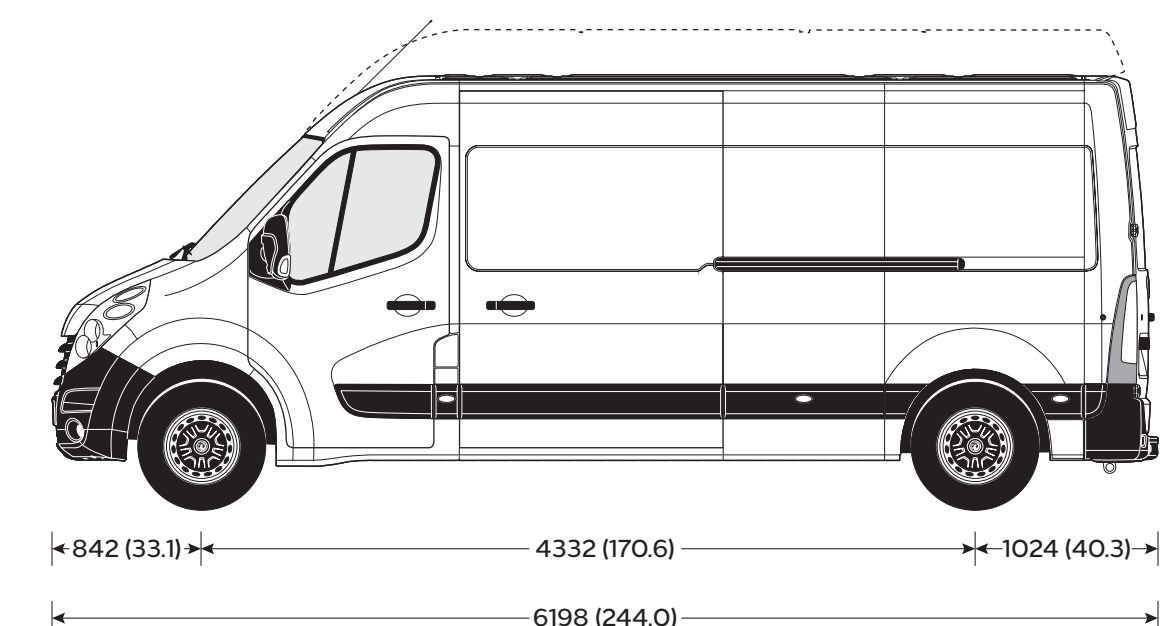
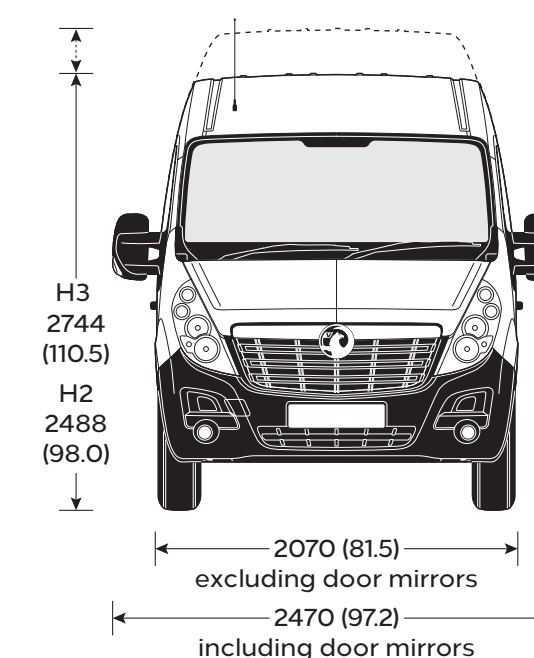
All measurements are in mm (inches) unless stated otherwise. Heights shown unladen.



L1 H1/H2



L2 H2/H3

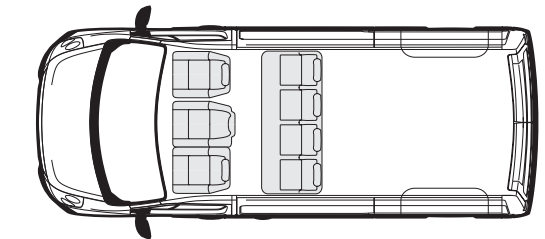
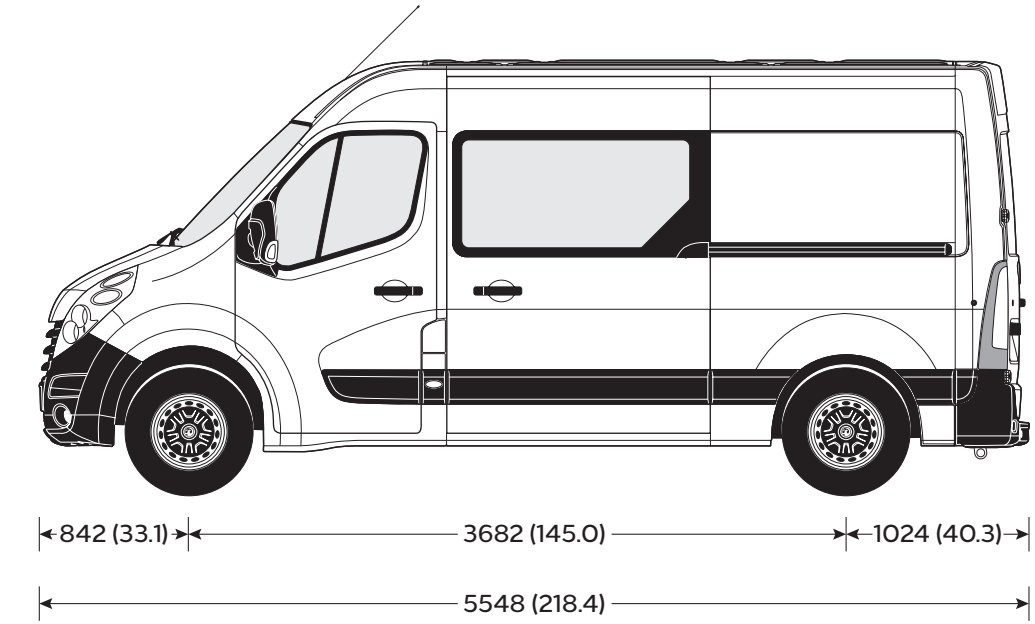
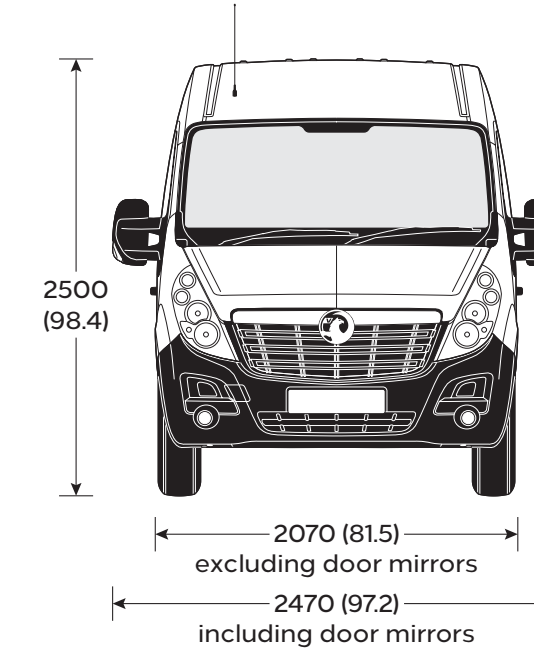


L3 H2/H3

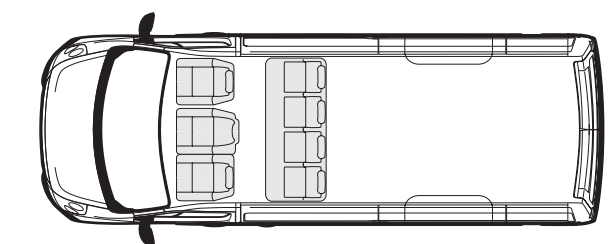
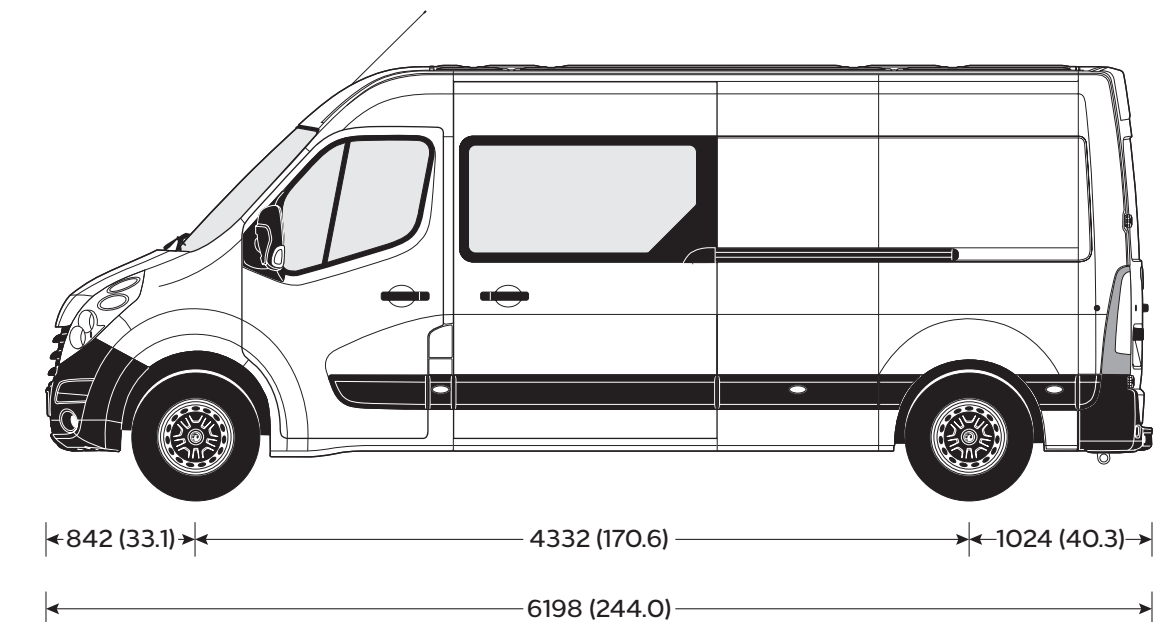
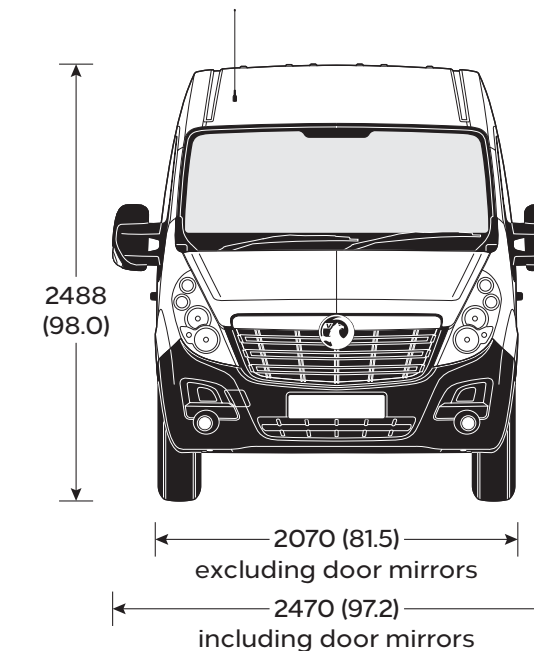
NEW MOVANO FWD DOUBLECAB SPECIFICATIONS

| Loadspace Dimensions | L2 | L3 |
|--|-------------|--------------|
| Maximum length at load floor | 2175 (85.6) | 2825 (111.2) |
| Maximum length behind rear seats | 1990 (78.3) | 2640 (103.9) |
| Maximum width | 1765 (69.5) | 1765 (69.5) |
| Width between wheel arches | 1380 (54.3) | 1380 (54.3) |
| Maximum height | 1894 (74.6) | 1894 (74.6) |
| Loadspace Access | | |
| Side door aperture height | 1780 (70.1) | 1780 (70.1) |
| Side door aperture width | 1270 (50.0) | 1270 (50.0) |
| Rear door aperture height | 1820 (71.7) | 1820 (71.7) |
| Rear door aperture width | 1577 (62.1) | 1577 (62.1) |
| Loading height (unladen) | 562 (22.1) | 557 (21.9) |
| Loadspace Volumes cu.m (cu.ft.) | | |
| Doublecab | 6.9 (244) | 9.0 (318) |

| Plated Weights and Towing Data kg | | | | | | | |
|--|------------------------------------|-----------------------|------------------|-----------------------|------------------|---|------|
| Model | Gross Vehicle Weights (GVW) | Plated weights | | Towing weights | | Plated Gross Combination Weights (GCW) | |
| | | Front axle | Rear axle | Braked | Un-braked | | |
| L2 H2/L3 H2 Doublecab | F3500 | 3500 | 1850 | 2100 | 2500 | 750 | 6000 |



L2 H2



L3 H2

Gross plated weights (including axle weights) quoted on the vehicle plate are to UK plated weight specification and must never be exceeded. For further information please see Glossary of Terms.

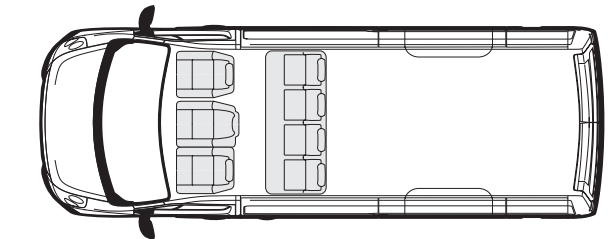
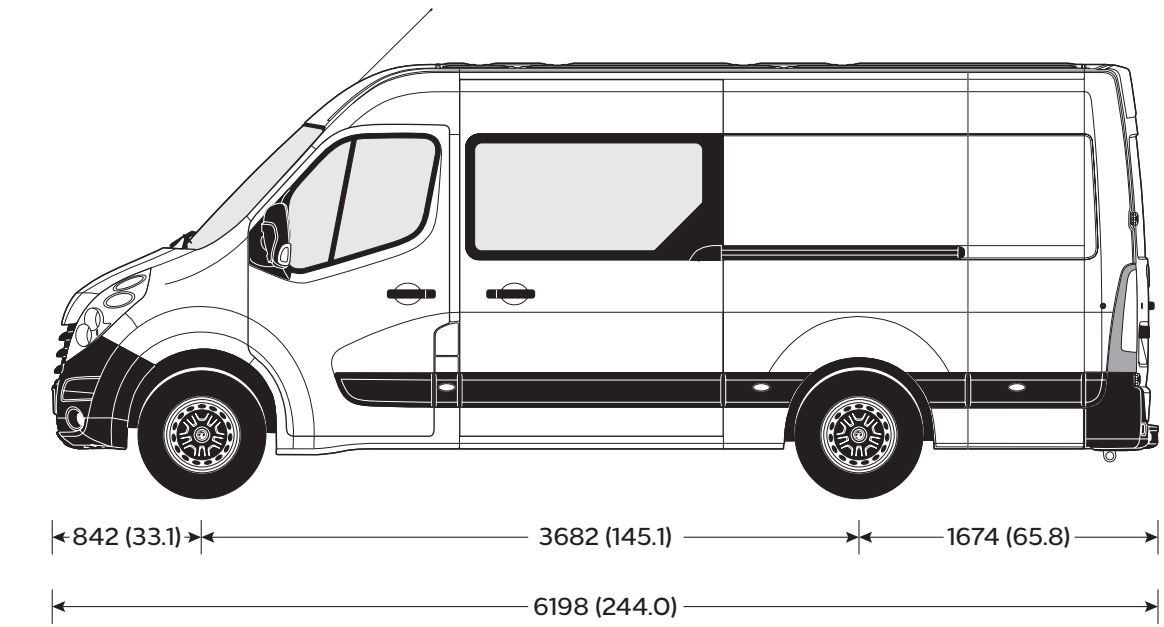
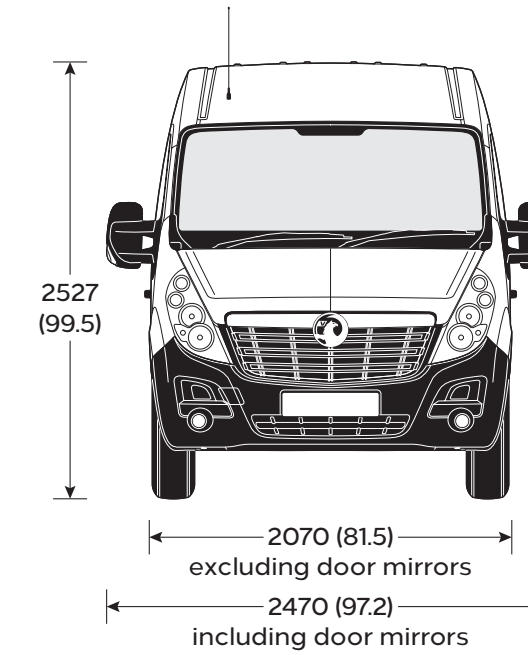
All measurements are in mm (inches) unless stated otherwise. Heights shown unladen.

NEW MOVANO RWD DOUBLECAB SPECIFICATIONS

| Loadspace Dimensions | L3 |
|--|-------------------------|
| Maximum length at load floor | 2825 (111.2) |
| Maximum length behind rear seats | 2640 (103.9) |
| Maximum width | 1765 (69.5) |
| Width between wheel arches | 1380 (54.3) |
| Maximum height | 1798 (70.8) |
| Loadspace Access | |
| Side door aperture height | 1684 (66.3) |
| Side door aperture width | 1270 (50.0) |
| Rear door aperture height | 1724 (67.9) |
| Rear door aperture width | 1577 (62.1) |
| Loading heights (unladen) | 674 (26.5) – 696 (27.4) |
| Loadspace Volumes cu.m (cu.ft.) | |
| Doublecab | 8.4 (297) |

Plated Weights and Towing Data kg

| Model | | Gross Vehicle Weights (GVW) | Plated weights | | Towing weights | | Plated Gross Combination Weights (GCW) |
|------------------------|-------|------------------------------------|-----------------------|------------------|-----------------------|------------------|---|
| | | | Front axle | Rear axle | Braked | Un-braked | |
| L3 H2 Doublecab | R3500 | 3500 | 1850 | 2300 | 2500 | 750 | 6000 |



L3 H2

Gross plated weights (including axle weights) quoted on the vehicle plate are to UK plated weight specification and must never be exceeded. For further information please see Glossary of Terms.

All measurements are in mm (inches) unless stated otherwise. Heights shown unladen.

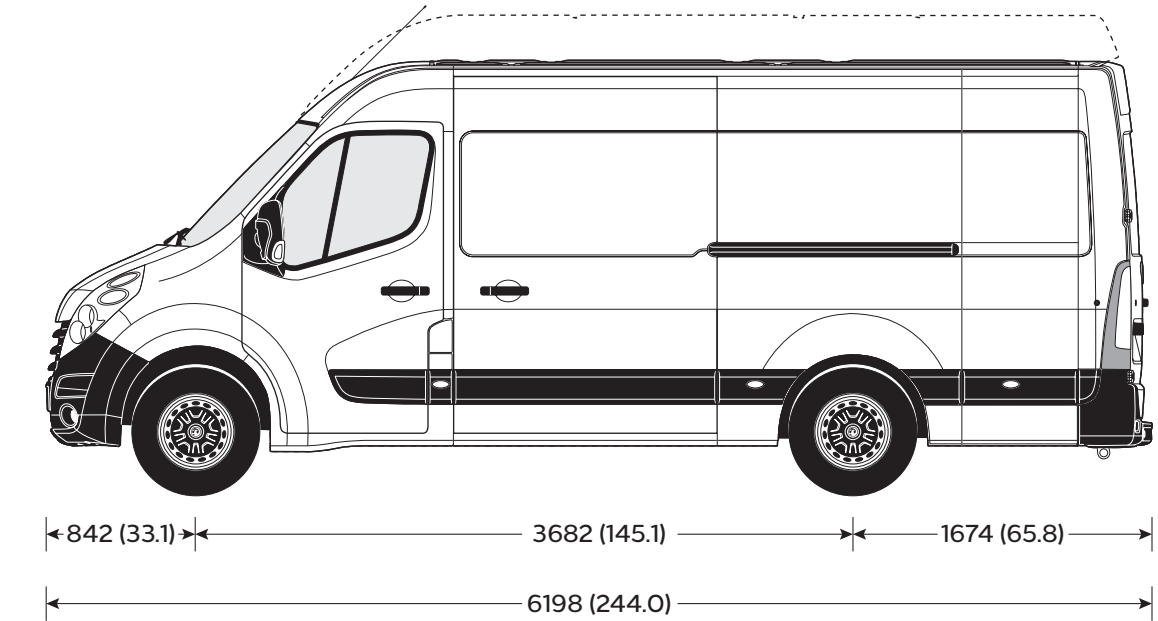
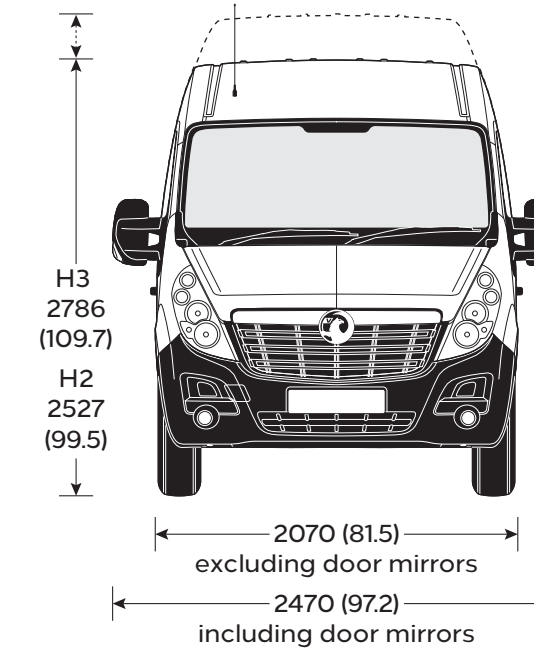
NEW MOVANO RWD PANEL VAN SPECIFICATIONS

| Loadspace Dimensions | L3 | L4 |
|----------------------------|--------------|--------------|
| Maximum length | 3733 (147.0) | 4383 (172.6) |
| Maximum width | 1765 (69.5) | 1765 (69.5) |
| Width between wheel arches | 1380 (54.3) | 1380 (54.3) |
| Maximum height – H2 | 1798 (70.8) | 1798 (70.8) |
| Maximum height – H3 | 2048 (80.6) | 2048 (80.6) |

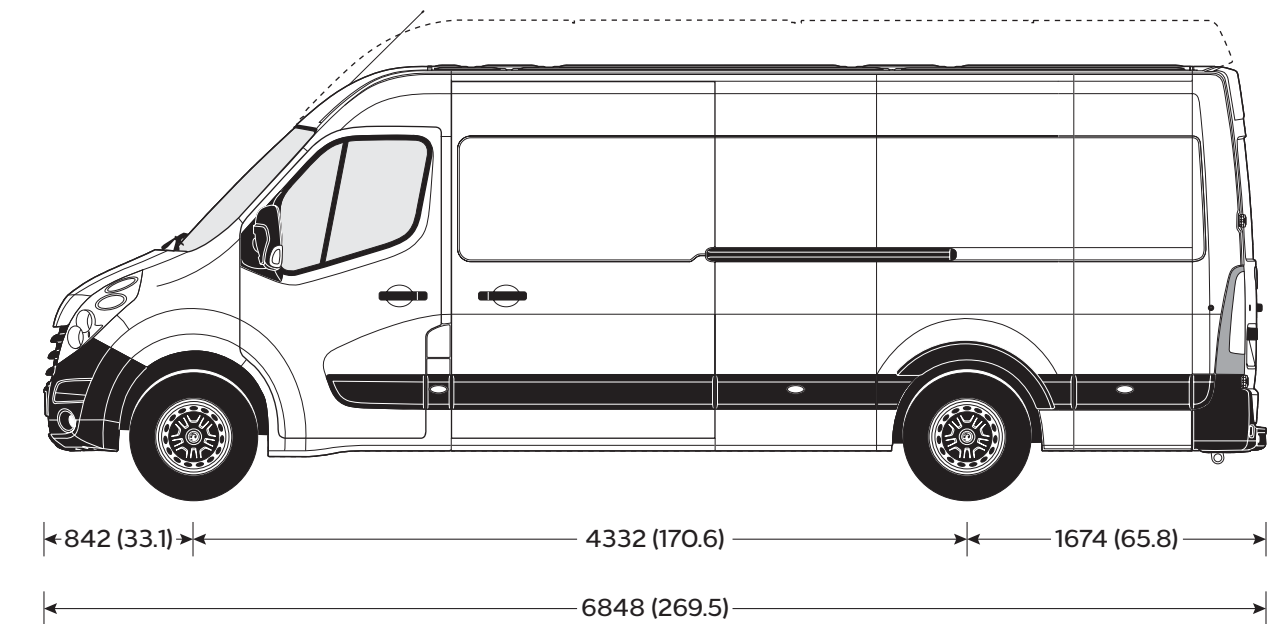
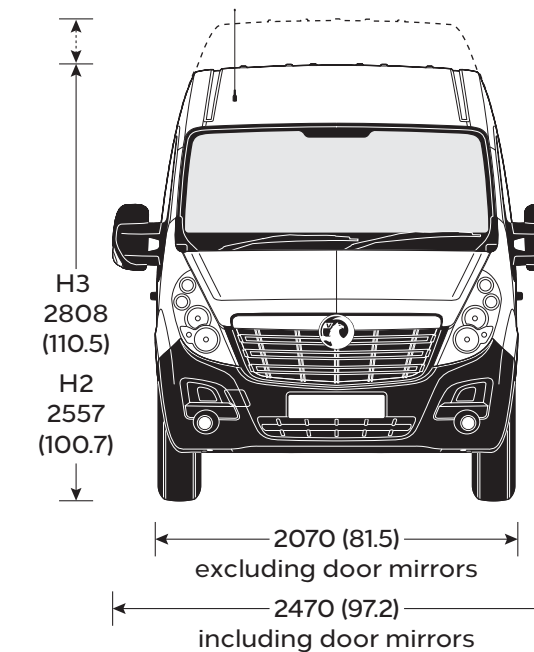
| Loadspace Access | L3 | L4 |
|---------------------------|-------------------------|-------------|
| Side door aperture height | 1684 (66.3) | 1684 (66.3) |
| Side door aperture width | 1270 (50.0) | 1270 (50.0) |
| Rear door aperture height | 1724 (67.9) | 1724 (67.9) |
| Rear door aperture width | 1577 (62.1) | 1577 (62.1) |
| Loading heights (unladen) | 696 (27.4) – 724 (28.5) | 717 (28.2) |

| Loadspace Volumes cu.m (cu.ft.) | L3 H2 | L3 H3 | L4 H2 | L4 H3 |
|---------------------------------|------------|------------|------------|------------|
| Panel Van – Maximum | 12.4 (438) | 14.2 (501) | 14.9 (526) | 17.0 (600) |
| Panel Van – VDA | 10.9 (385) | 12.2 (431) | 12.9 (456) | 14.1 (498) |

| Plated Weights and Towing Data kg | | | | | | | |
|-----------------------------------|-------|-----------------------------|----------------|-----------|----------------|-----------|--|
| Model | | Gross Vehicle Weights (GVW) | Plated weights | | Towing weights | | Plated Gross Combination Weights (GCW) |
| | | | Front axle | Rear axle | Braked | Un-braked | |
| L3 H2/H3 Panel Van | R3500 | 3500 | 1850 | 2300 | 2500 | 750 | 6000 |
| L4 H2/H3 Panel Van | R3500 | 3500 | 1850 | 2300 | 2500 | 750 | 6000 |



L3 H2/H3



L4 H2/H3

Gross plated weights (including axle weights) quoted on the vehicle plate are to UK plated weight specification and must never be exceeded. For further information please see Glossary of Terms.

All measurements are in mm (inches) unless stated otherwise. Heights shown unladen.

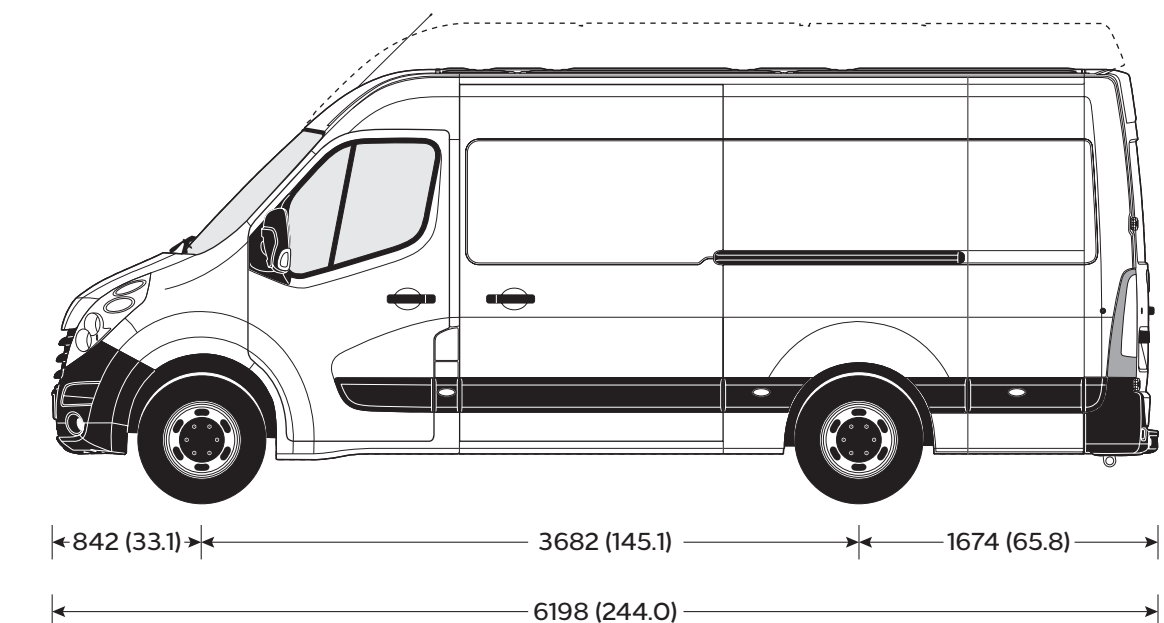
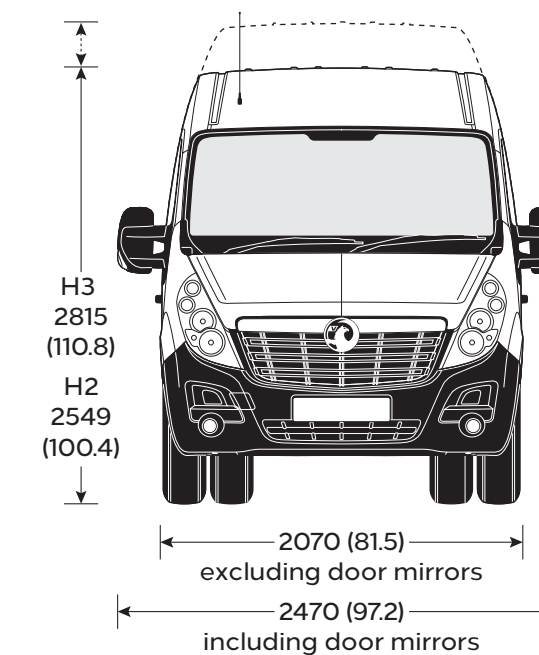
NEW MOVANO RWD HD PANEL VAN SPECIFICATIONS

| Loadspace Dimensions | L3 | L4 |
|----------------------------|--------------|--------------|
| Maximum length | 3733 (147.0) | 4383 (172.6) |
| Maximum width | 1765 (69.5) | 1765 (69.5) |
| Width between wheel arches | 1080 (42.5) | 1080 (42.5) |
| Maximum height – H2 | 1798 (70.8) | 1798 (70.8) |
| Maximum height – H3 | 2048 (80.6) | 2048 (80.6) |

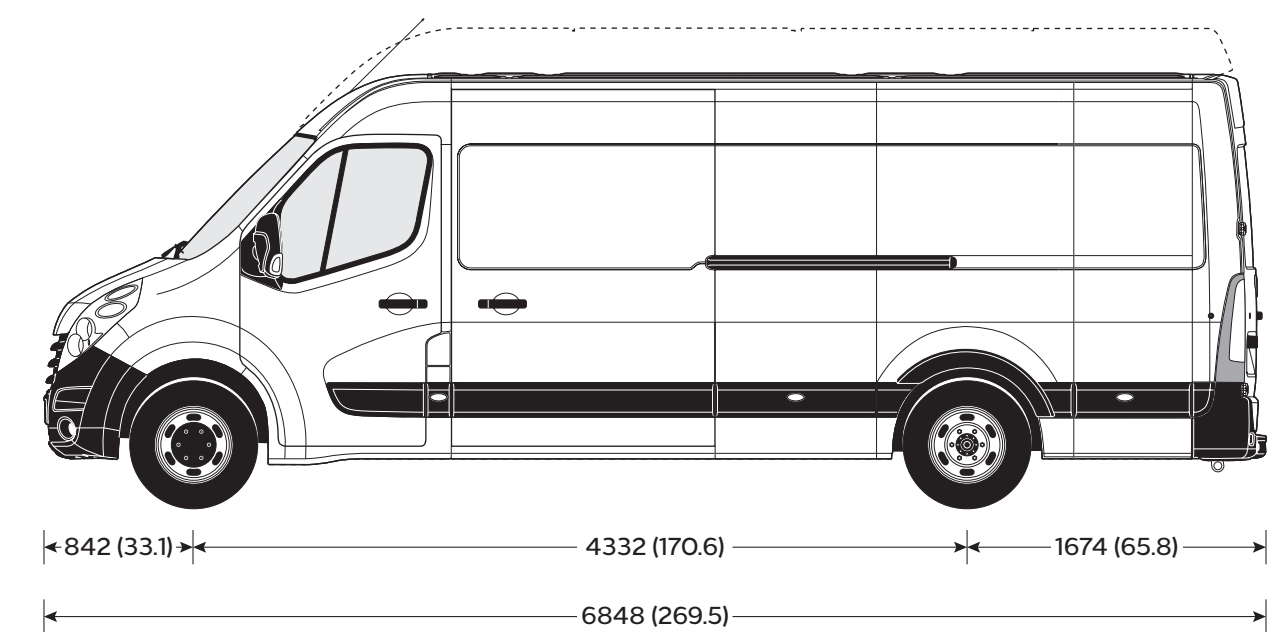
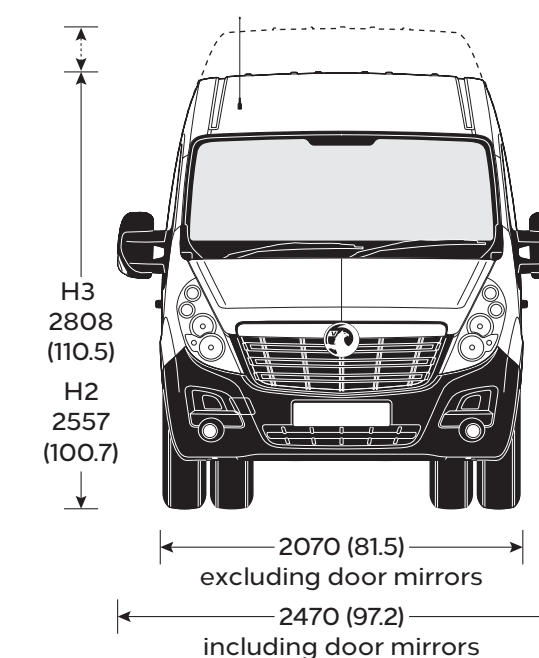
| Loadspace Access | L3 | L4 |
|---------------------------|-------------------------|-------------|
| Side door aperture height | 1684 (66.3) | 1684 (66.3) |
| Side door aperture width | 1270 (50.0) | 1270 (50.0) |
| Rear door aperture height | 1724 (67.9) | 1724 (67.9) |
| Rear door aperture width | 1577 (62.1) | 1577 (62.1) |
| Loading heights | 723 (28.4) – 724 (28.5) | 717 (28.2) |

| Loadspace Volumes cu.m (cu.ft.) | L3 H2 | L3 H3 | L4 H2 | L4 H3 |
|---------------------------------|------------|------------|------------|------------|
| Panel Van – Maximum | 12.4 (438) | 14.2 (501) | 14.9 (526) | 17.0 (600) |
| Panel Van – VDA | 10.7 (378) | 12.0 (424) | 12.7 (448) | 13.9 (491) |

| Plated Weights and Towing Data kg | | | | | | | |
|-----------------------------------|---------|-----------------------------|----------------|-----------|----------------|-----------|--|
| Model | | Gross Vehicle Weights (GVW) | Plated weights | | Towing weights | | Plated Gross Combination Weights (GCW) |
| | | | Front axle | Rear axle | Braked | Un-braked | |
| L3 H2/H3 Panel Van | R3500HD | 3500 | 1850 | 2800 | 3000 | 750 | 6500 |
| L3 H2/H3 Panel Van | R4500HD | 4500 | 1850 | 3200 | 3000 | 750 | 7500 |
| L4 H2/H3 Panel Van | R3500HD | 3500 | 1850 | 2800 | 3000 | 750 | 6500 |
| L4 H2/H3 Panel Van | R4500HD | 4500 | 1850 | 3200 | 3000 | 750 | 7500 |



L3 H2/H3



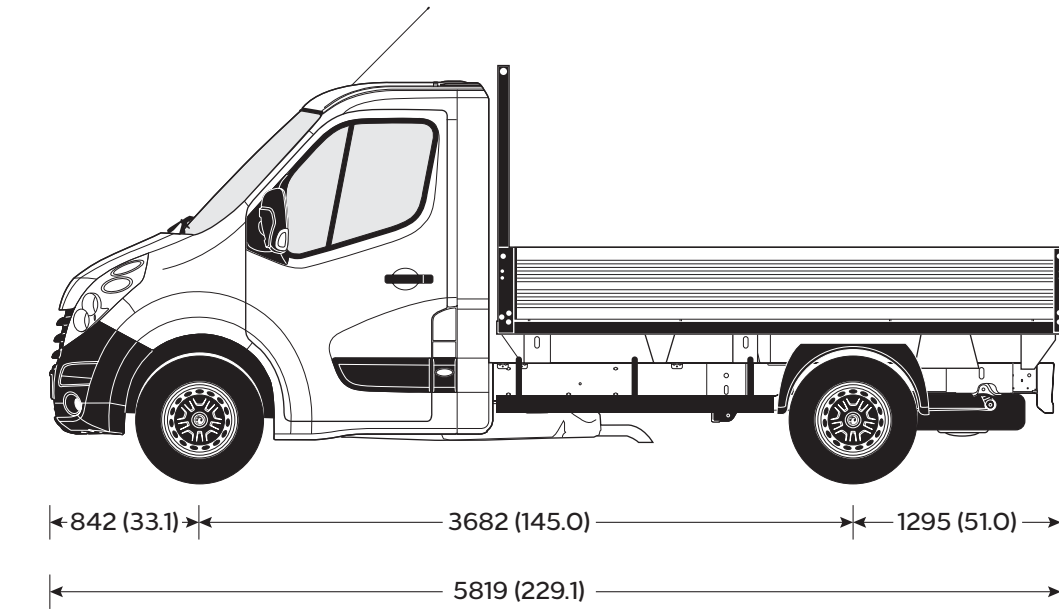
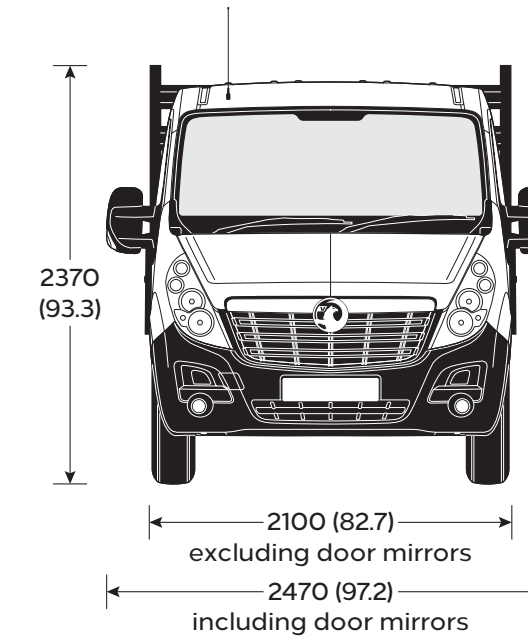
L4 H2/H3

Gross plated weights (including axle weights) quoted on the vehicle plate are to UK plated weight specification and must never be exceeded. For further information please see Glossary of Terms.

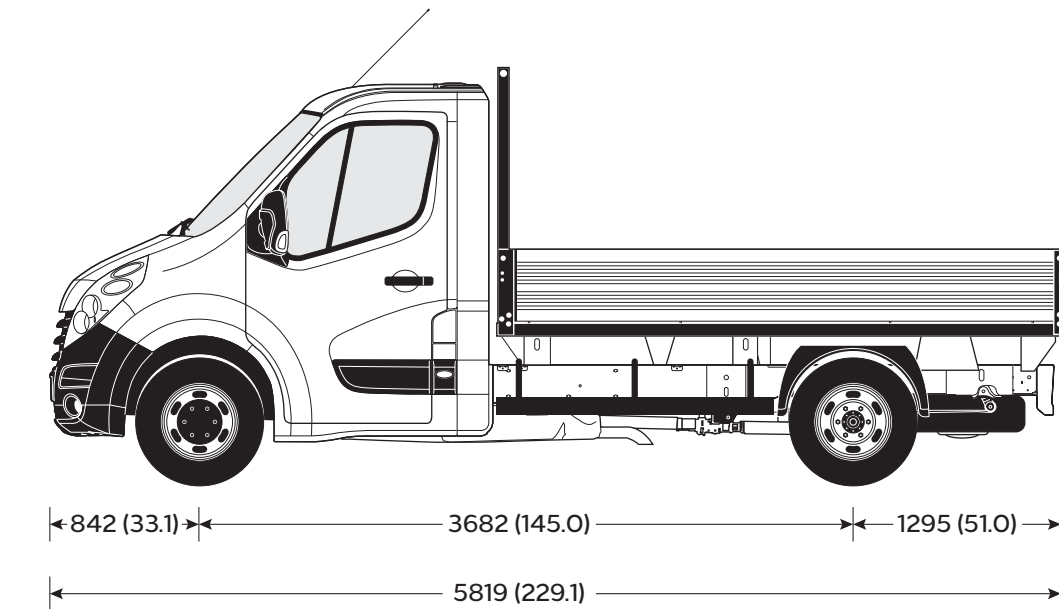
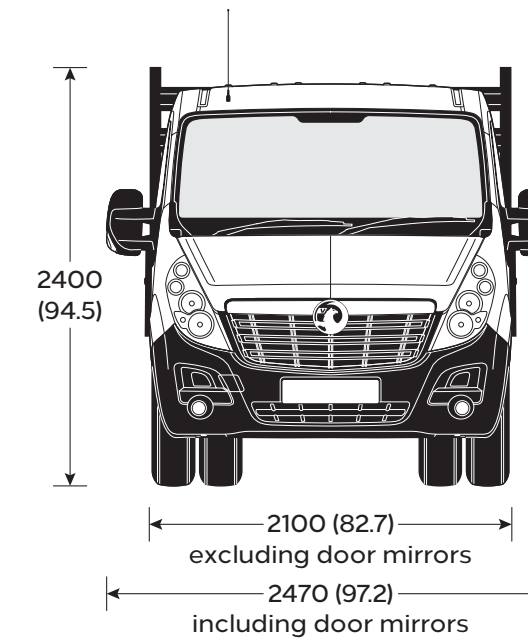
All measurements are in mm (inches) unless stated otherwise. Heights shown unladen.

NEW MOVANO TIPPER SPECIFICATIONS

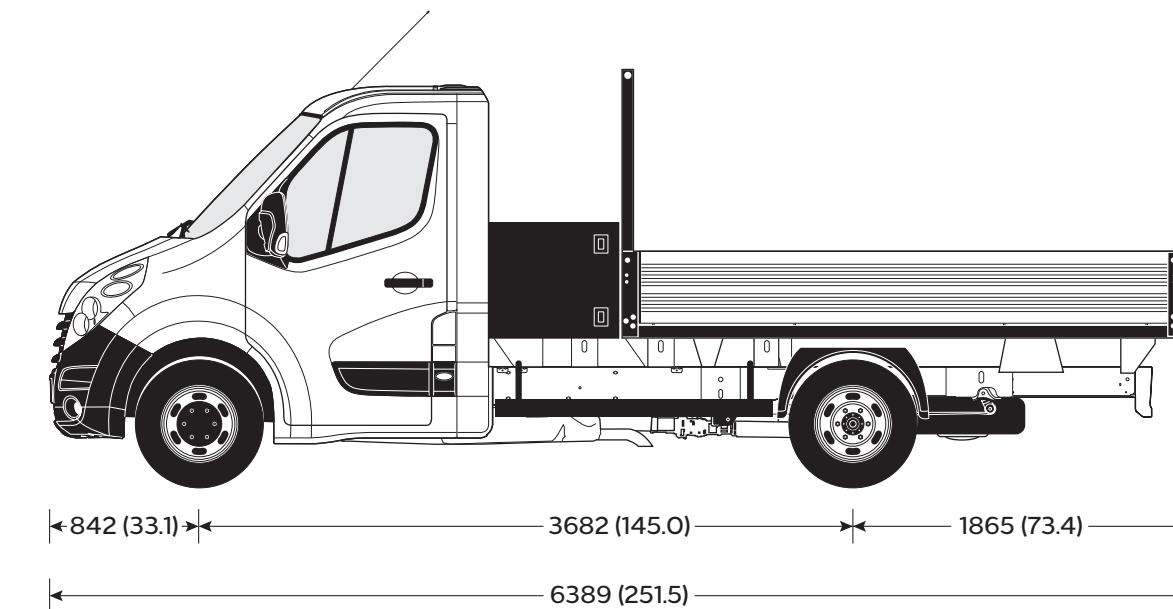
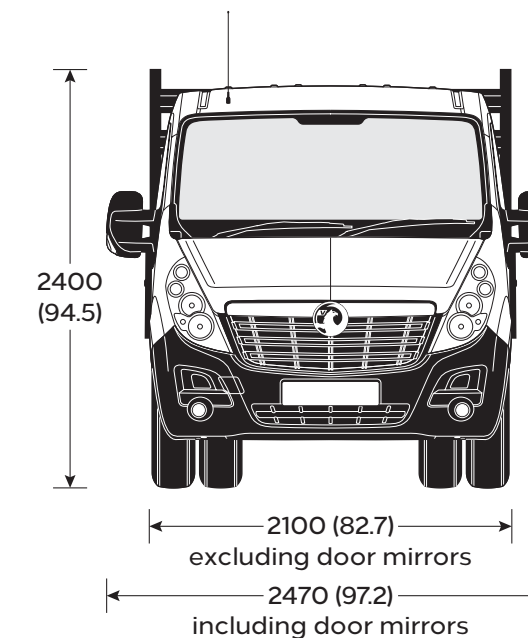
| Loadspace Dimensions | L2 FWD | L2 RWD HD | L3 RWD HD |
|--------------------------|--------------|--------------|--------------|
| Maximum length | 3205 (126.2) | 3205 (126.2) | 3105 (122.2) |
| Maximum width | 2040 (80.3) | 2040 (80.3) | 2040 (80.3) |
| Body side height | 400 (15.7) | 400 (15.7) | 400 (15.7) |
| Loading height (unladen) | 1090 (42.9) | 1090 (42.9) | 1090 (42.9) |
| Load area sq.m (sq.ft.) | 6.5 (69.4) | 6.5 (69.4) | 6.3 (68.2) |



L2 FWD



L2 RWD HD

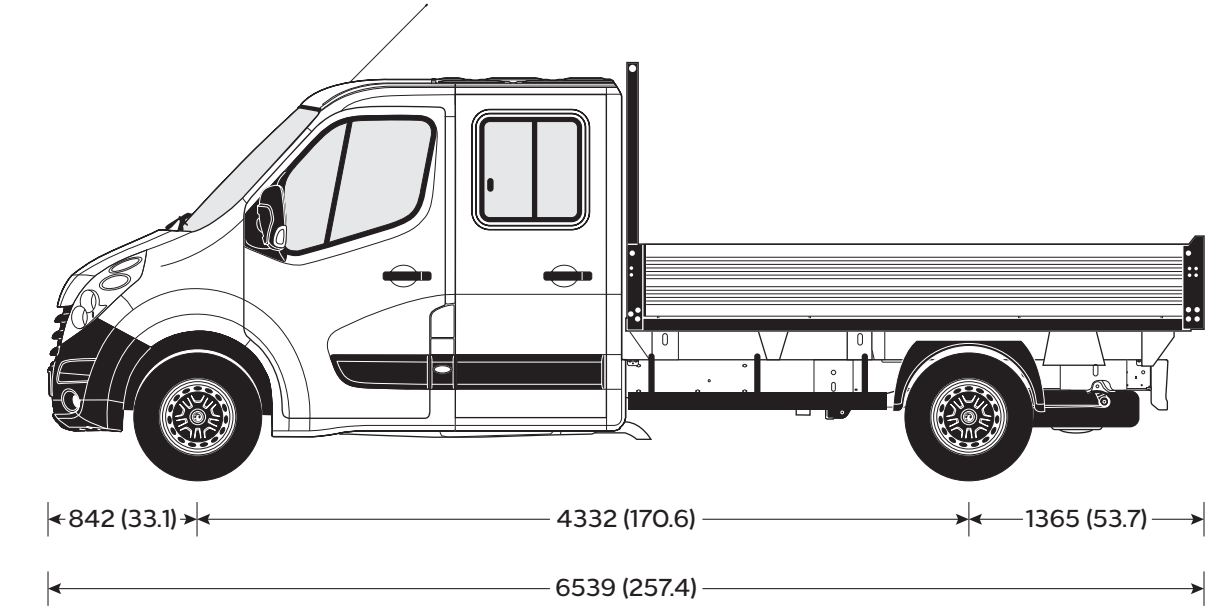
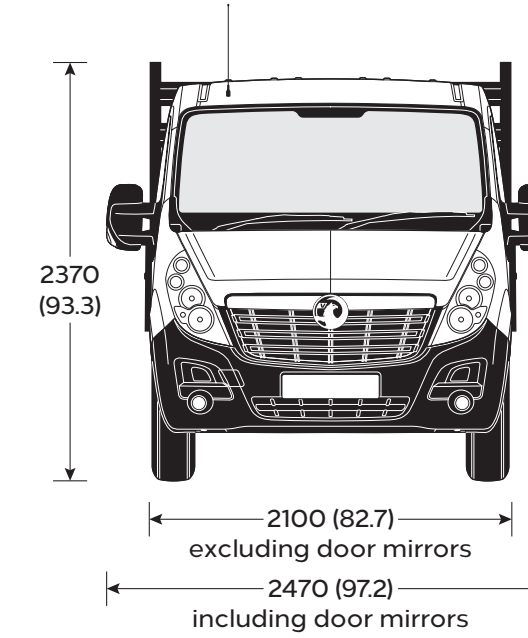


L3 RWD HD

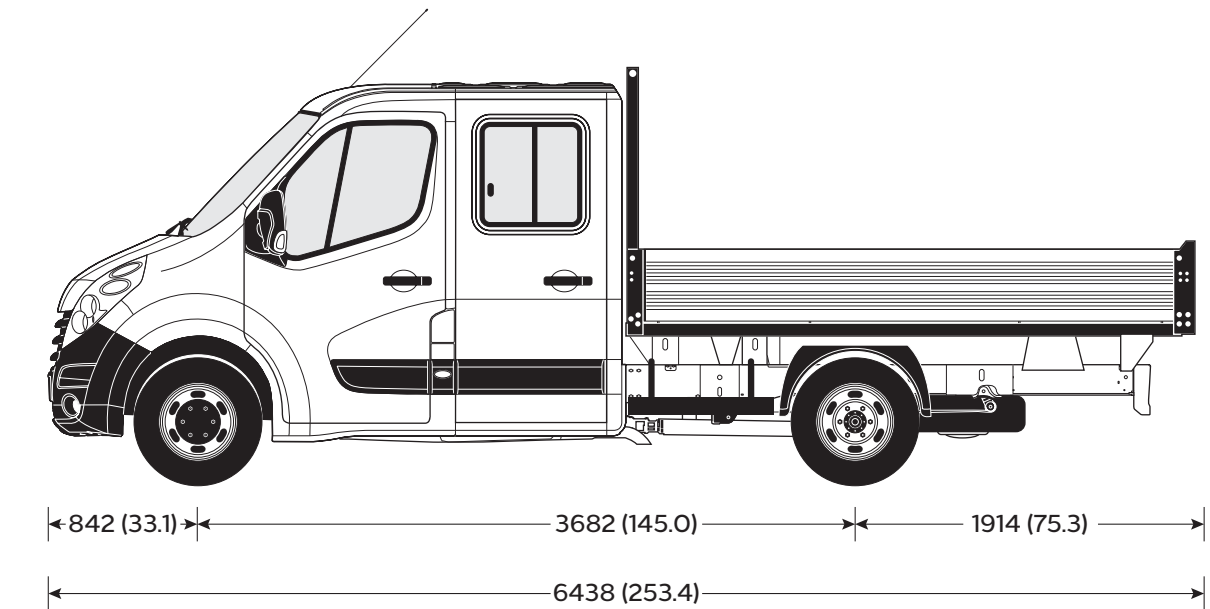
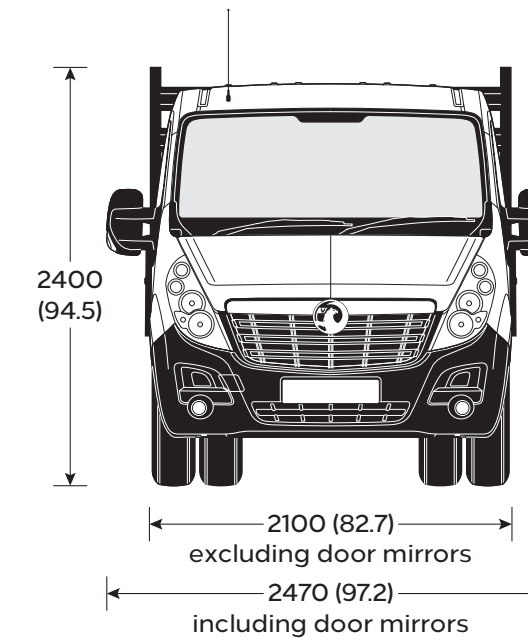
All measurements are in mm (inches) unless stated otherwise. Heights shown unladen.

NEW MOVANO CREW CAB TIPPER SPECIFICATIONS

| Loadspace Dimensions | L3 FWD | L3 RWD HD |
|--------------------------|--------------|--------------|
| Maximum length | 3205 (126.2) | 3105 (122.2) |
| Maximum width | 2040 (80.3) | 2040 (80.3) |
| Body side height | 400 (15.7) | 400 (15.7) |
| Loading height (unladen) | 1090 (42.9) | 1090 (42.9) |
| Load area sq.m (sq.ft.) | 6.5 (69.4) | 6.3 (68.2) |



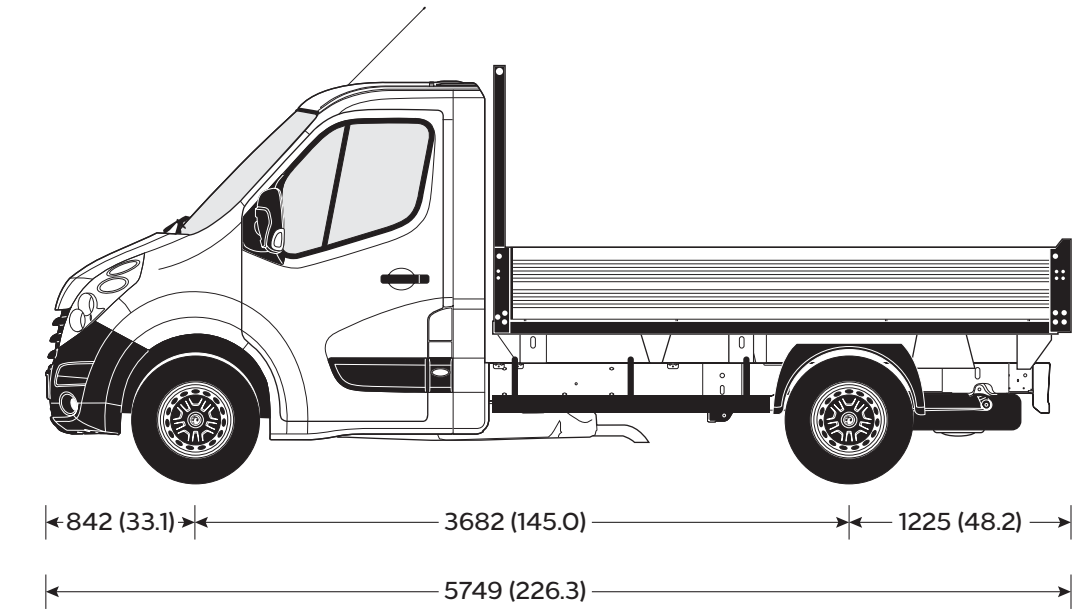
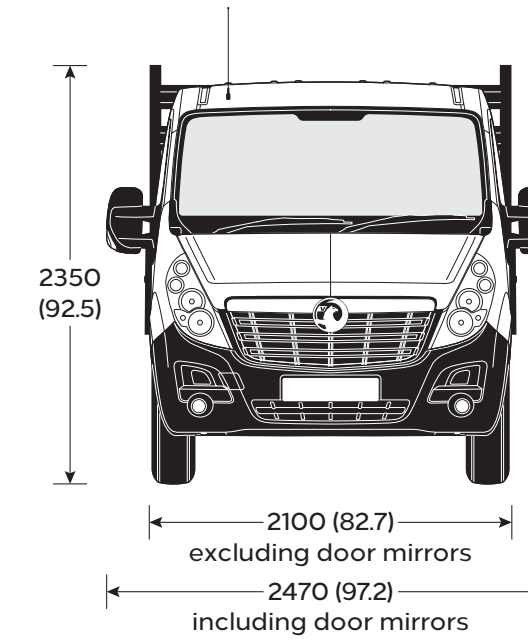
L3 FWD



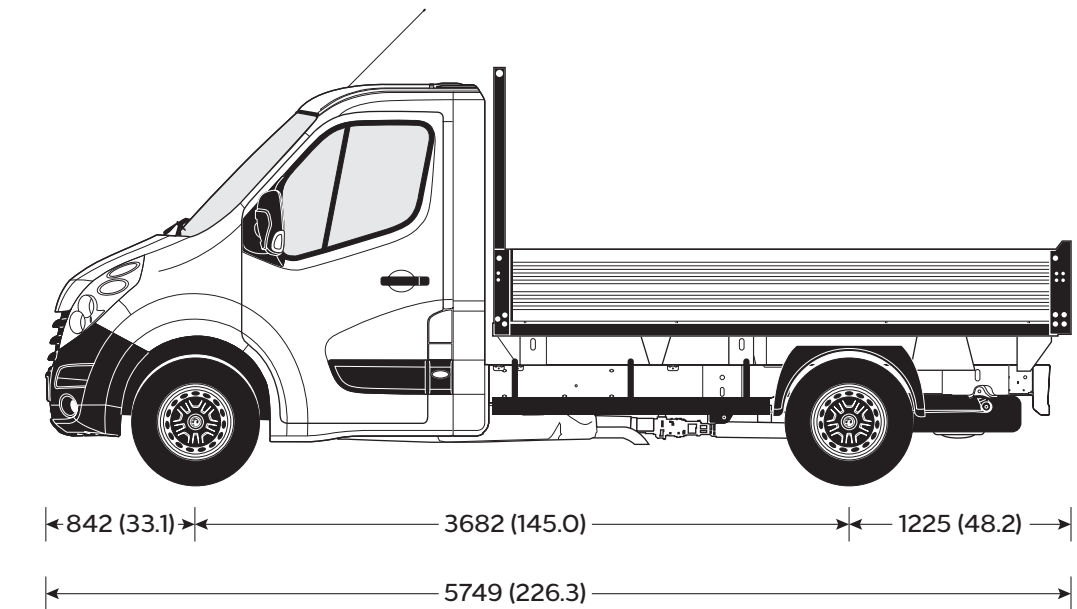
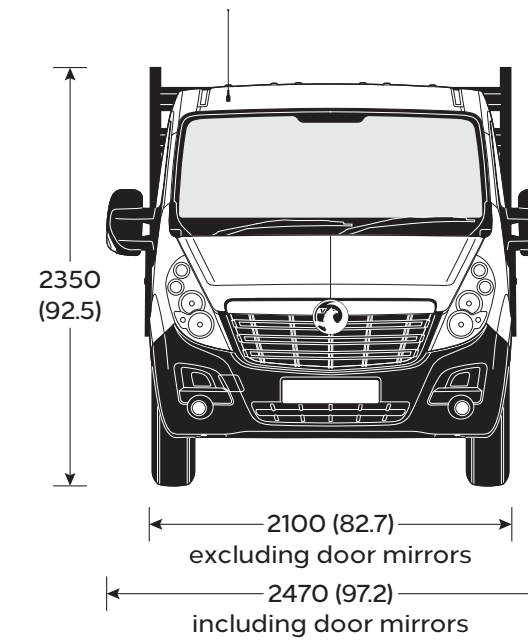
L3 RWD HD

NEW MOVANO DROPSIDE SPECIFICATIONS

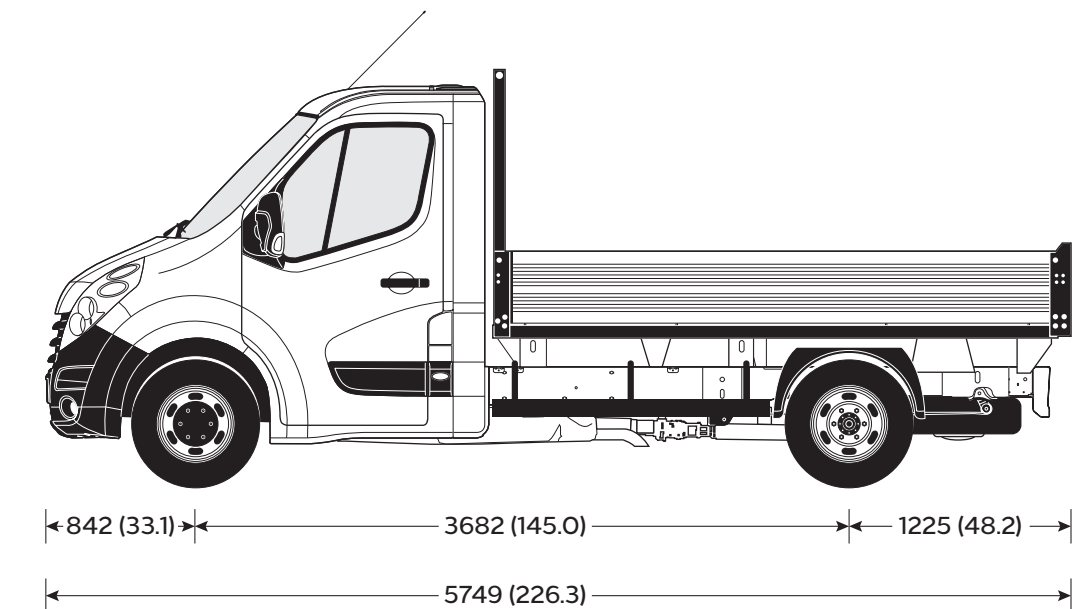
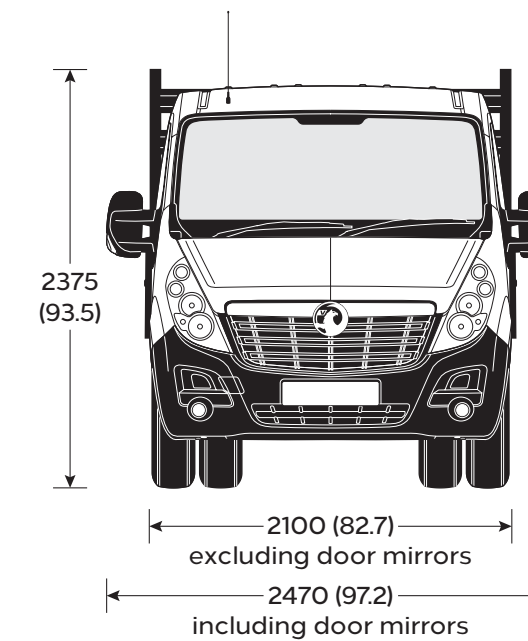
| Loadspace Dimensions | L2 FWD | L2 RWD | L2 RWD HD |
|--------------------------|--------------|--------------|--------------|
| Maximum length | 3170 (124.8) | 3170 (124.8) | 3170 (124.8) |
| Maximum width | 2040 (80.3) | 2040 (80.3) | 2040 (80.3) |
| Body side height | 400 (15.7) | 400 (15.7) | 400 (15.7) |
| Loading height (unladen) | 1026 (40.4) | 1026 (40.4) | 1026 (40.4) |
| Load area sq.m (sq.ft.) | 6.5 (70.0) | 6.5 (70.0) | 6.5 (70.0) |



L2 FWD



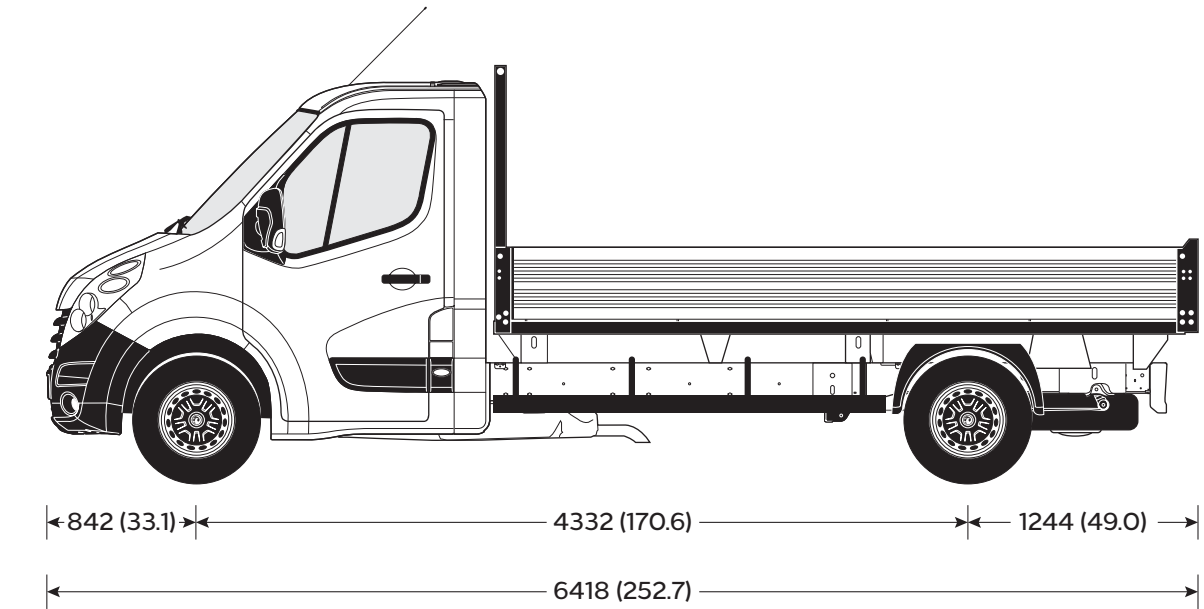
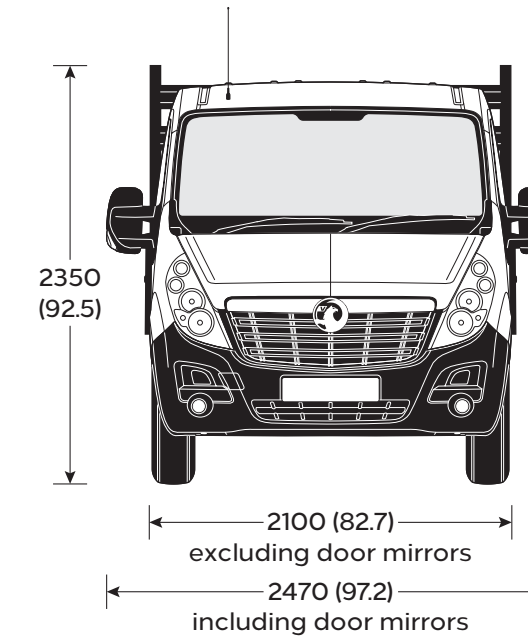
L2 RWD



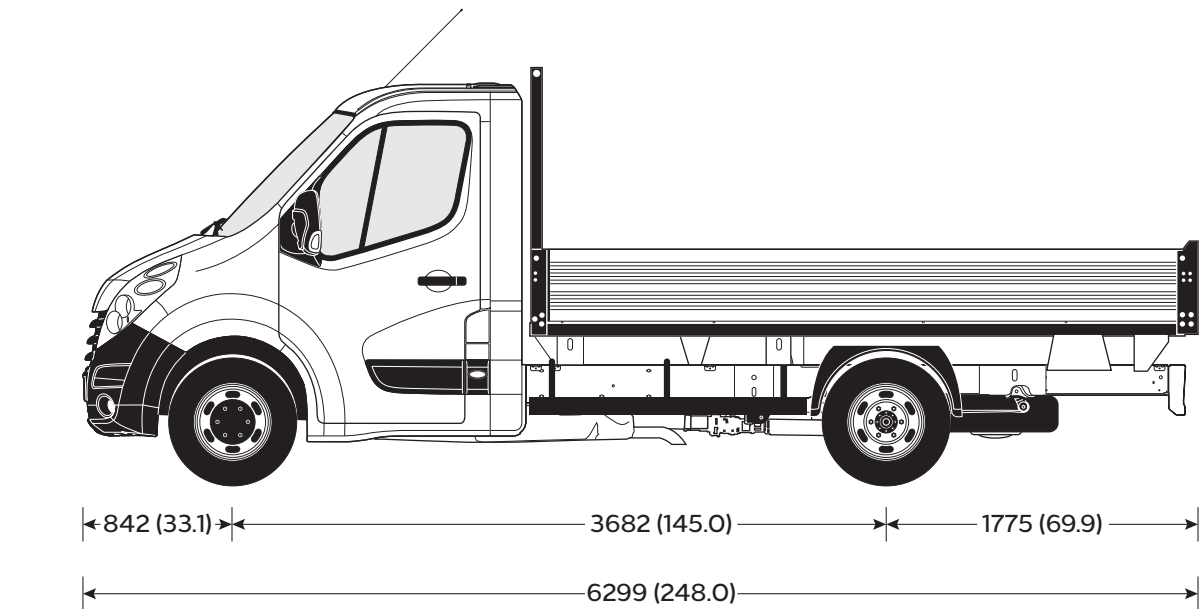
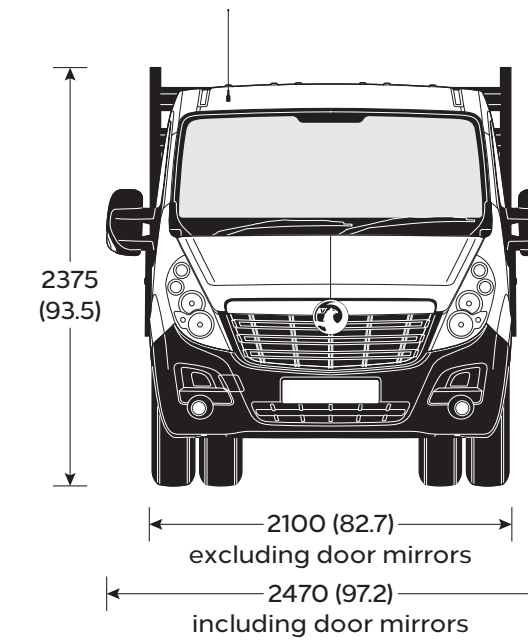
L2 RWD HD

NEW MOVANO DROPSIDE SPECIFICATIONS

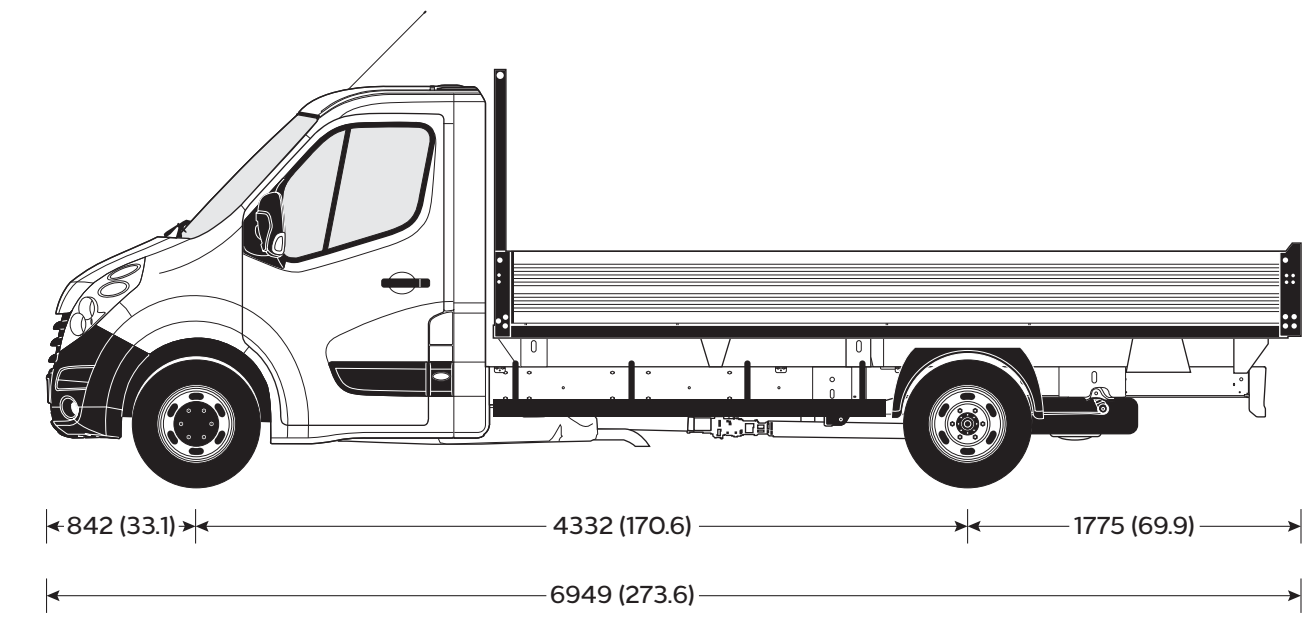
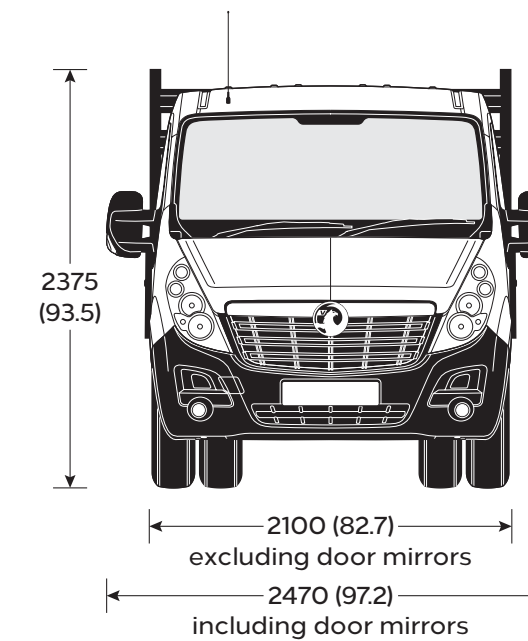
| Loadspace Dimensions | L3 FWD | L3 RWD HD | L4 RWD HD |
|--------------------------|--------------|--------------|--------------|
| Maximum length | 3900 (153.5) | 3700 (145.7) | 4470 (176.0) |
| Maximum width | 2040 (80.3) | 2040 (80.3) | 2040 (80.3) |
| Body side height | 400 (15.7) | 400 (15.7) | 400 (15.7) |
| Loading height (unladen) | 1026 (40.4) | 1026 (40.4) | 1026 (40.4) |
| Load area sq.m (sq.ft.) | 7.8 (83.9) | 7.6 (81.8) | 8.9 (95.8) |



L3 FWD



L3 RWD HD

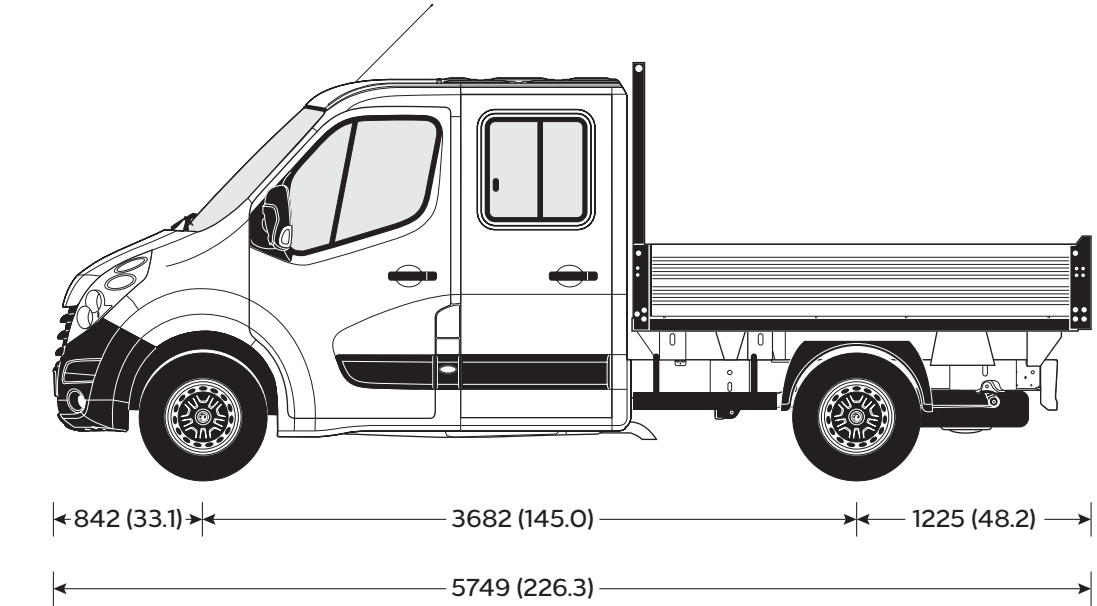
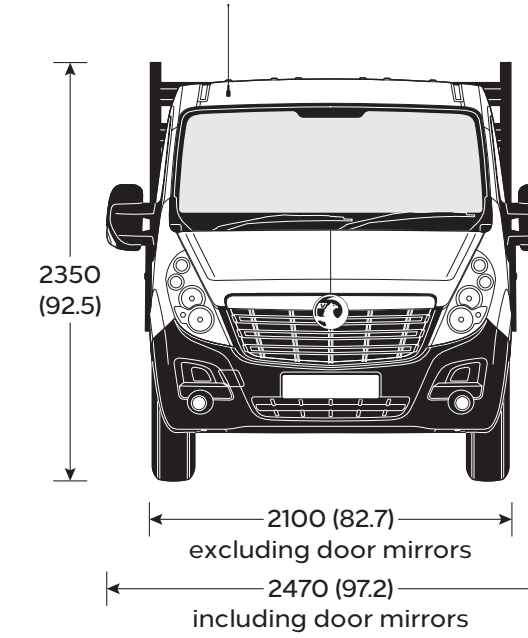


L4 RWD HD

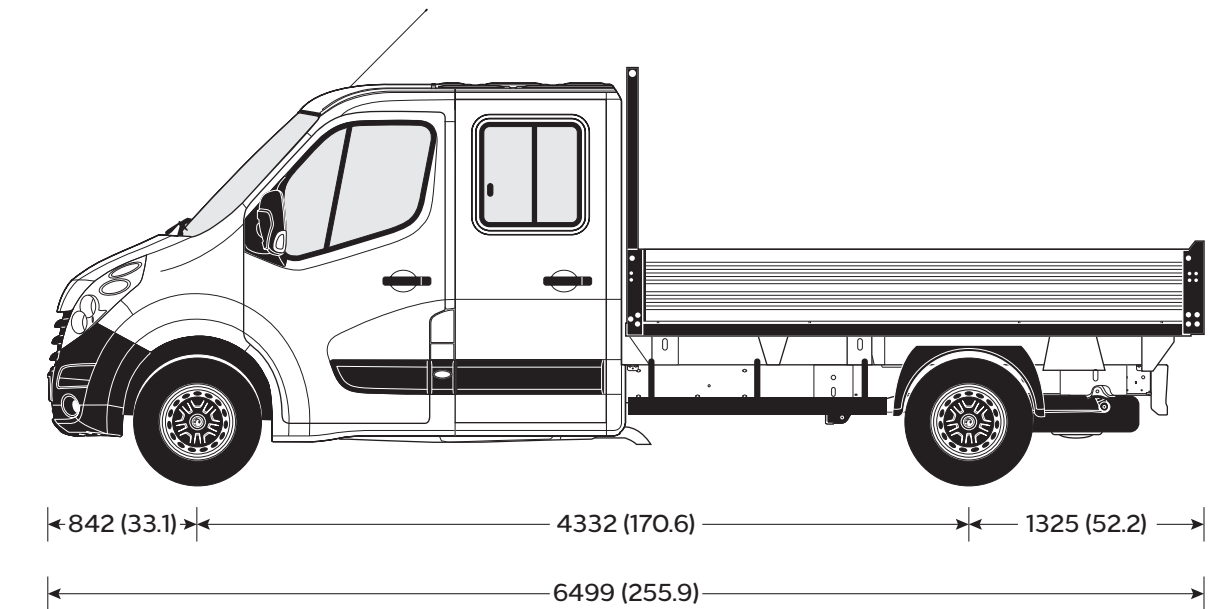
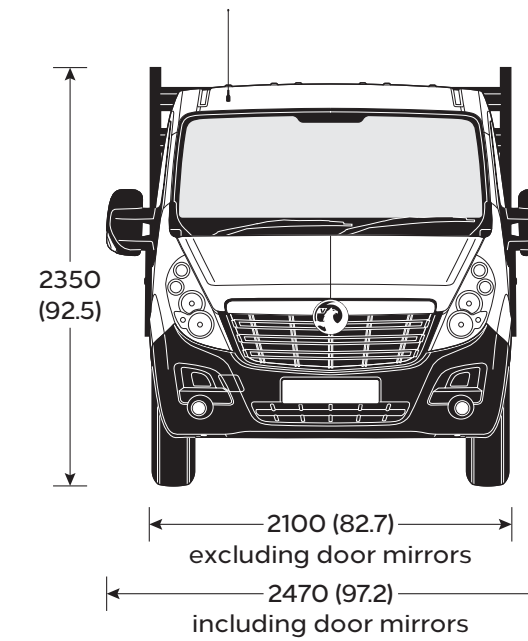
All measurements are in mm (inches) unless stated otherwise. Heights shown unladen.

NEW MOVANO DROPSIDE CREW CAB SPECIFICATIONS

| Loadspace Dimensions | L2 FWD | L3 FWD |
|--------------------------|-------------|--------------|
| Maximum length | 2501 (98.5) | 3170 (124.8) |
| Maximum width | 2040 (80.3) | 2040 (80.3) |
| Body side height | 400 (15.7) | 400 (15.7) |
| Loading height (unladen) | 1026 (40.4) | 1026 (40.4) |
| Load area sq.m (sq.ft.) | 4.9 (52.7) | 6.5 (70.0) |



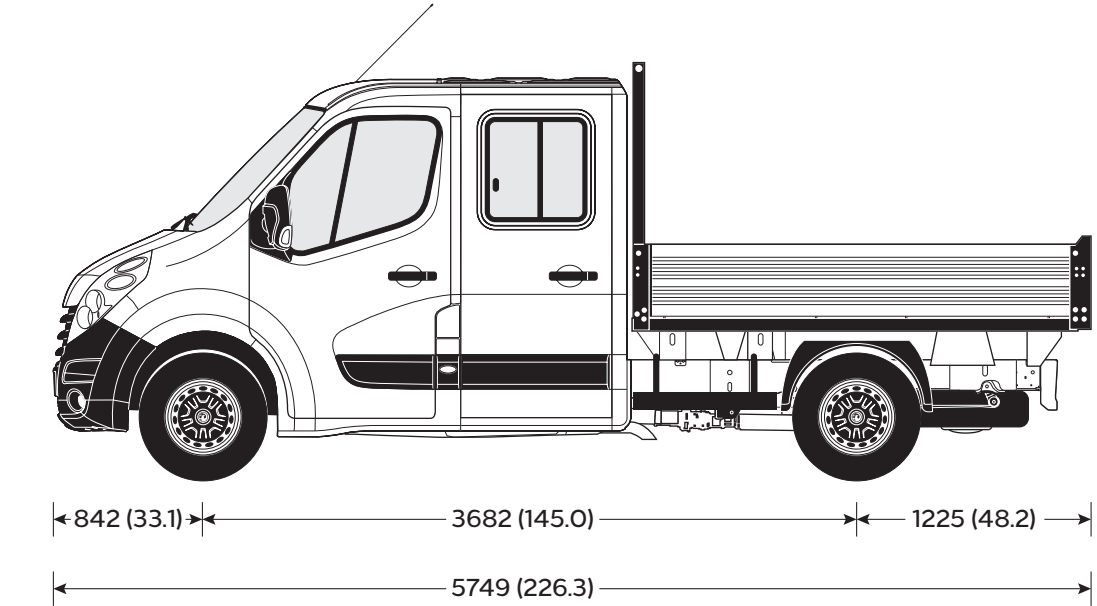
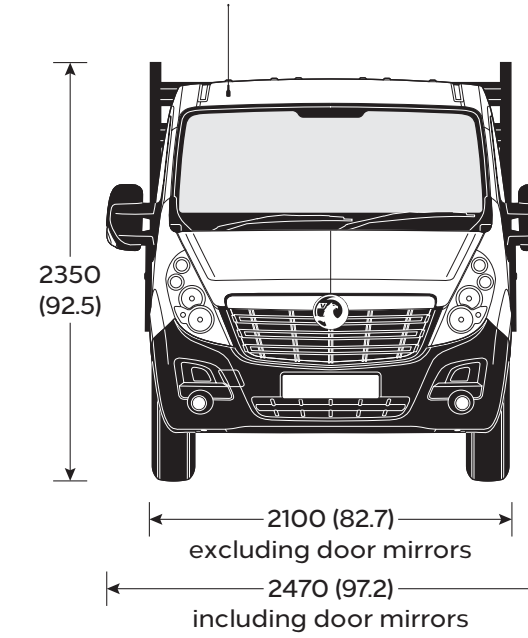
L2 FWD



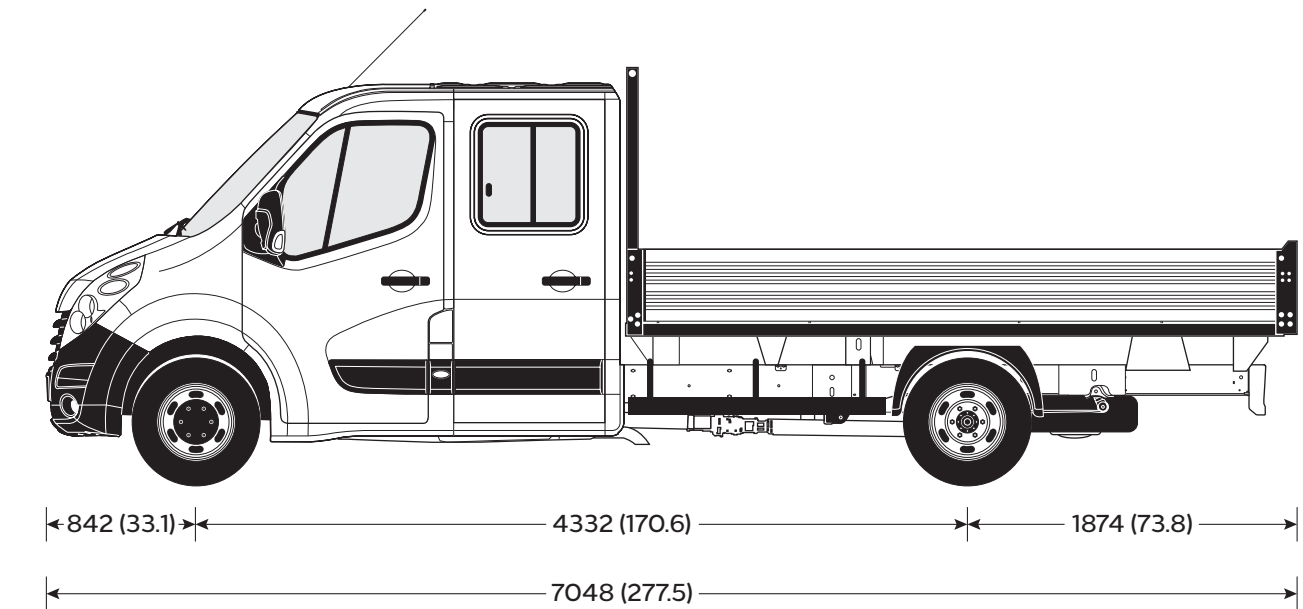
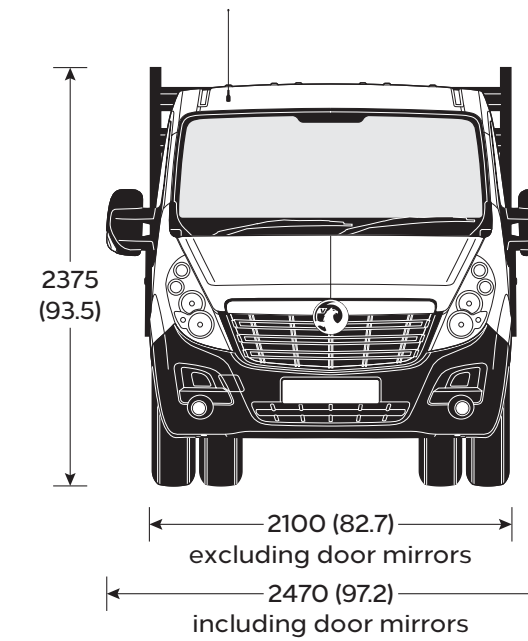
L3 FWD

NEW MOVANO DROPSIDE CREW CAB SPECIFICATIONS

| Loadspace Dimensions | L2 RWD | L4 RWD HD |
|--------------------------|-------------|--------------|
| Maximum length | 2501 (98.5) | 3702 (145.7) |
| Maximum width | 2040 (80.3) | 2040 (80.3) |
| Body side height | 400 (15.7) | 400 (15.7) |
| Loading height (unladen) | 1026 (40.4) | 1026 (40.4) |
| Load area sq.m (sq.ft.) | 4.9 (52.7) | 7.6 (81.8) |



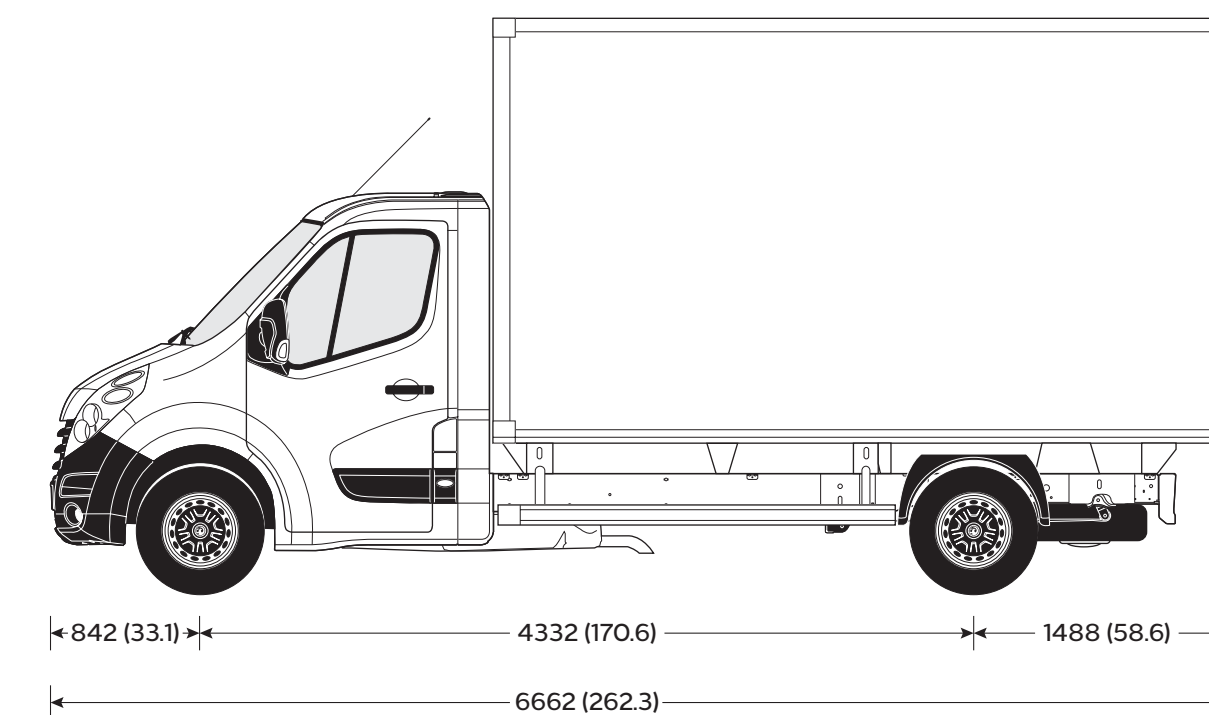
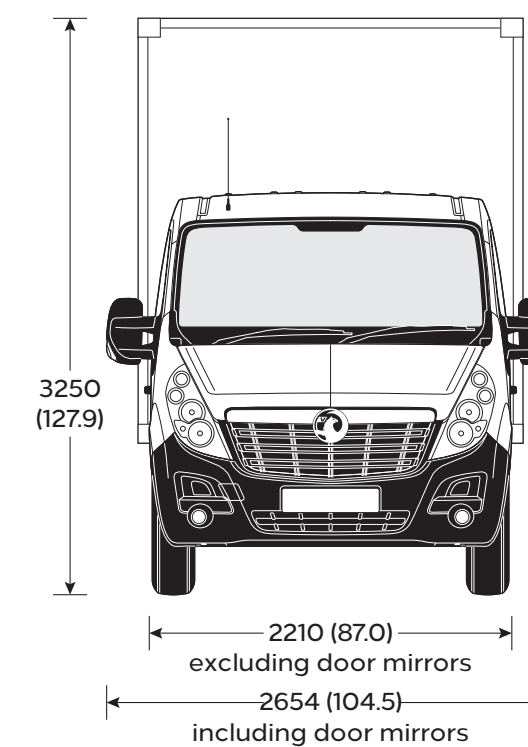
L2 RWD



L4 RWD HD

NEW MOVANO BOX VAN SPECIFICATIONS

| Loadspace Dimensions | L3 20cu.m FWD/RWD |
|--|------------------------------|
| Maximum internal length | 4100 (161.4) |
| Maximum internal width | 2150 (84.6) |
| Maximum internal height | 2200 (86.6) |
| Loading height (unladen) | 1050 (41.3) |
| Loadspace Volumes cu.m (cu.ft.) | |
| VDA method | 19.4 (685.1) |

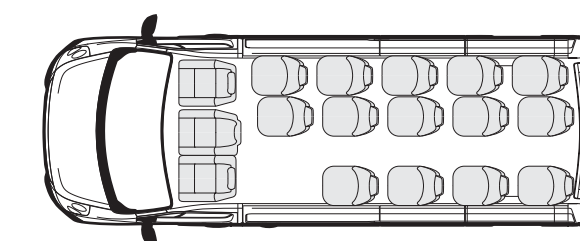
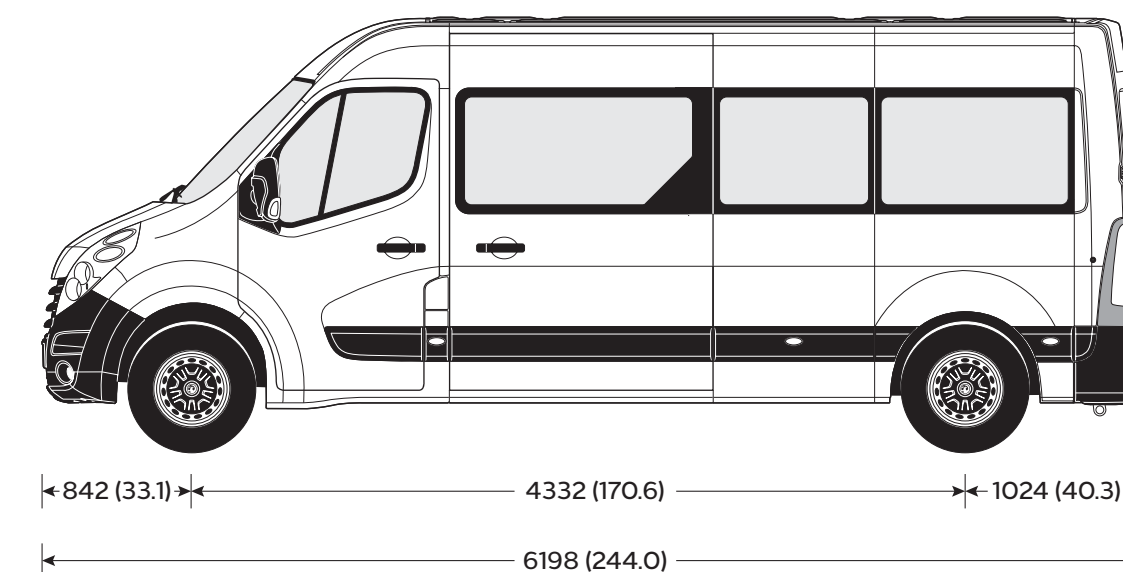
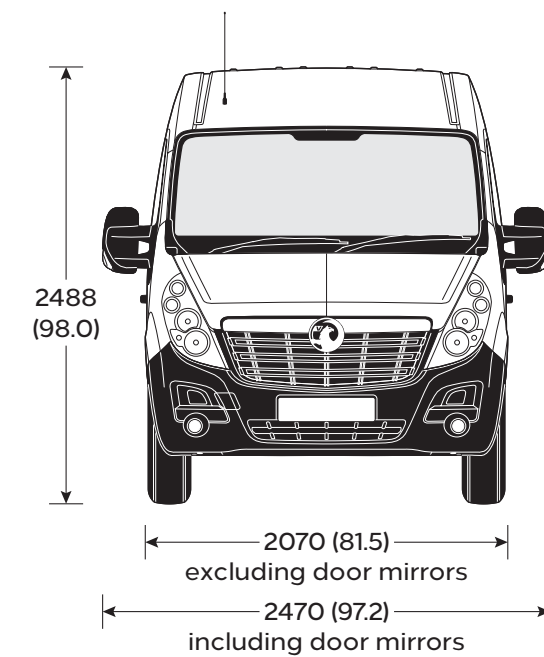


L3 FWD (20cu.m)

NEW MOVANO MINIBUS SPECIFICATIONS

Plated Weights and Towing Data kg

| Model | Gross Vehicle Weights (GVW) | Plated weights | | Towing weights | | Plated Gross Combination Weights (GCW) |
|---------------|-----------------------------|----------------|-----------|----------------|-----------|--|
| | | Front axle | Rear axle | Braked | Un-braked | |
| L3 H2 Minibus | F3960 | 3960 | 1850 | 2150 | n/a | n/a |



L3 H2 17-SEAT

Gross plated weights (including axle weights) quoted on the vehicle plate are to UK plated weight specification and must never be exceeded. For further information please see Glossary of Terms.

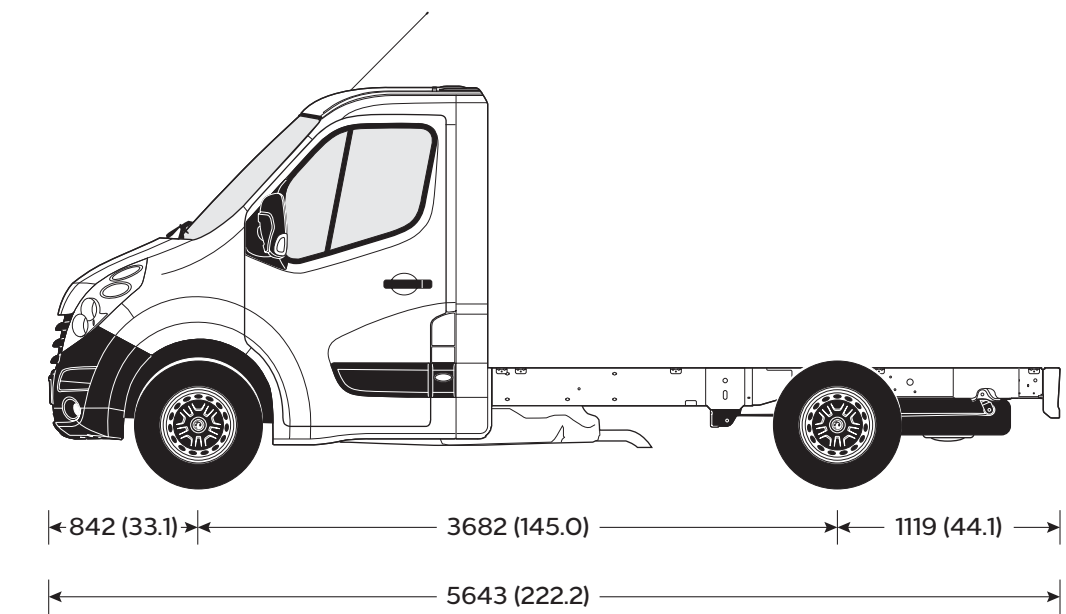
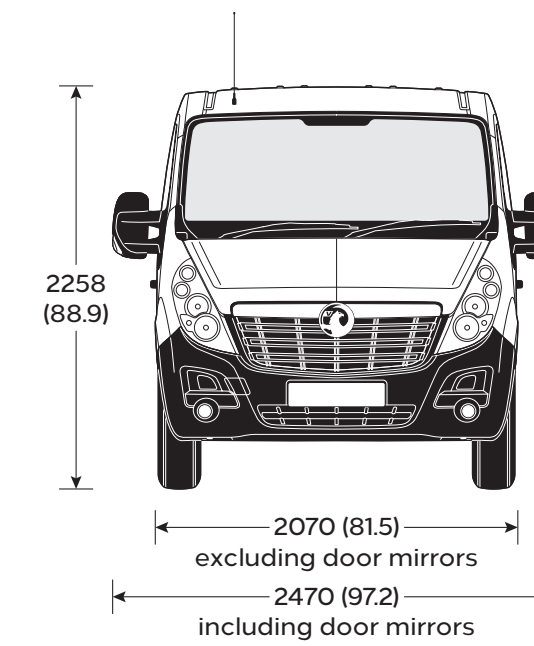
All measurements are in mm (inches) unless stated otherwise. Heights shown unladen.

NEW MOVANO CHASSIS CAB SPECIFICATIONS

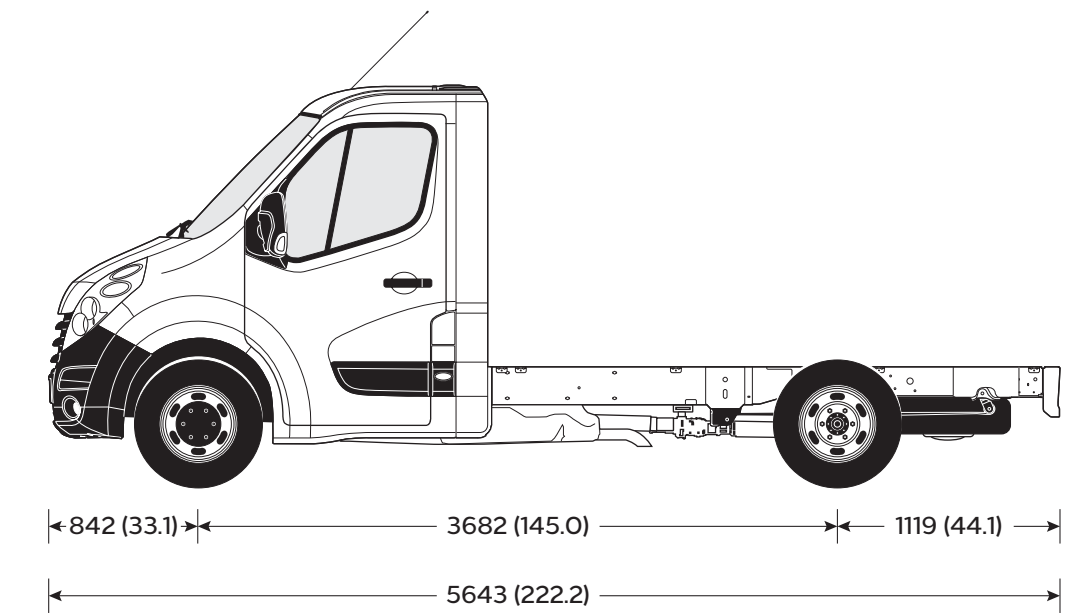
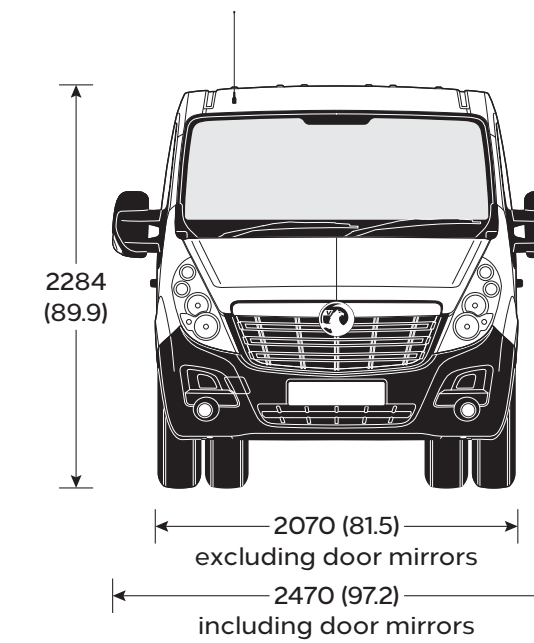
New Movano chassis cab models feature rugged box section chassis rails, featuring wide top sections with built-in mounting points. The bolted rear under-run bar provides additional in-built safety, as well as ample margins for additional bodywork while retaining outstanding payloads.

Plated Weights and Towing Data kg

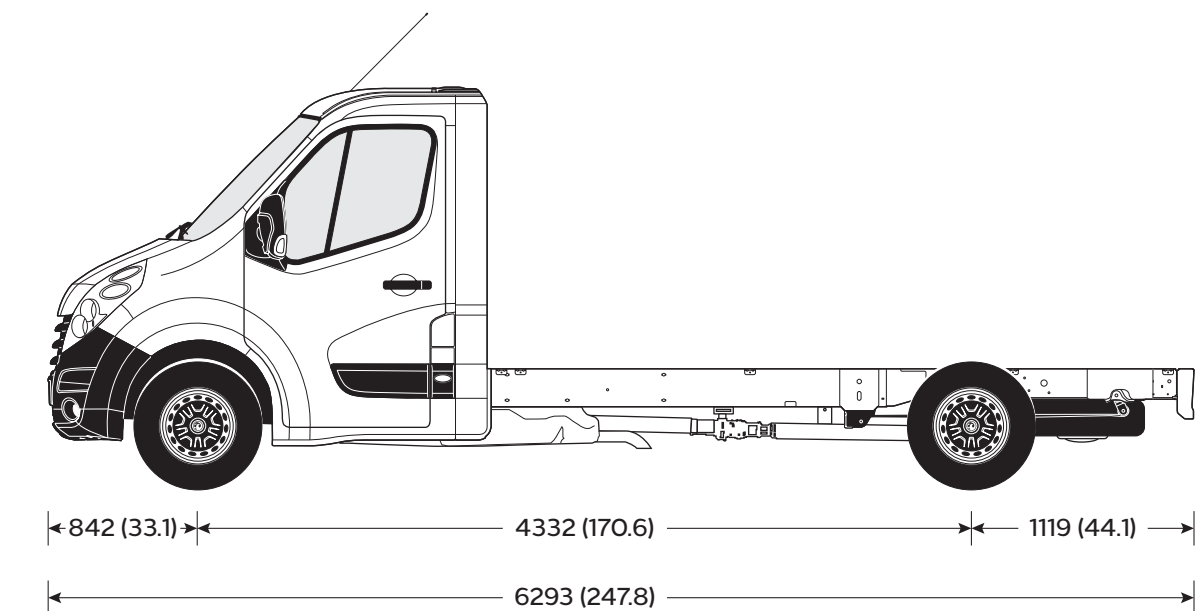
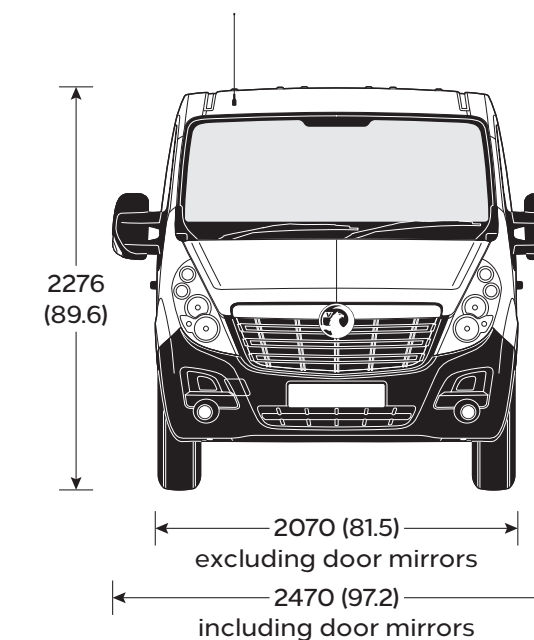
| Model | | Gross Vehicle Weights (GVW) | Plated weights | | Towing weights | | Plated Gross Combination Weights (GCW) |
|---------------------|---------|-----------------------------|----------------|-----------|----------------|-----------|--|
| | | | Front axle | Rear axle | Braked | Un-braked | |
| L2 H1/L3 H1 Chassis | F3500 | 3500 | 1850 | 2100 | 2500 | 750 | 6000 |
| | R3500 | 3500 | 1850 | 2300 | 2500 | 750 | 6000 |
| | R3500HD | 3500 | 1850 | 2800 | 3500 | 750 | 7000 |
| | R4500HD | 4500 | 1850 | 3200 | 3000 | 750 | 7500 |



L2 FWD



L2 RWD/L2 RWD HD



L3 RWD

All conversions must follow 'Vauxhall Converter Requirements' including recommended dimensional data, detailed within Part 1, available at: www.converters-and-groupe-psa.com. The weight of any fitted conversion body will have to be deducted from these figures to establish actual payload and is subject to correct weight distribution. Variations from the recommended dimensions or weights may affect the vehicle's overall centre of gravity and stability. From 29 April 2013 conversion of N1 vehicles was affected by changes to type approval – for further information refer to the VCA website (N2 vehicles were affected from 29 October 2014). For further information please contact conversions@vauxhall.co.uk

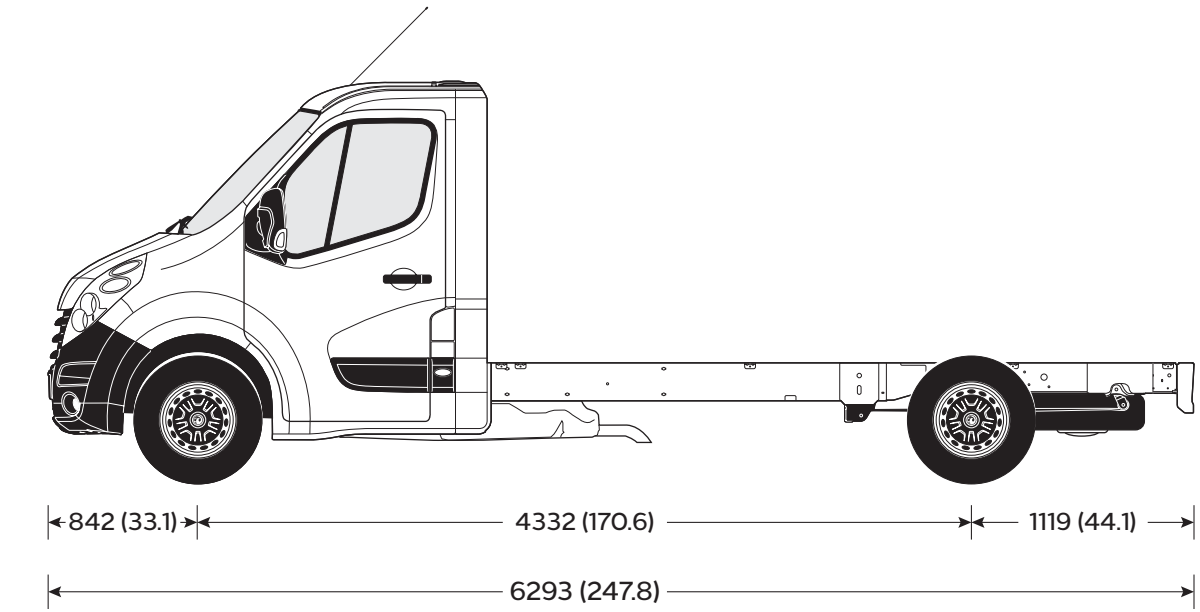
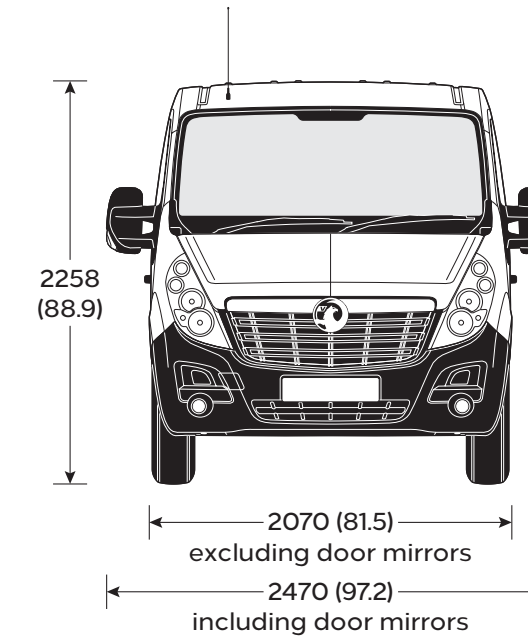
Gross plated weights (including axle weights) quoted on the vehicle plate are to UK plated weight specification and must never be exceeded. For further information please see Glossary of Terms.

All measurements are in mm (inches) unless stated otherwise. Heights shown unladen.

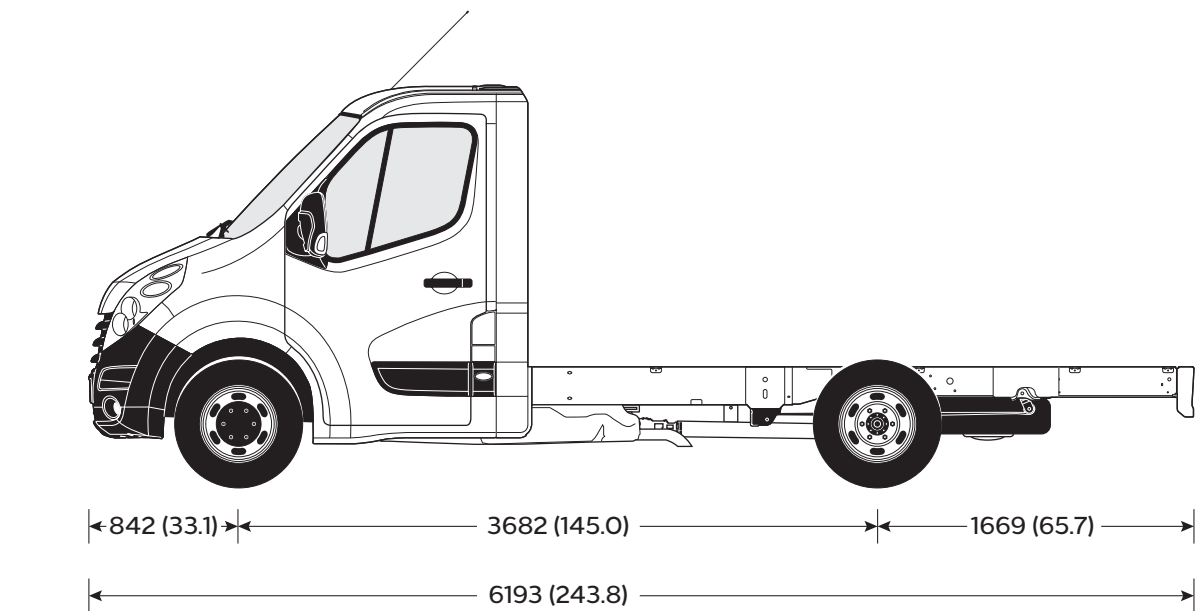
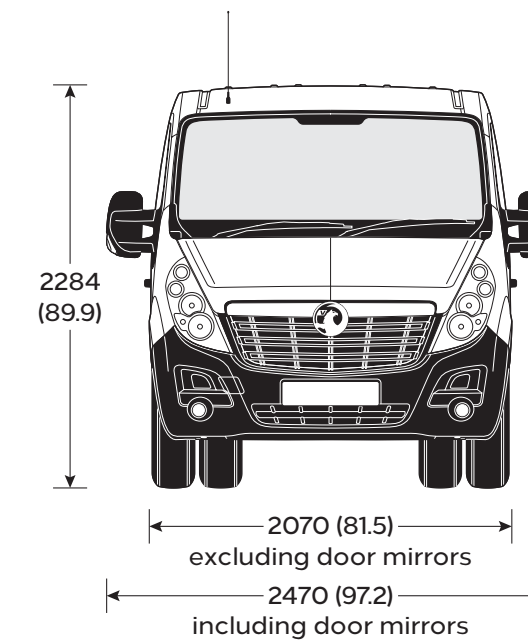
NEW MOVANO CHASSIS CAB SPECIFICATIONS

Plated Weights and Towing Data kg

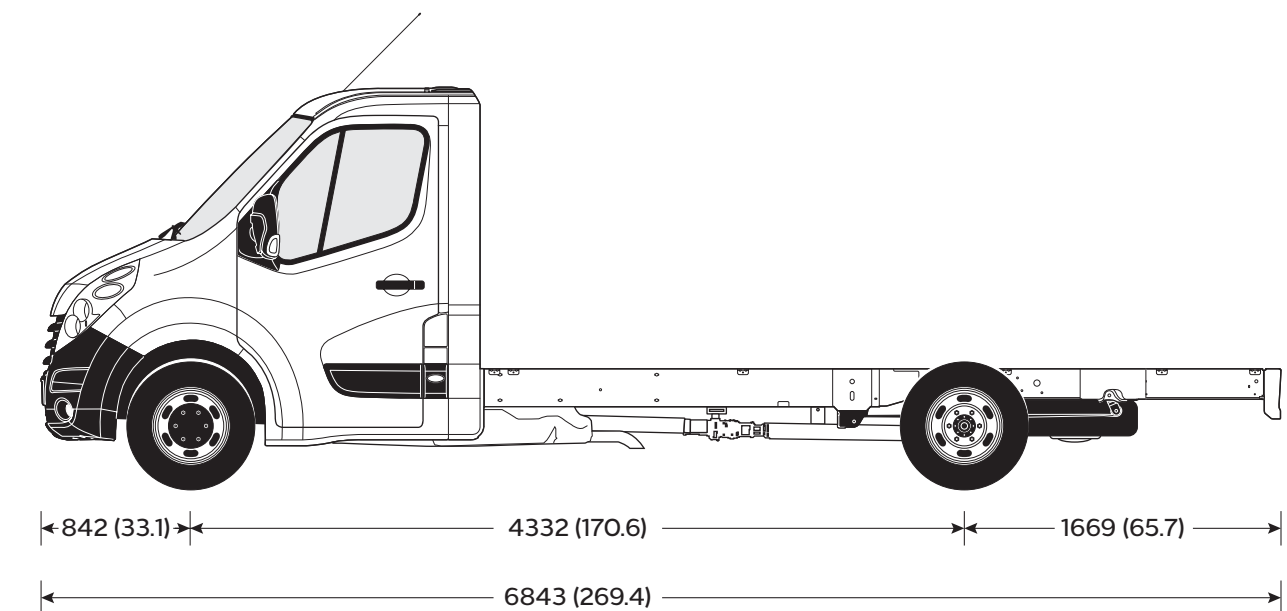
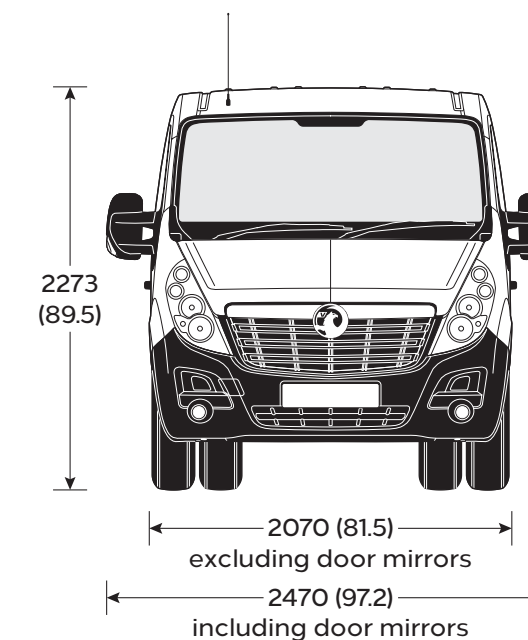
| Model | | Gross Vehicle Weights (GVW) | Plated weights | | Towing weights | | Plated Gross Combination Weights (GCW) |
|---------------------|---------|-----------------------------|----------------|-----------|----------------|-----------|--|
| | | | Front axle | Rear axle | Braked | Un-braked | |
| L3 H1/L4 H1 Chassis | F3500 | 3500 | 1850 | 2100 | 2500 | 750 | 6000 |
| | R3500 | 3500 | 1850 | 2300 | 2500 | 750 | 6000 |
| | R3500HD | 3500 | 1850 | 2800 | 3500 | 750 | 7000 |
| | R4500HD | 4500 | 1850 | 3200 | 3000 | 750 | 7500 |



L3 FWD



L3 RWD HD



L4 RWD HD

All conversions must follow 'Vauxhall Converter Requirements' including recommended dimensional data, detailed within Part 1, available at: www.converters-and-groupe-psa.com. The weight of any fitted conversion body will have to be deducted from these figures to establish actual payload and is subject to correct weight distribution. Variations from the recommended dimensions or weights may affect the vehicle's overall centre of gravity and stability. From 29 April 2013 conversion of N1 vehicles was affected by changes to type approval – for further information refer to the VCA website (N2 vehicles were affected from 29 October 2014). For further information please contact conversions@vauxhall.co.uk

Gross plated weights (including axle weights) quoted on the vehicle plate are to UK plated weight specification and must never be exceeded. For further information please see Glossary of Terms.

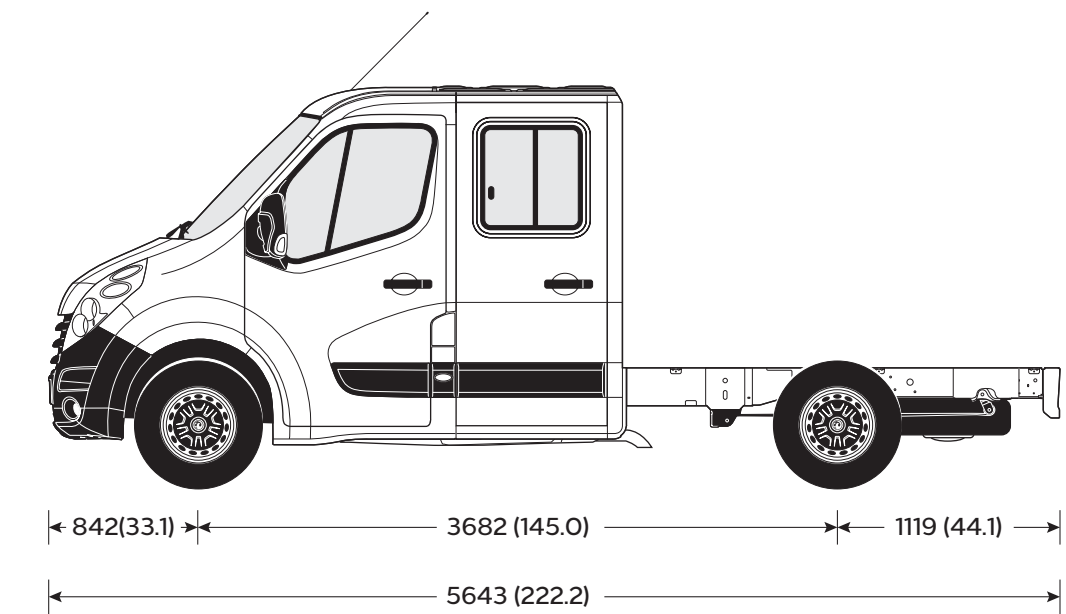
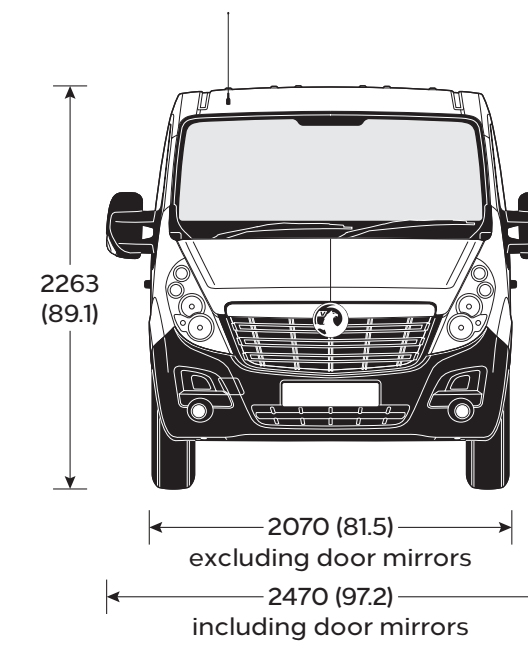
All measurements are in mm (inches) unless stated otherwise. Heights shown unladen.

NEW MOVANO CHASSIS CREW CAB SPECIFICATIONS

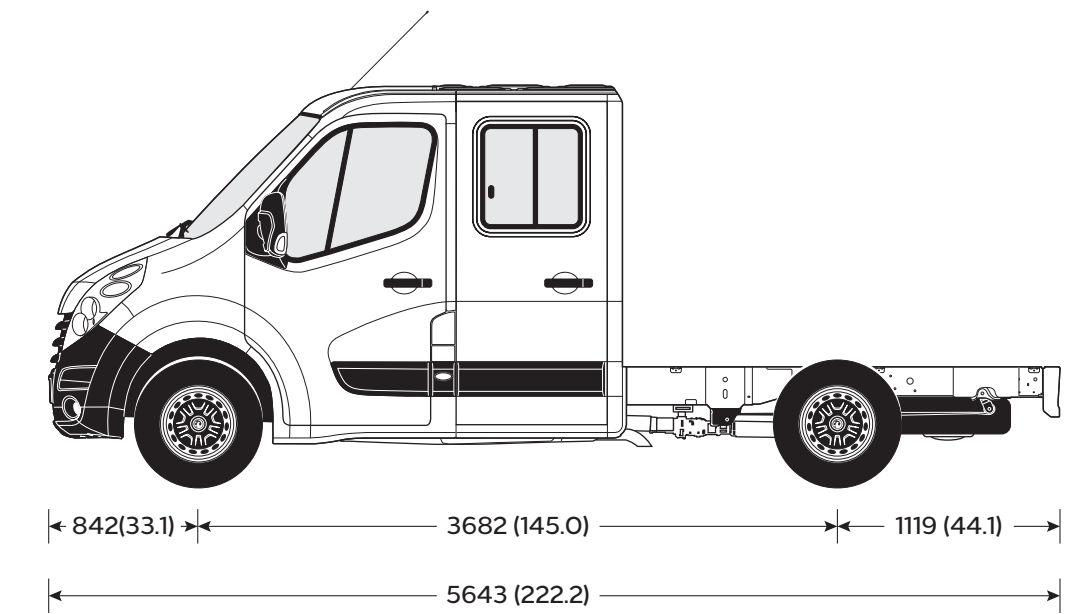
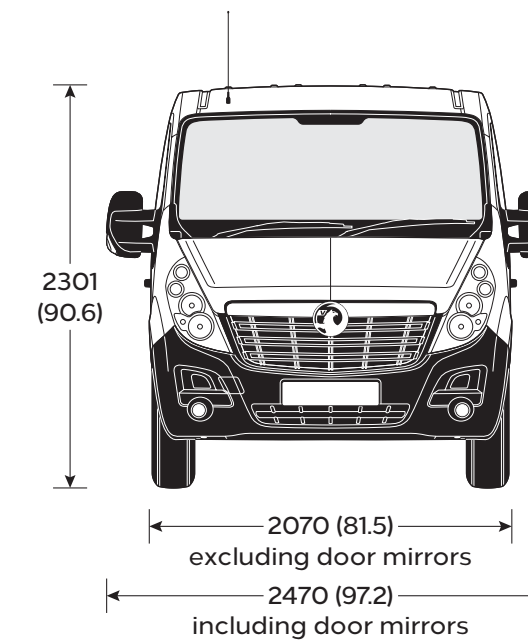
Crew cab models provide the same choice of body configurations and GVWs as our chassis cab variants but introduce an added dose of versatility by providing extra accommodation for four additional crew members.

Plated Weights and Towing Data kg

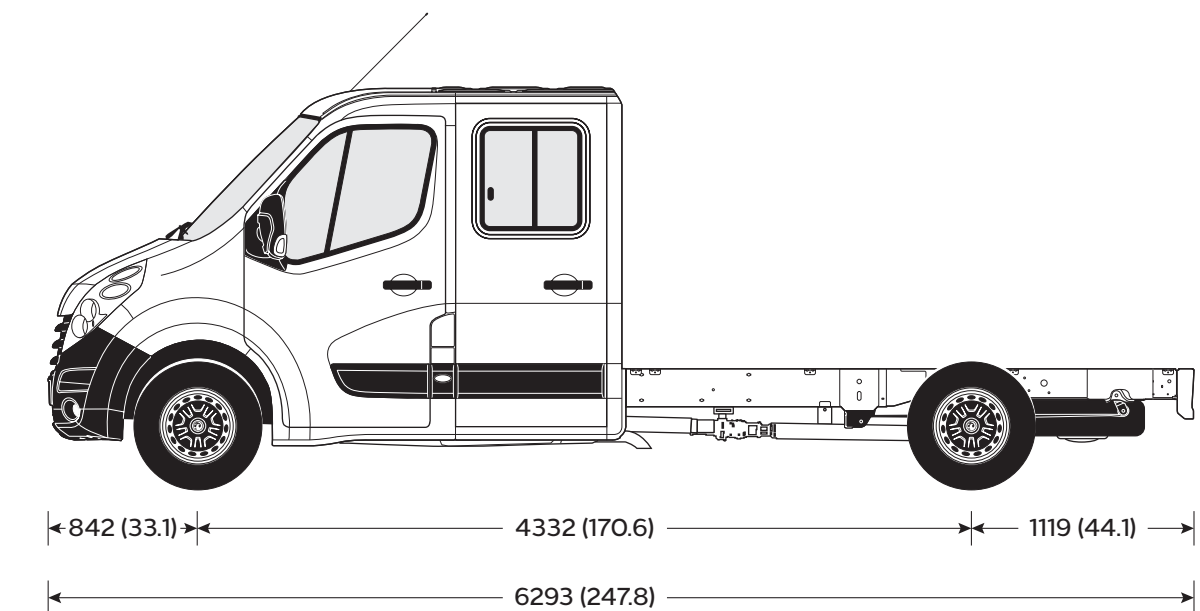
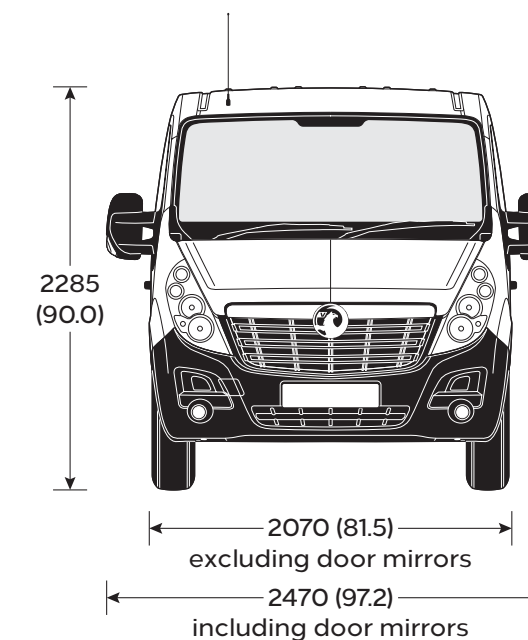
| Model | | Gross Vehicle Weights (GVW) | Plated weights | | Towing weights | | Plated Gross Combination Weights (GCW) |
|------------------------------|---------|-----------------------------|----------------|-----------|----------------|-----------|--|
| | | | Front axle | Rear axle | Braked | Un-braked | |
| L2 H1/L3 H1 Chassis Crew Cab | F3500 | 3500 | 1850 | 2100 | 2500 | 750 | 6000 |
| | R3500 | 3500 | 1850 | 2300 | 2500 | 750 | 6000 |
| | R3500HD | 3500 | 1850 | 2800 | 3500 | 750 | 7000 |
| | R4500HD | 4500 | 1850 | 3200 | 3000 | 750 | 7500 |



L2 FWD



L2 RWD



L3 RWD

All conversions must follow 'Vauxhall Converter Requirements' including recommended dimensional data, detailed within Part 1, available at: www.converters-and-groupe-psa.com. The weight of any fitted conversion body will have to be deducted from these figures to establish actual payload and is subject to correct weight distribution. Variations from the recommended dimensions or weights may affect the vehicle's overall centre of gravity and stability. From 29 April 2013 conversion of N1 vehicles was affected by changes to type approval – for further information refer to the VCA website (N2 vehicles were affected from 29 October 2014). For further information please contact conversions@vauxhall.co.uk

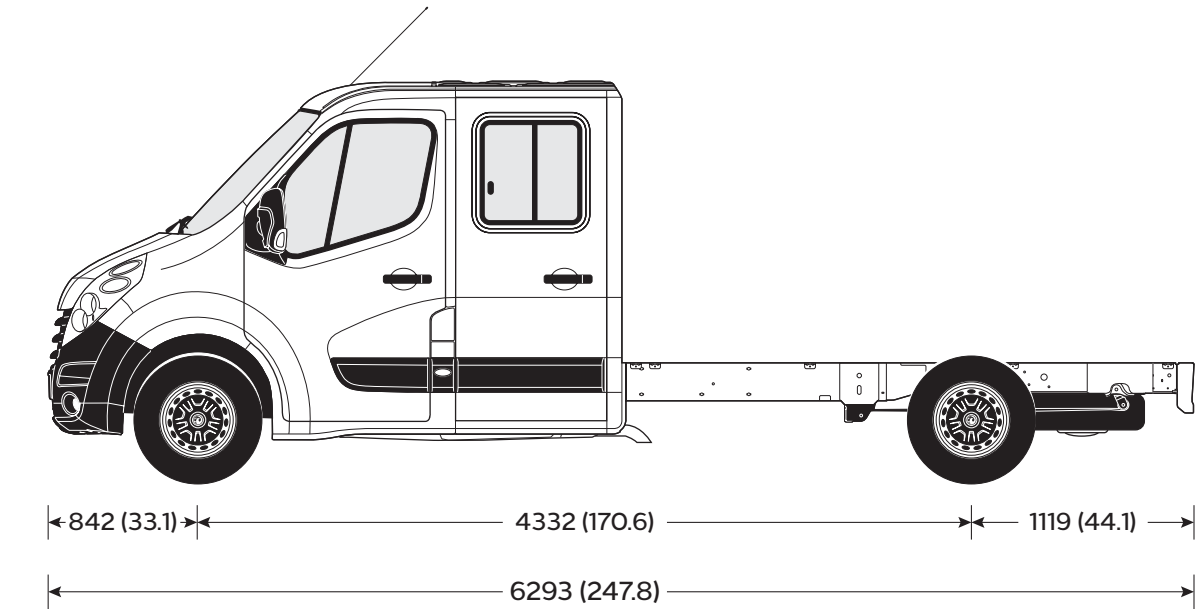
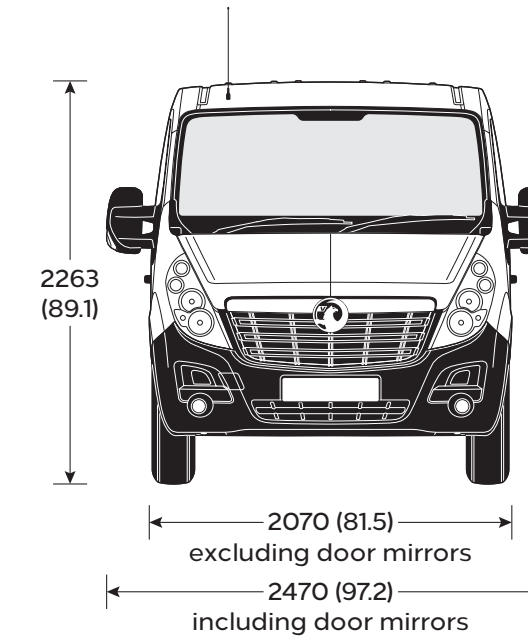
Gross plated weights (including axle weights) quoted on the vehicle plate are to UK plated weight specification and must never be exceeded. For further information please see Glossary of Terms.

All measurements are in mm (inches) unless stated otherwise. Heights shown unladen.

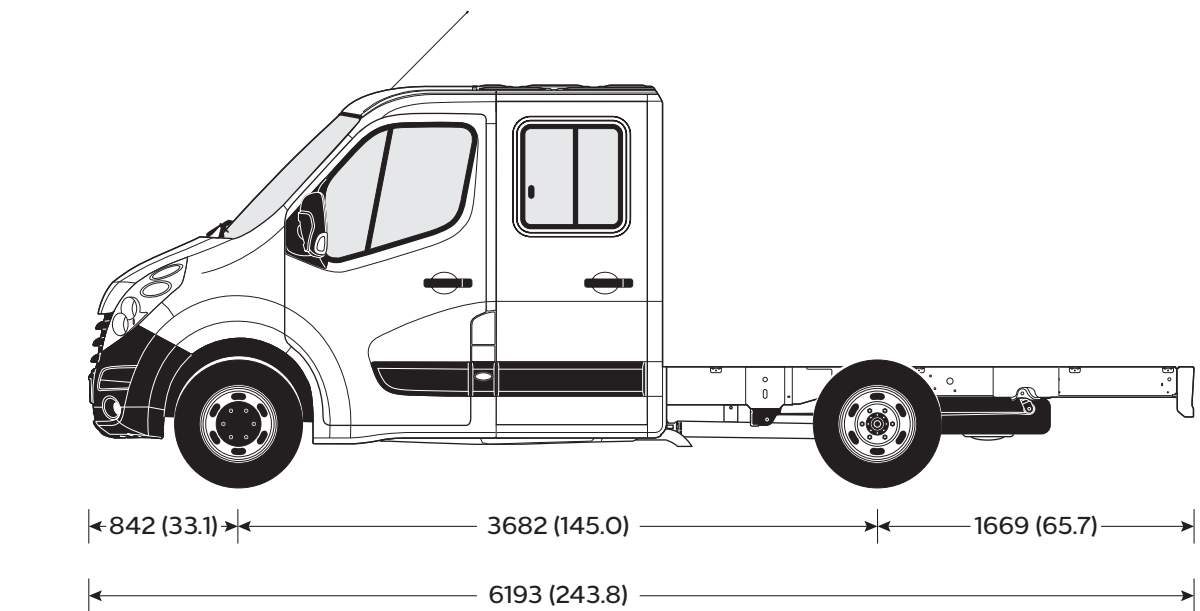
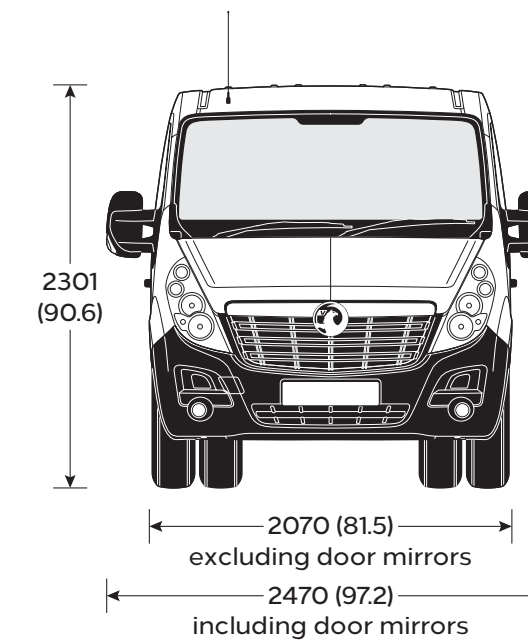
NEW MOVANO CHASSIS CREW CAB SPECIFICATIONS

Plated Weights and Towing Data kg

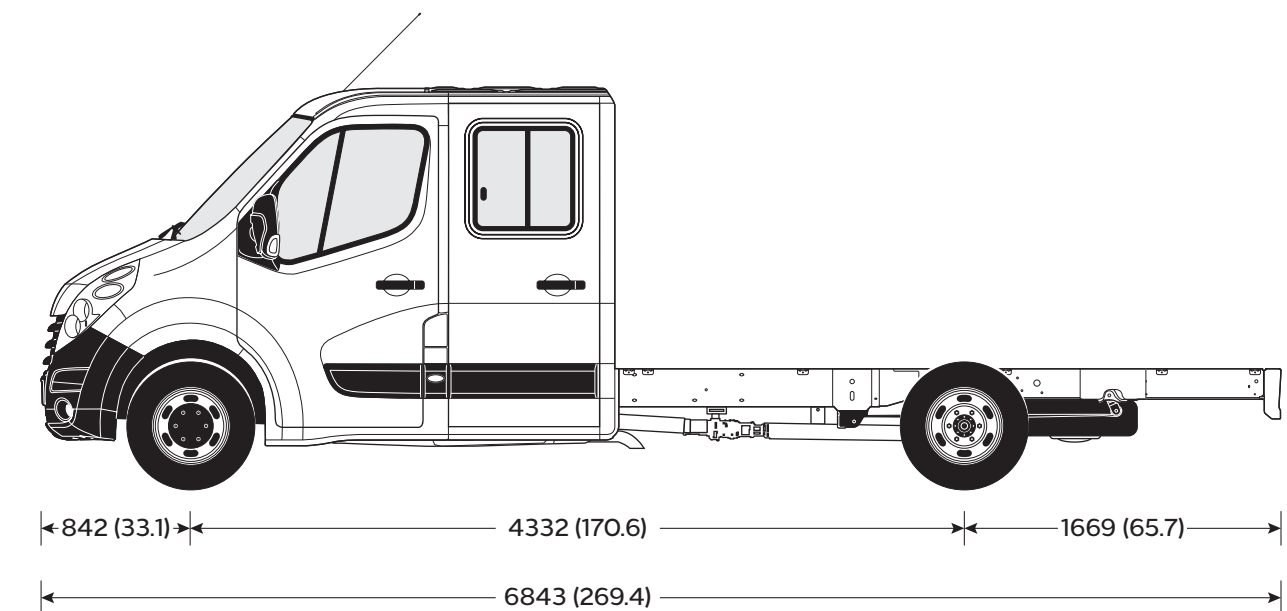
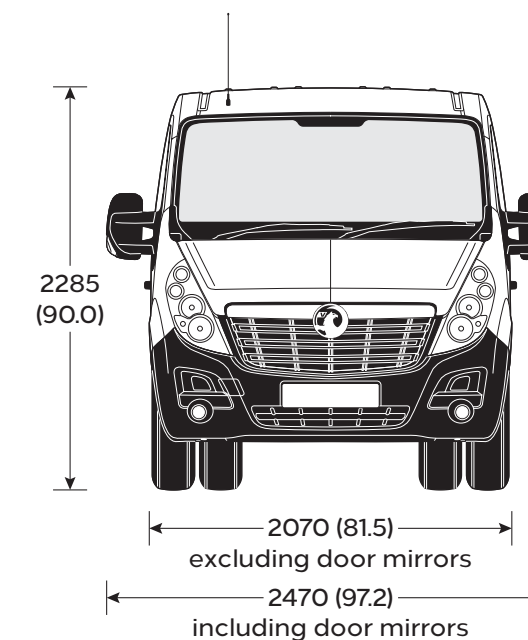
| Model | | Gross Vehicle Weights (GVW) | Plated weights | | Towing weights | | Plated Gross Combination Weights (GCW) |
|------------------------------|---------|-----------------------------|----------------|-----------|----------------|-----------|--|
| | | | Front axle | Rear axle | Braked | Un-braked | |
| L3 H1/L4 H1 Chassis Crew Cab | F3500 | 3500 | 1850 | 2100 | 2500 | 750 | 6000 |
| | R3500 | 3500 | 1850 | 2300 | 2500 | 750 | 6000 |
| | R3500HD | 3500 | 1850 | 2800 | 3500 | 750 | 7000 |
| | R4500HD | 4500 | 1850 | 3200 | 3000 | 750 | 7500 |



L3 FWD



L3 RWD HD



L4 RWD HD

All conversions must follow 'Vauxhall Converter Requirements' including recommended dimensional data, detailed within Part 1, available at: www.converters-and-groupe-psa.com. The weight of any fitted conversion body will have to be deducted from these figures to establish actual payload and is subject to correct weight distribution. Variations from the recommended dimensions or weights may affect the vehicle's overall centre of gravity and stability. From 29 April 2013 conversion of N1 vehicles was affected by changes to type approval – for further information refer to the VCA website (N2 vehicles were affected from 29 October 2014). For further information please contact conversions@vauxhall.co.uk

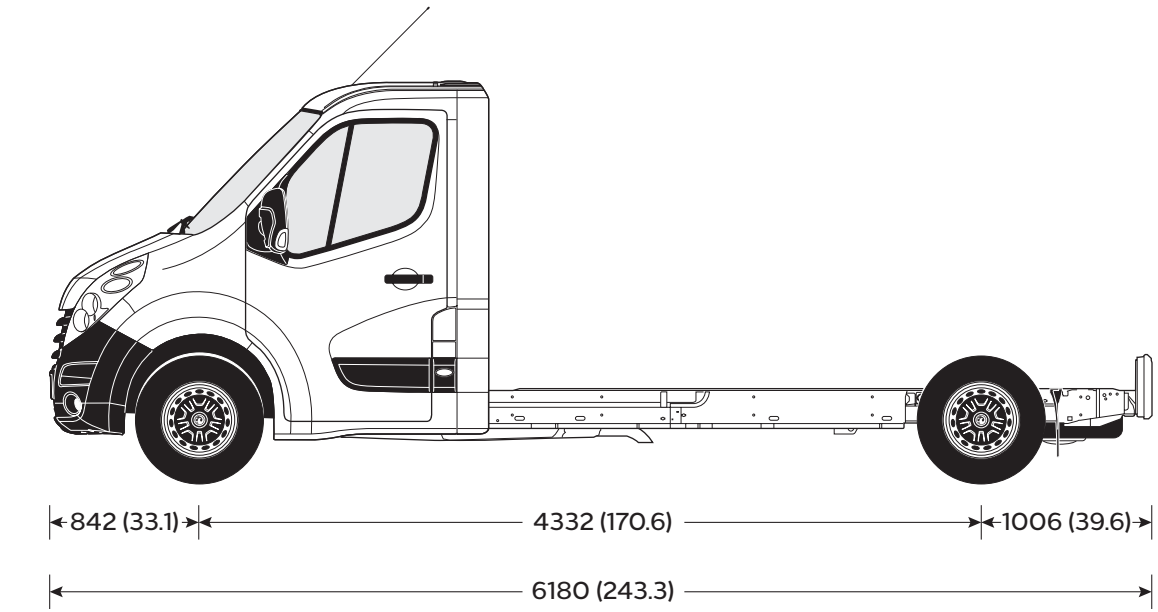
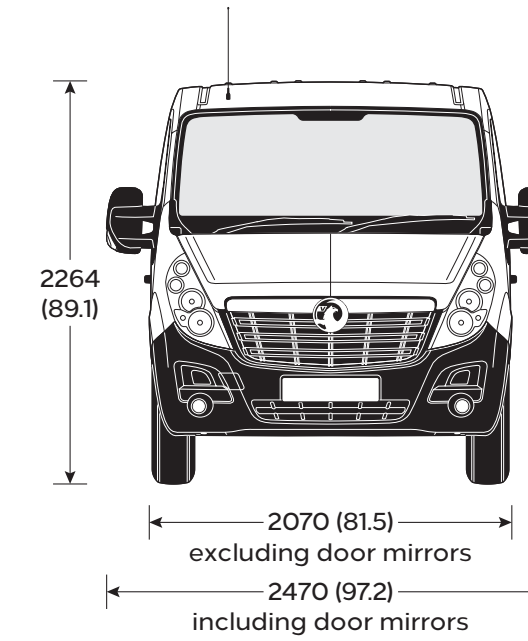
Gross plated weights (including axle weights) quoted on the vehicle plate are to UK plated weight specification and must never be exceeded. For further information please see Glossary of Terms.

All measurements are in mm (inches) unless stated otherwise. Heights shown unladen.

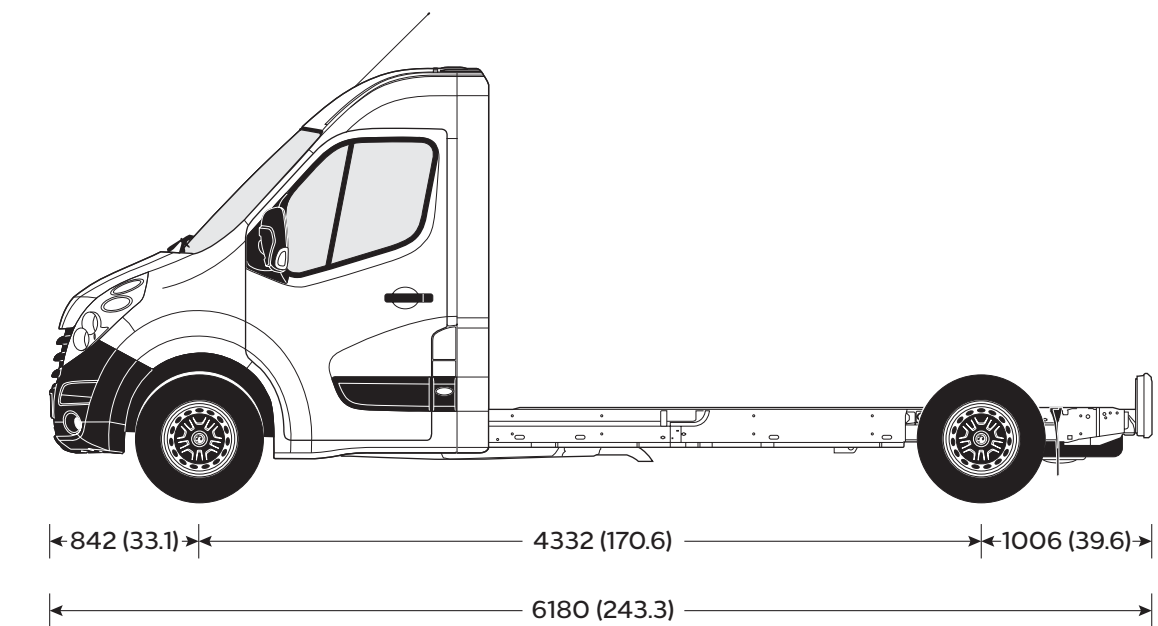
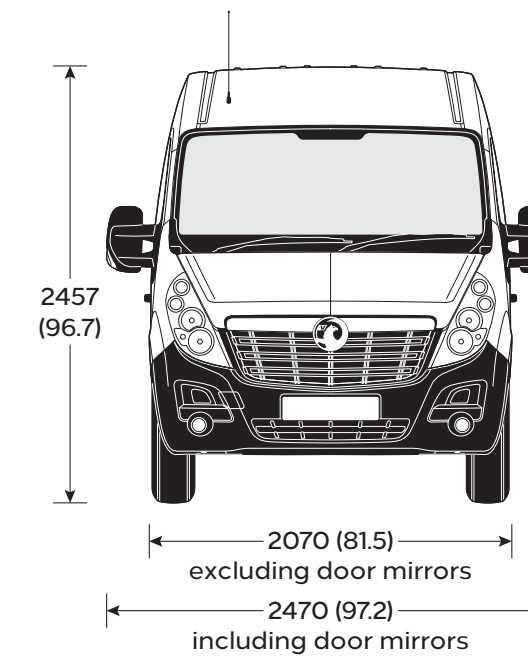
NEW MOVANO PLATFORM CAB SPECIFICATIONS

Plated Weights and Towing Data kg

| Model | | Gross Vehicle Weights (GVW) | Plated weights | | Towing weights | | Plated Gross Combination Weights (GCW) |
|--------------------------|-------|-----------------------------|----------------|-----------|----------------|-----------|--|
| | | | Front axle | Rear axle | Braked | Un-braked | |
| L3 H1/L3 H2 Platform Cab | F3500 | 3500 | 1850 | 2100 | 2500 | 750 | 6000 |



L3 H1 FWD



L3 H2 FWD

All conversions must follow 'Vauxhall Converter Requirements' including recommended dimensional data, detailed within Part 1, available at: www.converters-and-groupe-psa.com. The weight of any fitted conversion body will have to be deducted from these figures to establish actual payload and is subject to correct weight distribution. Variations from the recommended dimensions or weights may affect the vehicle's overall centre of gravity and stability. From 29 April 2013 conversion of N1 vehicles was affected by changes to type approval – for further information refer to the VCA website (N2 vehicles were affected from 29 October 2014). For further information please contact conversions@vauxhall.co.uk

Gross plated weights (including axle weights) quoted on the vehicle plate are to UK plated weight specification and must never be exceeded. For further information please see Glossary of Terms.

All measurements are in mm (inches) unless stated otherwise. Heights shown unladen.

NEW MOVANO ACCESSORIES

SAFETY Total (exc. VAT)

| | |
|---|-----|
| Safety pack – first aid kit, warning triangle, hi-visibility vest | £31 |
| First aid kit | £13 |
| Warning triangle (Large) | £17 |
| Hi-visibility vest | £8 |

PRACTICAL

| | |
|----------------------------|-----|
| Spare bulb kit | £17 |
| Stretch tow rope – 3 tonne | £30 |
| Smoker Pack | £63 |

SECURITY

| | |
|--|------|
| Steering wheel security bar | £82 |
| Rear window grille – H1 | £171 |
| Side sliding door window grille – L1 | £141 |
| Side sliding door (right) window grille – L2, L3, L4 | £149 |
| Side sliding door (left) window grille – L2, L3, L4 | £144 |

PROTECTION

| | |
|--|-----------|
| Carpet front floor mat | £57 |
| Mudflaps – set of four – L1/L2 | from £109 |
| Rear parking distance sensor (4 sensors) | £271 |
| Rear-view camera | £311 |

ROOF CARRIER SYSTEM

| | |
|---|--------|
| Base carrier (set of 2 bars) | |
| – H1 | £298 |
| – H2 | £300 |
| Aluminium roof rack tray (including roller) | |
| L1H1 | £961 |
| Aluminium roof rack tray (including roller) | |
| L1H2 | £961 |
| Aluminium roof rack tray (including roller) | |
| L2H2 | £1,079 |
| Aluminium roof rack tray (including roller) | |
| L3H2 | £1,070 |
| Aluminium roof rack tray (including roller) | |
| L4H2 | £1,065 |
| Aluminium roof rack tray (including roller) | |
| – Black L4 H2 | £985 |
| Roof Rack tray Steel walkway L1 | £289 |
| Roof Rack tray Steel walkway L2 | £334 |
| Roof Rack tray Steel walkway L3 | £331 |
| Roof Rack tray Steel walkway L4 | £328 |
| Roof Rack tray Black Steel walkway L4 | £272 |
| Roof Carrier Ladder H1 | £273 |
| Roof Carrier Ladder H2 | £292 |

TOWING

| | |
|--------------------------------------|-----------|
| Flange tow bar with 13-pin electrics | from £644 |
|--------------------------------------|-----------|

GLOSSARY OF TERMS

Plated weight

The maximum weight to which a vehicle or an axle may be loaded, determined either by the design of the components or by legislation. All commercial vehicles must carry a manufacturer's 'plate' showing the vehicle and axle gross 'plated weights'. It is an offence to drive a vehicle in a condition where any of these weights are exceeded.

Minimum Mass

Minimum Mass ('Mass in running order' on Certificate of Conformity and 'Mass in Service' on V5C form) is defined according to European Type Approval and include all fluids, tools and 90% fuel load. It is minimum mass for this variant and does not consider local specification/trim or deletable options (specific to Movano). Weights are also subject to manufacturing tolerances (EU Legislation allows 5% tolerance).

Gross Vehicle Weight (GVW)

The total permissible weight of a vehicle including payload and passengers, as shown on the manufacturer's plate.

Gross Combination Weight (GCW)

The maximum permissible weight of a vehicle, including payload and passengers, combined with the total weight of any trailer it is towing. The maximum GCW weight limit is quoted on the vehicle plate and must not be exceeded.

Payload

The total permissible weight that can be carried without exceeding the vehicle's plated weight. Payload do not include driver but do take into consideration specification/trim level:

Weights are also subject to manufacturing tolerances (EU Legislation allows 5% tolerance). Payload does not consider any additional options that a customer may order.

Roof loads

Combo roof load should not exceed 100kg including the weight of the roof rack/carrier.

- Vivaro roof load should not exceed 170kg including the weight of the roof rack/carrier
- Movano roof load should not exceed 200kg (150kg on H1 models) including the weight of the roof rack/carrier. H3 are not permitted to carry roof loads

Maximum towing weight

The maximum weight of any trailer and its load which may be towed within the limit of the vehicle's plated Gross Combination Weight (GCW). It is based on the ability of the vehicle – at full GCW – to restart on a 12% gradient, which is approximately 1 in 8.3, at sea level. At altitudes above 1500 metres, the engine output may drop with a corresponding reduction in towing capability. It is the operator's responsibility to ensure that the trailer noseweight does not cause the rear axle plated weight of the towing vehicle to be exceeded.

Always fit Vauxhall towing attachments and accessories available from your Vauxhall Commercial Vehicle Retailer. They are designed specifically for Vauxhall models and carry a 12-month warranty.

Light Duty and Heavy Duty cycles

For a Light Duty cycle (EC regulation 715/2007 with designation 'Euro 6') the emissions of the whole vehicle are evaluated whereas for Heavy Duty cycle (EC regulation 595/2009 with designation 'Euro VI') only the engine is bench tested. The requirement of which cycle is necessary is determined by the reference mass of the vehicle. In the case of Movano, reference mass calculations dictate that:

- N1 FWD and M1 FWD are approved as Light Duty
- N1 RWD, N2 RWD and M2 FWD are approved as Heavy Duty

Conversions

With Vivaro a new conversion portal is introduced. This significantly improves the transparency and response of all communication with body-builders, and converters:

www.converters-and-groupe-psa.com

This website contains complete technical guidelines necessary to convert Vauxhall commercial vehicles – New Combo (K9), New Vivaro (KO) and Movano (X62). All vital and fundamental information is now located in one place:

- Conversion Guidelines
- Technical Data
- 3D CAD (coming)
- WLTP guidance
- Body shell ordering

Additionally there is a new Q&A service for technical questions, and the new conversion approval process will also be managed through this portal.

Any converter of Vauxhall product should create an account on this portal including those using IVA as approval process. In fact WLTP will make this necessary.

GLOSSARY OF TERMS

Commercial Vehicle Categories

Differences between M1/N1 and M2/N2 (Vehicles with GVW above 3500kg)

Category M: Passenger carriers

Category M1: Vehicles designed and constructed for the carriage of passengers and comprising no more than eight seats in addition to the driver's seat.

Category M2: Vehicles designed and constructed for the carriage of passengers, comprising more than eight seats in addition to the driver's seat, and having a maximum mass not exceeding 5 tonnes.

Category N: Goods vehicles

Category N1: Vehicles designed and constructed for the carriage of goods and having a maximum mass not exceeding 3.5 tonnes.

Category N2: Vehicles designed and constructed for the carriage of goods and having a maximum mass exceeding 3.5 tonnes but not exceeding 12 tonnes.

Specific differences, all M2/N2 require the following:

Speed limiter: All M2/N2 vehicles are legally required to be speed limited. M2 to 62mph and N2 to 56mph.

Driver licence: Commercial vehicles with GVW greater than 3.5 tonnes have different license requirements. For any new drivers C1 category is necessary. Under some circumstances (social purposes for a non-commercial body) it is possible to drive a minibus without a D1 entitlement (Minibus) however eligibility for this exemption should be confirmed with DVSA.

Driver CPC: Driver Certificate of Professional Competence mandates 35 hours of periodic training every 5 years to maintain licence (from September 2014).

Tachograph: It is a legal requirement to administer the activities of drivers subject to the EU or AETR drivers' hours rules, and also record the vehicle's speed, distance and time. A Smart Card is required for digital tachograph and these are available from the DVLA. The tachograph of a new vehicle must be calibrated within two weeks of first registration.

Operator's Licence: This may also be required to ensure that vehicles are kept safe and in good condition at all times. Specifically for M2, PSV (public service vehicle) operator's licence is required. Exemptions in some circumstances may be permitted but this should always be confirmed with DVSA.

MOT Testing: M2/N2 must be tested each year, and vehicle presented with a completed Certificate of Conformity (CoC). This is available from Vauxhall (regdata@gm.com) or from converter in case of second-stage conversion.

Conversions – WLTP

There is a mandatory CO₂ target that comes into effect in 2020. There are specific targets for both cars and light commercial vehicles. With respect to LCVs, Vauxhall will be responsible for the CO₂ of complete converted vehicle, and defined Maxi-Pollutant Values must be respected.

These values are:

- Mass in Running Order (kg)
- Frontal Surface (m²)
- Rolling Resistance Coefficient of tyres (kg/t)
- Air Inlet Surface to cool the engine (dm²)

Conversion Guidelines; Maxi-Pollutant Values and links to CO₂ calculator can all be found on the converter portal at **www.converters-and-groupe-psa.com**

Second-stage conversions based on a Euro 6D TEMP engine cannot be registered unless they have passed the CO₂ calculator. If Maxi-Pollutant values are not followed, then CO₂ calculation will fail and converted vehicle cannot be registered. It would be necessary then to change the conversion.

FURTHER INFORMATION

Vauxhall on-the-road recommended retail prices (RRP)

To eliminate uncertainty about hidden costs incurred when buying a new commercial vehicle, Vauxhall publishes on-the-road prices and these are shown in the pricing tables within this price guide. The prices shown are manufacturer's recommended retail prices (RRP) unless otherwise stated, exclusive of VAT (currently at a rate of 20% which may be payable). These prices include the recommended cost of number plates, delivery to a Vauxhall Retailer of £583.33 (£700.00 including VAT), 12 months' Government Vehicle Excise Duty* and the DVLA new vehicle first registration fee of £55.00*.

Please note: The RRP does not include fuel supplied by the Retailer, motor insurance or any other goods or services supplied by agreement between the Retailer and customer.

Price protection for all Vauxhalls

Order a new Vauxhall for build in the current model year (as confirmed by your Retailer) for delivery no more than three months in advance and the price you are quoted is the price you pay. This is irrespective of any subsequent price rises between placing your order and delivery of your new commercial vehicle, but you must take delivery as soon as the commercial vehicle is available. Vauxhall Motors Limited is not liable for price adjustments caused by Government changes in the rate of VAT (currently 20%), Vehicle Excise Duty, DVLA new vehicle first registration fee or by any other applicable legislation or regulations.

In the event of an accident...

Vauxhall Accident Management helps keep you mobile following an accident. Benefits include vehicle recovery, Vauxhall-approved repairs and contacting your insurer. For more details, visit www.vauxhall.co.uk/AccidentManagement

Vehicle Excise Duty

The amount of Vehicle Excise Duty (road fund licence) payable on new commercial vehicles varies depending on gross vehicle weight (GVW) and European standard emissions compliance, as shown below*.

| | |
|------------------|---------|
| Up to 3500kg GVW | £260.00 |
| Over 3500kg GVW | £165.00 |

*Correct at time of publication.

Customer Care Commitment

For added peace of mind, Vauxhall has an innovative Customer Care Commitment** that offers the following:

- Three-year vehicle warranty consisting of a one-year/unlimited mileage manufacturer's warranty and a second and third year manufacturer's warranty with a 60,000 miles (Combo) and 100,000 miles (Vivaro and Movano) limitation
- Vauxhall Assistance for 12 months from first registration
- Five years' body panel anti-perforation warranty

**Warranty is only on vehicles sourced from Vauxhall Motors Limited. Terms and conditions apply – please see your Vauxhall Retailer for details.

Vauxhall Assistance

Vauxhall Assistance is provided automatically with every new Vauxhall Commercial Vehicle for 12 months from first registration and covers everything from accidents, mechanical breakdown to flat tyres. With Vauxhall Assistance help is literally just a free[†] phone call away, 24 hours a day, 365 days a year!

[†]Mobile phone users will be charged at their standard tariff.

Vauxhall Extended Warranty

For complete peace of mind Vauxhall offers an extended warranty that can be purchased on an annual basis following the expiry of the original new vehicle warranty. It covers most mechanical

and electrical components. Terms and conditions apply, for further details please contact your local Vauxhall Retailer.

Protecting the environment

Our products are increasingly winning environmental awards, both through the use of more recycled materials and by becoming cleaner and more efficient. For information on Vauxhall's efforts to achieve an environmentally sustainable future, including information on Design for Recycling, take-back of End-of-Life Vehicles (ELVs), and the recycling of ELVs, see www.vauxhall.co.uk/recycling

Van Business Centres

Keeping your van on the road. We know how important your van is to you, that's why we're geared up to minimise your downtime.

Our nationwide Van Business Centres provide fast, convenient value for money servicing, repairs and MOTs.

- All work is carried out by Vauxhall trained technicians using only genuine parts
- No appointments are required for diagnosis and we offer a 'while you wait' service

We have all the expertise required and will spare no effort to get you back in business as soon as possible.

Vauxhall Service Plan

Vauxhall Retailers offer a great service for owners of all Vauxhall vehicles. Value for money, regular offers and free check-ups, combined with the peace of mind that comes from using Vauxhall-trained technicians and genuine parts, help keep your vehicle in peak condition at all times. Every Vauxhall Retailer supports our customer promise:

We are Vauxhall experts

- Fully Vauxhall-trained technicians
- We use Vauxhall approved diagnostic equipment and specialist tools
- Full access to Vauxhall repair databases and technical centres

We are transparent

- Our invoicing will clearly set out the work at the price agreed with no hidden extras

We are never beaten on price

- We will match any written like for like service/repair quote from a local^{††} competitor using genuine repair methods and parts

We are convenient

- Flexible booking times to suit you
- 'One-stop shop' for every type of Vauxhall service
- While you wait facility on stocked tyres, batteries and exhausts
- Free courtesy vehicle or local collection with annual services and warranty work

We are thorough

- 25 point safety check with any workshop visit
- No obligation advice on essential and non-essential work
- Free check for safety enhancements and upgrades to your vehicle and software
- Free 'Wash and Vac' with every annual service
- Free fitting of wipers and external bulbs with annual services

^{††}A radius of five miles/20 minutes from your Vauxhall Retailer.

For more product information

For further information on the Vauxhall range or location of your nearest Vauxhall Retailer please call 0345 600 1500. Alternatively, details can be found on our website at www.vauxhall.co.uk

Take the next step:



Join us online:

Discover the full Vauxhall range at [vauxhall.co.uk](https://www.vauxhall.co.uk) >

Privacy Policy: For full details please visit [vauxhall.co.uk/privacy](https://www.vauxhall.co.uk/privacy)

The invoice price, including delivery to Retailer, factory-fitted options, accessories fitted by the Retailer and number plates, is subject to VAT. Some feature descriptions in this guide may refer to, and some illustrations may show, optional equipment not included in the standard delivery. The information contained in this guide was accurate at the time of publication. We reserve the right to make changes in design and equipment. Please note that Vauxhall Retailers are not the agents of Vauxhall Motors Limited and are not authorised to bind Vauxhall Motors Limited by any specific or implied undertaking or representation. It is advisable to ensure that your motor insurance policy provides adequate cover for additional fitted options and accessories. The colours in this guide are only approximate actual colours. Illustrated optional equipment is available at extra charge. Availability, technical features and equipment provided on our vehicles can vary by model. For precise information on the equipment provided on our vehicles, please contact your local Vauxhall Retailer.