

MY 2021/22



LCV Range

Price Guide

Price and Specification Guide
31 August 2021 | Model Year 2022A



Combo-e

Contents

To find the information you want use the links below to navigate around the guide:

[Choose Your Trim Level](#)

[Prices and Weights](#)

[Specifications](#)

[Range Highlights](#)

[Options](#)

[Glossary of Terms](#)

[Models](#)

[Exterior Colours](#)

[Further Information](#)

Choose Your Trim Level

Combo-e Dynamic



VX_COMV_e_31988

First up is the Combo-e Dynamic, loaded with features and future-proofed technology to match.

Combo-e Sportive



VX_COMV_e_31881

The Combo-e Sportive is a fully-electric van with an edge, offering low running costs and even more practicality.

Combo-e Range Highlights

Dynamic

Standard features include:

- Radio
 - AM/FM/DAB digital radio
 - Bluetooth®
 - USB connection
- Four speakers
- Vauxhall Connect
- Air conditioning
- 16-inch steel wheels with centre caps
- Cruise control with speed limiter
- Steering column adjustable for reach and rake
- Electrically adjustable/heated door mirrors
- Electrically operated front windows
- Nearside sliding side-access door (L1 models only)
- Nearside and offside sliding side-access doors (L2 models only)
- Twin solid rear doors
- Rear parking distance sensors
- Remote control security alarm system
- Emergency tyre inflation kit
- Side-protection mouldings
- Driver's airbag
- Electronic stability programme with traction control
- Anti-lock braking system
- Hill start assist

- Full-height steel bulkhead
- Daytime running lights
- Automatic lighting control
- Remote control central deadlocking
- Steering wheel mounted audio controls
- Engine deadlock immobiliser
- Electronically protected audio equipment
- Full-width overhead storage shelf
- Height-adjustable driver's seat with manual lumbar adjustment
- Four-way adjustable passenger's seat with underseat storage
- Driver's top-lidded glovebox

Crew Van Dynamic

Additionally feature:

- Two-position moveable ladder frame bulkhead
- Three-seat second-row bench
- Rear lap and diagonal inertia-reel seatbelts
- Nearside and offside sliding side-access doors
- Front passenger's airbag
- Driver and front passenger's side-impact airbags

Sportive

Features over Dynamic models:

- Multimedia audio system
 - 8-inch colour touchscreen
- FlexCargo Pack
 - Dual front passengers' fixed bench seat
 - Fold-flat centre seat backrest with table
 - Two-way foldable outer seat
 - Load-through bulkhead
- Electronic parking brake
- Body-colour door mirrors
- Body-colour front and rear bumpers
- Metallic paint
- 16-inch steel wheels with full-diameter wheel trims
- Front fog lights

Combo-e Dynamic



VX_COMV_e_31985

Dynamic OTR £25,238.33*

Infotainment:

- Radio
 - AM/FM/DAB digital radio
 - Bluetooth®
 - USB connection
- Four speakers
- Vauxhall Connect

Interior convenience/styling:

- Steering column adjustable for reach and rake
- Full-width overhead storage shelf
- Air conditioning
- Driver's top-lidded glovebox
- Cruise control with speed limiter
- Steering wheel mounted audio controls
- Six-way adjustable driver's seat with manual lumbar adjustment and armrest
- Four-way adjustable front passenger's seat with underseat storage

Exterior convenience/styling:

- Electrically adjustable/heated door mirrors
- Electrically operated front windows with one-touch facility
- Nearside sliding side-access door
- Twin solid rear doors
- Rear parking distance sensors
- Emergency tyre inflation kit
- Side-protection mouldings
- 16-inch steel wheels with centre caps

Safety/security:

- Driver's airbag
- Height-adjustable front lap and diagonal inertia-reel seatbelts
- Electronic stability programme with traction control
- Anti-lock braking system
- Full-height steel bulkhead
- Hill start assist
- Daytime running lights
- Remote control central deadlocking
- Engine deadlock immobiliser
- Electronically protected audio equipment
- Remote control security alarm system

Automatic models additionally feature:

- Leather-covered steering wheel
- Safety Pack
- Sight and Light Pack
- Keyless entry and start
- Front passenger's airbag

Crew Van OTR £28,218.33*

Additionally feature:

- Four-way adjustable, folding front passenger's seat
- Three-seat second-row bench
- Vinyl load floor covering
- Nearside and offside sliding side-access doors
- Rear lap and diagonal seatbelts
- Two-position moveable ladder frame bulkhead
- Front passenger's airbag
- Driver and front passenger's side-impact airbags

*Price shown is after allowing for PiVG (Plug-in Van Grant) and excludes VAT.

Combo-e Sportive



VX_COMV_e_31987

Sportive

OTR £26,278.33*

Infotainment:

- Multimedia system
 - 8-inch colour touchscreen
 - AM/FM/DAB digital radio
 - Bluetooth®
 - USB connection
- Four speakers
- Vauxhall Connect

Interior convenience/styling:

- Air conditioning
- Driver's top-lidded glovebox
- Six-way adjustable driver's seat with manual lumbar adjustment and armrest
- Full-width overhead storage shelf
- Cruise control with speed limiter
- Steering wheel mounted audio controls
- Steering column adjustable for reach and rake
- FlexCargo Pack
 - Dual front passengers' fixed bench seat
 - Fold-flat centre seat backrest with table
 - Two-way foldable outer seat
 - Load-through bulkhead
 - Electronic parking brake

Exterior convenience/styling:

- Electrically adjustable/heated door mirrors
- Electrically operated front windows with one-touch facility
- Front fog lights
- Nearside sliding side-access door
- Rear parking distance sensors
- Body-colour door mirrors
- Body-colour front and rear bumpers
- Twin solid rear doors
- Metallic paint
- 16-inch steel wheels with full-diameter wheel trims
- Emergency tyre inflation kit

Safety/security:

- Driver's airbag
- Height-adjustable front lap and diagonal inertia-reel seatbelts
- Electronic stability programme with traction control
- Anti-lock braking system
- Hill start assist
- Daytime running lights
- Remote control central deadlocking
- Remote control security alarm system
- Engine deadlock immobiliser
- Electronically protected audio equipment

*Price shown is after allowing for PiVG (Plug-in Van Grant) and excludes VAT.

New Combo-e Panel Van Prices/Weights*

| | Model/ Pack Code | Orderable Option Code | Minimum Mass (kg)** | Maximum indicative payload (kg)** | Gross Vehicle Weights (GVW) (kg) | Plated weights (kg) | | Towing weights (kg) Braked | Plated Gross Combination Weights (GCW) (kg) | Price (£) exc. VAT | On-the-road RRP before PiVG (£) exc. VAT | On-the-road RRP after PiVG (£) exc. VAT |
|---|---------------------|--------------------------|------------------------|--|--|---------------------|--------------|----------------------------------|--|-----------------------|---|--|
| | | | | | | Front axle | Rear axle | | | | | |
| L1 Dynamic Panel Van | | | | | | | | | | | | |
| 2300 100kw (136PS) auto – 50kWh battery | DA05 9EQ1 | XIAA | 1590 | 800 | 2300 | 1200 | 1400 | 750 | 3140 | 27,600.00 | 28,238.33 | 25,238.33 |
| L2 Dynamic Panel Van | | | | | | | | | | | | |
| 2300 100kw (136PS) auto – 50kWh battery | DA05 9EQ1 | XIAD | 1632 | 753 | 2300 | 1200 | 1400 | 750 | 3135 | 28,800.00 | 29,438.33 | 26,438.33 |
| L1 Sportive Panel Van | | | | | | | | | | | | |
| 2300 100kw (136PS) auto – 50kWh battery | DC05 9EQ1 | XIAA | 1610 | 800 | 2300 | 1200 | 1400 | 750 | 3160 | 28,640.00 | 29,278.33 | 26,278.33 |
| L2 Sportive Panel Van | | | | | | | | | | | | |
| 2300 100kw (136PS) auto – 50kWh battery | DC05 9EQ1 | XIAD | 1647 | 753 | 2300 | 1200 | 1400 | 750 | 3150 | 29,840.00 | 30,478.33 | 27,478.33 |
| L2 Dynamic Crew Van | | | | | | | | | | | | |
| 2300 100kw (136PS) auto – 50kWh battery | DHC5 9EQ1 | XIAD | 1729 | 721 | 2300 | 1200 | 1400 | 750 | 3200 | 30,580.00 | 31,218.33 | 28,218.33 |

Please note: On-the-road recommended retail prices (RRP) include number plates and delivery to Retailer of £583.33 exc. VAT (£700.00 inc. VAT) and new vehicle first registration fee of £55.00 (correct at time of publication). Excludes fuel and insurance. Price has been calculated using manufacturer estimates and includes an OZEV grant of up to £3,000.00 which has been deducted from the price of the vehicle (OZEV Grant not available in the Isle of Man). The grant is a government incentive and is subject to withdrawal prior to delivery of your vehicle. Retailers may be required to carry out more than one credit check during the course of the order process. You may be required to place a deposit when placing your order with your supplying Retailer. In the event of a price change, deposit refunds will be governed by your supplying Retailer's policy and as such must be discussed with the supplying Retailer.

Gross plated weights (including axle weights) quoted on the vehicle plate are to UK plated weight specification and must never be exceeded.

*Provisional data. **Minimum Mass for standard vehicles will vary according to the vehicle specification (including trim, options and accessories) with a corresponding variation in payload.

Combo-e is not covered by our Price Protection Guarantee. See 'Further Information' page for details.

Options

Model Specific Options

| | Option code* | Dynamic | Sportive | Dynamic Crew Van |
|---|--------------|---------|----------|------------------|
| Load Area | | | | |
| Plywood load floor covering | CRJ | £180 | £180 | |
| Vinyl load floor covering | CRK | £60 | £60 | |
| LED illuminated load area | 8G8 | £200 | £200 | |
| Twin glazed rear doors | J1X | £160 | £160 | £160 |
| Nearside and offside sliding side-access doors | CVM | £220 | £220 | ● |
| Fixed window in nearside sliding side-access door/Fixed window in opposite panel | BSB | £320 | £320 | |
| Offside sliding side-access door/Fixed window in nearside sliding side-access door/ Fixed window in offside sliding side-access door | BSA | £540 | £540 | |
| Driver Assistance | | | | |
| Front and rear parking distance sensors | UD5 | £400 | £400 | |
| Surround rear vision | UL3 | £500 | £500 | |
| Rear-view camera | UVC | £250 | £250 | |
| 11kW three-phase on-board charger | K29 | £300 | £300 | £300 |
| Convenience | | | | |
| 230-volt electrical accessory socket – In lieu of passenger side 12-volt electrical accessory socket | KI5 | | £100 | |
| Dual-zone electronic climate control – Requires Sight and Light Pack | CJ2 | | £200 | |
| Exterior | | | | |
| Front fog lights | T3U | £125 | ● | £125 |
| Roof rails | E2R | | £125 | |

*Optional at extra cost excluding VAT.

Options

Model Specific Options

| | Option code* | Dynamic | Sportive | Dynamic Crew Van |
|---|--------------|---------|----------|------------------|
| Safety | | | | |
| Tyre pressure monitoring system | UJO | £185 | £185 | £185 |
| Front passenger's airbag | AK5 | £120 | £120 | |
| Driver and front passenger's side-impact airbags | AJ7 | £490 | £490 | ● |
| Driver and front passenger's side-impact and curtain airbags | AKB | £490 | £490 | |
| Overload indicator | J89 | £260 | £260 | |
| Full-height steel bulkhead with window | AX9 | £175 | | |
| Infotainment | | | | |
| Multimedia | IO5 | £400 | ● | £400 |
| Multimedia Navi Pro system | IO6 | £550 | £150 | £550 |
| Head-up display | UV6 | | £300 | |
| Wheels and Tyres | | | | |
| 16-inch steel spare wheel – In lieu of emergency tyre inflation kit | RU9 | No-cost | No-cost | No-cost |
| Packs | | | | |
| Sight and Light Pack | CWX | | £175 | |
| Construction Pack with IntelliGrip | HMG | £930 | | £930 |
| Safety Pack with leather-covered steering wheel | B26/N35 | £805 | £805 | £805 |
| FlexCargo Pack | AYW | £612 | ● | |
| FlexCargo Glazed Pack | AYV | £690 | £80 | |

*Optional at extra cost excluding VAT.

Exterior Colours

Jade White (G20)*
Solid paint



VX_COMV_28902

Moonstone Grey (G40)**
Two-coat metallic paint £475



VX_COMV_28900

Quartz Silver (G41)**
Two-coat metallic paint £475



VX_COMV_28906

Pearl Black (G70)**
Two-coat metallic paint £475



VX_COMV_28905

Combo-e Specifications*

Single-speed electronic drive selector

As the motor is an all-electric single-speed drive unit, there is no need for multiple gears. Instead, the shifter lets the driver select from the following:

- Park
- Reverse
- Neutral
- Drive
- Braking (for increased regenerative braking)

Drive Mode Selector

The driver can determine the driving style through selecting one of the following modes:

- **Power:** with high power reserves for the highest top speed and torque. Recommended at full capacity.
- **Normal:** for a balanced drive that offers a compromise between performance and energy efficiency. WLTP range is validated in this mode.
- **ECO:** for maximum range and energy efficiency. The ECO mode deactivates all unnecessary energy-consuming features and reduces the top speed, torque and overall performance.

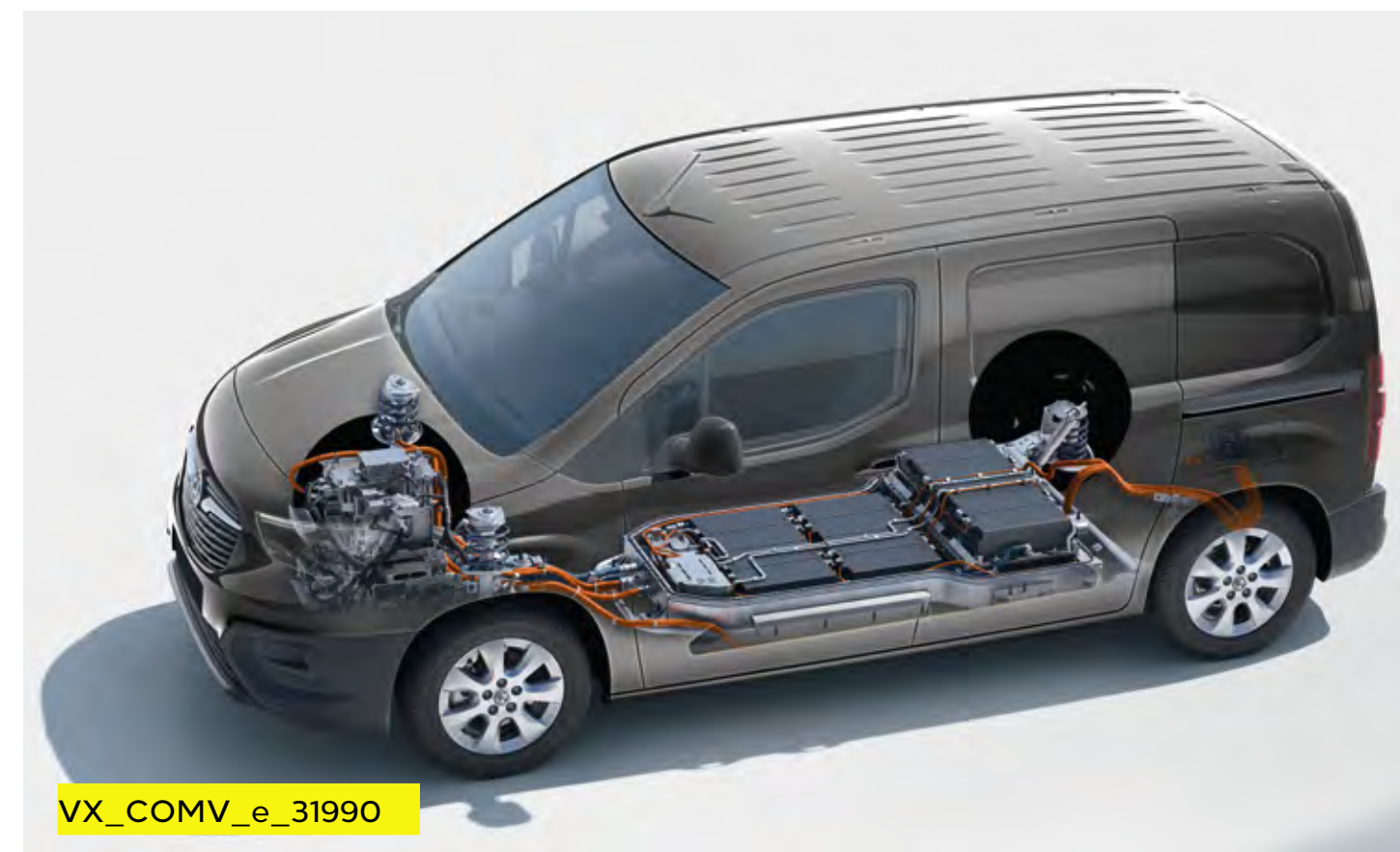
Braking

Energy recuperation

The regenerative braking system works when the vehicle is in motion, energy created by the resistance of the brakes against the drivetrain is converted into DC voltage to partially recharge the battery. The driver can also engage braking mode through the drive selector to increase the level of energy recuperation.

Single foot driving experience

The system not only utilises the energy when the brakes are being used, but also engages when the vehicle is coasting, recovering more energy and enabling single foot driving as the brakes automatically engage when the throttle pedal is released.



VX_COMV_e_31990

| Drivetrain | Combo-e |
|----------------------------|--|
| CO ₂ emissions | 0g/km |
| Maximum power kW/PS | 100/136 |
| Maximum torque Nm/lb. ft. | 260/192 |
| Acceleration 0-62mph (sec) | 11.7 |
| Maximum speed mph | 84 |
| Transmission | Automatic electric drive with fixed gear ratio |
| Service interval | Every 25,000 miles or 2 years (whichever comes sooner). Initial inspection at 12,500 miles or 1 year (whichever comes sooner) |

The Combo-e is a battery electric vehicle requiring mains electricity for charging. Range data given has been determined according to WLTP test procedure methodology. The figures shown are intended for comparability purposes only and should only be compared to other cars tested to the same technical standard. The range you achieve under real world driving conditions will depend upon a number of factors, including but not limited to: the accessories fitted (pre and post registration); charging frequency; personal driving style; vehicle load and route characteristics; variations in weather; heating/air conditioning; pre-conditioning and battery condition. For more information, contact your local Vauxhall Retailer.

*Provisional data.

Combo-e Specifications*

Charging

Combo-e comes fitted with an 7.4kW on-board charger and mode 3 cable. An 11kW on-board charger is available as an extra cost option.

The charging flap's Padlock LED lights up when the cable is correctly plugged in and locked and then acts as a user interface to show the charging status via coloured LED lights:

- **White:** welcome light that helps to light up the area, especially useful in dark conditions
- **Flashing green:** charging in progress
- **Solid green:** charging complete
- **Solid blue:** delayed charging toggled; changes to flashing green when charging commences
- **Solid red:** malfunction

The driver may also choose from two settings:

- **Immediate charging (the standard setting):** Starts charging as soon as the vehicle is docked for charging
- **Delayed charging:** This is especially useful for when cheaper electric rates are desired, e.g. charging at night. Simply enter a charging start time.

Please note, EV range assumes that vehicle has been pre-conditioned prior to journey. This function can be accessed either via MyVauxhall App (standard with all Combo-e models or with optional Navi Pro).

| Charging | | | | |
|----------------------|------------|-------------------|----------------------------------|---------------------------------|
| Supply | AC Current | | DC Current | |
| | | Domestic 13amp | Wallbox 32amp Single-phase | Wallbox 16amp Three-phase |
| | 1.8kWh | 7.4kWh | 11.kWh [†] | 100kWh |
| 50kWh battery | 31h | 7h 30m | 5h | 30m |

| Battery | 7.4kW on-board charger |
|--|------------------------------------|
| Battery energy kWh | 50 |
| EV range (WLTP high) | 171 miles |
| Battery consumption (Combined low/high) | 17.5-19.4kWh/100km |
| Battery warranty | 8 years/100,000 miles/70% capacity |



The Combo-e is a battery electric vehicle requiring mains electricity for charging. Range data given has been determined according to WLTP test procedure methodology. The figures shown are intended for comparability purposes only and should only be compared to other cars tested to the same technical standard. The range you achieve under real world driving conditions will depend upon a number of factors, including but not limited to: the accessories fitted (pre and post registration); charging frequency; personal driving style; vehicle load and route characteristics; variations in weather; heating/air conditioning; pre-conditioning and battery condition. For more information, contact your local Vauxhall Retailer.

*Provisional data. **You can obtain 15-80% of the vehicle charge in 30 minutes from a 100kW rapid charging station. You can obtain 15-80% of the vehicle charge in 45 minutes from a 50kW rapid charging station. Rapid charging stations are widely available across the UK at various locations and their power rating varies, typically from 50kW and sometimes up to 350kW. The charging time may vary according to the type and power of the charging station, the outside temperature at the charging point and the battery temperature. [†]With optional 11kW on-board charger.

Glossary of Terms

Plated weight

The maximum weight to which a vehicle or an axle may be loaded, determined either by the design of the components or by legislation. All commercial vehicles must carry a manufacturer's 'plate' showing the vehicle and axle gross 'plated weights'. It is an offence to drive a vehicle in a condition where any of these weights are exceeded.

Minimum Mass

Minimum Mass ('Mass in running order' on Certificate of Conformity and 'Mass in Service' on V5C form) is defined according to European Type Approval and include all fluids, tools and 90% fuel load. It is minimum mass for this variant and does not consider local specification/trim or deletable options (specific to Movano). Weights are also subject to manufacturing tolerances (EU Legislation allows 5% tolerance).

Gross Vehicle Weight (GVW)

The total permissible weight of a vehicle including payload and passengers, as shown on the manufacturer's plate.

Gross Combination Weight (GCW)

The maximum permissible weight of a vehicle, including payload and passengers, combined with the total weight of any trailer it is towing. The maximum GCW weight limit is quoted on the vehicle plate and must not be exceeded.

Payload

The total permissible weight that can be carried without exceeding the vehicle's plated weight. Payload do not include driver but do take into consideration specification/trim level:

Weights are also subject to manufacturing tolerances (EU Legislation allows 5% tolerance). Payload does not consider any additional options that a customer may order.

Roof loads

- Combo roof load should not exceed 100kg including the weight of the roof rack/carrier

Maximum towing weight

The maximum weight of any trailer and its load which may be towed within the limit of the vehicle's plated Gross Combination Weight (GCW). It is based on the ability of the vehicle – at full GCW – to restart on a 12% gradient, which is approximately 1 in 8.3, at sea level. At altitudes above 1500 metres, the engine output may drop with a corresponding reduction in towing capability. It is the operator's responsibility to ensure that the trailer noseweight does not cause the rear axle plated weight of the towing vehicle to be exceeded.

Always fit Vauxhall towing attachments and accessories available from your Vauxhall Commercial Vehicle Retailer. They are designed specifically for Vauxhall models and carry a 12-month warranty.

Conversions

A new conversion portal has been introduced. This significantly improves the transparency and response of all communication with body-builders, and converters: converters-and-groupe-psa.com This website contains complete technical guidelines necessary to convert Vauxhall commercial vehicles – Combo (K9), Vivaro (K0) and Movano (X62). All vital and fundamental information is now located in one place:

- Conversion Guidelines
- Technical Data
- 3D CAD (coming)
- WLTP guidance
- Body shell ordering

Additionally there is a new Q&A service for technical questions, and the new conversion approval process will also be managed through this portal.

Any converter of Vauxhall product should create an account on this portal including those using IVA as approval process. In fact WLTP will make this necessary.

Commercial Vehicle Categories

Differences between M1/N1 and M2/N2 (Vehicles with GVW above 3500kg)

Category M: Passenger carriers

Category M1: Vehicles designed and constructed for the carriage of passengers and comprising no more than eight seats in addition to the driver's seat.

Category M2: Vehicles designed and constructed for the carriage of passengers, comprising more than eight seats in addition to the driver's seat, and having a maximum mass not exceeding 5 tonnes.

Category N: Goods vehicles

Category N1: Vehicles designed and constructed for the carriage of goods and having a maximum mass not exceeding 3.5 tonnes.

Category N2: Vehicles designed and constructed for the carriage of goods and having a maximum mass exceeding 3.5 tonnes but not exceeding 12 tonnes.

Specific differences, all M2/N2 require the following:

Speed limiter: All M2/N2 vehicles are legally required to be speed limited. M2 to 62mph and N2 to 56mph.

Glossary of Terms

Driver licence: Commercial vehicles with GVW greater than 3.5 tonnes have different license requirements. For any new drivers C1 category is necessary. Under some circumstances (social purposes for a non-commercial body) it is possible to drive a minibus without a D1 entitlement (Minibus) however eligibility for this exemption should be confirmed with DVSA.

Driver CPC: Driver Certificate of Professional Competence mandates 35 hours of periodic training every 5 years to maintain licence (from September 2014).

Tachograph: It is a legal requirement to administer the activities of drivers subject to the EU or AETR drivers' hours rules, and also record the vehicle's speed, distance and time. A Smart Card is required for digital tachograph and these are available from the DVLA. The tachograph of a new vehicle must be calibrated within two weeks of first registration.

Operator's Licence: This may also be required to ensure that vehicles are kept safe and in good condition at all times. Specifically for M2, PSV (public service vehicle) operator's licence is required. Exemptions in some circumstances may be permitted but this should always be confirmed with DVSA.

MOT Testing: M2/N2 must be tested each year, and vehicle presented with a completed Certificate of Conformity (CoC). This is available from Vauxhall (regdata@gm.com) or from converter in case of second-stage conversion.

Conversions – WLTP

There is a mandatory CO₂ target that comes into effect in 2020. There are specific targets for both cars and light commercial vehicles. With respect to LCVs, Vauxhall will be responsible for the CO₂ of complete converted vehicle, and defined Maxi-Pollutant Values must be respected.

These values are:

- Mass in Running Order (kg)
- Frontal Surface (m²)
- Rolling Resistance Coefficient of tyres (kg/t)
- Air Inlet Surface to cool the engine (dm²)

Conversion Guidelines; Maxi-Pollutant Values and links to CO₂ calculator can all be found on the converter portal at converters-and-groupe-psa.com

Second-stage conversions based on a Euro 6D TEMP engine cannot be registered unless they have passed the CO₂ calculator. If Maxi-Pollutant values are not followed, then CO₂ calculation will fail and converted vehicle cannot be registered. It would be necessary then to change the conversion.

Further Information

Vauxhall on-the-road recommended retail prices (RRP)

To eliminate uncertainty about hidden costs incurred when buying a new commercial vehicle, Vauxhall publishes on-the-road prices and these are shown in the pricing tables within this price guide. The prices shown are manufacturer's recommended retail prices (RRP) unless otherwise stated, exclusive of VAT (currently at a rate of 20% which may be payable). These prices include the recommended cost of number plates, delivery to a Vauxhall Retailer of £583.33 (£700.00 including VAT), 12 months' Government Vehicle Excise Duty* and the DVLA new vehicle first registration fee of £55.00*.

Please note: The RRP does not include fuel supplied by the Retailer, motor insurance or any other goods or services supplied by agreement between the Retailer and customer.

Price protection

Order a new Vauxhall for build in the current model year (as confirmed by your Retailer) for delivery no more than three months in advance and the price you are quoted is the price you pay. This is irrespective of any subsequent price rises between placing your order and delivery of your new car, but you must take delivery as soon as the car is available.

Please note: Price protection does not apply to electric/hybrid models. Vauxhall Motors Limited is not liable for price adjustments caused by Government changes in the rate of VAT (currently 20%), Vehicle Excise Duty, DVLA new vehicle first registration fee or by any other applicable legislation or regulations.

In the event of an accident...

Vauxhall Accident Management helps keep you mobile following an accident. Benefits include vehicle recovery, Vauxhall-approved repairs and contacting your insurer. For more details, visit vauxhall.co.uk/AccidentManagement

Vehicle Excise Duty

The amount of Vehicle Excise Duty (road fund licence) payable on new commercial vehicles varies depending on gross vehicle weight (GVW) and European standard emissions compliance, as shown below*.

| | |
|------------------|---------|
| Up to 3500kg GVW | £275.00 |
| Over 3500kg GVW | £165.00 |

*Correct at time of publication.

Customer Care Commitment

For added peace of mind, Vauxhall has an innovative Customer Care Commitment** that offers the following:

- Three-year vehicle warranty consisting of a one-year/unlimited mileage manufacturer's warranty and a second and third year manufacturer's warranty with a 60,000 miles limitation
- Vauxhall Assistance for 12 months from first registration
- Five years' body panel anti-perforation warranty

**Warranty is only on vehicles sourced from Vauxhall Motors Limited. Terms and conditions apply – please see your Vauxhall Retailer for details.

Vauxhall Assistance

Vauxhall Assistance is provided Automatically with every new Vauxhall Commercial Vehicle for 12 months from first registration and covers everything from accidents, mechanical breakdown to flat tyres. With Vauxhall Assistance help is literally just a free[†] phone call away, 24 hours a day, 365 days a year!

[†]Mobile phone users will be charged at their standard tariff.

Vauxhall Extended Warranty

For complete peace of mind Vauxhall offers an extended warranty that can be purchased on an annual basis following the expiry of the original new vehicle warranty. It covers most mechanical

and electrical components. Terms and conditions apply, for further details please contact your local Vauxhall Retailer.

Protecting the environment

Our products are increasingly winning environmental awards, both through the use of more recycled materials and by becoming cleaner and more efficient. For information on Vauxhall's efforts to achieve an environmentally sustainable future, including information on Design for Recycling, take-back of End-of-Life Vehicles (ELVs), and the recycling of ELVs, see vauxhall.co.uk/recycling

Van Business Centres

Keeping your van on the road. We know how important your van is to you, that's why we're geared up to minimise your downtime.

Our nationwide Van Business Centres provide fast, convenient value for money servicing, repairs and MOTs.

- All work is carried out by Vauxhall trained technicians using only genuine parts
- No appointments are required for diagnosis and we offer a 'while you wait' service

We have all the expertise required and will spare no effort to get you back in business as soon as possible.

Vauxhall Service Plan

Vauxhall Retailers offer a great service for owners of all Vauxhall vehicles. Value for money, regular offers and free check-ups, combined with the peace of mind that comes from using Vauxhall-trained technicians and genuine parts, help keep your vehicle in peak condition at all times. Every Vauxhall Retailer supports our customer promise:

We are Vauxhall experts

- Fully Vauxhall-trained technicians
- We use Vauxhall approved diagnostic equipment and specialist tools
- Full access to Vauxhall repair databases and technical centres

We are transparent

- Our invoicing will clearly set out the work at the price agreed with no hidden extras

We are never beaten on price

- We will match any written like for like service/repair quote from a local^{††} competitor using genuine repair methods and parts

We are convenient

- Flexible booking times to suit you
- 'One-stop shop' for every type of Vauxhall service
- While you wait facility on stocked tyres, batteries and exhausts
- Free courtesy vehicle or local collection with annual services and warranty work

We are thorough

- 25 point safety check with any workshop visit
- No obligation advice on essential and non-essential work
- Free check for safety enhancements and upgrades to your vehicle and software
- Free 'Wash and Vac' with every annual service
- Free fitting of wipers and external bulbs with annual services

^{††}A radius of five miles/20 minutes from your Vauxhall Retailer.

For more product information

For further information on the Vauxhall range or location of your nearest Vauxhall Retailer please call **0345 600 1500**. Alternatively, details can be found on our website at vauxhall.co.uk

For more information call **0345 600 1500**

Discover the full Vauxhall range at **[vauxhall.co.uk](https://www.vauxhall.co.uk)**

Join us online

The invoice price, including delivery to Retailer, factory-fitted options, accessories fitted by the Retailer and number plates, is subject to VAT. Some feature descriptions in this guide may refer to, and some illustrations may show, optional equipment not included in the standard delivery. The information contained in this guide was accurate at the time of publication. We reserve the right to make changes in design and equipment. Please note that Vauxhall Retailers are not the agents of Vauxhall Motors Limited and are not authorised to bind Vauxhall Motors Limited by any specific or implied undertaking or representation. It is advisable to ensure that your motor insurance policy provides adequate cover for additional fitted options and accessories. The colours in this guide are only approximate actual colours. Illustrated optional equipment is available at extra charge. Availability, technical features and equipment provided on our vehicles can vary by model. For precise information on the equipment provided on our vehicles, please contact your local Vauxhall Retailer.

VAUXHALL

Price and Specification Guide
7 July 2021 | Model Year 2021D



Combo

CONTENTS

To find the information you want use the links below to navigate around the guide:

[Range Highlights](#)

[Models](#)

[Prices and Weights](#)

[Fuel Economy and Emissions](#)

[Features and Options](#)

[Exterior Colours](#)

[Wheels and Tyres](#)

[Specifications](#)

[Dimensions and Capacities](#)

[Accessories](#)

[Glossary of Terms](#)

[Further Information](#)

COMBO RANGE HIGHLIGHTS



VX_COMV_29785

EDITION OTR from £18,958.33*

Standard features include:

Infotainment:

- AM/FM/DAB digital radio, Bluetooth® audio streaming, Bluetooth® mobile phone portal, USB audio connection with 3.5-inch display
- Vauxhall Connect

Interior convenience/styling:

- Steering column adjustable for reach and rake

Exterior convenience/styling:

- Electrically adjustable/heated door mirrors
- Electrically operated front windows
- Nearside sliding side-access door – L1 models
- Nearside and offside sliding side-access doors – L2 models
- Twin solid rear doors
- Emergency tyre inflation kit
- Side-protection mouldings

Safety/security:

- Driver's airbag
- Anti-lock braking system
- Hill start assist
- Full-height steel bulkhead
- Daytime running lights
- Automatic lighting control
- Remote control central deadlocking
- Keyless entry and start – standard on Automatic models
- Engine deadlock immobiliser
- Electronically protected audio equipment



VX_COMV_28900

DYNAMIC OTR from £19,958.33*

Features over Edition:

Interior convenience/styling:

- Steering wheel mounted audio controls
- Air conditioning
- Driver's top-lidded glovebox
- Height-adjustable driver's seat with manual lumbar adjustment
- Electronic cruise control

Exterior convenience/styling:

- Rear parking distance sensors

Security:

- Remote control security alarm system

Crew Van (Edition and Sportive) models additionally feature:

- Two-position moveable ladder frame bulkhead
- Three-seat second-row bench
- Lap and diagonal inertia-reel seatbelts
- Nearside and offside sliding side-access doors
- Driver and front passenger's side-impact airbags

4x4 (Edition) models additionally feature:**

- Selectable 4x4 drive system with viscous-coupling
- ECO front-wheel drive mode
- Increased ground clearance 185mm
- Underbody protection for engine, gearbox and fuel tank



VX_COMV_28911

SPORTIVE OTR from £21,033.33*

Features over Edition:

Infotainment:

- Multimedia audio system – 8-inch colour touchscreen

Interior convenience/styling:

- Steering wheel mounted audio controls
- Air conditioning
- Driver's top-lidded glovebox
- Height-adjustable driver's seat with manual lumbar adjustment
- Dual front passengers' fixed bench seat
- Electronic cruise control
- Electric parking brake
- FlexCargo bulkhead

Exterior convenience/styling:

- Rear parking distance sensors
- Body-colour front and rear bumpers
- Metallic paint
- 16-inch steel wheels with full-diameter wheel trims
- Front fog lights

Security:

- Remote control security alarm system



VX_COMV_31845

GRIFFIN OTR £16,558.33*

Features over Sportive:

Interior convenience/styling:

- Sight and Light Pack

Exterior convenience/styling:

- 16-inch alloy wheels



VX_COMV_32016

ELITE OTR from £24,208.33*

Features over Sportive:

Infotainment:

- Multimedia Navi Pro – Satellite navigation system

Interior convenience/styling:

- Sight and Light Pack
- Vinyl load floor covering
- Surround rear vision

Exterior convenience/styling:

- 16-inch alloy wheels
- Front and rear parking distance sensors
- Tyre pressure monitoring system
- Body-colour door handles and sliding side-access door rail cover

*OTR price excluding VAT. **For specific warranty details see Combo 4x4 prices page.

EDITION



VX_COMV_29785

L1 PANEL VAN ON-THE-ROAD PRICES

| EURO 6D TEMP (6.2) | OTR RRP exc. VAT | Insurance Group |
|---|---------------------|--------------------|
| Diesel | | |
| 2000 1.5 (75PS) Turbo D | £18,958.33 | 30A |
| 2000 1.5 (100PS) Turbo D | £19,483.33 | 30A |
| 2300 1.5 (100PS) Turbo D | £19,833.33 | 30A |
| 2300 1.5 (130PS) Turbo D Start/Stop | £20,483.33 | 31A |
| 2300 1.5 (130PS) Turbo D Start/Stop Automatic | £22,433.33 | 32A |
| 2300 1.5 (130PS) Turbo D Start/Stop 4x4* | £36,638.33 | 36A |

L2 PANEL VAN ON-THE-ROAD PRICES

| EURO 6D TEMP (6.2) | OTR RRP exc. VAT | Insurance Group |
|---|---------------------|--------------------|
| Diesel | | |
| 2300 1.5 (100PS) Turbo D | £21,033.33 | 30A |
| 2300 1.5 (130PS) Turbo D Start/Stop Automatic | £23,633.33 | 30A |
| 2300 1.5 (130PS) Turbo D Start/Stop 4x4* | £37,838.33 | 34A |

Please note: On-the-road recommended retail prices (RRP) include number plates and delivery to Retailer of £583.33, 12 months' Vehicle Excise Duty and new vehicle first registration fee of £55.00. Excludes fuel and insurance.

*For specific warranty details see Combo 4x4 prices page.

FEATURES

Infotainment:

- AM/FM/DAB digital radio
- Bluetooth® audio streaming
- Bluetooth® mobile phone portal
- USB audio connection
- Four speakers
- Vauxhall Connect

Interior convenience/styling:

- Steering column adjustable for reach and rake
- Full-width overhead storage shelf
- Four-way adjustable driver's seat
- Front passenger's seat with underseat storage

Exterior convenience/styling:

- Electrically adjustable/heated door mirrors
- Electrically operated front windows with one-touch facility
- Nearside sliding side-access door
- Twin solid rear doors
- Emergency tyre inflation kit
- Side-protection mouldings
- 15-inch steel wheels with centre caps (2000 models)
- 16-inch steel wheels with centre caps (2300 models)

Safety/security:

- Driver's airbag
- Height-adjustable front lap and diagonal inertia-reel seatbelts
- Electronic stability programme with traction control
- Anti-lock braking system
- Full-height steel bulkhead
- Hill start assist
- Daytime running lights
- Remote control central deadlocking
- Keyless entry and start – standard on Automatic models
- Engine deadlock immobiliser
- Electronically protected audio equipment

DYNAMIC



VX_COMV_28900

L1 PANEL VAN ON-THE-ROAD PRICES

| EURO 6D TEMP (6.2) | OTR RRP exc. VAT | Insurance Group |
|--------------------------|---------------------|--------------------|
| Diesel | | |
| 2000 1.5 (75PS) Turbo D | £19,958.33 | 29E |
| 2300 1.5 (100PS) Turbo D | £20,833.33 | 30E |

L2 PANEL VAN ON-THE-ROAD PRICES

| EURO 6D TEMP (6.2) | | |
|--------------------------|-------------------|-----|
| Diesel | | |
| 2300 1.5 (100PS) Turbo D | £22,033.33 | 31E |

Please note: On-the-road recommended retail prices (RRP) include number plates and delivery to Retailer of £583.33, 12 months' Vehicle Excise Duty and new vehicle first registration fee of £55.00. Excludes fuel and insurance.

FEATURES

Infotainment:

- AM/FM/DAB digital radio
- Bluetooth® audio streaming
- Bluetooth® mobile phone portal
- USB audio connection
- Four speakers
- Vauxhall Connect

Interior convenience/styling:

- Steering column adjustable for reach and rake
- Full-width overhead storage shelf
- Air conditioning
- Driver's top-lidded glovebox
- Electronic cruise control
- Steering wheel mounted audio controls
- Six-way adjustable driver's seat with manual lumbar adjustment and armrest

Exterior convenience/styling:

- Electrically adjustable/heated door mirrors
- Electrically operated front windows with one-touch facility
- Nearside sliding side-access door
- Twin solid rear doors
- Rear parking distance sensors
- Emergency tyre inflation kit
- Side-protection mouldings
- 15-inch steel wheels with centre caps (2000 models)
- 16-inch steel wheels with centre caps (2300 models)

Safety/security:

- Driver's airbag
- Height-adjustable front lap and diagonal inertia-reel seatbelts
- Electronic stability programme with traction control
- Anti-lock braking system
- Full-height steel bulkhead
- Hill start assist
- Daytime running lights
- Remote control central deadlocking
- Keyless entry and start – standard on Automatic models
- Engine deadlock immobiliser
- Electronically protected audio equipment
- Remote control security alarm system

SPORTIVE



VX_COMV_28911

L1 PANEL VAN ON-THE-ROAD PRICES

| EURO 6D TEMP (6.2) | OTR RRP exc. VAT | Insurance Group |
|---|---------------------|--------------------|
| Diesel | | |
| 2000 1.5 (75PS) Turbo D | £21,033.33 | 29E |
| 2000 1.5 (100PS) Turbo D | £21,558.33 | 30E |
| 2300 1.5 (100PS) Turbo D | £21,908.33 | 32E |
| 2300 1.5 (130PS) Turbo D Start/Stop | £22,558.33 | 33E |
| 2300 1.5 (130PS) Turbo D Start/Stop Automatic | £23,948.33 | 30E |

L2 PANEL VAN ON-THE-ROAD PRICES

| EURO 6D TEMP (6.2) | OTR RRP exc. VAT | Insurance Group |
|--------------------------|---------------------|--------------------|
| Diesel | | |
| 2300 1.5 (100PS) Turbo D | £23,108.33 | 29E |

Please note: On-the-road recommended retail prices (RRP) include number plates and delivery to Retailer of £583.33, 12 months' Vehicle Excise Duty and new vehicle first registration fee of £55.00. Excludes fuel and insurance.

FEATURES

Infotainment:

- Multimedia audio system
 - 8-inch colour touchscreen
 - AM/FM/DAB digital radio
 - Bluetooth® audio streaming
 - Bluetooth® mobile phone portal
 - USB audio connection
 - Four speakers
- Vauxhall Connect

Interior convenience/styling:

- Air conditioning
- Driver's top-lidded glovebox
- Six-way adjustable driver's seat with manual lumbar adjustment and armrest
- Four-way adjustable front passenger's seat (Auto only)
- Dual front passengers' fixed bench seat (Manual only)
- Full-width overhead storage shelf
- Electronic cruise control
- Steering wheel mounted audio controls
- Steering column adjustable for reach and rake
- FlexCargo – Manual models only
 - Fold-flat centre seat backrest with table
 - Two-way foldable outer seat
 - Load-through bulkhead
 - Electric parking brake

Exterior convenience/styling:

- Electrically adjustable/heated door mirrors
- Electrically operated front windows with one-touch facility
- Front fog lights
- Nearside sliding side-access door
- Rear parking distance sensors
- Body-colour front and rear bumpers
- Twin solid rear doors
- Metallic paint
- 16-inch steel wheels with full-diameter wheel trims
- Emergency tyre inflation kit

Safety/security:

- Driver's airbag
- Height-adjustable front lap and diagonal inertia-reel seatbelts
- Electronic stability programme with traction control
- Anti-lock braking system
- Full-height steel bulkhead
- Hill start assist
- Daytime running lights
- Remote control central deadlocking
- Remote control security alarm system
- Keyless entry and start – standard on Automatic models
- Engine deadlock immobiliser
- Electronically protected audio equipment

GRIFFIN



VX_COMV_31845

L1 PANEL VAN ON-THE-ROAD PRICES

| EURO 6D TEMP (6.2) | OTR RRP exc. VAT | Insurance Group |
|--------------------------|---------------------|--------------------|
| Diesel | | |
| 2000 1.5 (100PS) Turbo D | £16,558.33 | 29E |

Please note: On-the-road recommended retail prices (RRP) include number plates and delivery to Retailer of £583.33, 12 months' Vehicle Excise Duty and new vehicle first registration fee of £55.00. Excludes fuel and insurance.

FEATURES

Infotainment:

- Multimedia audio system
 - 8-inch colour touchscreen
 - AM/FM/DAB digital radio
 - Bluetooth® audio streaming
 - Bluetooth® mobile phone portal
 - USB audio connection
 - Four speakers
- Vauxhall Connect

Interior convenience/styling:

- 3.5-inch colour information display
- Automatic anti-dazzle rear-view mirror
- Rain-sensitive windscreen wipers
- Air conditioning
- Driver's top-lidded glovebox
- Six-way adjustable driver's seat with manual lumbar adjustment and armrest
- Dual front passengers' fixed bench seat
- Full-width overhead storage shelf
- Electronic cruise control
- Steering wheel mounted audio controls
- Steering column adjustable for reach and rake
- FlexCargo
 - Fold-flat centre seat backrest with table
 - Two-way foldable outer seat
 - Load-through bulkhead
 - Electric parking brake

Exterior convenience/styling:

- Metallic paint
- 16-inch alloy wheels
- High beam assist
- Electrically adjustable/heated door mirrors
- Electrically operated front windows with one-touch facility
- Front fog lights
- Nearside sliding side-access door
- Rear parking distance sensors
- Body-colour front and rear bumpers
- Twin solid rear doors
- Emergency tyre inflation kit
- High beam assist

Safety/security:

- Driver drowsiness indicator
- Driver's airbag
- Height-adjustable front lap and diagonal inertia-reel seatbelts
- Electronic stability programme with traction control
- Anti-lock braking system
- Full-height steel bulkhead
- Hill start assist
- Daytime running lights
- Remote control central deadlocking
- Remote control security alarm system
- Engine deadlock immobiliser
- Electronically protected audio equipment

ELITE



VX_COMV_32016

L1 PANEL VAN ON-THE-ROAD PRICES

| EURO 6D TEMP (6.2) | OTR RRP exc. VAT | Insurance Group |
|--------------------------|---------------------|--------------------|
| Diesel | | |
| 2300 1.5 (130PS) Turbo D | £24,208.33 | tba |

L2 PANEL VAN ON-THE-ROAD PRICES

| EURO 6D TEMP (6.2) | | |
|--------------------------|-------------------|-----|
| Diesel | | |
| 2300 1.5 (100PS) Turbo D | £24,758.33 | 32E |

Please note: On-the-road recommended retail prices (RRP) include number plates and delivery to Retailer of £583.33, 12 months' Vehicle Excise Duty and new vehicle first registration fee of £55.00. Excludes fuel and insurance.

FEATURES

Infotainment:

- Multimedia Navi Pro
 - Fully integrated European sat nav system
 - 8-inch colour touchscreen
 - Voice control
 - AM/FM/DAB digital radio
 - Bluetooth® audio streaming
 - Bluetooth® mobile phone portal
 - USB audio connection
 - Second USB charging connection
 - Four speakers
- Vauxhall Connect

Interior convenience/styling:

- 3.5-inch colour information display
- Automatic anti-dazzle rear-view mirror
- Rain-sensitive windscreen wipers
- Air conditioning
- Driver's top-lidded glovebox
- Six-way adjustable driver's seat with manual lumbar adjustment and armrest
- Full-width overhead storage shelf
- Electronic cruise control
- Steering wheel mounted audio controls
- Steering column adjustable for reach and rake
- Vinyl load floor covering
- Surround rear vision
- FlexCargo
 - Dual front passengers' fixed bench seat
 - Fold-flat centre seat backrest with table
 - Two-way foldable outer seat
 - Load-through bulkhead
 - Electric parking brake

Exterior convenience/styling:

- High beam assist
- Electrically adjustable/heated door mirrors
- Electrically operated front windows with one-touch facility
- Nearside sliding side-access door
- Black door mirrors
- Body-colour door handles
- Body-colour sliding side-access door rail cover
- Body-colour front and rear bumpers
- Front fog lights
- Twin solid rear doors
- Metallic paint
- 16-inch alloy wheels
- Front and rear parking distance sensors
- Tyre pressure monitoring system

Safety/security:

- Driver drowsiness indicator
- Driver's airbag
- Height-adjustable front lap and diagonal inertia-reel seatbelts
- Electronic stability programme with traction control
- Anti-lock braking system
- Daytime running lights
- Full-height steel bulkhead
- Hill start assist
- Remote control central deadlocking
- Remote control security alarm system
- Engine deadlock immobiliser
- Electronically protected audio equipment

CREW VAN



VX_COMV_28907

L2 CREW VAN EDITION ON-THE-ROAD PRICES

| EURO 6D TEMP (6.2) | OTR RRP exc. VAT | Insurance Group |
|--------------------------|---------------------|--------------------|
| Diesel | | |
| 2300 1.5 (100PS) Turbo D | £22,283.33 | 30A |

L2 CREW VAN SPORTIVE ON-THE-ROAD PRICES

| EURO 6D TEMP (6.2) | | |
|--------------------------|-------------------|-----|
| Diesel | | |
| 2300 1.5 (100PS) Turbo D | £23,848.33 | 29E |

Please note: On-the-road recommended retail prices (RRP) include number plates and delivery to Retailer of £583.33, 12 months' Vehicle Excise Duty and new vehicle first registration fee of £55.00. Excludes fuel and insurance.

The Combo Crew Van is classified as a Commercial Vehicle (Category N). It is not pre-approved for VAT reclaimable status and it is advisable that customers consult their local HMRC Office or visit www.hmrc.gov.uk for further details

FEATURES

Infotainment:

- AM/FM/DAB digital radio
- Bluetooth® audio streaming
- Bluetooth® mobile phone portal
- USB audio connection
- Four speakers
- Vauxhall Connect

Interior convenience/styling:

- Steering column adjustable for reach and rake
- Full-width overhead storage shelf
- Four-way adjustable driver's seat
- Four-way adjustable, folding front passenger's seat
- Three-seat second-row bench
- Vinyl load floor covering

Exterior convenience/styling:

- Electrically adjustable/heated door mirrors
- Electrically operated front windows with one-touch facility
- Nearside and offside sliding side-access doors
- Twin solid rear doors
- Emergency tyre inflation kit
- Side-protection mouldings
- 16-inch steel wheels with centre caps

Safety/security:

- Driver's airbag
- Driver and front passenger's side-impact airbags
- Height-adjustable front lap and diagonal inertia-reel seatbelts
- Rear lap and diagonal seatbelts
- Electronic stability programme with traction control
- Anti-lock braking system
- Two-position moveable ladder frame bulkhead
- Hill start assist
- Daytime running lights
- Remote control central deadlocking
- Engine deadlock immobiliser
- Electronically protected audio equipment

SPORTIVE MODELS ADDITIONALLY FEATURE

Infotainment:

- Multimedia audio system
- 8-inch colour touchscreen

Security:

- Remote control security alarm system

Interior convenience/styling:

- Steering wheel mounted audio controls
- Air conditioning
- Driver's top-lidded glovebox
- Height-adjustable driver's seat
- Manual lumbar adjustment
- Electronic cruise control

Exterior convenience/styling:

- Rear parking distance sensors
- Body-colour front and rear bumpers
- Metallic paint
- 16-inch steel wheels with full-diameter wheel trims

COMBO PANEL VAN PRICES/WEIGHTS

| | Pack Code | Minimum Mass (kg)* | Maximum indicative payload (kg)* | Gross Vehicle Weights (GVW) (kg) | Plated weights (kg) | | Towing weights (kg) Braked | Plated Gross Combination Weights (GCW) (kg) | Price (£) exc. VAT | On-the-road RRP (£) exc. VAT |
|---|-----------|--------------------|----------------------------------|----------------------------------|---------------------|-----------|----------------------------|---|--------------------|------------------------------|
| | | | | | Front axle | Rear axle | | | | |
| L1 EDITION PANEL VAN EURO 6D TEMP (6.2) | | | | | | | | | | |
| 2000 1.5 (75PS) Turbo D | DF05 HF5W | 1320 | 660 | 1980 | 1110 | 1075 | 1100 | 3080 | 18,045.00 | 18,958.33 |
| 2000 1.5 (100PS) Turbo D | DF05 HH5W | 1320 | 660 | 1980 | 1110 | 1075 | 1350 | 3330 | 18,570.00 | 19,483.33 |
| 2300 1.5 (100PS) Turbo D | DF05 HH5Z | 1340 | 1000 | 2340 | 1200 | 1400 | 1000 | 3340 | 18,920.00 | 19,833.33 |
| 2300 1.5 (130PS) Turbo D S/S | DF05 HG6Z | 1389 | 1001 | 2390 | 1200 | 1400 | 1200 | 3590 | 19,570.00 | 20,483.33 |
| 2300 1.5 (130PS) Turbo D S/S Automatic | DF05 HD8Z | 1380 | 1000 | 2380 | 1200 | 1400 | 1000 | 3380 | 21,520.00 | 22,433.33 |
| L1 DYNAMIC PANEL VAN EURO 6D TEMP (6.2) | | | | | | | | | | |
| 2000 1.5 (75PS) Turbo D | DF05 HF5Y | 1320 | 660 | 1980 | 1110 | 1075 | 1100 | 3080 | 19,045.00 | 19,958.33 |
| 2300 1.5 (100PS) Turbo D | DF05 HH5Y | 1340 | 1000 | 2340 | 1200 | 1400 | 1350 | 3340 | 19,920.00 | 20,833.33 |
| L1 SPORTIVE PANEL VAN EURO 6D TEMP (6.2) | | | | | | | | | | |
| 2000 1.5 (75PS) Turbo D | DL05 HF5W | 1320 | 680 | 2000 | 1110 | 1075 | 1100 | 3110 | 20,120.00 | 21,033.33 |
| 2000 1.5 (100PS) Turbo D | DL05 HH5W | 1320 | 680 | 2000 | 1110 | 1075 | 1350 | 3350 | 20,645.00 | 21,558.33 |
| 2300 1.5 (100PS) Turbo D | DL05 HH5Z | 1361 | 1009 | 2370 | 1200 | 1400 | 1000 | 3370 | 20,995.00 | 21,908.33 |
| 2300 1.5 (130PS) Turbo D S/S | DL05 HG6Z | 1389 | 1001 | 2390 | 1200 | 1400 | 1000 | 3390 | 21,645.00 | 22,558.33 |
| 2300 1.5 (130PS) Turbo D S/S Automatic | DL05 HD8W | 1380 | 1000 | 2380 | 1200 | 1400 | 1000 | 3380 | 23,035.00 | 23,948.33 |

S/S = Start/Stop.

Please note: On-the-road recommended retail prices (RRP) include number plates and delivery to Retailer of £583.33, 12 months' Vehicle Excise Duty and new vehicle first registration fee of £55.00. Excludes fuel and insurance.

Gross plated weights (including axle weights) quoted on the vehicle plate are to UK plated weight specification and must never be exceeded. Unbraked towing weight 600kg – all models.

*Minimum Mass for standard vehicles include coolant, oil and 90% full fuel tank. They will vary according to the vehicle specification (including trim, options and accessories) with a corresponding variation in payload.

COMBO PANEL VAN PRICES/WEIGHTS

| | Pack Code | Minimum Mass (kg)* | Maximum indicative payload (kg)* | Gross Vehicle Weights (GVW) (kg) | Plated weights (kg) | | Towing weights (kg) Braked | Plated Gross Combination Weights (GCW) (kg) | Price (£) exc. VAT | On-the-road RRP (£) exc. VAT |
|---|-----------|--------------------|----------------------------------|----------------------------------|---------------------|-----------|----------------------------|---|--------------------|------------------------------|
| | | | | | Front axle | Rear axle | | | | |
| L1 GRIFFIN PANEL VAN EURO 6D TEMP (6.2) | | | | | | | | | | |
| 2000 1.5 (100PS) Turbo D | DL05 HH5Y | 1320 | 680 | 2000 | 1110 | 1075 | 1350 | 3350 | 15,645.00 | 16,558.33 |
| L1 ELITE PANEL VAN EURO 6D TEMP (6.2) | | | | | | | | | | |
| 2300 1.5 (130PS) Turbo D S/S | DL05 HG6Y | 1389 | 1001 | 2390 | 1200 | 1400 | 1000 | 3390 | 23,295.00 | 24,208.33 |
| L2 EDITION PANEL VAN EURO 6D TEMP (6.2) | | | | | | | | | | |
| 2300 1.5 (100PS) Turbo D | DF05 HH51 | 1396 | 954 | 2350 | 1200 | 1400 | 1000 | 3350 | 20,120.00 | 21,033.33 |
| 2300 1.5 (130PS) Turbo D S/S Automatic | DF05 HD81 | 1430 | 940 | 2370 | 1200 | 1400 | 1000 | 3370 | 22,720.00 | 23,633.33 |
| L2 DYNAMIC PANEL VAN EURO 6D TEMP (6.2) | | | | | | | | | | |
| 2300 1.5 (100PS) Turbo D | DF05 HH5X | 1396 | 954 | 2350 | 1200 | 1400 | 1000 | 3350 | 21,120.00 | 22,033.33 |
| L2 SPORTIVE PANEL VAN EURO 6D TEMP (6.2) | | | | | | | | | | |
| 2300 1.5 (100PS) Turbo D | DL05 HH51 | 1417 | 953 | 2370 | 1200 | 1400 | 1000 | 3370 | 22,195.00 | 23,108.33 |
| L2 ELITE PANEL VAN EURO 6D TEMP (6.2) | | | | | | | | | | |
| 2300 1.5 (100PS) Turbo D | DL05 HH5X | 1417 | 953 | 2370 | 1200 | 1400 | 1000 | 3370 | 23,845.00 | 24,758.33 |

S/S = Start/Stop.

Please note: On-the-road recommended retail prices (RRP) include number plates and delivery to Retailer of £583.33, 12 months' Vehicle Excise Duty and new vehicle first registration fee of £55.00. Excludes fuel and insurance.

Gross plated weights (including axle weights) quoted on the vehicle plate are to UK plated weight specification and must never be exceeded. Unbraked towing weight 600kg – all models.

*Minimum Mass for standard vehicles include coolant, oil and 90% full fuel tank. They will vary according to the vehicle specification (including trim, options and accessories) with a corresponding variation in payload.

COMBO CREW VAN PRICES/WEIGHTS

| | Pack Code | Minimum Mass (kg)* | Maximum indicative payload (kg)* | Gross Vehicle Weights (GVW) (kg) | Plated weights (kg) | | Towing weights (kg) Braked | Plated Gross Combination Weights (GCW) (kg) | Price (£) exc. VAT | On-the-road RRP (£) exc. VAT |
|--|-----------|--------------------|----------------------------------|----------------------------------|---------------------|-----------|----------------------------|---|--------------------|------------------------------|
| | | | | | Front axle | Rear axle | | | | |
| L2 EDITION CREW VAN EURO 6D TEMP (6.2) | | | | | | | | | | |
| 2300 1.5 (100PS) Turbo D | DMC5 HH51 | 1471 | 854 | 2325 | 1200 | 1400 | 1050 | 3375 | 21,370.00 | 22,283.33 |
| L2 SPORTIVE CREW VAN EURO 6D TEMP (6.2) | | | | | | | | | | |
| 2300 1.5 (100PS) Turbo D | DMC5 HH5X | 1471 | 854 | 2325 | 1200 | 1400 | 1050 | 3375 | 22,935.00 | 23,848.33 |

Please note: On-the-road recommended retail prices (RRP) include number plates and delivery to Retailer of £583.33, 12 months' Vehicle Excise Duty and new vehicle first registration fee of £55.00. Excludes fuel and insurance.

VAT reclaimable status requires a minimum 1-tonne payload for Crew Vans in accordance with HMRC guidance. Crew Vans with a payload of less than 1-tonne may be eligible for VAT reclaimable status, subject to further HMRC assessment. Customers are advised to consult their local HMRC office or visit <https://www.gov.uk/government/organisations/hm-revenue-customs> for further details in relation to VAT reclaimable status. Payload calculations should take into consideration local UK Specification and Trim Level. Ordered options may also impact payload.

Gross plated weights (including axle weights) quoted on the vehicle plate are to UK plated weight specification and must never be exceeded. Unbraked towing weight 600kg – all models.

*Minimum Mass for standard vehicles include coolant, oil and 90% full fuel tank. They will vary according to the vehicle specification (including trim, options and accessories) with a corresponding variation in payload.

COMBO 4X4 PRICES/WEIGHTS

| | Pack Code | Minimum Mass (kg)* | Maximum indicative payload (kg)* | Gross Vehicle Weights (GVW) (kg) | Plated weights (kg) | | Towing weights (kg) Braked | Plated Gross Combination Weights (GCW) (kg) | Price (£) exc. VAT | On-the-road RRP (£) exc. VAT |
|--|-----------|--------------------|----------------------------------|----------------------------------|---------------------|-----------|----------------------------|---|--------------------|------------------------------|
| | | | | | Front axle | Rear axle | | | | |
| L1 EDITION PANEL VAN EURO 6D TEMP (6.2) | | | | | | | | | | |
| 2300 1.5 (130PS) Turbo D S/S 4x4 | DF05 HG6Y | 1478 | 892 | 2370 | 1200 | 1400 | 1200 | 3500 | 35,725.00 | 36,638.33 |
| L2 EDITION PANEL VAN EURO 6D TEMP (6.2) | | | | | | | | | | |
| 2300 1.5 (130PS) Turbo D S/S 4x4 | DF05 HG6X | 1532 | 848 | 2380 | 1200 | 1400 | 1200 | 3500 | 36,925.00 | 37,838.33 |

Combo 4x4

Combo 4x4 is an approved 3rd party conversion that is included in this guide for ease of ordering:

- Converter warranty is 3 years/60k miles and is equivalent to base vehicle
- Oil servicing transfer box/rear axle 16k miles or 2 years

For Aftersales/Warranty information

Contact: assistance@dangel.com or +33 3 89 38 98 89

The Dangel 4x4 system

The Dangel 4x4 system features 4x4 on demand via an On/Off mode selector (default on start-up is FWD). It adapts to varying roads and weather conditions and can easily change into two modes.

ECO 2WD mode: In this mode the 4x4 driveline is disengaged by a jaw clutch in the front transfer case. The vehicle works in FWD and this improves fuel economy and reduces tyre wear when 4x4 is not necessary.

AUTO 4WD mode: In conditions of normal surface grip, the vehicle works in standard FWD. If the front axle loses traction, the viscous-coupling unit transfers a part of the available torque to the rear axle. This intervention is automatic, smooth and only when necessary. The vehicle returns to FWD as soon as the front axle retains sufficient traction.

Advantages...

- 4X4 with viscous-coupling and ECO 2WD position
- Standard ground clearance 180mm (+90 mm with further increase available with 4x4 Plus Pack)
- Underbody protection for engine, gearbox and fuel tank
- Dangel 4x4 system adds just 110kg

S/S = Start/Stop.

Please note: On-the-road recommended retail prices (RRP) include number plates and delivery to Retailer of £583.33, 12 months' Vehicle Excise Duty and new vehicle first registration fee of £55.00. Excludes fuel and insurance.

Gross plated weights (including axle weights) quoted on the vehicle plate are to UK plated weight specification and must never be exceeded. Unbraked towing weight 600kg – all models.

*Minimum Mass for standard vehicles include coolant, oil and 90% full fuel tank. They will vary according to the vehicle specification (including trim, options and accessories) with a corresponding variation in payload.

COMBO FUEL ECONOMY/EMISSIONS

| | NEDC mpg (litres/100km) [#] | | WLTP Fuel economy mpg (litres/100km) ^{##} | | CO ₂ (g/km) ^{##} | |
|--|--------------------------------------|-------------------------------------|--|---------------|--------------------------------------|-----|
| | Combined | CO ₂ (g/km) [#] | Combined Low | Combined High | High | Low |
| L1 EDITION PANEL VAN EURO 6D TEMP (6.2) | | | | | | |
| 2000 1.5 (75PS) Turbo D | 68.9 (4.1) | 109 | 50.5 (5.6) | 51.4 (5.5) | 146 | 143 |
| 2000 1.5 (100PS) Turbo D | 70.6 (4.0) | 106 | 51.4 (5.5) | 53.3 (5.3) | 144 | 138 |
| 2300 1.5 (100PS) Turbo D | 68.9 (4.1) | 108 | 47.1 (6.0) | 51.4 (5.5) | 158 | 143 |
| 2300 1.5 (130PS) Turbo D S/S | 62.8 (4.5) | 117 | 51.4 (5.5) | 47.9 (5.9) | 155 | 145 |
| 2300 1.5 (130PS) Turbo D S/S Automatic | 65.7 (4.3) | 114 | 45.6 (6.2) | 48.7 (5.8) | 162 | 151 |
| 2300 1.5 (130PS) Turbo D S/S 4x4 (FWD default) | 62.8 (4.5) | 119 | 47.9 (5.9) | 49.5 (5.7) | 154 | 149 |
| 2300 1.5 (130PS) Turbo D S/S 4x4 (four-wheel drive mode) | 51.7 (5.5) | 144 | - | 41.3 (6.8) | 179 | - |
| L1 DYNAMIC PANEL VAN EURO 6D TEMP (6.2) | | | | | | |
| 2000 1.5 (75PS) Turbo D | 68.9 (4.1) | 111 | 50.5 (5.6) | 51.4 (5.5) | 146 | 144 |
| 2000 1.5 (100PS) Turbo D | 70.6 (4.0) | 106 | 51.4 (5.5) | 53.3 (5.3) | 144 | 139 |

S/S = Start/Stop.

For fuel economy and CO₂ two sets of data are provided. All engines are validated to emissions standard Euro 6D Temp (6.2) which uses the newer WLTP cycle. This cycle is intended to be a closer representation to economy achieved in the real world and is included for this transparency. NEDC figures are not from the older cycle but in fact are a derived back-correlation calculation from the WLTP test data. Some systems and protocols such as the 2020 CO₂ target will use this figure, and hence it is included for this, and also to enable comparison to outgoing models.

[#]Fuel consumption and CO₂ emission data are determined using the Worldwide harmonised Light vehicles Test Procedure (WLTP), and the relevant values are translated back to allow the comparability into NEDC, according to regulations R (EC) No. 715/2007, R (EU) No. 2017/1153 and R (EU) No. 2017/1151. The values do not take into account in particular use and driving conditions, equipment or options and may vary depending on the format of tyres. For more information on official fuel consumption and CO₂ emission values, please read the guidelines at <http://vanfueldata.dft.gov.uk/>

^{##}Fuel consumption and CO₂ emission data are determined according to the WLTP test cycle. Full data relating to WLTP test cycles can be found at: www.vauxhall.co.uk/wltp

COMBO FUEL ECONOMY/EMISSIONS

| | NEDC mpg (litres/100km) [#] | | WLTP Fuel economy mpg (litres/100km) ^{##} | | CO ₂ (g/km) ^{##} | |
|---|--------------------------------------|-------------------------------------|--|---------------|--------------------------------------|-----|
| | Combined | CO ₂ (g/km) [#] | Combined Low | Combined High | High | Low |
| L1 SPORTIVE PANEL VAN EURO 6D TEMP (6.2) | | | | | | |
| 2000 1.5 (75PS) Turbo D | 68.9 (4.1) | 109 | 50.5 (5.6) | 51.4 (5.5) | 146 | 144 |
| 2000 1.5 (100PS) Turbo D | 70.6 (4.0) | 106 | 51.4 (5.5) | 53.3 (5.3) | 145 | 140 |
| 2000 1.5 (130PS) Turbo D S/S Automatic | 65.7 (4.3) | 114 | 48.7 (5.8) | 49.5 (5.7) | 153 | 148 |
| 2300 1.5 (100PS) Turbo D | 68.9 (4.1) | 108 | 49.5 (5.7) | 51.4 (5.5) | 150 | 145 |
| 2300 1.5 (130PS) Turbo D S/S | 62.8 (4.5) | 118 | 49.5 (5.7) | 50.5 (5.6) | 150 | 146 |
| L1 GRIFFIN PANEL VAN EURO 6D TEMP (6.2) | | | | | | |
| 2000 1.5 (100PS) Turbo D | 70.6 (4.0) | 106 | 51.4 (5.5) | 53.3 (5.3) | 145 | 140 |
| L1 ELITE PANEL VAN EURO 6D TEMP (6.2) | | | | | | |
| 2300 1.5 (130PS) Turbo D S/S | 62.8 (4.5) | 118 | 49.5 (5.7) | 50.5 (5.6) | 150 | 146 |

S/S = Start/Stop.

For fuel economy and CO₂ two sets of data are provided. All engines are validated to emissions standard Euro 6D Temp (6.2) which uses the newer WLTP cycle. This cycle is intended to be a closer representation to economy achieved in the real world and is included for this transparency. NEDC figures are not from the older cycle but in fact are a derived back-correlation calculation from the WLTP test data. Some systems and protocols such as the 2020 CO₂ target will use this figure, and hence it is included for this, and also to enable comparison to outgoing models.

[#]Fuel consumption and CO₂ emission data are determined using the Worldwide harmonised Light vehicles Test Procedure (WLTP), and the relevant values are translated back to allow the comparability into NEDC, according to regulations R (EC) No. 715/2007, R (EU) No. 2017/1153 and R (EU) No. 2017/1151. The values do not take into account in particular use and driving conditions, equipment or options and may vary depending on the format of tyres. For more information on official fuel consumption and CO₂ emission values, please read the guidelines at <http://vanfueldata.dft.gov.uk/>

^{##}Fuel consumption and CO₂ emission data are determined according to the WLTP test cycle. Full data relating to WLTP test cycles can be found at: www.vauxhall.co.uk/wltp

COMBO FUEL ECONOMY/EMISSIONS

| | NEDC mpg (litres/100km) [#] | | WLTP Fuel economy mpg (litres/100km) ^{##} | | CO ₂ (g/km) ^{##} | |
|--|--------------------------------------|-------------------------------------|--|---------------|--------------------------------------|-----|
| | Combined | CO ₂ (g/km) [#] | Combined Low | Combined High | High | Low |
| L2 EDITION PANEL VAN EURO 6D TEMP (6.2) | | | | | | |
| 2300 1.5 (100PS) Turbo D | 68.9 (4.1) | 108 | 47.1 (6.0) | 51.4 (5.5) | 158 | 144 |
| 2300 1.5 (130PS) Turbo D S/S Automatic | 65.7 (4.3) | 114 | 45.6 (6.2) | 48.7 (5.8) | 162 | 151 |
| 2300 1.5 (130PS) Turbo D S/S 4x4 (FWD default) | 62.8 (4.5) | 119 | 47.9 (5.9) | 49.5 (5.7) | 155 | 150 |
| 2300 1.5 (130PS) Turbo D S/S 4x4 (four-wheel drive mode) | 51.7 (5.5) | 144 | - | 41.3 (6.8) | 179 | - |
| L2 DYNAMIC PANEL VAN EURO 6D TEMP (6.2) | | | | | | |
| 2300 1.5 (100PS) Turbo D | 68.9 (4.1) | 108 | 47.1 (6.0) | 51.4 (5.5) | 158 | 145 |
| L2 SPORTIVE PANEL VAN EURO 6D TEMP (6.2) | | | | | | |
| 2300 1.5 (100PS) Turbo D | 68.9 (4.1) | 108 | 48.7 (5.8) | 50.5 (5.6) | 152 | 147 |
| L2 ELITE PANEL VAN EURO 6D TEMP (6.2) | | | | | | |
| 2300 1.5 (100PS) Turbo D | 68.9 (4.1) | 108 | 48.7 (5.8) | 50.5 (5.6) | 152 | 148 |
| L2 EDITION CREW VAN EURO 6D TEMP (6.2) | | | | | | |
| 2300 1.5 (100PS) Turbo D | 67.3 (4.2) | 111 | 49.5 (5.7) | 50.5 (5.6) | 150 | 148 |
| L2 SPORTIVE CREW VAN EURO 6D TEMP (6.2) | | | | | | |
| 2300 1.5 (100PS) Turbo D | 67.3 (4.2) | 111 | 49.5 (5.7) | 49.5 (5.7) | 150 | 148 |

S/S = Start/Stop.

For fuel economy and CO₂ two sets of data are provided. All engines are validated to emissions standard Euro 6D Temp (6.2) which uses the newer WLTP cycle. This cycle is intended to be a closer representation to economy achieved in the real world and is included for this transparency. NEDC figures are not from the older cycle but in fact are a derived back-correlation calculation from the WLTP test data. Some systems and protocols such as the 2020 CO₂ target will use this figure, and hence it is included for this, and also to enable comparison to outgoing models.

[#]Fuel consumption and CO₂ emission data are determined using the Worldwide harmonised Light vehicles Test Procedure (WLTP), and the relevant values are translated back to allow the comparability into NEDC, according to regulations R (EC) No. 715/2007, R (EU) No. 2017/1153 and R (EU) No. 2017/1151. The values do not take into account in particular use and driving conditions, equipment or options and may vary depending on the format of tyres. For more information on official fuel consumption and CO₂ emission values, please read the guidelines at <http://vanfueldata.dft.gov.uk/>

^{##}Fuel consumption and CO₂ emission data are determined according to the WLTP test cycle. Full data relating to WLTP test cycles can be found at: www.vauxhall.co.uk/wltp

FEATURES/OPTIONS

DRIVER ASSISTANCE

| | Option code | Edition | Dynamic | Sportive | Griffin | Elite | Price (£) exc. VAT | Price (£) inc. VAT |
|---|-------------|---------|---------|----------|---------|-------|--------------------|--------------------|
| Parking brake • Floor-mounted handbrake lever – Sportive automatic models only. | | ● | ● | ● | | | | |
| • Electronic parking brake – Standard on Sportive manual models only. | | | | ● | ● | ● | | |
| Adaptive Cruise Control with speed limiter and intelligent speed adaptation – 1.5 (130PS) diesel manual models. Only available in conjunction with Safety Pack. | K38 | | | ○ | | | 250.00 | 300.00 |
| Parking sensors • Rear parking distance sensors • Audible warning | UD7 | ○ | ● | ● | ● | ● | 200.00 | 240.00 |
| • Front and rear parking distance sensors – Not available on Crew Van. | UD5 | | ○ | ○ | | ● | 400.00 | 480.00 |
| Surround rear vision – Only available in conjunction with front fog lights and front/rear parking distance sensors. Permanent display through digital rear-view mirror with three functions: • Side passenger view – Enables passenger side blind spot to be seen • Rear-view monitoring – Provides an image from the rear and effectively replaces rear-view mirror • Visual aid for reversing – Displays area to the rear of the vehicle when in reverse gear and indicates the width of the vehicle with the rear-view mirrors extended | UL3 | | ○ | ○ | | ● | 500.00 | 600.00 |
| Rear-view camera for park assistance Display appears in rear-view mirror with standard radio, or in multimedia display in combination with Multimedia system (iO5) or Multimedia Navi Pro system (iO6) – Only available with front fog lights and rear, or front/rear parking distance sensors. Not available on Crew Van | UVC | ○ | ○ | ○ | | | 250.00 | 300.00 |

● = Standard equipment. ○ = Optional at extra cost.

FEATURES/OPTIONS

DRIVER ASSISTANCE CONTINUED

| | Option code | Edition | Dynamic | Sportive | Griffin | Elite | Price (£) exc. VAT | Price (£) inc. VAT |
|--|--------------------|---------|---------|----------|---------|-------|--------------------|--------------------|
| Head-up display • Navigation directions • Speedometer • Rev counter • Set speed of cruise control and speed limiter • Forward collision alert | UV6 | | | ○ | | ○ | 300.00 | 360.00 |
| Construction Pack with IntelliGrip Improved protection and grip with engine sump guard/shield and Michelin Latitude Tour Mud and Snow tyres. IntelliGrip traction control is designed to increase grip in difficult conditions without the additional weight of a conventional four-wheel drive system. It's an innovative grip control system that provides improved traction on certain terrain and conditions through a combination of optimised torque distribution and limited wheel spin, managed through the electronic stability programme. • Underride protection • 215/65 R16 tyres • Increased chassis height (+30mm) • IntelliGrip: A choice of five selectable modes to suit the driving conditions: ESP on, ESP off, snow, mud, sand – Not available on 4x4 models. | HMG (includes PS4) | ○ | ○ | | | | 930.00 | 1,116.00 |

○ = Optional at extra cost.

FEATURES/OPTIONS

SAFETY

| | Option code | Edition | Dynamic | Sportive | Griffin | Elite | Price (£) exc. VAT | Price (£) inc. VAT |
|--|-------------|---------|---------|----------|---------|-------|--------------------|--------------------|
| Driver/passenger airbags • Driver's airbag | | ● | ● | ● | ● | ● | | |
| • Driver and front passenger's airbag – Standard on Automatic models. | AK5 | ○ | ○ | ○ | | ○ | 120.00 | 144.00 |
| • Driver and front passenger's side-impact airbags – Standard on Crew Van models. | AJ7 | | ○ | ○ | | ○ | 490.00 | 588.00 |
| • Driver and front passenger's side-impact and curtain airbags – Not available on Crew Van. | AKB | | ○ | ○ | | ○ | 490.00 | 588.00 |
| Seatbelts • Height-adjustable lap and diagonal inertia-reel front seatbelts • Three lap and diagonal inertia-reel rear seatbelts (Crew Van) • 'Seatbelt unfastened' audible warning and warning light (includes rear seat passengers on Crew Van) • Front body-lock diagonal seatbelt pretensioner system – Tightens the seatbelt during the early stages of a frontal impact. • Drivers and front passenger's lap belt pretensioner system • Front seatbelt force limiters – Reduces potential upper body injuries during a frontal impact. | | ● | ● | ● | ● | ● | | |
| Child safety • Deactivation switch for front passenger's front and side-impact airbags (when specified) – Permits the safe use of a child seat in the front passenger seat. | | □ | □ | □ | | □ | | |
| Driver/passenger safety • Energy-absorbing steering column • Side-impact protection beams • Reinforced passenger safety cell • Deformation zones front and rear | | ● | ● | ● | ● | ● | | |
| Braking and stability • Electronic stability programme • Anti-lock braking system • Corner stability control • Traction control • Hill start assist • Engine drag torque control – Improves directional stability by preventing the driven wheels from locking on slippery surfaces under the influence of engine braking. • Emergency brake assist • Electronic brakeforce distribution | | ● | ● | ● | ● | ● | | |
| Tyre pressure • Deflation detection system – Not available on 4x4. | UJO | ○ | ○ | ○ | | ● | 185.00 | 222.00 |
| Overload indicator Prevents risk of overloading. Avoids risk of a fine for exceeding the load limit. – Not available on 4x4 or Crew Van models. | J89 | ○ | ○ | ○ | | ○ | 260.00 | 312.00 |

● = Standard equipment. ○ = Optional at extra cost. □ = Only available when passenger's airbag options are specified.

FEATURES/OPTIONS

SAFETY CONTINUED

| | Option code | Edition | Dynamic | Sportive | Griffin | Elite | Price (£) exc. VAT | Price (£) inc. VAT |
|--|-------------|---------|---------|----------|---------|-------|--------------------|--------------------|
| Bulkhead • Full-height steel bulkhead – Sportive and Elite models include load-through facility. | | ● | ● | ● | ● | ● | | |
| • Full-height steel bulkhead with window – Panel Van. | AX9 | ○ | ○ | | | | 175.00 | 210.00 |
| • Two-position moveable ladder frame bulkhead – Crew Van. | | ● | | ● | | | | |
| Safety Pack – Standard on Automatic models. Includes leather-covered steering wheel. Requires electronic cruise control or adaptive cruise control with speed limiter and intelligent speed adaptation. Not available on 4x4 models. | | | | | | | | |
| Front camera system A range of class-leading driver assistance and safety features are controlled by the front camera system. | | | | | | | | |
| Lane keep assist with lane departure warning If the driver has not actively steered or signalled, the lane departure warning system provides gentle steering correction and warns when the vehicle moves outside of lane markings at speeds above 40mph. • Warning light in instrument cluster • Audible warning • Facia on/off switch | | | | | | | | |
| Speed sign recognition Detects and then displays speed limits, reducing uncertainty and the risk of speeding. | B26 | ○ | ○ | ○ | | ○ | 805.00 | 966.00 |
| Driver drowsiness system The system monitors driving time and driving behaviour to help prevent accidents caused by tiredness. | | | | | | | | |
| Forward collision alert The system operates Automatically from 3mph and gives an audible warning as well as a visual warning when approaching another vehicle too quickly. | | | | | | | | |
| Automatic emergency braking with pedestrian detection The system works Automatically in conjunction with forward collision alert, at speeds between 3mph and 70mph, and detects both vehicles and pedestrians. If no avoiding action is taken by the driver, at speeds below 19mph the system Automatically slows the vehicle to a full stop with emergency braking of 0.9g. At speeds from 19mph to 70mph it brakes Automatically to reduce speed by a maximum of 30mph – to reduce speed even further the driver must brake him/herself. The operational speed range of the system depends on the detected obstacle (mobile target: from 3 to 53mph; fixed target: from 3 to 70mph; pedestrian: from 3 to 37mph). Vauxhall driver assistance systems are intended to support the driver within the system-imminent limitations. The driver remains responsible for the driving task. | | | | | | | | |

● = Standard equipment. ○ = Optional at extra cost.

FEATURES/OPTIONS

SECURITY

| | Option code | Edition | Dynamic | Sportive | Griffin | Elite | Price (£) exc. VAT | Price (£) inc. VAT |
|--|-------------|---------|---------|----------|---------|-------|--------------------|--------------------|
| Standard security features <ul style="list-style-type: none"> • Electronically protected audio equipment • Engine deadlock immobiliser • Visible Vehicle Identification Number (VIN) • Locking wheel bolts for alloy wheels (where fitted) | | ● | ● | ● | ● | ● | | |
| Remote control central locking <ul style="list-style-type: none"> • Operates on all doors and fuel filler flap • Deadlocking • Driver's internal central locking activation switch • Two folding keys, each with integral remote control function | | ● | ● | ● | ● | ● | | |
| Remote control security alarm system <ul style="list-style-type: none"> • Remote control – Operates in conjunction with central locking. • Bonnet protection – Prevents access to the engine bay. • Visible security LED on fascia • Load area protection – Monitors the load compartment preventing access. • Door protection – Monitors the position of all doors. • Ultrasonic intrusion sensor • Power alarm sounder • Vehicle theft attempt and diagnostic indication – Shows in the display any attempt to enter or steal the vehicle during driver absence. | PS6 | ○ | ● | ● | ● | ● | 150.00 | 180.00 |

● = Standard equipment. ○ = Optional at extra cost.

FEATURES/OPTIONS

DRIVER INFORMATION

| | Option code | Edition | Dynamic | Sportive | Griffin | Elite | Price (£) exc. VAT | Price (£) inc. VAT |
|---|-------------|---------|---------|----------|---------|-------|--------------------|--------------------|
| Instrumentation <ul style="list-style-type: none"> • Speedometer • Rev counter • Fuel gauge with low fuel level warning light • Water temperature gauge with warning light • Shift-up indication light (manual models only) – Indicates when to change gear for optimum fuel economy. | | ● | ● | ● | ● | ● | | |
| Driver information display Centrally located in instrument cluster. <ul style="list-style-type: none"> • Displays trip computer data • Total mileage • Service-due indicator | | ● | ● | ● | ● | ● | | |
| Multi-function trip computer Displayed on driver information display. <ul style="list-style-type: none"> • Trip mileage • Vehicle range based on remaining fuel • Average speed • Average fuel economy • Instantaneous fuel economy | | ● | ● | ● | ● | ● | | |
| Central facia display Format dependent on infotainment unit. <ul style="list-style-type: none"> • Audio information • Digital clock with Automatic RDS time adjustment • Outside air temperature with ice warning function • Additional features dependent on infotainment unit – See infotainment for details. | | ● | ● | ● | ● | ● | | |

● = Standard equipment.

FEATURES/OPTIONS

SEATING AND COMFORT

| | Option code | Edition | Dynamic | Sportive | Griffin | Elite | Price (£) exc. VAT | Price (£) inc. VAT |
|--|-------------|---------|---------|----------|---------|-------|--------------------|--------------------|
| Adjustable steering column • Reach and rake-adjustable steering column | | ● | ● | ● | ● | ● | | |
| Driver's seat 4-way adjustable. • Reach • Backrest recline | | ● | | | | | | |
| Driver's seat 6-way adjustable. • Height • Reach • Manual lumbar adjustment • Armrest | A2V | ○ | ● | ● | ● | ● | 125.00 | 150.00 |
| Front passenger's seat • Fixed • Underseat storage | | ● | ● | | | | | |
| Front passenger's seat – Sportive automatic models only. 4-way adjustable. • Reach • Backrest recline • Manual lumbar adjustment | | | | ● | | | | |
| Front passenger's seat – Sportive manual models only. • Dual front passengers' fixed bench seat • Fold-flat centre seat backrest with table • Two-way foldable outer seat | | | | ● | ● | ● | | |
| Front passenger's seat – Crew Van models. 4-way adjustable and foldable. • Reach • Backrest recline • Armrest | | ● | | ● | | | | |
| Second-row – Crew Van models. • Three-person layout • 60/40 split-folding rear seat • Fold and tumble facility • Height-adjustable and removable head restraints | | ● | | ● | | | | |
| Seat trim • Mistral Grey with Curitiba fabric seat trim inserts | | ● | ● | ● | ● | ● | | |

● = Standard equipment. ○ = Optional at extra cost.

FEATURES/OPTIONS

SEATING AND COMFORT CONTINUED

| | Option code | Edition | Dynamic | Sportive | Griffin | Elite | Price (£) exc. VAT | Price (£) inc. VAT |
|--|-------------|---------|---------|----------|---------|-------|--------------------|--------------------|
| <p>FlexCargo Pack</p> <hr/> <p>Panel Van.</p> <ul style="list-style-type: none"> • Dual front passengers' fixed bench seat • Fold-flat centre seat backrest with integrated table • Two-way foldable outer seat • Load-through bulkhead • Electric parking brake • 'Seatbelt unfastened' audible warning and warning light <p>- Manual models only. Includes 6-way adjustable driver's seat on Edition models.</p> | AYW | ○ | ○ | ● | ● | ● | 612.00 | 735.00 |
| <p>FlexCargo Glazed Pack</p> <hr/> <p>Panel Van.</p> <ul style="list-style-type: none"> • Dual front passengers' fixed bench seat • Fold-flat centre seat backrest with integrated table • Two-way foldable outer seat • Load-through glazed bulkhead • Electric parking brake • 'Seatbelt unfastened' audible warning and warning light <p>- Manual models only. Available only when glazed rear door option is specified. Includes 6-way adjustable driver's seat on Edition models.</p> | AYV | ○ | ○ | ○ | | ○ | 690.00 | 828.00 |
| | | | | ○ | | ○ | 80.00 | 96.00 |

● = Standard equipment. ○ = Optional at extra cost.

FEATURES/OPTIONS

HEATING AND VENTILATION

| | Option code | Edition | Dynamic | Sportive | Griffin | Elite | Price (£) exc. VAT | Price (£) inc. VAT |
|---|-------------|---------|---------|----------|---------|-------|--------------------|--------------------|
| Cab heating <ul style="list-style-type: none"> • Six-speed fan • Illuminated controls • Four adjustable facia vents • Windscreen demist vents • Side window demist vents | | ● | ● | ● | ● | ● | | |
| Air conditioning <ul style="list-style-type: none"> • Air recirculation facility • Cabin particulate filter – Removes dust, airborne particles and pollen. | C60 | ○ | ● | ● | ● | ● | 600.00 | 720.00 |
| Electronic climate control including air conditioning <ul style="list-style-type: none"> • Dual-zone control – allowing different temperature settings for driver and front passenger. • Advanced predictive logic control system using sun sensors • Partial air recirculation – faster warm up/cool down. • Cabin particulate filter – removes dust, airborne particles and pollen. • Automatic air direction and fan speed with manual override • LCD temperature display • Illuminated controls – Only available when the Sight and Light Pack is specified. | CJ2 | | | | | ○ | 200.00 | 240.00 |

INTERIOR CONVENIENCE AND STORAGE

| | | | | | | | | |
|--|--|---|---|---|---|---|--|--|
| Mirrors <ul style="list-style-type: none"> • Dipping rear-view mirror – When glazed bulkhead and rear doors are specified. • Driver's and front passenger's sunvisors • Vanity mirror on rear of driver's sunvisor | | ● | ● | ● | ● | ● | | |
| Front compartments <ul style="list-style-type: none"> • Two facia-mounted drinks holders • Two drinks holders in centre console • Large open storage pocket behind infotainment screen • Small open storage compartment behind gear lever • Two large and two small open door pockets • Open storage compartment below glovebox • Full-width overhead storage shelf with ambient lighting | | ● | ● | ● | ● | ● | | |

● = Standard equipment. ○ = Optional at extra cost.

FEATURES/OPTIONS

LOAD AREA

| | Option code | Edition | Dynamic | Sportive | Griffin | Elite | Price (£) exc. VAT | Price (£) inc. VAT |
|--|-------------|---------|---------|----------|---------|-------|--------------------|--------------------|
| Load floor covering – Panel Van only. • Plywood load floor covering | CRJ | ○ | ○ | ○ | | ○ | 180.00 | 216.00 |
| • Vinyl load floor covering – Standard on Crew Van models. | CRK | ○ | ○ | ○ | | ● | 60.00 | 72.00 |
| Illuminated load area | | ● | ● | ● | ● | ● | | |
| Fixed floor-mounted load restraint lashing eyes – Six. | | ● | ● | ● | ● | ● | | |
| LED illuminated load area – Panel Van only. | 8G8 | ○ | ○ | ○ | | ○ | 200.00 | 240.00 |
| Side access – Unglazed. • Nearside sliding side-access door – L1 models. | | ● | ● | ● | ● | ● | | |
| • Nearside and offside sliding side-access doors – Standard on L2 and Crew Van models. | CVM | ○ | ○ | ○ | | ○ | 220.00 | 264.00 |
| Side access – Glazed. Panel Van only. • Fixed window in nearside sliding side-access door • Fixed window in opposite panel – L1 models. | BSB | ○ | ○ | ○ | | ○ | 320.00 | 384.00 |
| Side access – Glazed. Panel Van only. • Offside sliding side-access door • Fixed window in nearside sliding side-access door • Fixed window in offside sliding side-access door – L1 models. | BSA | ○ | ○ | ○ | | ○ | 540.00 | 648.00 |
| Side access – Glazed. Panel Van only. • Fixed window in nearside sliding side-access door • Fixed window in offside sliding side-access door – L2 models. | BSB | ○ | ○ | ○ | | ○ | 320.00 | 384.00 |
| Rear access – Unglazed. • Twin solid rear doors | | ● | ● | ● | ● | ● | | |
| Rear access – Glazed. • Twin glazed rear doors – Only available with glazed bulkhead options. | J1X | ○ | ○ | ○ | | ○ | 160.00 | 192.00 |

● = Standard equipment. ○ = Optional at extra cost.

FEATURES/OPTIONS

INFOTAINMENT

| | Option code | Edition | Dynamic | Sportive | Griffin | Elite | Price (£) exc. VAT | Price (£) inc. VAT |
|---|-------------|---------|---------|----------|---------|-------|--------------------|--------------------|
| <p>Radio</p> <p>Onboard features:</p> <ul style="list-style-type: none"> • AM/FM stereo radio • DAB Digital radio • RDS with Traffic Programme • 20 watts per channel output • Four speakers <p>Media connections:</p> <ul style="list-style-type: none"> • USB connection with iPod control • Bluetooth® A2DP audio streaming (Advanced Audio Distribution Profile) <p>Mobile phone portal:</p> <ul style="list-style-type: none"> • Bluetooth® connectivity • Handsfree calls via steering wheel controls • Vehicle microphone | | ● | ● | | | | | |
| <p>Multimedia</p> <p>Onboard features:</p> <ul style="list-style-type: none"> • 8-inch colour touchscreen • AM/FM stereo radio with 25 station presets • DAB Digital radio • RDS with Traffic Programme • 20 watts per channel output • Four speakers <p>Media connections:</p> <ul style="list-style-type: none"> • USB connection with iPod control • Bluetooth® A2DP audio streaming (Advanced Audio Distribution Profile) <p>Mobile phone portal:</p> <ul style="list-style-type: none"> • Bluetooth® connectivity • Handsfree calls via steering wheel controls • Vehicle microphone • Phone book access – Contacts/last calls/missed calls etc. are mirrored on the display and are easily navigated using the touchscreen (features dependent on mobile phone). <p>Smartphone interface:</p> <ul style="list-style-type: none"> • Apple CarPlay • Android Auto™ – Smartphone projection that allows operations via voice command, touchscreen and buttons to control apps and music playback. | i05 | ○ | ○ | ● | ● | | 400.00 | 480.00 |

● = Standard equipment. ○ = Optional at extra cost.

FEATURES/OPTIONS

INFOTAINMENT CONTINUED

| | Option code | Edition | Dynamic | Sportive | Griffin | Elite | Price (£) exc. VAT | Price (£) inc. VAT |
|--|-------------|---------|---------|----------|---------|-------|--------------------|--------------------|
| <p>Multimedia Navi Pro – Requires electronic cruise control or adaptive cruise control with speed limiter and intelligent speed adaptation.</p> <p>Onboard features:</p> <ul style="list-style-type: none"> • 8-inch colour touchscreen • AM/FM stereo radio with 25 station presets • DAB Digital radio • RDS with Traffic Programme • 20 watts per channel output • Four speakers <p>Navigation features:</p> <ul style="list-style-type: none"> • Satellite navigation system • 3D street level mapping • European coverage • Structured or one-box destination entry • Points-of-interest search • Eco routing • Map updates via USB <p>Media connections:</p> <ul style="list-style-type: none"> • USB connection with iPod control • Bluetooth® A2DP audio streaming (Advanced Audio Distribution Profile) <p>Mobile phone portal:</p> <ul style="list-style-type: none"> • Bluetooth® connectivity • Handsfree calls via steering wheel controls • Vehicle microphone • Phone book access – Contacts/last calls/missed calls etc. are mirrored on the display and are easily navigated using the touchscreen (features dependent on mobile phone). <p>Smartphone interface:</p> <ul style="list-style-type: none"> • Apple CarPlay • Android Auto™ – Smartphone projection that allows operations via voice command, touchscreen and buttons to control apps and music playback. | IO6 | ○ | ○ | ○ | | ● | 550.00 | 660.00 |
| | | | | | | | 150.00 | 180.00 |
| <p>Steering wheel mounted audio controls</p> <p>– Standard on Automatic Edition models.</p> | | | ● | ● | ● | ● | | |
| <p>12-volt electrical accessory socket – Centre console.</p> | | ● | ● | ● | ● | ● | | |
| <p>230-volt electrical accessory socket</p> | KI5 | | | ○ | | ○ | 100.00 | 120.00 |
| <p>Vauxhall Connect</p> | | ● | ● | ● | ● | ● | | |

● = Standard equipment. ○ = Optional at extra cost.



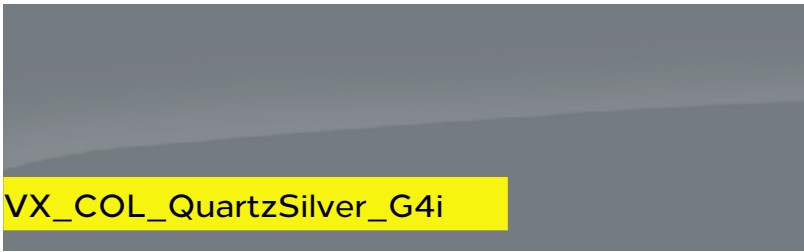

FEATURES/OPTIONS

EXTERIOR STYLING AND CONVENIENCE

| | Option code | Edition | Dynamic | Sportive | Griffin | Elite | Price (£) exc. VAT | Price (£) inc. VAT |
|---|-------------|---------|---------|----------|---------|-------|--------------------|--------------------|
| Body styling • Nearside sliding side-access door • Twin solid rear doors • Side-protection mouldings | | ● | ● | ● | ● | ● | | |
| • Body-colour front and rear bumpers | | | | ● | ● | ● | | |
| • Body-colour door handles • Body-colour sliding side-access door rail cover | | | | | | ● | | |
| Windscreen/windows • Solar heat-absorbing windscreen • Two-speed windscreen wipers with variable intermittent wipe • Electrically operated front windows with safety autoreverse and one-touch facility • Tinted windows | | ● | ● | ● | ● | ● | | |
| Door mirrors • Twin electrically adjustable/heated door mirrors • Manually folding door mirrors | | ● | ● | ● | ● | ● | | |
| Front fog lights | T3U | ○ | ○ | ● | ● | ● | 125.00 | 150.00 |
| Tow bar – Not available on 4x4 models. | VTO | ○ | ○ | ○ | | ○ | 210.00 | 252.00 |
| Roof rails | E2R | | | ○ | | ○ | 125.00 | 150.00 |
| 4x4 Plus Pack (4x4 models only) • Rear differential locking • Increased ride height +20 mm (Indicative 205mm ground clearance) • Tyres – Mud & Snow (3PMSF) 215/65 R 16. | XZSW | ○ | | | | | 3,800.00 | 4,560.00 |

● = Standard equipment. ○ = Optional at extra cost.




EXTERIOR COLOURS

| | | | | | | Edition | Dynamic | Sportive | Griffin | Elite | Price (£) exc. VAT | Price (£) inc. VAT |
|----------|--|--------------------------------------|---|-------------------------------------|--|---------|---------|----------|---------|-------|-----------------------|-----------------------|
| Solid |  | Jade White (G20) | | | | ● | ● | ● | ● | ● | | |
| | VX_COL_White_Jade_G2o | | | | | | | | | | | |
| Two-coat |  | Moonstone Grey metallic (G40) |  | Quartz Silver metallic (G4I) | | ○ | ○ | N/C | N/C | N/C | 475.00 | 570.00 |
| | VX_COL_MoonstoneGrey_G4o | | | VX_COL_QuartzSilver_G4i | | | | | | | | |
| |  | Pearl Black metallic (G70) | | | | | | | | | | |
| | VX_COL_OnyxBlack_G7R | | | | | | | | | | | |

The colours reproduced may vary slightly from the actual paint colour. As a result they should be used as a guide only. Your Vauxhall Retailer has a comprehensive display of our paint samples.


● = Standard equipment. ○ = Optional at extra cost. N/C = No-cost option.

COMBO WHEELS AND TYRES

| | Option code | Edition | Dynamic | Sportive | Griffin | Elite | Price (£) exc. VAT | Price (£) inc. VAT |
|---|-------------|---------|---------|----------|---------|-------|--------------------|--------------------|
| 15-inch steel spare wheel • 185/65 R 15 tyres • In lieu of emergency tyre inflation kit | RU3 | N/C | N/C | | | | No-cost option | |
| 16-inch steel spare wheel • 205/60 R 16 tyres • In lieu of emergency tyre inflation kit | RU9 | N/C | N/C | N/C | N/C | N/C | No-cost option | |
|  <p>15-inch steel wheels with centre caps (2000 models) • 185/65 R 15 tyres • Emergency tyre inflation kit (in lieu of spare wheel)</p> <p>16-inch steel wheels with centre caps (2300 models) • 205/60 R 16 tyres • Emergency tyre inflation kit (in lieu of spare wheel)</p> | | ● | ● | | | | | |
|  <p>16-inch steel wheels with full-diameter wheel trims (2300 models) • 205/60 R 16 tyres • Emergency tyre inflation kit (in lieu of spare wheel)</p> | | | | ● | | | | |
|  <p>16-inch alloy wheels • 205/60 R 16 tyres • Emergency tyre inflation kit (in lieu of spare wheel)</p> | | | | | ● | ● | | |

● = Standard equipment. N/C = No-cost option.

COMBO 4X4 WHEELS AND TYRES

| | Option code | Edition | Price (£) exc. VAT | Price (£) inc. VAT |
|--|-------------|---------|--------------------|--------------------|
|  <p>16-inch steel wheels with centre caps • 215/65 R 16 worksite tyres • Emergency tyre inflation kit (in lieu of spare wheel)</p> <p>VX_COM_28907</p> | | ● | | |

● = Standard equipment.

SPECIFICATIONS

Transmission

- Front-wheel drive
- Five-speed manual gearbox 1.5 (75/100PS) Turbo D models
- Six-speed manual gearbox – 1.5 (130PS) Turbo D models
- Eight-speed Automatic transmission – available on 1.5 (130PS) Turbo D models

Replacing the traditional lever, the Automatic transmission selection-mode dial/drive wheel is an innovative solution that is both elegant and intuitive. By simply twisting the dial, the following modes can be selected:

- Park, for when the vehicle is stationary and the wheels are locked
- Drive, for Automatic forward motion
- Neutral, for when the vehicle is stationary, wheels are free
- Reverse, for Automatic backward motion

For an extra experience of dynamism, the shift paddles for Automatic transmissions are located behind the steering wheel, offering drivers an extra level of control that is highly ergonomic and intuitive. The shift paddles function in the following way:

- To go up a gear, the driver must pull the right lever towards themselves
- To go down a gear, the driver must pull the left lever towards themselves*

Steering

- Speed-sensitive electric power-assisted system
- Turning circle (kerb-to-kerb) – 11.0m (36 ft) L1 models, 11.8m (38.7 ft) L2 models

Suspension

Front: Independent. MacPherson struts with gas-pressure dampers and linear-rate coil springs. Anti-roll bar

Rear: Torsion beam with gas-pressure dampers and constant-rate coil springs (variable-rate on 2300 models)

Fuel Tank Capacity

- 50 litres (10.9 gallons)

AdBlue® Tank Capacity

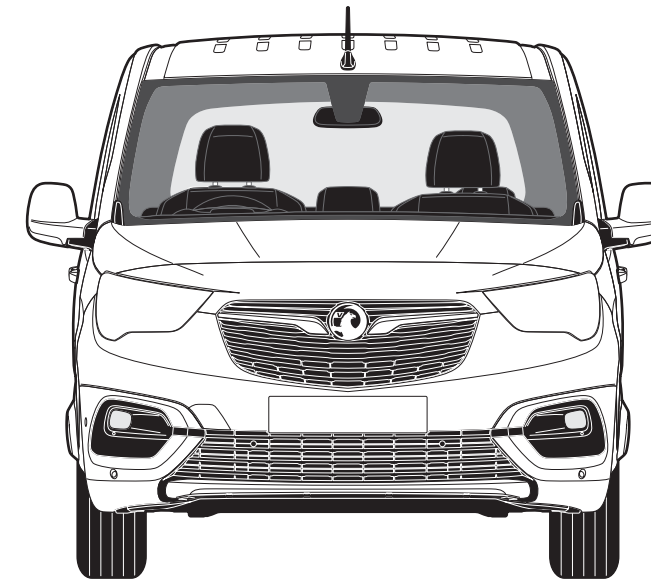
- 17 Litres (3.7 gallons)

DIESEL ENGINES

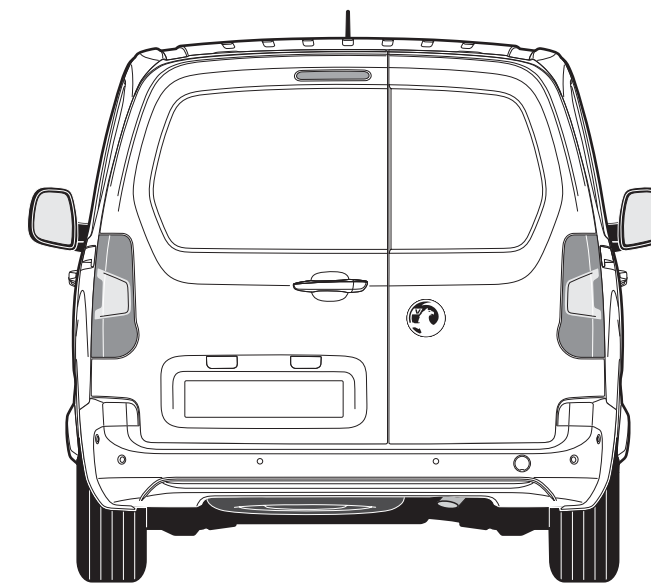
| Engine | 1.5 (75PS) Turbo D BlueInjection | 1.5 (100PS) Turbo D BlueInjection | 1.5 (130PS) Turbo D Start/Stop BlueInjection |
|-----------------------|---|--|--|
| Capacity | 1499cc | 1499cc | 1499cc |
| Maximum power | 75PS (55kW) @ 3500rpm | 100PS (75kW) @ 3500rpm | 130PS (96kW) @ 3750rpm |
| Maximum torque | 230Nm (170 lb.ft.) @ 1750rpm | 250Nm (184 lb.ft.) @ 1750rpm | 300Nm (221 lb.ft.) @ 1750rpm |
| Configuration | 4 cylinders, 4 valves per cylinder, double overhead camshafts | 4 cylinders, 4 valves per cylinder, double overhead camshafts | 4 cylinders, 4 valves per cylinder, double overhead camshafts |
| Fuel/induction system | Turbocharger with intercooler. Common rail fuel injection | Variable-nozzle turbocharger with electric switching. Common rail direct injection | Variable-nozzle turbocharger with electric switching. Common rail direct injection |
| Emission compliance | Euro 6d-TEMP with Diesel Particulate Filter | Euro 6d-TEMP with Diesel Particulate Filter | Euro 6d-TEMP with Diesel Particulate Filter |
| Service interval | 25,000 miles or 2 years (whichever occurs sooner) | 25,000 miles or 2 years (whichever occurs sooner) | 25,000 miles or 2 years (whichever occurs sooner) |

DIMENSIONS AND CAPACITIES

| Loadspace Dimensions | Panel Van | | Crew Van |
|--|---------------------------|---------------------------|---------------------------|
| | L1 | L2 | L2 |
| Load length | 1527 (60.1) – 1817 (71.5) | 1877 (73.9) – 2167 (85.3) | 1051 (41.4) – 2110 (83.1) |
| Load length – With ‘load through’ | 3090 (121.7) | 3440 (135.4) | 3050 (120.1) |
| Maximum load height | 1236 (48.7) | 1243 (48.9) | 1243 (48.9) |
| Load width – With nearside side-access door | 1630 (64.2) | - | - |
| Load width – With nearside and offside side-access doors | 1527 (60.1) | 1527 (60.1) | 1527 (60.1) |
| Maximum width between wheel arches | 1229 (48.4) | 1229 (48.4) | 1229 (48.4) |
| Loading height | 548 (21.6) – 610 (24.0) | 548 (21.6) – 610 (24.0) | 620 (24.4) |
| Maximum rear door aperture width | 1241 (48.9) | 1241 (48.9) | 1241 (48.9) |
| Maximum rear door aperture height | 1196 (47.1) | 1196 (47.1) | 1196 (47.1) |
| Maximum side-access aperture width | 675 (26.6) | 675 (26.6) | 759 (29.9) |
| Maximum side-access aperture height | 1072 (42.2) | 1072 (42.2) | 1072 (42.2) |
| Loadspace Volumes cu.m (cu.ft.) | | | |
| Panel Van | 3.3 (116.5) | 3.9 (137.7) | - |
| Panel Van – With ‘load through’ | 3.8 (134.2) | 4.4 (155.4) | - |
| Crew Van – With seats folded | - | - | 4.0 (141.2) |
| Crew Van – With seats up (to top of seats) | - | - | 1.8 (63.6) |
| Crew Van – With seats up (to roof) | - | - | 3.5 (123.6) |

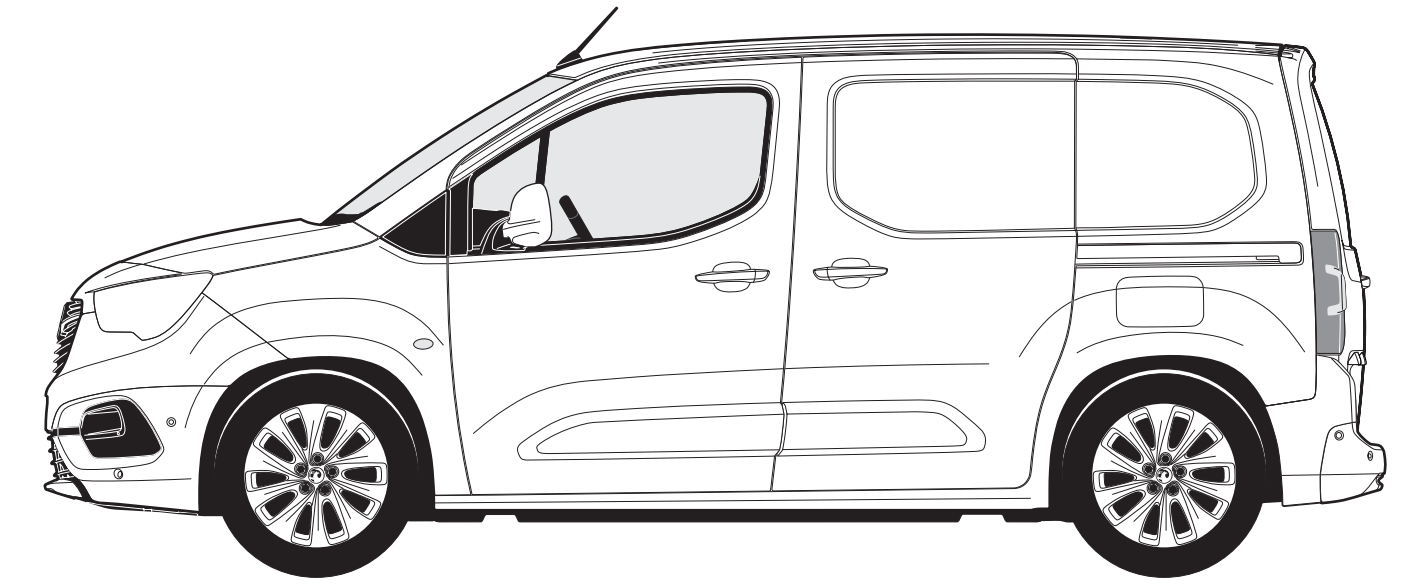


1848 (72.7) excluding door mirrors
2107 (83.0) including door mirrors



1848 (72.7) excluding door mirrors
2107 (83.0) including door mirrors

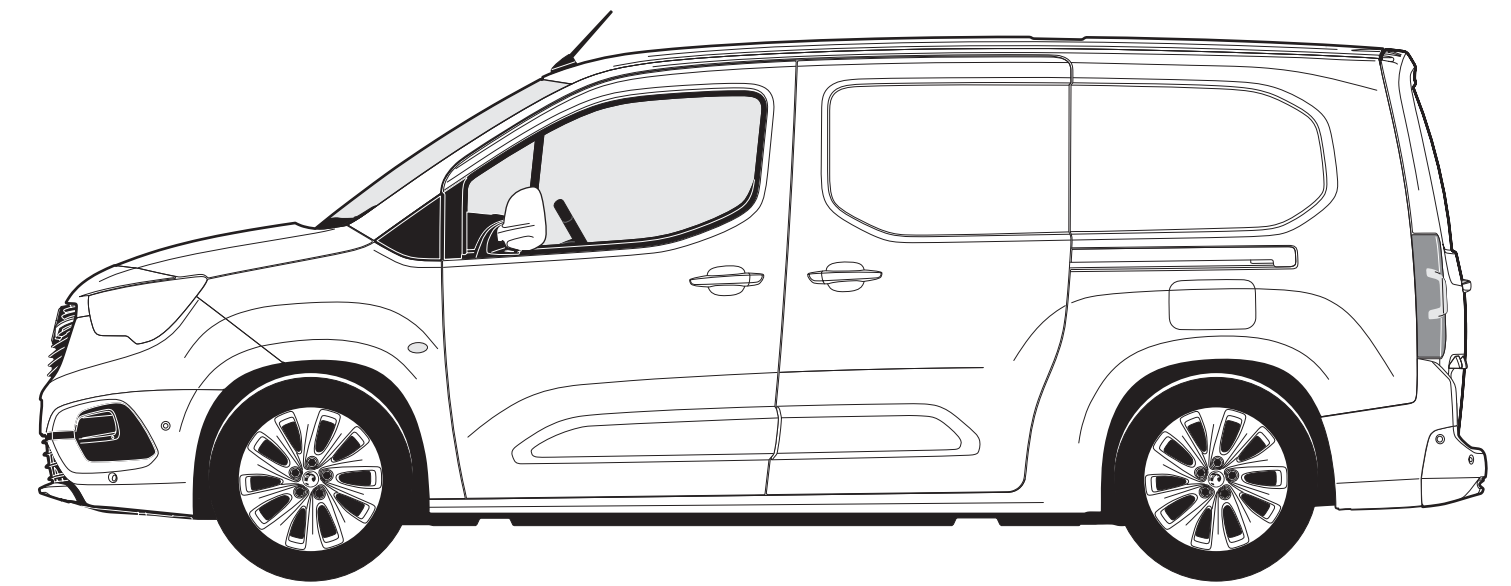
1796-1860 (70.7-73.2)



892 (35.1) 2785 (109.6) 726 (28.6)
4403 (173.3)

L1

1812-1860 (71.3-73.2)



892 (35.1) 2975 (117.1) 886 (34.9)
4753 (187.1)

L2

ACCESSORIES

| SAFETY | Total (exc. VAT) | PROTECTION | Total exc. VAT) | COMFORT | Total (exc. VAT) |
|--|------------------|---|-----------------|--|------------------|
| Safety kit (first aid kit, hi-vis vest and warning triangle) | £13 | Carpet mat set (front) | £47 | Smokers Pack | £17 |
| Warning triangle | £8 | Rubber mat set (front) | £44 | Cupholder organisers | £7-£8 |
| First aid kit | £13 | Splash guards (rear) | £81 | Fragrance diffuser | £20 |
| Hi-vis safety vest | | Rear window grilles (set of two) | £153 | Fragrance cartridge (various) | £15 |
| - Adult | £4 | Wooden floor protection | | | |
| - Child 3-6 years (42cm) | £3 | - L1 | £177 | TRANSPORT SOLUTIONS | |
| - Child 7-12 years (52cm) | £3 | Wooden side panel/wheel arch protection | | Roof base carrier ^{1,2} (set of 2 bars) for vehicles without roof rails | £150 |
| Emergency seat belt cutter and hammer | £16 | - L1 | £304 | Additional roof base carrier (1 bar) for vehicles without roof rails | £88 |
| Philips ADR620 dash cam | £91 | Wooden floor protection | | Roof base carrier ² (set of 2 bars) for vehicles with roof rails | £183 |
| Front parking sensors | £395 | - L2 | £212 | Aluminium roof rack (without roof rails) | |
| Rear parking sensors | £379 | Wooden side panel/wheel arch protection | | - L1 | £668 |
| Alarm system | £381 | - L2 | £321 | - L2 | £738 |
| Reinforced lock - Rear doors ¹ | £233 | Premium wooden floor protection | | Steel roof rack (without roof rails) | |
| Reinforced 3-point lock - Rear doors ¹ | £630 | - L1 | £235 | - L1 | £560 |
| Reinforced lock kit - Rear doors and 1 side sliding door ¹ | £386 | Premium wooden side panel/wheel arch protection | | - L2 | £640 |
| Reinforced lock kit - Rear doors and 2 side sliding doors ¹ | £1,232 | - L1 | £333 | Thule ladder tilt 311 | £511 |
| Fire extinguisher with strap - 1kg | £19 | Premium wooden floor protection | | Thule ladder holder 330 | £119 |
| Fire extinguisher with strap - 2kg | £27 | - L2 | £258 | Thule ladder roller 335 | £55 |
| Spare bulb kit | £59 | Premium wooden side panel/wheel arch protection | | Thule front load stop system (side profiles) | £130 |
| | | - L2 | £373 | Thule front load stop system 321 (front) | £83 |
| | | Polypro floor protection | | Thule ratchet tie down strap | £14 |
| | | - L1 | £257 | Thule fold down load stop 315 | £52 |
| | | Polypro side panel/wheel arch protection | | Thule square bar adapter | £18 |
| | | - L1 | £338 | | |
| | | Polypro floor protection | | | |
| | | - L2 | £303 | | |
| | | Polypro side panel/wheel arch protection | | | |
| | | - L2 | £350 | | |

Please note: Prices shown are fully fitted and painted, where applicable and exclude VAT. Please check with your local Vauxhall Retailer for details. It is advisable to ensure your insurance policy is adequate to cover additional fitted accessories. Prices correct at time of publication.

¹Not available on L2 Crew Van. ²A dedicated T-Track adapter (Thule 697-4 or Thule 697-6) is required for the installation of specific roof boxes.

GLOSSARY OF TERMS

Plated weight

The maximum weight to which a vehicle or an axle may be loaded, determined either by the design of the components or by legislation. All commercial vehicles must carry a manufacturer's 'plate' showing the vehicle and axle gross 'plated weights'. It is an offence to drive a vehicle in a condition where any of these weights are exceeded.

Minimum Mass

Minimum Mass ('Mass in running order' on Certificate of Conformity and 'Mass in Service' on V5C form) is defined according to European Type Approval and include all fluids, tools and 90% fuel load. It is minimum mass for this variant and does not consider local specification/trim or deletable options (specific to Movano). Weights are also subject to manufacturing tolerances (EU Legislation allows 5% tolerance).

Gross Vehicle Weight (GVW)

The total permissible weight of a vehicle including payload and passengers, as shown on the manufacturer's plate.

Gross Combination Weight (GCW)

The maximum permissible weight of a vehicle, including payload and passengers, combined with the total weight of any trailer it is towing. The maximum GCW weight limit is quoted on the vehicle plate and must not be exceeded.

Payload

The total permissible weight that can be carried without exceeding the vehicle's plated weight. Payload do not include driver but do take into consideration specification/trim level:

Weights are also subject to manufacturing tolerances (EU Legislation allows 5% tolerance). Payload does not consider any additional options that a customer may order.

Roof loads

- Combo roof load should not exceed 100kg including the weight of the roof rack/carrier
- Vivaro roof load should not exceed 170kg including the weight of the roof rack/carrier
- Movano roof load should not exceed 200kg (150kg on H1 models) including the weight of the roof rack/carrier. H3 are not permitted to carry roof loads

Maximum towing weight

The maximum weight of any trailer and its load which may be towed within the limit of the vehicle's plated Gross Combination Weight (GCW). It is based on the ability of the vehicle – at full GCW – to restart on a 12% gradient, which is approximately 1 in 8.3, at sea level. At altitudes above 1500 metres, the engine output may drop with a corresponding reduction in towing capability. It is the operator's responsibility to ensure that the trailer noseweight does not cause the rear axle plated weight of the towing vehicle to be exceeded.

Always fit Vauxhall towing attachments and accessories available from your Vauxhall Commercial Vehicle Retailer. They are designed specifically for Vauxhall models and carry a 12-month warranty.

Light Duty and Heavy Duty cycles

For a Light Duty cycle (EC regulation 715/2007 with designation 'Euro 6') the emissions of the whole vehicle are evaluated whereas for Heavy Duty cycle (EC regulation 595/2009 with designation 'Euro VI') only the engine is bench tested. The requirement of which cycle is necessary is determined by the reference mass of the vehicle. In the case of Movano, reference mass calculations dictate that:

- N1 FWD and M1 FWD are approved as Light Duty
- N1 RWD, N2 RWD and M2 FWD are approved as Heavy Duty

Conversions

With Vivaro a new conversion portal is introduced. This significantly improves the transparency and response of all communication with body-builders, and converters:

www.converters-and-groupe-psa.com

This website contains complete technical guidelines necessary to convert Vauxhall commercial vehicles – Combo (K9), Vivaro (K0) and Movano (X62). All vital and fundamental information is now located in one place:

- Conversion Guidelines
- Technical Data
- 3D CAD (coming)
- WLTP guidance
- Body shell ordering

Additionally there is a new Q&A service for technical questions, and the new conversion approval process will also be managed through this portal.

Any converter of Vauxhall product should create an account on this portal including those using IVA as approval process. In fact WLTP will make this necessary.

Commercial Vehicle Categories

Differences between M1/N1 and M2/N2 (Vehicles with GVW above 3500kg)

Category M: Passenger carriers

Category M1: Vehicles designed and constructed for the carriage of passengers and comprising no more than eight seats in addition to the driver's seat.

Category M2: Vehicles designed and constructed for the carriage of passengers, comprising more than eight seats in addition to the driver's seat, and having a maximum mass not exceeding 5 tonnes.

Category N: Goods vehicles

Category N1: Vehicles designed and constructed for the carriage of goods and having a maximum mass not exceeding 3.5 tonnes.

Category N2: Vehicles designed and constructed for the carriage of goods and having a maximum mass exceeding 3.5 tonnes but not exceeding 12 tonnes.

Specific differences, all M2/N2 require the following:

Speed limiter: All M2/N2 vehicles are legally required to be speed limited. M2 to 62mph and N2 to 56mph.

GLOSSARY OF TERMS

Driver licence: Commercial vehicles with GVW greater than 3.5 tonnes have different license requirements. For any new drivers C1 category is necessary. Under some circumstances (social purposes for a non-commercial body) it is possible to drive a minibus without a D1 entitlement (Minibus) however eligibility for this exemption should be confirmed with DVSA.

Driver CPC: Driver Certificate of Professional Competence mandates 35 hours of periodic training every 5 years to maintain licence (from September 2014).

Tachograph: It is a legal requirement to administer the activities of drivers subject to the EU or AETR drivers' hours rules, and also record the vehicle's speed, distance and time. A Smart Card is required for digital tachograph and these are available from the DVLA. The tachograph of a new vehicle must be calibrated within two weeks of first registration.

Operator's Licence: This may also be required to ensure that vehicles are kept safe and in good condition at all times. Specifically for M2, PSV (public service vehicle) operator's licence is required. Exemptions in some circumstances may be permitted but this should always be confirmed with DVSA.

MOT Testing: M2/N2 must be tested each year, and vehicle presented with a completed Certificate of Conformity (CoC). This is available from Vauxhall (regdata@gm.com) or from converter in case of second-stage conversion.

Conversions - WLTP

There is a mandatory CO₂ target that comes into effect in 2020. There are specific targets for both cars and light commercial vehicles. With respect to LCVs, Vauxhall will be responsible for the CO₂ of complete converted vehicle, and defined Maxi-Pollutant Values must be respected.

These values are:

- Mass in Running Order (kg)
- Frontal Surface (m²)
- Rolling Resistance Coefficient of tyres (kg/t)
- Air Inlet Surface to cool the engine (dm²)

Conversion Guidelines; Maxi-Pollutant Values and links to CO₂ calculator can all be found on the converter portal at www.converters-and-groupe-psa.com

Second-stage conversions based on a Euro 6D TEMP engine cannot be registered unless they have passed the CO₂ calculator. If Maxi-Pollutant values are not followed, then CO₂ calculation will fail and converted vehicle cannot be registered. It would be necessary then to change the conversion.

FURTHER INFORMATION

Vauxhall on-the-road recommended retail prices (RRP)

To eliminate uncertainty about hidden costs incurred when buying a new commercial vehicle, Vauxhall publishes on-the-road prices and these are shown in the pricing tables within this price guide. The prices shown are manufacturer's recommended retail prices (RRP) unless otherwise stated, exclusive of VAT (currently at a rate of 20% which may be payable). These prices include the recommended cost of number plates, delivery to a Vauxhall Retailer of £583.33 (£700.00 including VAT), 12 months' Government Vehicle Excise Duty* and the DVLA new vehicle first registration fee of £55.00*.

Please note: The RRP does not include fuel supplied by the Retailer, motor insurance or any other goods or services supplied by agreement between the Retailer and customer.

Price protection for all Vauxhalls

Order a new Vauxhall for build in the current model year (as confirmed by your Retailer) for delivery no more than three months in advance and the price you are quoted is the price you pay. This is irrespective of any subsequent price rises between placing your order and delivery of your new commercial vehicle, but you must take delivery as soon as the commercial vehicle is available. Vauxhall Motors Limited is not liable for price adjustments caused by Government changes in the rate of VAT (currently 20%), Vehicle Excise Duty, DVLA new vehicle first registration fee or by any other applicable legislation or regulations.

In the event of an accident...

Vauxhall Accident Management helps keep you mobile following an accident. Benefits include vehicle recovery, Vauxhall-approved repairs and contacting your insurer. For more details, visit www.vauxhall.co.uk/AccidentManagement

Vehicle Excise Duty

The amount of Vehicle Excise Duty (road fund licence) payable on new commercial vehicles varies depending on gross vehicle weight (GVW) and European standard emissions compliance, as shown below*.

| | |
|------------------|---------|
| Up to 3500kg GVW | £275.00 |
| Over 3500kg GVW | £165.00 |

*Correct at time of publication.

Customer Care Commitment

For added peace of mind, Vauxhall has an innovative Customer Care Commitment** that offers the following:

- Three-year vehicle warranty consisting of a one-year/unlimited mileage manufacturer's warranty and a second and third year manufacturer's warranty with a 60,000 miles (Combo) and 100,000 miles (Vivaro and Movano) limitation
- Vauxhall Assistance for 12 months from first registration
- Five years' body panel anti-perforation warranty

**Warranty is only on vehicles sourced from Vauxhall Motors Limited. Terms and conditions apply – please see your Vauxhall Retailer for details.

Vauxhall Assistance

Vauxhall Assistance is provided Automatically with every new Vauxhall Commercial Vehicle for 12 months from first registration and covers everything from accidents, mechanical breakdown to flat tyres. With Vauxhall Assistance help is literally just a free[†] phone call away, 24 hours a day, 365 days a year!

[†]Mobile phone users will be charged at their standard tariff.

Vauxhall Extended Warranty

For complete peace of mind Vauxhall offers an extended warranty that can be purchased on an annual basis following the expiry of the original new vehicle warranty. It covers most mechanical

and electrical components. Terms and conditions apply, for further details please contact your local Vauxhall Retailer.

Protecting the environment

Our products are increasingly winning environmental awards, both through the use of more recycled materials and by becoming cleaner and more efficient. For information on Vauxhall's efforts to achieve an environmentally sustainable future, including information on Design for Recycling, take-back of End-of-Life Vehicles (ELVs), and the recycling of ELVs, see www.vauxhall.co.uk/recycling

Van Business Centres

Keeping your van on the road. We know how important your van is to you, that's why we're geared up to minimise your downtime.

Our nationwide Van Business Centres provide fast, convenient value for money servicing, repairs and MOTs.

- All work is carried out by Vauxhall trained technicians using only genuine parts
- No appointments are required for diagnosis and we offer a 'while you wait' service

We have all the expertise required and will spare no effort to get you back in business as soon as possible.

Vauxhall Service Plan

Vauxhall Retailers offer a great service for owners of all Vauxhall vehicles. Value for money, regular offers and free check-ups, combined with the peace of mind that comes from using Vauxhall-trained technicians and genuine parts, help keep your vehicle in peak condition at all times. Every Vauxhall Retailer supports our customer promise:

We are Vauxhall experts

- Fully Vauxhall-trained technicians
- We use Vauxhall approved diagnostic equipment and specialist tools
- Full access to Vauxhall repair databases and technical centres

We are transparent

- Our invoicing will clearly set out the work at the price agreed with no hidden extras

We are never beaten on price

- We will match any written like for like service/repair quote from a local^{††} competitor using genuine repair methods and parts

We are convenient

- Flexible booking times to suit you
- 'One-stop shop' for every type of Vauxhall service
- While you wait facility on stocked tyres, batteries and exhausts
- Free courtesy vehicle or local collection with annual services and warranty work

We are thorough

- 25 point safety check with any workshop visit
- No obligation advice on essential and non-essential work
- Free check for safety enhancements and upgrades to your vehicle and software
- Free 'Wash and Vac' with every annual service
- Free fitting of wipers and external bulbs with annual services

^{††}A radius of five miles/20 minutes from your Vauxhall Retailer.

For more product information

For further information on the Vauxhall range or location of your nearest Vauxhall Retailer please call 0345 600 1500. Alternatively, details can be found on our website at www.vauxhall.co.uk

For more information call **0345 600 1500**

Discover the full Vauxhall range at **[vauxhall.co.uk](https://www.vauxhall.co.uk)**

Join us online

The invoice price, including delivery to Retailer, factory-fitted options, accessories fitted by the Retailer and number plates, is subject to VAT. Some feature descriptions in this guide may refer to, and some illustrations may show, optional equipment not included in the standard delivery. The information contained in this guide was accurate at the time of publication. We reserve the right to make changes in design and equipment. Please note that Vauxhall Retailers are not the agents of Vauxhall Motors Limited and are not authorised to bind Vauxhall Motors Limited by any specific or implied undertaking or representation. It is advisable to ensure that your motor insurance policy provides adequate cover for additional fitted options and accessories. The colours in this guide are only approximate actual colours. Illustrated optional equipment is available at extra charge. Availability, technical features and equipment provided on our vehicles can vary by model. For precise information on the equipment provided on our vehicles, please contact your local Vauxhall Retailer.

VAUXHALL

Price and Specification Guide
19 August 2021 | Model Year 2022A



Vivaro

Including Vivaro-e Range

CONTENTS

To find the information you want use the links below to navigate around the guide:

[Range Highlights](#)

[Models](#)

[Prices and Weights](#)

[Fuel Economy and Emissions](#)

[Features and Options](#)

[Exterior Colours](#)

[Wheels and Tyres](#)

[Specifications](#)

[Dimensions and Capacities](#)

[Accessories](#)

[Glossary of Terms](#)

[Further Information](#)

NEW VIVARO-E RANGE HIGHLIGHTS



VX_VIV_e_32018



VX_VIV_32762

DYNAMIC

OTR from £29,198.33*

Standard features include:

- Automatic transmission with e-toggle shift
- Electronic parking brake
- Electronic stability programme
- Traction control
- ABS with electronic brakeforce distribution
- Hill start assist
- Driver and front passengers' airbag
- Remote control central deadlocking
- Selective door locking
- Full-height steel bulkhead (Panel Van only)
- Six-way adjustable driver's seat with lumbar adjustment and armrest
- Dual front passengers' bench seat with underseat storage
- Multi-function trip computer
- 3.5-inch digital instrument cluster
- Cruise control with speed limiter
- Vauxhall Connect box
- Multimedia infotainment unit
- 7-inch colour touchscreen
- Digital radio/AM/FM stereo radio
- Bluetooth® connectivity
- Steering wheel mounted audio and phone controls
- Nearside and offside sliding side-access doors
- Twin solid rear doors
- Electrically operated front windows with one-touch facility
- Electrically adjustable/heated door mirrors
- Remote control security alarm system
- Driver drowsiness alert (based on driving time)
- Cab soundproofing
- Laminated acoustic windscreen
- Front fog lights
- Rear parking distance sensors
- Rain-sensitive windscreen wipers
- Automatic lighting control
- 16-inch steel wheels
- Steel spare wheel

ELITE

OTR from £37,548.33*

Features over Dynamic:

- FlexCargo load-through bulkhead (Panel Van only)
- Fold-flat centre seat backrest providing flat work surface
- Multimedia Navi Pro satellite navigation system
- 7-inch colour touchscreen
- 3.5-inch colour information display
- Head-up display
- Panoramic rear-view camera
- Body-colour front bumpers
- Body-colour rear bumpers (L1)
- Body-colour rear corner bumper with black centre section (L2)
- Chrome-effect front grille
- Front fog lights
- Rain-sensitive windscreen wipers
- Automatic lighting control
- LED daytime running lights
- Lane departure warning
- Speed sign recognition with intelligent speed adaptation
- Side blind spot alert
- Semi-adaptive cruise control
- Forward collision alert with Automatic emergency braking and pedestrian detection
- Electrically folding door mirrors
- Front and rear parking distance sensors
- 17-inch silver alloy wheels
- Two-coat metallic paint

Please note: Vivaro-e includes a regulatory sound up to 18mph. Above this speed, road noise is sufficient and it is not necessary to have additional sound to forewarn pedestrians.

*Price shown is after allowing for PiVG (Plug-in Van Grant) and excludes VAT.

VIVARO RANGE HIGHLIGHTS



VX_VIV_32017

DYNAMIC OTR from £26,598.33*

Standard features include:

- Hill start assist
- Driver and front passengers' airbag
- Remote control central deadlocking
- Selective door locking
- Full-height steel bulkhead (Panel Van only)
- Six-way adjustable driver's seat
- Dual front passengers' bench seat
- Multi-function trip computer
- Cruise control with speed limiter
- Vauxhall Connect
- Steering wheel mounted audio and phone controls
- Facia-mounted drinks holders
- Nearside and offside sliding side-access doors
- Twin solid rear doors
- Electrically operated front windows
- Electrically adjustable/heated door mirrors
- 16-inch steel wheels
- Steel spare wheel
- Remote control security alarm system
- Driver drowsiness alert (based on driving time)
- Cab soundproofing
- Multimedia infotainment unit
- 7-inch colour touchscreen
- Air conditioning
- Laminated acoustic windscreen
- Front fog lights
- Rear parking distance sensors
- Rain-sensitive windscreen wipers
- Automatic lighting control



VX_VIV_32763

SPORTIVE OTR from £27,758.33*

Features over Dynamic:

- FlexCargo load-through bulkhead (Panel Van only)
- Remote control security alarm system
- Driver drowsiness alert (based on driving time)
- Fold-flat centre seat backrest providing flat work surface
- Cab soundproofing
- Body-colour front bumpers
- Body-colour rear bumpers (L1)
- Body-colour rear corner bumper with black centre section (L2)
- Chrome-effect front grille
- LED daytime running lights
- 16-inch steel wheels with full-diameter wheel trims
- Two-coat metallic paint



VX_VIV_32764

ELITE OTR from £31,648.33*

Features over Sportive:

- Multimedia Navi Pro satellite navigation system
- Lane departure warning
- Speed sign recognition with intelligent speed adaptation
- Side blind spot alert
- Semi-adaptive cruise control
- Forward collision alert with Automatic emergency braking and pedestrian detection
- 3.5-inch colour information display
- Head-up display
- Panoramic rear-view camera
- Electrically folding door mirrors
- Front and rear parking distance sensors
- 17-inch silver alloy wheels

*OTR price excluding VAT.

NEW VIVARO-E DYNAMIC



VX_VIV_e_32018

L1 PANEL VAN ON-THE-ROAD PRICES

| | OTR RRP after PiVG exc. VAT* | Insurance Group |
|---|------------------------------|-----------------|
| 3100 100kw (136PS) auto – 50kWh battery | £29,198.33 | 38E |
| 3100 100kw (136PS) auto – 75kWh battery | £33,698.33 | 40E |

L2 PANEL VAN ON-THE-ROAD PRICES

| | | |
|---|-------------------|-----|
| 3100 100kw (136PS) auto – 50kWh battery | £30,348.33 | 38E |
| 3100 100kw (136PS) auto – 75kWh battery | £34,848.33 | 41E |

L1 PLATFORM CAB ON-THE-ROAD PRICES

| | | |
|--|----------------|---|
| 3100 100kW (136PS) auto – 50kW battery | From Q4 | - |
|--|----------------|---|

L2 PLATFORM CAB ON-THE-ROAD PRICES

| | | |
|--|----------------|---|
| 3100 100kW (136PS) auto – 75kW battery | From Q4 | - |
|--|----------------|---|

Please note: On-the-road recommended retail prices (RRP) include number plates and delivery to Retailer of £583.33 and new vehicle first registration fee of £55.00. Excludes fuel and insurance.

*Price shown is after allowing for PiVG (Plug-in Van Grant).

FEATURES

Infotainment:

- Multimedia audio system
 - 7-inch colour touchscreen
 - 3.5-inch digital instrument cluster
 - AM/FM/DAB digital radio
 - Bluetooth® audio streaming
 - Bluetooth® mobile phone portal
 - Apple CarPlay/Android Auto™
 - USB audio connection

Interior convenience/styling:

- Automatic transmission with e-toggle shift
- Electric parking brake
- Air conditioning
- Multi-function trip computer
- Cruise control with speed limiter
- Vauxhall Connect box
- Steering column mounted audio and phone controls
- Six-way adjustable driver's seat with lumbar adjustment and armrest
- Dual front passengers' bench seat with underseat storage

Exterior convenience/styling:

- Rear parking distance sensors
- Laminated acoustic windscreen
- Front fog lights
- High beam assist
- Daytime running lights
- Rain-sensitive windscreen wipers
- Electrically adjustable/heated door mirrors
- Electrically operated front windows
- Nearside and offside sliding side-access doors
- Twin solid rear doors
- Side-protection mouldings
- 16-inch steel wheels

Safety/security:

- Driver and front passengers' airbags
- Height-adjustable front lap and diagonal inertia-reel seatbelts
- Electronic stability programme with traction control
- Anti-lock braking system
- Full-height steel bulkhead
- Hill start assist
- Remote control central deadlocking
- Selective door locking
- Electronic engine deadlock immobiliser
- Remote control security alarm system

NEW VIVARO-E ELITE



VX_VIV_32762

L1 PANEL VAN ON-THE-ROAD PRICES

| | OTR RRP after PiVG exc. VAT* | Insurance Group |
|---|------------------------------|-----------------|
| 3100 100kw (136PS) auto – 75kWh battery | £37,548.33 | 41E |

L2 PANEL VAN ON-THE-ROAD PRICES

| | | |
|---|-------------------|-----|
| 3100 100kw (136PS) auto – 75kWh battery | £38,698.33 | 41E |
|---|-------------------|-----|

L2 DOUBLECAB ON-THE-ROAD PRICES

| | | |
|---|-------------------|-----|
| 3100 100kw (136PS) auto – 75kWh battery | £40,698.33 | 42E |
|---|-------------------|-----|

Please note: On-the-road recommended retail prices (RRP) include number plates and delivery to Retailer of £583.33, 12 months' Vehicle Excise Duty and new vehicle first registration fee of £55.00. Excludes fuel and insurance.

*Price shown is after allowing for PiVG (Plug-in Van Grant).

FEATURES

Infotainment:

- Multimedia Navi Pro
 - Fully integrated European sat nav system
 - 7-inch colour touchscreen
 - 3.5-inch digital instrument cluster
 - Voice control
 - AM/FM/DAB digital radio
 - Bluetooth® audio streaming
 - Bluetooth® mobile phone portal
 - USB audio connection
 - Second USB charging connection
 - Four speakers

Interior convenience/styling:

- Automatic transmission with e-toggle shift
- Leather-covered steering wheel
- Electric parking brake
- Air conditioning
- FlexCargo load-through bulkhead
- Multi-function trip computer
- Cruise control with speed limiter
- Vauxhall Connect box
- Steering column mounted audio and phone controls
- Six-way adjustable driver's seat with lumbar adjustment and armrest
- Dual front passengers' bench seat with underseat storage
- Three-individually contoured rear seats
 - Doublecab models

Please note: Doublecab rear seating is not equipped with ISOFIX child seat mountings.

Exterior convenience/styling:

- Front and rear parking distance sensors
- Heat-reflective/acoustic windscreen
- Body-colour front bumpers
- Body-colour rear bumpers (L1)
- Body-colour rear corner bumper with black centre section (L2)
- Chrome-effect front grille
- Front fog lights
- Rain-sensitive windscreen wipers
- Electrically adjustable/heated door mirrors

Exterior convenience/styling continued:

- Electrically folding door mirrors
- Electrically operated front windows with one-touch facility
- Nearside and offside sliding side-access doors
- Twin solid rear doors
- Side-protection mouldings
- 17-inch silver alloy wheels

Safety/security:

- Lane departure warning
- Speed sign recognition with intelligent speed adaptation
- Side blind spot alert
- Semi-adaptive cruise control
- Forward collision alert with Automatic emergency braking and pedestrian detection
- Head-up display
- Panoramic rear-view camera
- Driver drowsiness system
- Driver and front passengers' airbags
- Driver and front passengers' curtain and side-impact airbags – Doublecab model
- Height-adjustable front lap and diagonal inertia-reel seatbelts
- Electronic stability programme with traction control
- Anti-lock braking system
- Full-height steel bulkhead
- Full-height ABS plastic bulkhead with window
 - Doublecab models
- Hill start assist
- Daytime running lights
- Remote control central deadlocking
- Selective door locking
- Electronic engine deadlock immobiliser
- Remote control security alarm system

VIVARO DYNAMIC



VX_VIV_32017

L1 PANEL VAN ON-THE-ROAD PRICES

| | OTR RRP exc. VAT | Insurance Group |
|-----------------------------------|---------------------|--------------------|
| 2700 1.5 (100PS) Turbo D S/S | £26,598.33 | 34E |
| 2700 1.5 (120PS) Turbo D S/S | £27,298.33 | 35E |
| 2900 1.5 (100PS) Turbo D S/S | £27,098.33 | 35E |
| 3100 2.0 (145PS) Turbo D S/S | £27,798.33 | 39E |
| 3100 2.0 (145PS) Turbo D S/S auto | £29,598.33 | 39E |

L2 PANEL VAN ON-THE-ROAD PRICES

| | | |
|-----------------------------------|-------------------|-----|
| 2900 1.5 (100PS) Turbo D S/S | £28,658.33 | 36E |
| 3100 2.0 (145PS) Turbo D S/S | £27,498.33 | 39E |
| 3100 2.0 (145PS) Turbo D S/S auto | £30,498.33 | 40E |

L2 DOUBLECAB ON-THE-ROAD PRICES

| | | |
|------------------------------|-------------------|-----|
| 3100 2.0 (145PS) Turbo D S/S | £31,858.33 | 39A |
|------------------------------|-------------------|-----|

Please note: On-the-road recommended retail prices (RRP) include number plates and delivery to Retailer of £583.33, 12 months' Vehicle Excise Duty and new vehicle first registration fee of £55.00. Excludes fuel and insurance.

S/S = Start/Stop.

FEATURES

Infotainment:

- Multimedia audio system
 - 7-inch colour touchscreen
 - AM/FM/DAB digital radio
 - Bluetooth® audio streaming
 - Bluetooth® mobile phone portal
 - Apple CarPlay/Android Auto™
 - USB audio connection

Interior convenience/styling:

- Air conditioning
- Multi-function trip computer
- Cruise control with speed limiter
- Vauxhall Connect box
- Steering column mounted audio and phone controls
- Six-way adjustable driver's seat with lumbar adjustment and armrest
- Dual front passengers' bench seat with underseat storage

Exterior convenience/styling:

- Rear parking distance sensors
- Laminated acoustic windscreen
- Front fog lights
- High beam assist
- Daytime running lights
- Rain-sensitive windscreen wipers
- Electrically adjustable/heated door mirrors
- Electrically operated front windows
- Nearside and offside sliding side-access doors
- Twin solid rear doors
- Side-protection mouldings
- 16-inch steel wheels

Safety/security:

- Driver and front passengers' airbags
- Height-adjustable front lap and diagonal inertia-reel seatbelts
- Electronic stability programme with traction control
- Anti-lock braking system
- Full-height steel bulkhead
- Hill start assist
- Remote control central deadlocking
- Selective door locking
- Electronic engine deadlock immobiliser
- Remote control security alarm system

VIVARO SPORTIVE



VX_VIV_32763

L1 PANEL VAN ON-THE-ROAD PRICES

| | OTR RRP exc. VAT | Insurance Group |
|------------------------------|---------------------|--------------------|
| 2700 1.5 (100PS) Turbo D S/S | £27,758.33 | 35E |
| 2700 1.5 (120PS) Turbo D S/S | £28,458.33 | 36E |
| 2900 1.5 (100PS) Turbo D S/S | £28,258.33 | 39E |
| 3100 2.0 (145PS) Turbo D S/S | £28,958.33 | 39E |

L2 PANEL VAN ON-THE-ROAD PRICES

| | | |
|------------------------------|-------------------|-----|
| 2900 1.5 (100PS) Turbo D S/S | £28,658.33 | 36E |
| 3100 2.0 (145PS) Turbo D S/S | £29,858.33 | 39E |

Please note: On-the-road recommended retail prices (RRP) include number plates and delivery to Retailer of £583.33, 12 months' Vehicle Excise Duty and new vehicle first registration fee of £55.00. Excludes fuel and insurance.

S/S = Start/Stop.

FEATURES

Infotainment:

- Multimedia audio system
 - 7-inch colour touchscreen
 - AM/FM/DAB digital radio
 - Bluetooth® audio streaming
 - Bluetooth® mobile phone portal
 - Apple CarPlay/Android Auto™
 - Bluetooth® mobile phone portal
 - USB audio connection

Interior convenience/styling:

- Air conditioning
- FlexCargo load-through bulkhead
- Multi-function trip computer
- Cruise control with speed limiter
- Vauxhall Connect box
- Steering column mounted audio and phone controls
- Six-way adjustable driver's seat with lumbar adjustment and armrest
- Dual front passengers' bench seat with underseat storage
- Three-individually contoured rear seats
 - Doublecab models

Please note: Doublecab rear seating is not equipped with ISOFIX child seat mountings.

Exterior convenience/styling:

- Rear parking distance sensors
- Laminated acoustic windscreen
- Body-colour front bumpers
- Body-colour rear bumpers (L1)
- Body-colour rear corner bumper with black centre section (L2)
- Body-colour side-protection mouldings
- Body-colour door handles
- Chrome-effect front grille
- Front fog lights
- High beam assist
- LED daytime running lights
- Rain-sensitive windscreen wipers
- Electrically adjustable/heated door mirrors
- Electrically operated front windows
- Nearside and offside sliding side-access doors
- Twin solid rear doors
- Side-protection mouldings
- 16-inch steel wheels with full-diameter wheel trims

Safety/security:

- Driver and front passengers' airbags
- Driver and front passengers' curtain and side-impact airbags – Doublecab models
- Height-adjustable front lap and diagonal inertia-reel seatbelts
- Electronic stability programme with traction control
- Anti-lock braking system
- Full-height steel bulkhead – Panel Van
- Full-height ABS plastic bulkhead with window
 - Doublecab only
- Hill start assist
- Remote control central deadlocking
- Selective door locking
- Electronic engine deadlock immobiliser
- Remote control security alarm system

VIVARO ELITE



VX_VIV_32764

L1 PANEL VAN ON-THE-ROAD PRICES

| | OTR RRP exc. VAT | Insurance Group |
|-----------------------------------|---------------------|--------------------|
| 3100 2.0 (145PS) Turbo D S/S | £31,648.33 | 40E |
| 3100 2.0 (145PS) Turbo D S/S auto | £33,448.33 | 42E |

L2 PANEL VAN ON-THE-ROAD PRICES

| | | |
|------------------------------|-------------------|-----|
| 3100 2.0 (145PS) Turbo D S/S | £32,548.33 | 40E |
|------------------------------|-------------------|-----|

L2 DOUBLECAB ON-THE-ROAD PRICES

| | | |
|-----------------------------------|-------------------|-----|
| 3100 2.0 (145PS) Turbo D S/S | £35,648.33 | 40E |
| 3100 2.0 (145PS) Turbo D S/S auto | £37,448.33 | 42E |

Please note: On-the-road recommended retail prices (RRP) include number plates and delivery to Retailer of £583.33, 12 months' Vehicle Excise Duty and new vehicle first registration fee of £55.00. Excludes fuel and insurance.

S/S = Start/Stop.

FEATURES

Infotainment:

- Multimedia Navi Pro
 - Fully integrated European sat nav system
 - 7-inch colour touchscreen
 - Voice control
 - AM/FM/DAB digital radio
 - Bluetooth® audio streaming
 - Bluetooth® mobile phone portal
 - USB audio connection
 - Second USB charging connection
 - Four speakers

Interior convenience/styling:

- Air conditioning
- Leather-covered steering wheel
- FlexCargo load-through bulkhead
- Multi-function trip computer
- Cruise control with speed limiter
- Vauxhall Connect box
- Steering column mounted audio and phone controls
- Six-way adjustable driver's seat with lumbar adjustment and armrest
- Dual front passengers' bench seat with underseat storage
- Three-individually contoured rear seats
 - Doublecab models

Please note: Doublecab rear seating is not equipped with ISOFIX child seat mountings.

Exterior convenience/styling:

- Front and rear parking distance sensors
- Heat-reflective/acoustic windscreen
- Body-colour front bumpers
- Body-colour rear bumpers (L1)
- Body-colour rear corner bumper with black centre section (L2)
- Chrome-effect front grille
- Front fog lights
- Rain-sensitive windscreen wipers
- Electrically adjustable/heated door mirrors

Exterior convenience/styling continued:

- Electrically folding door mirrors
- Electrically operated front windows with one-touch facility
- Nearside and offside sliding side-access doors
- Twin solid rear doors
- Side-protection mouldings
- 17-inch silver alloy wheels

Safety/security:

- Lane departure warning
- Speed sign recognition with intelligent speed adaptation
- Side blind spot alert
- Semi-adaptive cruise control
- Forward collision alert with Automatic emergency braking and pedestrian detection
- 3.5-inch colour information display
- Head-up display
- Panoramic rear-view camera
- Driver drowsiness system
- Driver and front passengers' airbags
- Driver and front passengers' curtain and side-impact airbags - Doublecab model
- Height-adjustable front lap and diagonal inertia-reel seatbelts
- Electronic stability programme with traction control
- Anti-lock braking system
- Full-height steel bulkhead
- Full-height ABS plastic bulkhead with window
 - Doublecab models
- Hill start assist
- Daytime running lights
- Remote control central deadlocking
- Selective door locking
- Electronic engine deadlock immobiliser
- Remote control security alarm system

NEW VIVARO-E PANEL VAN PRICES/WEIGHTS

| | Pack Code | VCPS Code | Minimum Mass (kg)* | Maximum indicative payload (kg)* | Gross Vehicle Weights (GVW) (kg) | Plated weights (kg) | | Towing weights (kg) Braked | Plated Gross Combination Weights (GCW) (kg) | Price (£) exc. VAT | On-the-road RRP before PiVG (£) exc. VAT | On-the-road RRP after PiVG (£) exc. VAT |
|---|-----------|-----------|--------------------|----------------------------------|----------------------------------|---------------------|-----------|----------------------------|---|--------------------|--|---|
| | | | | | | Front axle | Rear axle | | | | | |
| L1 DYNAMIC PANEL VAN | | | | | | | | | | | | |
| 3100 100kw (136PS) auto – 50kWh battery | 8G05 9CQ2 | XiFD | 1874 | 1226 | 3100 | 1500 | 1800 | 1000 | 4100 | 34,560.00 | 35,198.33 | 29,198.33 |
| 3100 100kw (136PS) auto – 75kWh battery | 8G05 9DQ1 | XiFC | 2025 | 1000 | 3025 | 1500 | 1800 | 1000 | 4100 | 39,060.00 | 39,698.33 | 33,698.33 |
| L2 DYNAMIC PANEL VAN | | | | | | | | | | | | |
| 3100 100kw (136PS) auto – 50kWh battery | 8G05 9CQ2 | XiFE | 1902 | 1198 | 3100 | 1500 | 1800 | 1000 | 4100 | 35,710.00 | 36,348.33 | 30,348.33 |
| 3100 100kw (136PS) auto – 75kWh battery | 8G05 9DQ1 | XiFF | 2053 | 1002 | 3055 | 1500 | 1500 | 1000 | 4055 | 40,210.00 | 40,848.33 | 34,848.33 |
| L1 ELITE PANEL VAN | | | | | | | | | | | | |
| 3100 100kw (136PS) auto – 75kWh battery | 8H05 9DQ1 | XiFC | 2025 | 1000 | 3025 | 1500 | 1800 | 1000 | 4100 | 42,910.00 | 43,548.33 | 37,548.33 |
| L2 ELITE PANEL VAN | | | | | | | | | | | | |
| 3100 100kw (136PS) auto – 75kWh battery | 8H05 9DQ1 | XiFF | 2053 | 1002 | 3055 | 1500 | 1800 | 1000 | 4055 | 44,060.00 | 44,698.33 | 38,698.33 |
| L2 ELITE DOUBLECAB | | | | | | | | | | | | |
| 3100 100kw (136PS) auto – 75kWh battery** | 8HC5 9DQ1 | XiFF | 2113 | 987 | 3100 | 1500 | 1800 | 1000 | 4100 | 46,060.00 | 46,698.33 | 40,698.33 |
| L1 DYNAMIC PLATFORM CAB | | | | | | | | | | | | |
| 3100 100kW (136PS) auto – 50kW battery | 8F03 9CQ2 | XiFD | 1708 | 1392 | 3100 | 1500 | 1800 | 1000 | 4100 | 33,495.00 | 34,133.33 | N/A |
| L2 DYNAMIC PLATFORM CAB | | | | | | | | | | | | |
| 3100 100kW (136PS) auto – 75kW battery | 8F03 9DQ1 | XiFC | 1859 | 1241 | 3100 | 1500 | 1800 | 1000 | 4100 | 37,995.00 | 38,633.33 | N/A |

Please note: On-the-road recommended retail prices (RRP) include number plates and delivery to Retailer of £583.33 exc. VAT (£700.00 inc. VAT) and new vehicle first registration fee of £55.00 (correct at time of publication). Excludes fuel and insurance. Price has been calculated using manufacturer estimates and includes an OZEV grant of up to £6,000.00 which has been deducted from the price of the vehicle (OZEV Grant not available in the Isle of Man). The grant is a government incentive and is subject to withdrawal prior to delivery of your vehicle. Retailers may be required to carry out more than one credit check during the course of the order process. You may be required to place a deposit when placing your order with your supplying Retailer. In the event of a price change, deposit refunds will be governed by your supplying Retailer's policy and as such must be discussed with the supplying Retailer.

Gross plated weights (including axle weights) quoted on the vehicle plate are to UK plated weight specification and must never be exceeded. Unbraked towing weight 750kg – all models.

*Minimum Mass for standard vehicles will vary according to the vehicle specification (including trim, options and accessories) with a corresponding variation in payload.

**VAT reclaimable status requires a minimum 1-tonne payload for Doublecabs in accordance with HMRC guidance. Doublecabs with a payload of less than 1-tonne may be eligible for VAT reclaimable status, subject to further HMRC assessment. Customers are advised to consult their local HMRC office or visit <https://www.gov.uk/government/organisations/hm-revenue-customs> for further details in relation to VAT reclaimable status. Payload calculations should take into consideration local UK Specification and Trim Level. Ordered options may also impact payload.

VIVARO PANEL VAN PRICES/WEIGHTS

| | Pack Code | VCPS Code | Minimum Mass (kg)* | Maximum indicative payload (kg)* | Gross Vehicle Weights (GVW) (kg) | Plated weights (kg) | | Towing weights (kg) Braked | Plated Gross Combination Weights (GCW) (kg) | Price (£) exc. VAT | On-the-road RRP (£) exc. VAT |
|--|-----------|-----------|--------------------|----------------------------------|----------------------------------|---------------------|-----------|----------------------------|---|--------------------|------------------------------|
| | | | | | | Front axle | Rear axle | | | | |
| L1 DYNAMIC PANEL VAN EURO 6D (6.3) | | | | | | | | | | | |
| 2700 1.5 (100PS) Turbo D S/S | 8D05 i3L1 | XiFC | 1660 | 975 | 2635 | 1500 | 1500 | tba | tba | 25,685.00 | 26,598.33 |
| 2700 1.5 (120PS) Turbo D S/S | 8D05 i4L1 | XiFC | 1581 | 1079 | 2660 | 1500 | 1500 | tba | tba | 26,385.00 | 27,298.33 |
| 2900 1.5 (100PS) Turbo D S/S | 8D05 i3L2 | XiFD | 1660 | 1170 | 2830 | 1500 | 1800 | tba | tba | 26,185.00 | 27,098.33 |
| 3100 2.0 (145PS) Turbo D S/S | 8D05 MQP2 | XiFD | 1642 | 1458 | 3100 | 1500 | 1800 | tba | tba | 26,885.00 | 27,798.33 |
| 3100 2.0 (145PS) Turbo D S/S auto | 8D05 MK82 | XiFD | 1642 | 1458 | 3100 | 1500 | 1800 | tba | tba | 28,685.00 | 29,598.33 |
| L1 SPORTIVE PANEL VAN EURO 6D (6.3) | | | | | | | | | | | |
| 2700 1.5 (100PS) Turbo D S/S | 8C05 i3L1 | XiFC | 1660 | 975 | 2635 | 1500 | 1500 | tba | tba | 26,845.00 | 27,758.33 |
| 2700 1.5 (120PS) Turbo D S/S | 8C05 i4L1 | XiFC | 1581 | 1079 | 2660 | 1500 | 1500 | tba | tba | 27,545.00 | 28,458.33 |
| 2900 1.5 (100PS) Turbo D S/S | 8C05 i3L2 | XiFD | 1581 | 1079 | 2660 | 1500 | 1500 | tba | tba | 27,345.00 | 28,258.33 |
| 3100 2.0 (145PS) Turbo D S/S | 8C05 MQP2 | XiFD | 1642 | 1458 | 3100 | 1500 | 1800 | tba | tba | 28,045.00 | 28,958.33 |
| L1 ELITE PANEL VAN EURO 6D (6.3) | | | | | | | | | | | |
| 3100 2.0 (145PS) Turbo D S/S | 8E05 MQP2 | XiFD | 1642 | 1458 | 3100 | 1500 | 1800 | tba | tba | 30,735.00 | 31,648.33 |
| 3100 2.0 (145PS) Turbo D S/S auto | 8E05 MK82 | XiFD | 1682 | 1418 | 3100 | 1500 | 1800 | tba | tba | 32,535.00 | 33,448.33 |

S/S = Start/Stop.

Please note: On-the-road recommended retail prices (RRP) include number plates and delivery to Retailer of £583.33 exc. VAT (£700.00 inc. VAT), 12 months' Vehicle Excise Duty and new vehicle first registration fee of £55.00 (correct at time of publication). Excludes fuel and insurance.

Gross plated weights (including axle weights) quoted on the vehicle plate are to UK plated weight specification and must never be exceeded. Unbraked towing weight 750kg – all models.

*Minimum Mass for standard vehicles include coolant, oil and 90% full fuel tank. They will vary according to the vehicle specification (including trim, options and accessories) with a corresponding variation in payload.

VIVARO PANEL VAN PRICES/WEIGHTS

| | Pack Code | VCPS Code | Minimum Mass (kg)* | Maximum indicative payload (kg)* | Gross Vehicle Weights (GVW) (kg) | Plated weights (kg) | | Towing weights (kg) Braked | Plated Gross Combination Weights (GCW) (kg) | Price (£) exc. VAT | On-the-road RRP (£) exc. VAT |
|--|-----------|-----------|--------------------|----------------------------------|----------------------------------|---------------------|-----------|----------------------------|---|--------------------|------------------------------|
| | | | | | | Front axle | Rear axle | | | | |
| L2 DYNAMIC PANEL VAN EURO 6D (6.3) | | | | | | | | | | | |
| 2900 1.5 (100PS) Turbo D S/S | 8D05 i3L2 | XiFE | 1770 | 1060 | 2830 | 1500 | 1800 | tba | tba | 26,585.00 | 27,498.33 |
| 3100 2.0 (145PS) Turbo D S/S | 8D05 MQP2 | XiFE | 1685 | 1415 | 3100 | 1500 | 1800 | tba | tba | 27,785.00 | 28,698.33 |
| 3100 2.0 (145PS) Turbo D S/S auto | 8D05 MK82 | XiFE | 1695 | 1405 | 3100 | 1500 | 1800 | tba | tba | 29,585.00 | 30,498.33 |
| L2 SPORTIVE PANEL VAN EURO 6D (6.3) | | | | | | | | | | | |
| 2900 1.5 (100PS) Turbo D S/S | 8C05 i3L2 | XiFE | 1770 | 1060 | 2830 | 1500 | 1800 | tba | tba | 27,745.00 | 28,658.33 |
| 3100 2.0 (145PS) Turbo D S/S | 8C05 MQP2 | XiFE | 1685 | 1415 | 3100 | 1500 | 1800 | tba | tba | 28,945.00 | 29,858.33 |
| L2 ELITE PANEL VAN EURO 6D (6.3) | | | | | | | | | | | |
| 3100 2.0 (145PS) Turbo D S/S | 8E05 MQP2 | XiFE | 1685 | 1415 | 3100 | 1500 | 1800 | tba | tba | 31,635.00 | 32,548.33 |

S/S = Start/Stop.

Please note: On-the-road recommended retail prices (RRP) include number plates and delivery to Retailer of £583.33 exc. VAT (£700.00 inc. VAT), 12 months' Vehicle Excise Duty and new vehicle first registration fee of £55.00 (correct at time of publication). Excludes fuel and insurance.

Gross plated weights (including axle weights) quoted on the vehicle plate are to UK plated weight specification and must never be exceeded. Unbraked towing weight 750kg – all models.

*Minimum Mass for standard vehicles include coolant, oil and 90% full fuel tank. They will vary according to the vehicle specification (including trim, options and accessories) with a corresponding variation in payload.

VIVARO DOUBLECAB PRICES/WEIGHTS

| | Pack Code | VCPS Code | Minimum Mass (kg)* | Maximum indicative payload (kg)* | Gross Vehicle Weights (GVW) (kg) | Plated weights (kg) | | Towing weights (kg) Braked | Plated Gross Combination Weights (GCW) (kg) | Price (£) exc. VAT | On-the-road RRP (£) exc. VAT |
|---|-----------|-----------|--------------------|----------------------------------|----------------------------------|---------------------|-----------|----------------------------|---|--------------------|------------------------------|
| | | | | | | Front axle | Rear axle | | | | |
| L2 DYNAMIC DOUBLECAB EURO 6D (6.3) | | | | | | | | | | | |
| 3100 2.0 (145PS) Turbo D S/S | 8DC5 MQP2 | XiFE | 1770 | 1170 | 2940 | 1500 | 1800 | tba | tba | 30,945.00 | 31,858.33 |
| L2 ELITE DOUBLECAB EURO 6D (6.3) | | | | | | | | | | | |
| 3100 2.0 (145PS) Turbo D S/S | 8EC5 MQP2 | XiFE | 1695 | 1245 | 2940 | 1500 | 1800 | tba | tba | 34,735.00 | 35,648.33 |
| 3100 2.0 (145PS) Turbo D S/S auto | 8EC5 MK82 | XIFE | 1741 | 1259 | 3000 | 1500 | 1800 | tba | tba | 36,535.00 | 37,448.33 |

S/S = Start/Stop.

Please note: On-the-road recommended retail prices (RRP) include number plates and delivery to Retailer of £583.33 exc. VAT (£700.00 inc. VAT), 12 months' Vehicle Excise Duty and new vehicle first registration fee of £55.00 (correct at time of publication). Excludes fuel and insurance.

Gross plated weights (including axle weights) quoted on the vehicle plate are to UK plated weight specification and must never be exceeded. Unbraked towing weight 750kg – all models.

*Minimum Mass for standard vehicles include coolant, oil and 90% full fuel tank. They will vary according to the vehicle specification (including trim, options and accessories) with a corresponding variation in payload.

VIVARO FUEL ECONOMY/EMISSIONS

| | NEDC mpg (litres/100km) [#] | | WLTP Fuel economy mpg (litres/100km) ^{##} | | CO ₂ (g/km) ^{##} | |
|--|--------------------------------------|-------------------------------------|--|---------------|--------------------------------------|-----|
| | Combined | CO ₂ (g/km) [#] | Combined Low | Combined High | High | Low |
| L1 DYNAMIC PANEL VAN EURO 6D (6.3) | | | | | | |
| 2700 1.5 (100PS) Turbo D S/S | 57.6 (4.9) | 130 | 38.1 (7.4) | 44.8 (6.3) | 194 | 165 |
| 2700 1.5 (120PS) Turbo D S/S | 60.1 (4.7) | 125 | 36.5 (7.7) | 39.9 (7.1) | 177 | 159 |
| 2900 1.5 (100PS) Turbo D S/S | 56.5 (5.0) | 131 | 38.1 (7.4) | 44.8 (6.3) | 194 | 165 |
| 3100 2.0 (145PS) Turbo D S/S | - | 140 | 37.0 (7.6) | 41.9 (6.7) | 200 | 176 |
| 3100 2.0 (145PS) Turbo D S/S auto | - | 143 | 35.3 (8.0) | 40.9 (6.9) | 210 | 181 |
| L1 SPORTIVE PANEL VAN EURO 6D (6.3) | | | | | | |
| 2700 1.5 (100PS) Turbo D S/S | 57.6 (4.9) | 130 | 38.1 (7.4) | 44.8 (6.3) | 194 | 165 |
| 2700 1.5 (120PS) Turbo D S/S | 60.1 (4.7) | 125 | 36.5 (7.7) | 39.9 (7.1) | 177 | 159 |
| 2900 1.5 (100PS) Turbo D S/S | 60.1 (4.7) | 125 | 36.5 (7.7) | 39.9 (7.1) | 177 | 159 |
| 3100 2.0 (145PS) Turbo D S/S | - | 143 | 37.0 (7.6) | 41.9 (6.7) | 210 | 181 |
| L1 ELITE PANEL VAN EURO 6D (6.3) | | | | | | |
| 3100 2.0 (145PS) Turbo D S/S | - | 147 | 37.0 (7.6) | 41.9 (6.7) | 200 | 176 |
| 3100 2.0 (145PS) Turbo D S/S auto | - | 143 | 35.3 (8.0) | 40.9 (6.9) | 207 | 181 |

S/S = Start/Stop.

For fuel economy and CO₂ two sets of data are provided. All engines are validated to emissions standard Euro 6D (6.3) which uses the newer WLTP cycle. This cycle is intended to be a closer representation to economy achieved in the real world and is included for this transparency. NEDC figures are not from the older cycle but in fact are a derived back-correlation calculation from the WLTP test data. Some systems and protocols such as the 2020 CO₂ target will use this figure, and hence it is included for this, and also to enable comparison to outgoing models.

[#]Fuel consumption and CO₂ emission data are determined using the Worldwide harmonised Light vehicles Test Procedure (WLTP), and the relevant values are translated back to allow the comparability into NEDC, according to regulations R (EC) No. 715/2007, R (EU) No. 2017/1153 and R (EU) No. 2017/1151. The values do not take into account in particular use and driving conditions, equipment or options and may vary depending on the format of tyres. For more information on official fuel consumption and CO₂ emission values, please read the guidelines at <http://vanfueldata.dft.gov.uk/>

^{##}Provisional fuel consumption and CO₂ emission data are determined according to the WLTP test cycle. Full data relating to WLTP test cycles can be found at: www.vauxhall.co.uk/wltp

VIVARO FUEL ECONOMY/EMISSIONS

| | NEDC mpg (litres/100km) [#] | | WLTP Fuel economy mpg (litres/100km) ^{##} | | CO ₂ (g/km) ^{##} | |
|--|--------------------------------------|-------------------------------------|--|---------------|--------------------------------------|-----|
| | Combined | CO ₂ (g/km) [#] | Combined Low | Combined High | High | Low |
| L2 DYNAMIC PANEL VAN EURO 6D (6.3) | | | | | | |
| 2900 1.5 (100PS) Turbo D S/S | 55.3 (5.1) | 135 | 38.1 (7.4) | 44.8 (6.3) | 194 | 165 |
| 3100 2.0 (145PS) Turbo D S/S | - | 147 | 35.7 (7.9) | 40.9 (6.9) | 207 | 181 |
| 3100 2.0 (145PS) Turbo D S/S auto | - | 143 | 35.3 (8.0) | 40.9 (6.9) | 200 | 181 |
| L2 SPORTIVE PANEL VAN EURO 6D (6.3) | | | | | | |
| 2900 1.5 (100PS) Turbo D S/S | 55.3 (5.1) | 135 | 38.1 (7.4) | 44.8 (6.3) | 194 | 165 |
| 3100 2.0 (145PS) Turbo D S/S auto | - | 143 | 35.3 (8.0) | 40.9 (6.9) | 210 | 181 |
| L2 ELITE PANEL VAN EURO 6D (6.3) | | | | | | |
| 3100 2.0 (145PS) Turbo D S/S | - | 147 | 35.7 (7.9) | 40.9 (6.9) | 207 | 181 |

S/S = Start/Stop.

For fuel economy and CO₂ two sets of data are provided. All engines are validated to emissions standard Euro 6D (6.3) which uses the newer WLTP cycle. This cycle is intended to be a closer representation to economy achieved in the real world and is included for this transparency. NEDC figures are not from the older cycle but in fact are a derived back-correlation calculation from the WLTP test data. Some systems and protocols such as the 2020 CO₂ target will use this figure, and hence it is included for this, and also to enable comparison to outgoing models.

[#]Fuel consumption and CO₂ emission data are determined using the Worldwide harmonised Light vehicles Test Procedure (WLTP), and the relevant values are translated back to allow the comparability into NEDC, according to regulations R (EC) No. 715/2007, R (EU) No. 2017/1153 and R (EU) No. 2017/1151. The values do not take into account in particular use and driving conditions, equipment or options and may vary depending on the format of tyres. For more information on official fuel consumption and CO₂ emission values, please read the guidelines at <http://vanfueldata.dft.gov.uk/>

^{##}Provisional fuel consumption and CO₂ emission data are determined according to the WLTP test cycle. Full data relating to WLTP test cycles can be found at: www.vauxhall.co.uk/wltp

VIVARO FUEL ECONOMY/EMISSIONS

| | NEDC mpg (litres/100km) [#] | | WLTP Fuel economy mpg (litres/100km) ^{##} | | CO ₂ (g/km) ^{##} | |
|---|--------------------------------------|-------------------------------------|--|---------------|--------------------------------------|-----|
| | Combined | CO ₂ (g/km) [#] | Combined Low | Combined High | High | Low |
| L2 DYNAMIC DOUBLECAB EURO 6D (6.3) | | | | | | |
| 3100 2.0 (145PS) Turbo D S/S | - | 147 | 35.7 (7.9) | 40.9 (6.9) | 206 | 180 |
| L2 ELITE DOUBLECAB EURO 6D (6.3) | | | | | | |
| 3100 2.0 (145PS) Turbo D S/S | - | 147 | 35.7 (7.9) | 40.9 (6.9) | 207 | 181 |
| 3100 2.0 (145PS) Turbo D S/S auto | - | 143 | 35.3 (8.0) | 40.9 (6.9) | 210 | 181 |

S/S = Start/Stop.

For fuel economy and CO₂ two sets of data are provided. All engines are validated to emissions standard Euro 6D (6.3) which uses the newer WLTP cycle. This cycle is intended to be a closer representation to economy achieved in the real world and is included for this transparency. NEDC figures are not from the older cycle but in fact are a derived back-correlation calculation from the WLTP test data. Some systems and protocols such as the 2020 CO₂ target will use this figure, and hence it is included for this, and also to enable comparison to outgoing models.

[#]Fuel consumption and CO₂ emission data are determined using the Worldwide harmonised Light vehicles Test Procedure (WLTP), and the relevant values are translated back to allow the comparability into NEDC, according to regulations R (EC) No. 715/2007, R (EU) No. 2017/1153 and R (EU) No. 2017/1151. The values do not take into account in particular use and driving conditions, equipment or options and may vary depending on the format of tyres. For more information on official fuel consumption and CO₂ emission values, please read the guidelines at <http://vanfueldata.dft.gov.uk/>

^{##}Provisional fuel consumption and CO₂ emission data are determined according to the WLTP test cycle. Full data relating to WLTP test cycles can be found at: www.vauxhall.co.uk/wltp

FEATURES/OPTIONS

SAFETY

| | Option code | Dynamic | Sportive | Elite | Vivaro-e Dynamic | Vivaro-e Elite | Price (£) exc. VAT | Price (£) inc. VAT |
|---|-------------|---------|----------|-------|------------------|----------------|--------------------|--------------------|
| Driver Safety Pack <ul style="list-style-type: none"> • Semi-adaptive cruise control • Forward collision alert with Automatic emergency braking and pedestrian detection • 3.5-inch colour information display • Head-up display (Elite models only) – If ordered on Dynamic and Sportive models in combination with Multimedia Navi Pro, will also include head-up display. | B26 | ○ | | ● | ○ | ● | 990.00 | 1,188.00 |
| Airbag Driver and front passengers' airbag: <ul style="list-style-type: none"> • Front passengers' airbag with deactivation switch | | ● | ● | ● | ● | ● | | |
| <ul style="list-style-type: none"> • Driver and front passengers' curtain and side-impact airbags, front passenger's airbag with deactivation switch – Standard on Doublecab models. | AYO | ○ | ○ | ○ | ○ | ○ | 150.00 | 180.00 |
| Stability Electronic Stability Programme-plus (ESP-plus) with traction control – Works in conjunction with the vehicle's electronic braking and engine systems to keep the vehicle stable in many different situations. ESP monitors a variety of inputs to determine when the vehicle starts to lose traction, it can then immediately respond by varying the brake pressure between up to three wheels and adjust the engine output to help correct the loss of traction and improve stability. | | ● | ● | ● | ● | ● | | |
| Tyre Pressure <ul style="list-style-type: none"> • Tyre pressure monitoring system | UJO | ○ | ○ | ○ | ○ | ○ | 50.00 | 60.00 |
| Braking Four-channel Anti-lock Braking System (ABS) – Prevents the vehicle's wheels from locking up under heavy braking by momentarily reducing brake pressure at the appropriate wheel, ensuring that you can maintain control of the steering. Emergency brake assist – When emergency braking is detected the vehicle Automatically applies the maximum possible braking assistance. Electronic brakeforce distribution – Automatically apportions the optimum braking force to each wheel. Hill start assist – Briefly maintains rear brake pressure to stop the vehicle rolling back on an incline. | | ● | ● | ● | ● | ● | | |

● = Standard equipment. ○ = Optional at extra cost.

FEATURES/OPTIONS

SAFETY CONTINUED

| | Option code | Dynamic | Sportive | Elite | Vivaro-e Dynamic | Vivaro-e Elite | Price (£) exc. VAT | Price (£) inc. VAT |
|--|-------------|---------|----------|-------|------------------|----------------|--------------------|--------------------|
| Bulkhead • Full-height steel bulkhead without window – Standard on Panel Van. | | ● | | | ● | | | |
| • Full-height ABS plastic bulkhead with window – Doublecab only. | | ● | | ● | | ● | | |
| • Full-height steel bulkhead with window – Panel Van. | AX9 | ○ | ○ | ○ | ○ | ○ | 150.00 | 180.00 |
| FlexCargo load-through bulkhead – Panel Van only • Dual front passengers' seat • Load-through bulkhead | ATM | ○ | ● | ● | ○ | ● | 425.00 | 510.00 |

SECURITY

| | | | | | | | | |
|---|-----|---|---|---|---|---|--------|--------|
| Features • Electronic engine deadlock immobiliser • Steering column lock • Lockable fuel filler cap • Anti-theft spare wheel cradle | | ● | ● | ● | ● | ● | | |
| Remote control door locking (features depending on body type) • Remote control door locking • Two keys with integral remote • Door deadlocks • Selective door locking | | ● | ● | ● | ● | ● | | |
| Security alarm system • System monitors doors, tailgate, bonnet and the passenger compartment | | ● | ● | ● | ● | ● | | |
| Keyless open and start • Keyless open and start | ATH | ○ | | ○ | ○ | ○ | 200.00 | 240.00 |

● = Standard equipment. ○ = Optional at extra cost.

FEATURES/OPTIONS

DRIVER ASSISTANCE

| | Option code | Dynamic | Sportive | Elite | Vivaro-e Dynamic | Vivaro-e Elite | Price (£) exc. VAT | Price (£) inc. VAT |
|---|-------------|---------|----------|-------|------------------|----------------|--------------------|--------------------|
| Visibility Pack • Laminated acoustic windscreen • Rain-sensitive windscreen wipers • Automatic lighting control | | ● | ● | ● | ● | ● | | |
| Driver Assistance Pack • Lane departure warning • Speed sign recognition with intelligent speed adaptation • High beam assist • Driver drowsiness system • White text Instrument panel | E9A | ○ | | ● | ○ | ● | 320.00 | 384.00 |
| Multi-function trip computer • Trip odometer • Vehicle range based on remaining fuel • Average speed • Average fuel economy • Instantaneous fuel economy • Driving time | | ● | ● | ● | ● | ● | | |
| Parking assistance • Rear parking distance sensors | | ● | ● | | ● | | | |
| • Front and rear parking distance sensors • Side blind spot alert • Front fog lights • Electrically folding door mirrors | UD5 | ○ | | ● | ○ | ● | 400.00 | 480.00 |
| • Panoramic rear-view camera | UL3 | ○ | ○ | ● | ○ | ● | 700.00 | 840.00 |
| Cruise control, speed limiter | | ● | ● | ● | ● | ● | | |
| Instrumentation • Speedometer • Rev counter • Fuel gauge with low fuel warning light • Fuel economy gauge • Coolant temperature warning light | | ● | ● | ● | | | | |
| 3.5-inch digital instrument cluster | | | | | ● | ● | | |
| Electronic parking brake | | | | | ● | ● | | |
| 7.4kW single-phase on-board charger with 6m mode-3 7kW cable (added at POE) | | | | | ● | ● | | |
| 11kW three-phase on-board charger with mode-3 22kW cable (added at POE) | K29 | | | | ○ | ○ | 300.00 | 360.00 |

● = Standard equipment. ○ = Optional at extra cost.

FEATURES/OPTIONS

COMFORT

| | Option code | Dynamic | Sportive | Elite | Vivaro-e Dynamic | Vivaro-e Elite | Price (£) exc. VAT | Price (£) inc. VAT |
|---|-------------|---------|----------|-------|------------------|----------------|--------------------|--------------------|
| Features <ul style="list-style-type: none"> • Reach and rake-adjustable steering wheel • Facia-mounted gear lever • Floor-mounted handbrake lever • Inertia-reel lap and diagonal seatbelts • Height-adjustable outer front seatbelts • Cab headliner | | ● | ● | ● | ● | ● | | |

SEATING

| | | | | | | | | |
|--|-----|------|---|-----|------|-----|----------------|--|
| Driver's seat <ul style="list-style-type: none"> • Height • Reach • Backrest recline • Lumbar adjustment • Driver's seat armrest • Padded head restraint | | ● | ● | ● | ● | ● | | |
| Dual front passengers' seat with underseat storage <ul style="list-style-type: none"> • Fixed position bench seat and backrest • Height-adjustable padded head restraints | | ● | ● | ● | ● | ● | | |
| Single front passenger's seat <ul style="list-style-type: none"> • Reach • Backrest recline • Padded head restraint • Folding backrest • Passenger's seat armrest | AQR | N/C* | | N/C | N/C* | N/C | No-cost option | |
| Seat trim <ul style="list-style-type: none"> • Curitiba Tritone Grey cloth inert with Carla black vinyl side bolsters – Panel Van. | | ● | ● | ● | ● | ● | | |
| <ul style="list-style-type: none"> • Curitiba Tritone Grey cloth – Doublecab. | | | ● | ● | | ● | | |

REAR SEATING – DOUBLECAB

| | | | | | | | | |
|---|--|---|--|---|--|---|--|--|
| Doublecab second-row seating <ul style="list-style-type: none"> • Three-individually contoured rear seats – Not equipped with ISOFIX child seat mountings. • Inertia-reel lap and diagonal seatbelts • Folding seat/upper mesh bulkhead • Height-adjustable padded head restraint | | ● | | ● | | ● | | |
|---|--|---|--|---|--|---|--|--|

*Special build only, please consult your Retailer for details.

● = Standard equipment. N/C = No-cost option.

FEATURES/OPTIONS

CABIN STORAGE

| | Option code | Dynamic | Sportive | Elite | Vivaro-e Dynamic | Vivaro-e Elite | Price (£) exc. VAT | Price (£) inc. VAT |
|--|-------------|---------|----------|-------|------------------|----------------|--------------------|--------------------|
| Facia storage <ul style="list-style-type: none"> • Upper glovebox • Open lower glovebox with 12v socket and aux-in facility • Lower shelf • A4 storage compartment on top of facia • Open storage compartments in facia • Two drinks holders on top of facia • Storage pocket in front of gear lever | | ● | ● | ● | ● | ● | | |
| Front door pockets <ul style="list-style-type: none"> • Three separate compartments in each door | | ● | ● | ● | ● | ● | | |

INFOTAINMENT

| | | | | | | | | |
|---|-----|---|---|--|---|--|--------|--------|
| Multimedia Onboard features: <ul style="list-style-type: none"> • 7-inch colour touchscreen • AM/FM stereo radio with 25 Station presets • DAB Digital radio • RDS with Traffic Programme • 20 watts per channel output • Four speakers (eight on Doublecab models) Media connections: <ul style="list-style-type: none"> • USB connection with iPod control • Bluetooth® A2DP audio streaming (Advanced Audio Distribution Profile) Mobile phone portal: <ul style="list-style-type: none"> • Bluetooth® connectivity • Handsfree calls via steering wheel controls • Vehicle microphone • Phone book access – Contacts/last calls/missed calls etc. are mirrored on the display and are easily navigated using the touchscreen (features dependent on mobile phone) • Bluetooth® connectivity • Handsfree calls via steering wheel controls • Vehicle microphone Smartphone interface: <ul style="list-style-type: none"> • Apple CarPlay • Android Auto™ – Smartphone projection that allows operations via voice command, touchscreen and buttons to control apps and music playback. | i05 | ● | ● | | ● | | 400.00 | 480.00 |
|---|-----|---|---|--|---|--|--------|--------|

● = Standard equipment.

FEATURES/OPTIONS

INFOTAINMENT CONTINUED

| | Option code | Dynamic | Sportive | Elite | Vivaro-e Dynamic | Vivaro-e Elite | Price (£) exc. VAT | Price (£) inc. VAT |
|---|-------------|---------|----------|-------|------------------|----------------|--------------------|--------------------|
| <p>Multimedia Navi Pro</p> <p>Onboard features:</p> <ul style="list-style-type: none"> • 7-inch colour touchscreen • AM/FM stereo radio with 15 Station presets • DAB Digital radio • RDS with Traffic Programme • 20 watts per channel output • Four speakers (eight on Doublecab models) <p>Navigation features:</p> <ul style="list-style-type: none"> • Satellite navigation system • 3D street level mapping • European coverage • Structured or one-box destination entry • Points-of-interest search • Eco routing • Map updates via USB <p>Wi-fi enabled connected navigation features:</p> <ul style="list-style-type: none"> • Three years subscription to TomTom Live* • On-line navigation services provided by TomTom® include: • TomTom® live traffic updates • Local weather information • Nearby fuel station display • Local address search and contact info for points of interest <p>Media connections:</p> <ul style="list-style-type: none"> • USB connection with iPod control • Bluetooth® A2DP audio streaming (Advanced Audio Distribution Profile) <p>Mobile phone portal:</p> <ul style="list-style-type: none"> • Bluetooth® connectivity • Handsfree calls via steering wheel controls • Vehicle microphone • Phone book access – Contacts/last calls/missed calls etc. are mirrored on the display and are easily navigated using the touchscreen (features dependent on mobile phone). <p>Smartphone interface:</p> <ul style="list-style-type: none"> • Apple CarPlay • Android Auto™ – Smartphone projection that allows operations via voice command, touchscreen and buttons to control apps and music playback. <p>Vivaro-e shortcut key:</p> <p>Provides dedicated shortcut key for LEV-specific pages:</p> <ul style="list-style-type: none"> • Energy flow visualization • Energy stats visualization • Deferred charging options • Thermal pre-conditioning • Battery/range check | i06 | ○ | | ● | ○ | ● | 250.00 | 300.00 |
| <p>Additional features</p> <ul style="list-style-type: none"> • Steering column mounted audio controls • Flexible roof-mounted aerial | | ● | ● | ● | ● | ● | | |

*Additional terms and conditions apply to connected services, including customer acceptance of location sharing prior to activation.

● = Standard equipment. ○ = Optional at extra cost.

FEATURES/OPTIONS

INFOTAINMENT CONTINUED

| | Option code | Dynamic | Sportive | Elite | Vivaro-e Dynamic | Vivaro-e Elite | Price (£) exc. VAT | Price (£) inc. VAT |
|---|-------------|---------|----------|-------|------------------|----------------|--------------------|--------------------|
| <p>Vauxhall Connect</p> <p>e-Call and b-Call: Help when you need it, 24/7, 365 days a year, that's what you get with new Vauxhall Connect. In an emergency or breakdown, you'll be put in touch with a trained advisor, with just the touch of a button.</p> <p>Live navigation and more: You can also access live navigation services, receive regular vehicle diagnostic info plus there's a host of remote convenience features available through the MyVauxhall app.**</p> <p>Peace of mind:</p> <ul style="list-style-type: none"> • Emergency call, breakdown call and regular vehicle status and information • Convenience: remote functions (e.g. lock/unlock the door) • Our additional services for Vivaro-e: trip planning, remote settings or public charging solutions – we keep you going! <p>Smart driving:</p> <ul style="list-style-type: none"> • Enjoy a relaxed ride thanks to live navigation** and trip management | | ● | ● | ● | ● | ● | | |

**Services may require a subscription/fee and are subject to mobile network coverage and availability. Live navigation services are included for 3 years and thereafter are subject to an additional subscription fee.

● = Standard equipment.

FEATURES/OPTIONS

HEATING AND VENTILATION

| | Option code | Dynamic | Sportive | Elite | Vivaro-e Dynamic | Vivaro-e Elite | Price (£) exc. VAT | Price (£) inc. VAT |
|---|-------------|---------|----------|-------|------------------|----------------|--------------------|--------------------|
| Air conditioning • Air recirculation facility • Pollen filter • Illuminated controls • Chilled glovebox facility | | ● | ● | ● | ● | ● | | |
| Electronic climate control • LCD temperature display • Automatic air direction and fan speed with manual override • Illuminated controls • Pollen filter • Chilled glovebox facility | CJ2 | ○ | | ○ | ○ | ○ | 500.00 | 600.00 |

LOAD ACCESS

| | | | | | | | | |
|--|-----|---|---|---|---|---|--------|--------|
| Side access – Panel Van only Nearside and offside side-access door: • Nearside sliding side-access door • Offside sliding side-access door • Unglazed | | ● | ● | ● | ● | ● | | |
| Nearside and offside access Nearside and offside side-access door with fixed windows – Standard on Doublecab: • Fixed window to nearside side-access door • Fixed window to offside side-access door | 8P9 | ○ | ○ | ○ | ○ | ○ | 100.00 | 120.00 |
| Rear access Rear solid doors: • Twin rear doors • 90°/180° opening | | ● | ● | ● | ● | ● | | |
| Rear glazed doors: • Glazed rear doors • 90°/180° opening • Heated rear windows with wash/wipe facility | J1X | ○ | ○ | ○ | ○ | ○ | 200.00 | 240.00 |
| Tailgate: • Glazed tailgate • Heated rear windows with wash/wipe facility | J1U | ○ | ○ | ○ | ○ | ○ | 200.00 | 240.00 |

● = Standard equipment. ○ = Optional at extra cost.

FEATURES/OPTIONS

LOAD RESTRAINT

| | Option code | Dynamic | Sportive | Elite | Vivaro-e Dynamic | Vivaro-e Elite | Price (£) exc. VAT | Price (£) inc. VAT |
|--|-------------|---------|----------|-------|------------------|----------------|--------------------|--------------------|
| Load anchorage • Fixed floor-mounted load restraint lashing eyes – Six on L1 and 8 on L2 models. | | ● | ● | ● | ● | ● | | |
| Load lining • 6mm untreated wooden load side and wheel arch lining – Panel Van only. Not available when tailgate option(s) are specified. Includes 9mm wooden load floor (CRJ). | ERK | ○ | ○ | ○ | ○ | ○ | 480.00 | 576.00 |
| • 9mm coated anti-slip wooden load floor with aluminium rails | CR1 | ○ | ○ | ○ | ○ | ○ | 225.00 | 270.00 |

EXTERIOR LIGHTING

| | | | | | | | | |
|---|--|---|---|---|---|---|--|--|
| Standard lighting • Front fog lights • Lights-on audible warning • Reversing lights • Hazard warning lights • Rear fog lights • High-level brake light • Side-repeat indicators • Daytime running lights – LED on Sportive/Elite models. | | ● | ● | ● | ● | ● | | |
|---|--|---|---|---|---|---|--|--|

EXTERIOR CONVENIENCE/STYLING

| | | | | | | | | |
|--|--|---|---|---|---|---|--|--|
| Appearance Pack • Body-colour front bumper • Body-colour rear bumper (L1 models only) • Body-colour rear corner bumper with black centre section (L2) • Body-colour side-protection mouldings • Chrome-effect front grille • LED daytime running lights | | | ● | ● | | ● | | |
| Windows • Electrically operated front windows with one-touch up/down facility | | ● | ● | ● | ● | ● | | |
| Door mirrors • Foldable electrically adjustable/heated door mirrors | | ● | ● | ● | ● | ● | | |

NEW VIVARO-E FEATURES

TRANSMISSION

| | Vivaro-e Dynamic | Vivaro-e Elite |
|---|---------------------|-------------------|
| <p>Single-speed electronic drive selector</p> <p>All-electric single speed drive means there is no need for multiple gears. Instead the e-toggle enables the driver to select from the following:</p> <ul style="list-style-type: none"> • Park • Reverse • Neutral • Drive • Braking – for increased regenerative braking | ● | ● |
| <p>Drive mode selector</p> <p>The driver can determine the driving style through selecting one of the following modes:</p> <ul style="list-style-type: none"> • Power (136PS) – increased performance for use when transporting heavier loads • Normal (107PS) – optimised performance for normal daily use • Eco – (80PS) tailored to provide the lowest energy consumption | ● | ● |
| <p>Energy recuperation</p> <p>The regenerative braking system works when the van is in motion, energy created by the resistance of the brakes against the drivetrain is converted into DC voltage to partially recharge the battery. The driver can also engage braking mode through the drive selector to increase the level of energy recuperation.</p> <p>Single foot driving experience</p> <p>The system not only utilises the energy when the brakes are being used, but also engages when the vehicle is coasting, recovering more energy and enabling single foot driving as the brakes automatically engage when the throttle pedal is released.</p> | ● | ● |

FEATURES/OPTIONS



MECHANICAL

| | Option code | Dynamic | Sportive | Elite | Vivaro-e Dynamic | Vivaro-e Elite | Price (£) exc. VAT | Price (£) inc. VAT | | | | |
|--|-----------------|--------------|----------|-----------------|------------------|----------------|--------------------|--------------------|--|--|--|--|
| Transmission Six-speed manual gearbox: • Front-wheel drive • Transverse engine/gearbox | | ● | ● | ● | | | | | | | | |
| Eight-speed Automatic transmission • Front-wheel drive • Transverse engine/gearbox Replacing the traditional lever, the Automatic transmission selection-mode dial/drive wheel is an innovation solution that is both elegant and intuitive. By simply twisting the dial, the following modes can be selected: • Park, for when the vehicle is stationary and the wheels are locked • Drive, for Automatic forward motion • Neutral, for when the vehicle is stationary, wheels are free • Reverse, for Automatic backward motion For an extra experience of dynamism, the shift paddles for Automatic transmissions are located behind the steering wheel, offering drivers an extra level of control that is highly ergonomic and intuitive. The shift paddles function in the following way: • To go up a gear, the driver must pull the right lever towards themselves • To go down a gear, the driver must pull the left lever towards themselves – Please note: only consecutive gear changes are possible. | | ▲ | ▲ | ▲ | | | | | | | | |
| Steering • Hydraulic power-assisted rack and pinion system • Energy absorbing steering column | | ● | ● | ● | | | | | | | | |
| Turning circles <table border="1" style="display: inline-table; margin-left: 20px;"> <thead> <tr> <th></th> <th>Kerb-to-kerb</th> </tr> </thead> <tbody> <tr> <td>L1/L2</td> <td>12.4m (40.7ft.)</td> </tr> </tbody> </table> | | Kerb-to-kerb | L1/L2 | 12.4m (40.7ft.) | | ● | ● | ● | | | | |
| | Kerb-to-kerb | | | | | | | | | | | |
| L1/L2 | 12.4m (40.7ft.) | | | | | | | | | | | |
| Brakes Front ventilated disc brakes: • 304mm x 28mm Rear disc brakes: • 290mm x 12mm | | ● | ● | ● | | | | | | | | |
| Fuel tank • 70 litres (15.4 gallons) capacity | | ● | ● | ● | | | | | | | | |

● = Standard equipment. ▲ = See price page for details.

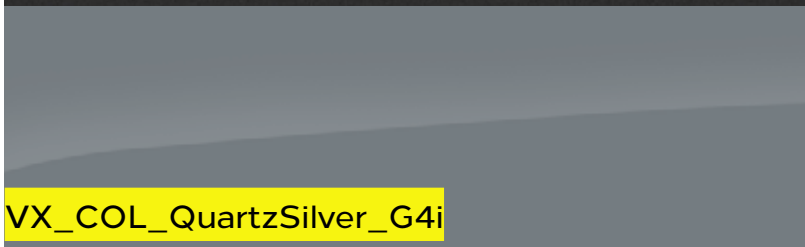
FEATURES/OPTIONS

MECHANICAL CONTINUED

| | Option code | Dynamic | Sportive | Elite | Vivaro-e Dynamic | Vivaro-e Elite | Price (£) exc. VAT | Price (£) inc. VAT |
|--|-------------|---------|----------|-------|------------------|----------------|--------------------|--------------------|
| AdBlue® tank • 22.5 litres (4.95 gallons) capacity | | ● | ● | ● | | | | |
| CANbus interface | WRF | ○ | ○ | ○ | | | 90.00 | 108.00 |
|  Tow bar • Removable monoblock towing ball with tool (ball) - Not available on Vivaro-e please refer to Accessories page for details of Retailer-fit Tow bars. | V76 | ○ | ○ | ○ | | | 300.00 | 360.00 |
|  Tow bar • Removable monoblock towing ball without tool - Not available on Vivaro-e please refer to Accessories page for details of Retailer-fit Tow bars. | VQ9 | ○ | ○ | ○ | | | 400.00 | 480.00 |

● = Standard equipment. ○ = Optional at extra cost.




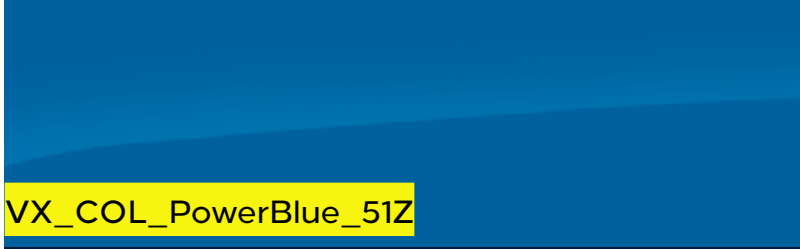
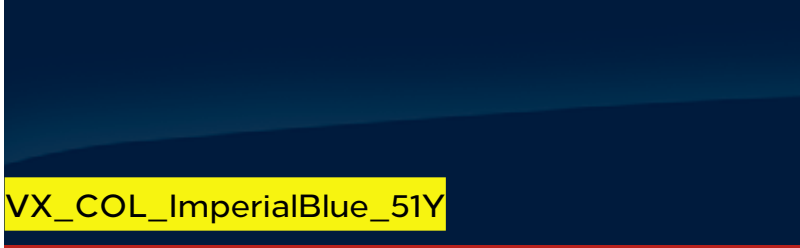





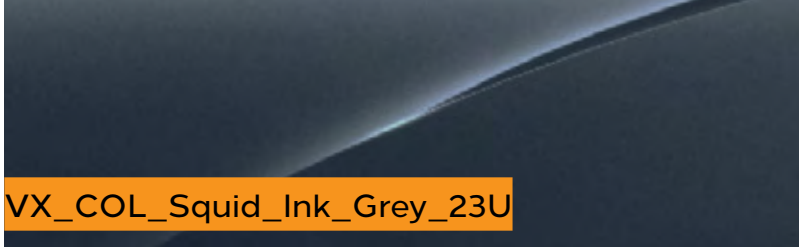
EXTERIOR COLOURS

| | | | Dynamic | Sportive | Elite | Vivaro-e Dynamic | Vivaro-e Elite | Price (£) exc. VAT | Price (£) inc. VAT |
|---|---|---|--|----------|-------|---------------------|-------------------|-----------------------|-----------------------|
| Solid |  | Jade White (G2o) VX_COL_White_Jade_G2o | ● | ● | ● | ● | ● | | |
| | Two-coat |  | Moonstone Grey metallic (G4o) VX_COL_MoonstoneGrey_G4o | | | | | | |
|  | | Quartz Silver metallic (G4i) VX_COL_QuartzSilver_G4i | ○ | N/C | N/C | ○ | N/C | 500.00 | 600.00 |
|  | | Diamond Black metallic (G7o) VX_COL_DiamondBlack_G7o | | | | | | | |

The colours reproduced may vary slightly from the actual paint colour. As a result they should be used as a guide only. Your Vauxhall Retailer has a comprehensive display of our paint samples.

● = Standard equipment. ○ = Optional at extra cost. N/C = No-cost option.

SPECIAL COLOURS




| | | Dynamic | Sportive | Elite | Vivaro-e Dynamic | Vivaro-e Elite | Price (£) exc. VAT | Price (£) inc. VAT |
|-----------------|--|---------|----------|-------|---------------------|-------------------|-----------------------|-----------------------|
| Special Colours |  <p>VX_COL_PostYellow_51P</p> <p>Post Yellow (GV4)</p> | | | | | | | |
| |  <p>VX_COL_PostRed_51T</p> <p>Post Red (GHU)</p> | | | | | | | |
| |  <p>VX_COL_GenetYellow(RAL1032)_51B</p> <p>Genet Yellow (GRT/RAL 1032)</p> | | | | | | | |
| |  <p>VX_COL_PowerBlue_51Z</p> <p>Power Blue (GRP)</p> | ○ | | | ○ | | 800.00 | 960.00 |
| |  <p>VX_COL_ImperialBlue_51Y</p> <p>Imperial Blue (GIB)</p> | | | | | | | |
| |  <p>VX_COL_FireRed(RAL3000)_51Q</p> <p>Fire Red (GRR/RAL 3000)</p> | | | | | | | |
| |  <p>VX_COL_GoldenYellow(RAL1004)_51A</p> <p>Golden Yellow (GRU/RAL 1004)</p> | | | | | | | |
| |  <p>VX_COL_FlameRed_79U</p> <p>Flaming Red (GEO)</p> | | | | | | | |
| |  <p>VX_COL_Beige_Tropic_GCL</p> <p>Beige Tropic (GCL/RAL 1015)</p> | | | | | | | |
| |  <p>VX_COL_Centrica_Blue_GRVY</p> <p>Sky Blue Centrica (GRV)</p> | | | | | | | |
| |  <p>VX_COL_Squid_Ink_Grey_23U</p> <p>Squid Ink Grey (23U)</p> | | | | | | | |

Additional lead-time for special paint will be confirmed at order placement (event 25). Consult Retailer for details.

The colours reproduced may vary slightly from the actual paint colour. As a result they should be used as a guide only. Your Vauxhall Retailer has a comprehensive display of our paint samples.


○ = **Optional at extra cost.**

WHEELS AND TYRES

| | Option code | Dynamic | Sportive | Elite | Vivaro-e Dynamic | Vivaro-e Elite | Price (£) exc. VAT | Price (£) inc. VAT |
|---|-------------|---------|----------|-------|------------------|----------------|--------------------|--------------------|
| Full-size spare wheel | | ● | ● | ● | ● | ● | | |
| Tyre inflation kit in lieu of spare wheel | KTi | N/C | N/C | N/C | N/C | N/C | No-cost option | |
|  <p>16-inch steel wheels with centre cap • 215/65 R 16 tyres</p> | | ● | | | ● | | | |
|  <p>16-inch steel wheels with full-diameter wheel trims • 215/65 R 16 tyres</p> | QP9 | N/C | ● | | N/C | | No-cost option | |
|  <p>17-inch silver alloy wheels • 215/60 R 17 tyres • Locking wheel bolts</p> | RVF | ○ | | ● | ○ | ● | 400.00 | 480.00 |

● = Standard equipment. ○ = Optional at extra cost. N/C = No-cost option.

WHEELS AND TYRES

| | Option code | Dynamic | Sportive | Elite | Vivaro-e Dynamic | Vivaro-e Elite | Price (£) exc. VAT | Price (£) inc. VAT |
|---|-------------|---------|----------|-------|------------------|----------------|--------------------|--------------------|
|  <p>17-inch steel wheels with full-diameter wheel trims • 215/60 R 17 tyres</p> <p>VX_VIV_29657</p> | RVE | O | | | | | 200.00 | 240.00 |

O = Optional at extra cost.

NEW VIVARO-E SPECIFICATIONS

DRIVETRAIN

| BATTERY ENERGY KWH | 50 | 75 |
|---------------------------------|---|---------|
| location | under load floor – no impact to loading volume | |
| CO ₂ emissions | 0g/km | 0g/km |
| EV range (WLTP Combined) miles* | 143 | 205 |
| Maximum power PS/kW | 136/100 | 136/100 |
| Maximum torque Nm/lb.ft | 260/192 | 260/192 |
| Maximum speed mph | 81 | 81 |
| Acceleration 0-62mph seconds | 13.1 | 14.3 |
| Battery warranty | 8 years 100,000 miles/70% capacity | |
| Service interval | Initial inspection at 12,500 miles/1 year (whichever comes sooner). Main service at 25,000 miles/2 year (whichever comes sooner) | |

Please note, EV range assumes that vehicle has been pre-conditioned prior to journey. This function can be accessed either via MyVauxhall App (standard with all Vivaro-e) or by using the Multimedia Navi Pro infotainment system (standard on Elite and optional on Dynamic).

CHARGING**

| Supply | AC Current | | DC Current | |
|---------------|---------------|----------------------------|---------------------------|---------------------------------|
| | Domestic 8amp | Wallbox 32amp Single-phase | Wallbox 16amp Three-phase | Rapid charge [†] 0-80% |
| | 1.8kWh | 7.4kWh | 11.kWh ^{††} | 100kWh |
| 50kWh battery | 28h | 7h 30m | 4h 45m | 30m |
| 75kWh battery | 42h | 11h 20m | 7h | 45m |

The Vivaro-e is fitted with a 7.4kW on-board charger as standard together with a mode-3 7kW 6m charging cable. An 11kW on-board charger is available as an extra cost option.

The charging flap's Padlock LED lights up when the cable is correctly plugged in and locked and then acts as a user interface to show the charging status via coloured LED lights:

- White – welcome light that helps to light up the area, especially useful in dark conditions
- Flashing green – charging in progress
- Solid green – charging complete
- Solid blue – delayed charging toggled; changes to flashing green when charging commences
- Solid red – malfunction

The driver may also choose from two settings:

- Immediate charging (the standard setting) – starts charging as soon as the vehicle is docked for charging
- Delayed charging – this is especially useful for when cheaper electric rates are desired, e.g. charging at night. Simply enter a charging start time

The Vivaro-e is a battery electric vehicle requiring mains electricity for charging. Range data given has been determined according to WLTP test procedure methodology. The figures shown are intended for comparability purposes only and should only be compared to other cars tested to the same technical standard. The range you achieve under real world driving conditions will depend upon a number of factors, including but not limited to: the accessories fitted (pre and post registration); charging frequency; personal driving style; vehicle payload and route characteristics; variations in weather; heating/air conditioning; pre-conditioning and battery condition. For more information, contact your local Vauxhall Retailer.

*WLTP figure includes 50% payload. Please note, EV range is achieved in 'normal' mode. 'Power' mode will decrease range and 'Eco' mode will extend range although power, torque and climate control are limited.

**Provisional data.

[†]You can obtain 0-80% of the vehicle charge in as low as 32 minutes from a 100kW rapid charging station. Rapid charging stations are widely available across the UK at various locations and their power rating varies, typically from 50kW and sometimes up to 350kW. The charging time may vary according to the type and power of the charging station, the outside temperature at the charging point and the battery temperature.

^{††}With optional 11kWh on-board charger.

DIESEL ENGINES

| Engine | 1.5 (100PS) Turbo D Start/Stop BlueInjection | 1.5 (120PS) Turbo D Start/Stop BlueInjection | 2.0 (145PS) Turbo D Start/Stop BlueInjection |
|---------------------|---|---|---|
| Capacity | 1499cc | 1499cc | 1997cc |
| Maximum power | 100PS (75kW) @ 3500rpm | 120PS (88kW) @ 3500rpm | 145PS (106kW) @ 3750rpm |
| Maximum torque | 270Nm (199 lb.ft.) @ 1600rpm | 300Nm (221 lb.ft.) @ 1750rpm | 340Nm (251 lb.ft.) @ 2000rpm |
| Configuration | 4 cylinders, 4 valves per cylinder, double overhead camshafts | 4 cylinders, 4 valves per cylinder, double overhead camshafts | 4 cylinders, 4 valves per cylinder, double overhead camshafts |
| Emission compliance | Euro 6D (6.3) | Euro 6D (6.3) | Euro 6D (6.3) |
| Service interval | 30,000 miles or 2 years (whichever occurs sooner) | 30,000 miles or 2 years (whichever occurs sooner) | 30,000 miles or 2 years (whichever occurs sooner) |

| Engine | 2.0 (145PS) Turbo D Start/Stop BlueInjection auto |
|---------------------|---|
| Capacity | 1997cc |
| Maximum power | 150PS (110kW) @ 3500rpm |
| Maximum torque | 370Nm (273 lb.ft.) @ 2000rpm |
| Configuration | 4 cylinders, 4 valves per cylinder, double overhead camshafts |
| Emission compliance | Euro 6D (6.3) |
| Service interval | 30,000 miles or 2 years (whichever occurs sooner) |

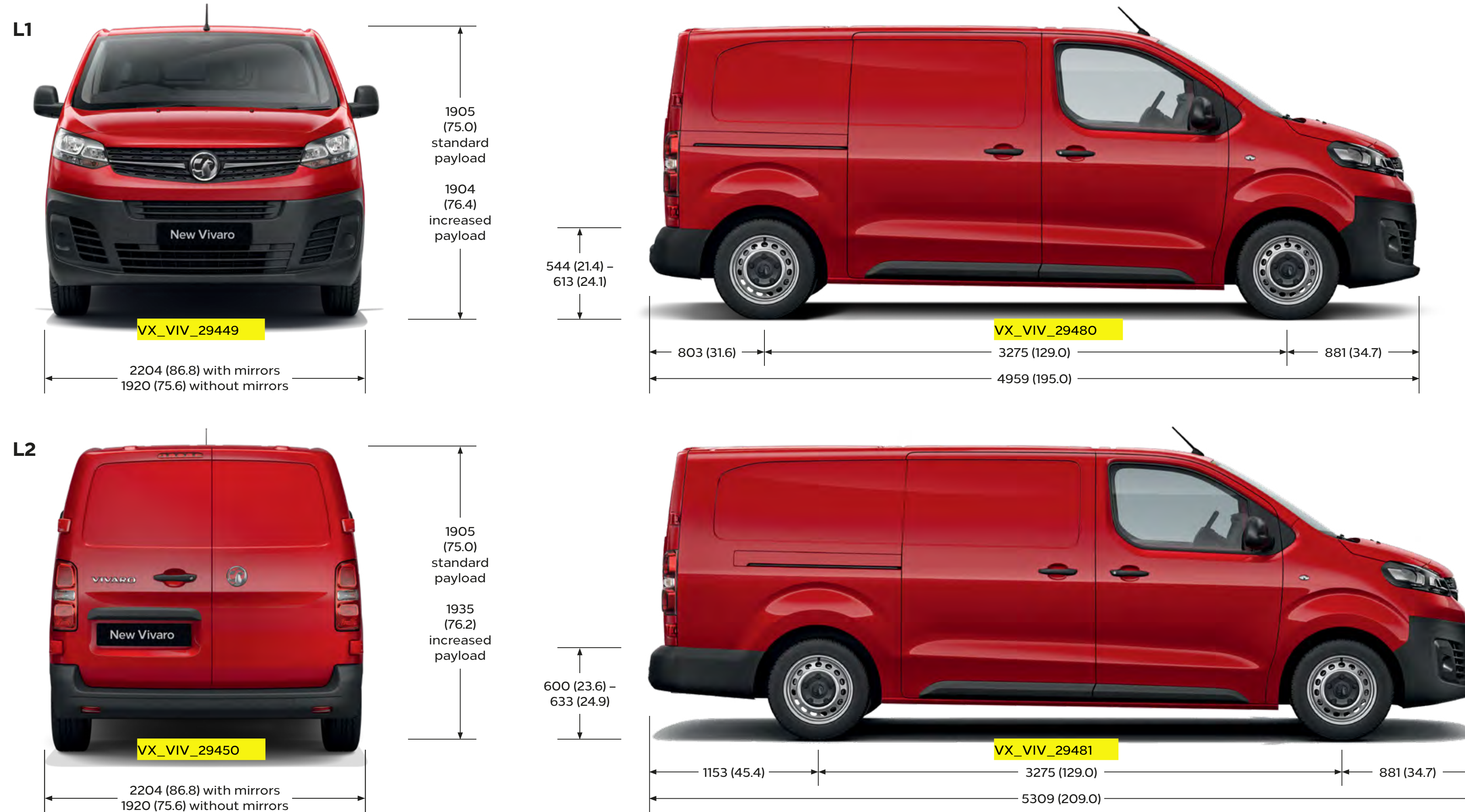
DIMENSIONS AND CAPACITIES

| Loadspace Dimensions | L1 | L2 |
|--|--------------|--------------|
| Maximum length at load floor – Panel Van | 2512 (98.9) | 2862 (112.7) |
| Mid-height load length – Panel Van | 2185 (86.0) | 2535 (99.8) |
| Maximum length with load-through facility maximum length to front footwell – Panel Van | 3674 (144.6) | 4024 (158.4) |
| Maximum length at load floor – Doublecab | 2017 (79.4) | 2365 (93.1) |
| Mid-height load length behind rear seats – Doublecab | 1352 (53.3) | 1700 (66.9) |
| Maximum length at load floor – Doublecab with folding bulkhead (bench seat down) | 2018 (79.5) | 2367 (93.2) |
| Maximum length at load floor – Doublecab with folding bulkhead (bench seat folded up) | 2029 (79.9) | 2376 (93.5) |
| Maximum width | 1636 (64.4) | 1636 (64.4) |
| Width between wheel arches | 1258 (49.5) | 1258 (49.5) |
| Maximum height | 1397 (55.0) | 1397 (55.0) |

| Loadspace Access | L1 | L2 |
|--|-------------|-------------|
| Side door aperture height | 1241 (48.8) | 1241 (48.8) |
| Side door aperture width | 935 (36.8) | 935 (36.8) |
| Rear door aperture height | 1220 (48.0) | 1220 (48.0) |
| Rear door aperture width | 1282 (50.5) | 1282 (50.5) |
| Loading height – Maximum | 613 (24.1) | 633 (24.9) |
| Loading height – Minimum | 544 (21.4) | 600 (23.6) |
| Loadspace Volumes cu.m (cu.ft.) | | |
| Panel Van | 5.3 (187.2) | 6.1 (215.4) |
| Panel Van with load-through facility | 5.8 (204.8) | 6.6 (233.1) |
| Doublecab | 3.2 (113.0) | 4.0 (141.3) |
| Doublecab with folding bulkhead | 4.7 (166.0) | 5.5 (194.2) |

EXTERIOR DIMENSIONS

All measurements are in mm (inches) unless stated otherwise.



Vivaro-e is the same dimensions as Vivaro with following differences only:

- Ground clearance + 20 mm versus diesel models
- Loading sill height @ kerbweight is similar to diesel models
- Loading sill height @ GVW + 20 mm versus diesel models

ACCESSORIES

| SAFETY | Total (exc. VAT) | INTERIOR PROTECTION | Total (exc. VAT) | TRANSPORT SOLUTIONS | Total (exc. VAT) | STYLE | Total (exc. VAT) |
|--|------------------|--|------------------|--|------------------|---|------------------|
| Safety kit (first aid kit, hi-vis vest and warning triangle) | £13 | Wooden floor protection – 2 sliding doors | | Aluminium roof bar single (2 or 3 needed) | £125 | 5 speed gear lever knob | |
| Warning triangle | £8 | – L1 | £288 | Steel roof rack | | – Black chrome/black leather | £63 |
| First aid kit | £13 | – L2 | £299 | – L1 | £1,078 | – Chrome/black leather | £63 |
| Hi-vis safety vest | | – L3 | £322 | – L2 | £1,160 | 6 speed gear lever knob | |
| – Adult | £4 | Wooden interior side protection – 2 sliding doors | | – L3 | £1,244 | – Satin chrome | £58 |
| – Child 3-6 years (42cm) | £3 | – L1 | £324 | Aluminium roof rack | | | |
| – Child 7-12 years (52cm) | £3 | – L2 | £369 | – L1 | £1,522 | ELECTRIC | |
| Emergency seat belt cutter and hammer | £16 | – L3 | £382 | – L2 | £1,693 | Mode 2 emergency charging cable (Type G - UK domestic plug) | £487 |
| Philips ADR620 dash cam | £91 | Wooden wheel arch protection | | – L3 | £1,792 | Mode 3 charging cable | |
| Front parking sensors | £325 | – L1/L2/L3 | £86 | Rear door aluminium ladder | £271 | – 7.4kW | £276 |
| Rear parking sensors | £339 | Premium wooden floor protection | | Roof carriers | | – 11kW | £309 |
| Front foglight kit | £460 | – 2 sliding doors | | Thule ladder tilt 311 | £511 | – 22kW | £365 |
| Alarm system ¹ | £381 | – L1 | £304 | Thule ladder holder 330 | £119 | Cable bag | £41 |
| Anti-lift module for alarm system | £120 | – L2 | £333 | Thule ladder roller 335 | £55 | Mode 2 universal charger UK kit (22kW) | £1,296 |
| VHF volumetric sensor for alarm system | £139 | – L3 | £371 | Thule front load stop system (side profiles) | £130 | Accessories for universal charger | |
| Fire extinguisher with strap | | Premium wooden interior side protection | | Thule front load stop system 321 (front) | £83 | – Wall bracket | £88 |
| – 1kg | £19 | – 2 sliding doors | | Thule ratchet tie down strap | £14 | – Bag | £54 |
| – 2kg | £27 | – L1 | £376 | Thule fold down load stop 315 | £52 | – Safety lock | £17 |
| COMFORT | | – L2 | £388 | Thule square bar adapter | £18 | – Adapter type 2 | £265 |
| Fragrance diffuser | £20 | – L3 | £452 | Towing | | – Adapter type 3c | £298 |
| Fragrance cartridge | £15 | Premium wooden wheel arch protection | | Tow bar with removable tow ball ³ | £392 | – Adapter (various) | £100 |
| Front wind deflectors | £69 | – L1/L2/L3 | £98 | Tow bar with removable swan's neck tow ball ³ | £276 | | |
| Cup holder organisers | £7-8 | Polypro floor protection – 2 sliding doors | | Tow bar without tow ball ³ | £276 | | |
| Smokers pack | £44 | – L1 | £362 | | | | |
| USB Charger – 2 front and 2 rear ports | £23 | – L2 | £391 | | | | |
| PROTECTION | | – L3 | £429 | | | | |
| All weather rubber front floor mat | £71 | Polypro Interior side protection – 2 sliding doors | | | | | |
| Seat covers | | – L1 | £376 | | | | |
| – Driver seat and single passenger seat | £146 | – L2 | £388 | | | | |
| Splash guards (set of 2) – Front | £53 | – L3 | £452 | | | | |
| Splash guards (set of 2) – Rear ² | £56 | Polypro wheel arch protection | | | | | |
| Rear bumper protector ² | £31 | – L1/L2/L3 | £98 | | | | |

Please note: Prices shown are fully fitted and painted, where applicable and exclude VAT. Please check with your local Vauxhall Retailer for details. It is advisable to ensure your insurance policy is adequate to cover additional fitted accessories. Prices correct at time of publication.

¹Additional parts may be required for fitting alarm system dependent on model. Please consult your local Vauxhall Retailer for details. ²Excludes L1. ³Additional fixing kit required for platform cab vehicles.

GLOSSARY OF TERMS

Plated weight

The maximum weight to which a vehicle or an axle may be loaded, determined either by the design of the components or by legislation. All commercial vehicles must carry a manufacturer's 'plate' showing the vehicle and axle gross 'plated weights'. It is an offence to drive a vehicle in a condition where any of these weights are exceeded.

Minimum Mass

Minimum Mass ('Mass in running order' on Certificate of Conformity and 'Mass in Service' on V5C form) is defined according to European Type Approval and include all fluids, tools and 90% fuel load. It is minimum mass for this variant and does not consider local specification/trim or deletable options (specific to Movano). Weights are also subject to manufacturing tolerances (EU Legislation allows 5% tolerance).

Gross Vehicle Weight (GVW)

The total permissible weight of a vehicle including payload and passengers, as shown on the manufacturer's plate.

Gross Combination Weight (GCW)

The maximum permissible weight of a vehicle, including payload and passengers, combined with the total weight of any trailer it is towing. The maximum GCW weight limit is quoted on the vehicle plate and must not be exceeded.

Payload

The total permissible weight that can be carried without exceeding the vehicle's plated weight. Payload do not include driver but do take into consideration specification/trim level:

Weights are also subject to manufacturing tolerances (EU Legislation allows 5% tolerance). Payload does not consider any additional options that a customer may order.

Roof loads

- Combo roof load should not exceed 100kg including the weight of the roof rack/carrier
- Vivaro roof load should not exceed 170kg including the weight of the roof rack/carrier
- Movano roof load should not exceed 200kg (150kg on H1 models) including the weight of the roof rack/carrier. H3 are not permitted to carry roof loads

Maximum towing weight

The maximum weight of any trailer and its load which may be towed within the limit of the vehicle's plated Gross Combination Weight (GCW). It is based on the ability of the vehicle – at full GCW – to restart on a 12% gradient, which is approximately 1 in 8.3, at sea level. At altitudes above 1500 metres, the engine output may drop with a corresponding reduction in towing capability. It is the operator's responsibility to ensure that the trailer noseweight does not cause the rear axle plated weight of the towing vehicle to be exceeded.

Always fit Vauxhall towing attachments and accessories available from your Vauxhall Commercial Vehicle Retailer. They are designed specifically for Vauxhall models and carry a 12-month warranty.

Light Duty and Heavy Duty cycles

For a Light Duty cycle (EC regulation 715/2007 with designation 'Euro 6') the emissions of the whole vehicle are evaluated whereas for Heavy Duty cycle (EC regulation 595/2009 with designation 'Euro VI') only the engine is bench tested. The requirement of which cycle is necessary is determined by the reference mass of the vehicle. In the case of Movano, reference mass calculations dictate that:

- N1 FWD and M1 FWD are approved as Light Duty
- N1 RWD, N2 RWD and M2 FWD are approved as Heavy Duty

Conversions

With Vivaro a new conversion portal is introduced. This significantly improves the transparency and response of all communication with body-builders, and converters:

www.converters-and-groupe-psa.com

This website contains complete technical guidelines necessary to convert Vauxhall commercial vehicles – Combo (K9), Vivaro (K0) and Movano (X62). All vital and fundamental information is now located in one place:

- Conversion Guidelines
- Technical Data
- 3D CAD (coming)
- WLTP guidance
- Body shell ordering

Additionally there is a new Q&A service for technical questions, and the new conversion approval process will also be managed through this portal.

Any converter of Vauxhall product should create an account on this portal including those using IVA as approval process. In fact WLTP will make this necessary.

Commercial Vehicle Categories

Differences between M1/N1 and M2/N2 (Vehicles with GVW above 3500kg)

Category M: Passenger carriers

Category M1: Vehicles designed and constructed for the carriage of passengers and comprising no more than eight seats in addition to the driver's seat.

Category M2: Vehicles designed and constructed for the carriage of passengers, comprising more than eight seats in addition to the driver's seat, and having a maximum mass not exceeding 5 tonnes.

Category N: Goods vehicles

Category N1: Vehicles designed and constructed for the carriage of goods and having a maximum mass not exceeding 3.5 tonnes.

Category N2: Vehicles designed and constructed for the carriage of goods and having a maximum mass exceeding 3.5 tonnes but not exceeding 12 tonnes.

Specific differences, all M2/N2 require the following:

Speed limiter: All M2/N2 vehicles are legally required to be speed limited. M2 to 62mph and N2 to 56mph.

GLOSSARY OF TERMS

Driver licence: Commercial vehicles with GVW greater than 3.5 tonnes have different license requirements. For any new drivers C1 category is necessary. Under some circumstances (social purposes for a non-commercial body) it is possible to drive a minibus without a D1 entitlement (Minibus) however eligibility for this exemption should be confirmed with DVSA.

Driver CPC: Driver Certificate of Professional Competence mandates 35 hours of periodic training every 5 years to maintain licence (from September 2014).

Tachograph: It is a legal requirement to administer the activities of drivers subject to the EU or AETR drivers' hours rules, and also record the vehicle's speed, distance and time. A Smart Card is required for digital tachograph and these are available from the DVLA. The tachograph of a new vehicle must be calibrated within two weeks of first registration.

Operator's Licence: This may also be required to ensure that vehicles are kept safe and in good condition at all times. Specifically for M2, PSV (public service vehicle) operator's licence is required. Exemptions in some circumstances may be permitted but this should always be confirmed with DVSA.

MOT Testing: M2/N2 must be tested each year, and vehicle presented with a completed Certificate of Conformity (CoC). This is available from Vauxhall (regdata@gm.com) or from converter in case of second-stage conversion.

Conversions - WLTP

There is a mandatory CO₂ target that comes into effect in 2020. There are specific targets for both cars and light commercial vehicles. With respect to LCVs, Vauxhall will be responsible for the CO₂ of complete converted vehicle, and defined Maxi-Pollutant Values must be respected.

These values are:

- Mass in Running Order (kg)
- Frontal Surface (m²)
- Rolling Resistance Coefficient of tyres (kg/t)
- Air Inlet Surface to cool the engine (dm²)

Conversion Guidelines; Maxi-Pollutant Values and links to CO₂ calculator can all be found on the converter portal at www.converters-and-groupe-psa.com

Second-stage conversions based on a Euro 6D TEMP engine cannot be registered unless they have passed the CO₂ calculator. If Maxi-Pollutant values are not followed, then CO₂ calculation will fail and converted vehicle cannot be registered. It would be necessary then to change the conversion.

FURTHER INFORMATION

Vauxhall on-the-road recommended retail prices (RRP)

To eliminate uncertainty about hidden costs incurred when buying a new commercial vehicle, Vauxhall publishes on-the-road prices and these are shown in the pricing tables within this price guide. The prices shown are manufacturer's recommended retail prices (RRP) unless otherwise stated, exclusive of VAT (currently at a rate of 20% which may be payable). These prices include the recommended cost of number plates, delivery to a Vauxhall Retailer of £583.33 (£700.00 including VAT), 12 months' Government Vehicle Excise Duty* and the DVLA new vehicle first registration fee of £55.00*.

Please note: The RRP does not include fuel supplied by the Retailer, motor insurance or any other goods or services supplied by agreement between the Retailer and customer.

Price protection for all Vauxhalls

Order a new Vauxhall for build in the current model year (as confirmed by your Retailer) for delivery no more than three months in advance and the price you are quoted is the price you pay. This is irrespective of any subsequent price rises between placing your order and delivery of your new commercial vehicle, but you must take delivery as soon as the commercial vehicle is available. Vauxhall Motors Limited is not liable for price adjustments caused by Government changes in the rate of VAT (currently 20%), Vehicle Excise Duty, DVLA new vehicle first registration fee or by any other applicable legislation or regulations.

In the event of an accident...

Vauxhall Accident Management helps keep you mobile following an accident. Benefits include vehicle recovery, Vauxhall-approved repairs and contacting your insurer. For more details, visit www.vauxhall.co.uk/AccidentManagement

Vehicle Excise Duty

The amount of Vehicle Excise Duty (road fund licence) payable on new commercial vehicles varies depending on gross vehicle weight (GVW) and European standard emissions compliance, as shown below*.

| | |
|------------------|---------|
| Up to 3500kg GVW | £275.00 |
| Over 3500kg GVW | £165.00 |

*Correct at time of publication.

Customer Care Commitment

For added peace of mind, Vauxhall has an innovative Customer Care Commitment** that offers the following:

- Three-year vehicle warranty consisting of a one-year/unlimited mileage manufacturer's warranty and a second and third year manufacturer's warranty with a 60,000 miles (Combo) and 100,000 miles (Vivaro and Movano) limitation
- Vauxhall Assistance for 12 months from first registration
- Five years' body panel anti-perforation warranty

**Warranty is only on vehicles sourced from Vauxhall Motors Limited. Terms and conditions apply – please see your Vauxhall Retailer for details.

Vauxhall Assistance

Vauxhall Assistance is provided automatically with every new Vauxhall for 12 months from first registration and covers everything from accident assistance, roadside recovery and 'at home' service to flat tyres. For even more peace of mind, on Vivaro-e models the cover is extended† to 8 years or 100,000 miles, whichever comes first. Even more reason for you to stay calm and let us take care of everything should the need arise. With Vauxhall Assistance help is literally just a free†† phone call away, 24 hours a day, 365 days a year

†Terms and conditions apply. Please click here for full terms and conditions. ††Mobile phone users will be charged at their standard tariff

Vauxhall Extended Warranty

For complete peace of mind Vauxhall offers an extended warranty that can be purchased on an annual basis following the expiry of the original new vehicle warranty. It covers most mechanical and electrical components. Terms and conditions apply, for further details please contact your local Vauxhall Retailer.

Protecting the environment

Our products are increasingly winning environmental awards, both through the use of more recycled materials and by becoming cleaner and more efficient. For information on Vauxhall's efforts to achieve an environmentally sustainable future, including information on Design for Recycling, take-back of End-of-Life Vehicles (ELVs), and the recycling of ELVs, see www.vauxhall.co.uk/recycling

Van Business Centres

Keeping your van on the road. We know how important your van is to you, that's why we're geared up to minimise your downtime.

Our nationwide Van Business Centres provide fast, convenient value for money servicing, repairs and MOTs.

- All work is carried out by Vauxhall trained technicians using only genuine parts
- No appointments are required for diagnosis and we offer a 'while you wait' service

We have all the expertise required and will spare no effort to get you back in business as soon as possible.

Vauxhall Service Plan

Vauxhall Retailers offer a great service for owners of all Vauxhall vehicles. Value for money, regular offers and free check-ups, combined with the peace of mind that comes from using Vauxhall-trained technicians and genuine parts, help keep your vehicle in peak condition at all times. Every Vauxhall Retailer supports our customer promise:

We are Vauxhall experts

- Fully Vauxhall-trained technicians
- We use Vauxhall approved diagnostic equipment and specialist tools
- Full access to Vauxhall repair databases and technical centres

We are transparent

- Our invoicing will clearly set out the work at the price agreed with no hidden extras

We are never beaten on price

- We will match any written like for like service/repair quote from a local‡ competitor using genuine repair methods and parts

We are convenient

- Flexible booking times to suit you
- 'One-stop shop' for every type of Vauxhall service
- While you wait facility on stocked tyres, batteries and exhausts
- Free courtesy vehicle or local collection with annual services and warranty work

We are thorough

- 25 point safety check with any workshop visit
- No obligation advice on essential and non-essential work
- Free check for safety enhancements and upgrades to your vehicle and software
- Free 'Wash and Vac' with every annual service
- Free fitting of wipers and external bulbs with annual services

‡A radius of five miles/20 minutes from your Vauxhall Retailer.

For more product information

For further information on the Vauxhall range or location of your nearest Vauxhall Retailer please call 0345 600 1500. Alternatively, details can be found on our website at www.vauxhall.co.uk

For more information call **0345 600 1500**

Discover the full Vauxhall range at **[vauxhall.co.uk](https://www.vauxhall.co.uk)**

Join us online

The invoice price, including delivery to Retailer, factory-fitted options, accessories fitted by the Retailer and number plates, is subject to VAT. Some feature descriptions in this guide may refer to, and some illustrations may show, optional equipment not included in the standard delivery. The information contained in this guide was accurate at the time of publication. We reserve the right to make changes in design and equipment. Please note that Vauxhall Retailers are not the agents of Vauxhall Motors Limited and are not authorised to bind Vauxhall Motors Limited by any specific or implied undertaking or representation. It is advisable to ensure that your motor insurance policy provides adequate cover for additional fitted options and accessories. The colours in this guide are only approximate actual colours.

Illustrated optional equipment is available at extra charge. Availability, technical features and equipment provided on our vehicles can vary by model. For precise information on the equipment provided on our vehicles, please contact your local Vauxhall Retailer.

VAUXHALL

Price and Specification Guide
29 July 2021 | Model Year 2022A



New Movano

Including Movano-e Range

Contents

To find the information you want use the links below to navigate around the guide:

[Choose Your Body Variant](#)

[Range Highlights](#)

[Models](#)

[Prices and Weights](#)

[Fuel Economy and Emissions](#)

[Options](#)

[Exterior Colours](#)

[Wheels and Tyres](#)

[Movano-e Specifications](#)

[Glossary of Terms](#)

[Further Information](#)

Choose Your Body Variant

Panel Van – L2 models



VX_MOV_32228

L2 H1 F3500



VX_MOV_32229

L2 H2 F3500

Panel Van – L3 models



VX_MOV_32233

L3 H2 F3500



VX_MOV_32233

L3 H2 F3500/F3500 Heavy



VX_MOV_32231

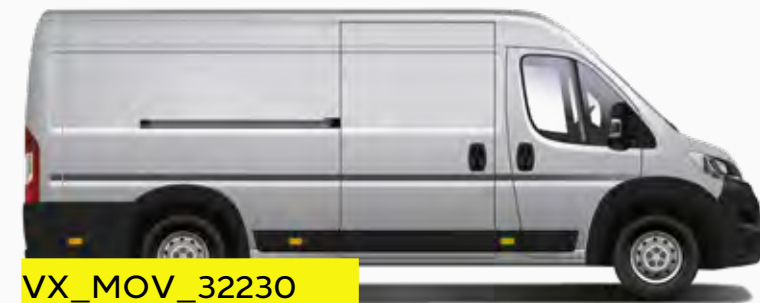
L3 H3 F3500

Panel Van – L4 models



VX_MOV_32230

L4 H2 F3500



VX_MOV_32230

L4 H2 F3500 Heavy/F4000 Heavy



VX_MOV_32232

L4 H3 F3500 Heavy

Chassis Cab



VX_MOV_32234

L2 H1 F3500



VX_MOV_32235

L3 H1 F3500

Crew Cab



VX_MOV_32236

L3 H1 F3500

New Movano Range Highlights

Edition

Standard features include:

- Radio
 - AM/FM/DAB digital radio
 - Bluetooth®
 - USB connection
 - Roof mounted aerial
- Vauxhall Connect
- 15-inch steel wheels with centre caps (3500 models)
- 16-inch steel wheels with centre caps (3500 Heavy/4000 models)
- Full-size spare wheel
- Side-repeat indicators
- Steering wheel mounted controls
- Steering column adjustable for reach
- Electronic cruise control with speed limiter
- Electrically adjustable/heated door mirrors with twin lenses
- Manually foldable door mirrors
- Electrically operated front windows
- Nearside sliding side-access door
- Twin unglazed rear doors
- Driver's airbag
- Electronic stability programme
- Remote control security alarm system
- Hill start assist
- Full-height steel bulkhead
- Daytime running lights
- Remote control central deadlocking
- Six-way adjustable driver's seat
- Dual passenger's bench seat
- Seatbelt unfastened warning
- Two cupholders/phone storage
- 12-volt accessory socket in cabin

New Movano-e Dynamic/Dynamic

Features over Edition models:

- Satellite Navigation system
 - 5-inch colour touchscreen
 - USB charger
- Air conditioning
- Rear parking distance sensors
- Glovebox including air-conditioning cooling functionality
- Document holder

Please note: Movano-e Dynamic models do not include Vauxhall Connect.

Edition Chassis/Chassis Crew Cab

Chassis Cab and Chassis Crew Cab models provide the perfect base for the forthcoming factory-backed conversions due to be announced in Q4: Tipper, Dropside, Luton Van and Curtainsider. They also provide an excellent base for a wide variety of specialist body conversions

Chassis Crew Cabs additionally feature:

- Four passenger rear bench seat with underseat storage

New Movano-e Dynamic



Dynamic OTR from £55,998.33*

Infotainment:

- Satellite Navigation system
 - 5-inch colour touchscreen
 - AM/FM/DAB digital radio
 - Bluetooth®
 - USB connection/charger
 - Roof mounted aerial

Interior convenience/styling:

- Air conditioning
- Six-way driver's seat with lumbar adjustment
- Driver's seat armrest
- Dual passenger's bench seat
- Glovebox including air-conditioning cooling functionality
- Document holder
- Electronic cruise control
- Speed limiter
- Steering wheel mounted controls
- Steering column adjustable for reach
- 12-volt accessory socket in cabin

Exterior convenience/styling:

- Rear parking distance sensors
- Electrically adjustable/heated door mirrors with twin lenses
- Manually foldable door mirrors
- Electrically operated front windows
- Nearside sliding side-access door
- Twin unglazed rear doors
- 16-inch steel wheels with centre caps
- Full-size spare wheel
- Side-repeat indicators

Safety/security:

- Remote control security alarm system
- Driver's airbag
- Electronic stability programme
- Hill start assist
- Full-height steel bulkhead
- Daytime running lights
- Remote control central deadlocking
- Seatbelt unfastened warning

New Movano Edition



VX_MOV_32200

Edition OTR from £31,668.33*

Infotainment:

- Radio
 - AM/FM/DAB digital radio
 - Bluetooth®
 - USB connection
 - Roof mounted aerial
- Vauxhall Connect

Interior convenience/styling:

- Six-way adjustable driver's seat
- Dual passenger's bench seat
- Electronic cruise control
- Steering wheel mounted controls
- Steering column adjustable for reach
- Two cupholders/phone storage
- 12-volt accessory sockets in cabin/load area

Exterior convenience/styling:

- Electrically adjustable/heated door mirrors with twin lenses
- Manually foldable door mirrors
- Electrically operated front windows
- Nearside sliding side-access door
- Twin unglazed rear doors
- 15-inch steel wheels with centre caps (3500 models)
- 16-inch steel wheels with centre caps (3500 Heavy/4000 models)
- Full-size spare wheel
- Side-repeat indicators

Safety/security:

- Remote control security alarm system
- Driver's airbag
- Electronic stability programme
- Hill start assist
- Full-height steel bulkhead
- Daytime running lights
- Remote control central deadlocking
- Seatbelt unfastened warning

Chassis Crew Cab OTR from £28,738.33*

Chassis Crew Cabs additionally feature:

- Four passenger rear bench seat with underseat storage

*OTR price excluding VAT.

New Movano Dynamic



VX_MOV_32197

Dynamic OTR from £33,498.33*

Infotainment:

- Satellite Navigation system
 - 5-inch colour touchscreen
 - AM/FM/DAB digital radio
 - Bluetooth®
 - USB connection/charger
 - Roof mounted aerial
- Vauxhall Connect

Interior convenience/styling:

- Air conditioning
- Six-way driver's seat with lumbar adjustment
- Driver's seat armrest
- Dual passenger's bench seat
- Glovebox including air-conditioning cooling functionality
- Document holder
- Electronic cruise control
- Speed limiter
- Steering wheel mounted controls
- Steering column adjustable for reach
- Two cupholders/phone storage
- 12-volt accessory sockets in cabin/load area

Exterior convenience/styling:

- Rear parking distance sensors
- Electrically adjustable/heated door mirrors with twin lenses
- Manually foldable door mirrors
- Electrically operated front windows
- Nearside sliding side-access door
- Twin unglazed rear doors
- 15-inch steel wheels with centre caps (3500 models)
- 16-inch steel wheels with centre caps (3500 Heavy/4000 models)
- Full-size spare wheel
- Side-repeat indicators

Safety/security:

- Remote control security alarm system
- Driver's airbag
- Electronic stability programme
- Hill start assist
- Full-height steel bulkhead
- Daytime running lights
- Remote control central deadlocking
- Seatbelt unfastened warning

*OTR price excluding VAT.

New Movano-e Panel Van Prices/Weights (Provisional data)

| | Model/ Pack Code | Orderable Option Code | Minimum Mass (kg)* | Maximum indicative payload (kg)* | Gross Vehicle Weights (GVW) (kg) | Plated weights (kg) | | Price (£) exc. VAT | On-the-road RRP before PiVG (£) exc. VAT | On-the-road RRP after PiVG (£) exc. VAT |
|--|---------------------|--------------------------|-----------------------|---|--|---------------------|--------------|-----------------------|---|--|
| | | | | | | Front axle | Rear axle | | | |
| L3 H2 FWD Dynamic Panel Van | | | | | | | | | | |
| 3500 90kW (120PS) auto Heavy – 70kWh battery | XG05 9DQ1 | IM5L G02 | 2760 | 740 | 3500 | 2100 | 2400 | 61,085.00 | 61,998.33 | 55,998.33 |
| L4 H2 FWD Dynamic Panel Van | | | | | | | | | | |
| 3500 90kW (120PS) auto Heavy – 70kWh battery | XG05 9DQ1 | IM7K G02 | 2855 | tba | 3500 | 2100 | 2400 | 61,985.00 | 62,898.33 | 56,898.33 |

Please note: On-the-road recommended retail prices (RRP) include number plates and delivery to Retailer of £583.33 exc. VAT (£700.00 inc. VAT) and new vehicle first registration fee of £55.00 (correct at time of publication). Excludes fuel and insurance. Price has been calculated using manufacturer estimates and includes an OZEV grant of up to £6,000.00 which has been deducted from the price of the vehicle (OZEV Grant not available in the Isle of Man). New Movano-e is expected to be a qualifying model for this grant subject to acceptance by OZEV. Please check with your Retailer for latest status. The grant is a government incentive and is subject to withdrawal prior to delivery of your vehicle. Retailers may be required to carry out more than one credit check during the course of the order process. You may be required to place a deposit when placing your order with your supplying Retailer. In the event of a price change, deposit refunds will be governed by your supplying Retailer's policy and as such must be discussed with the supplying Retailer.

*For definitions please refer to Glossary of Terms. Gross plated weights (including axle weights) quoted on the vehicle plate are to UK plated weight specification and must never be exceeded.

Movano-e is not covered by our Price Protection Guarantee. See 'Further Information' page for details.

New Movano Panel Van Prices/Weights (Provisional data)

| | Model/ Pack Code | Orderable Option Code | Minimum Mass (kg)* | Maximum indicative payload (kg)* | Gross Vehicle Weights (GVW) (kg) | Plated weights (kg) | | Towing weights (kg) Braked | Plated Gross Combination Weights (GCW) (kg) | Price (£) exc. VAT | On-the-road RRP (£) exc. VAT |
|--|---------------------|--------------------------|-----------------------|---|--|---------------------|--------------|----------------------------------|--|-----------------------|------------------------------------|
| | | | | | | Front axle | Rear axle | | | | |
| L2 H1 FWD Edition Panel Van Euro 6D (6.3) | | | | | | | | | | | |
| 3500 2.2 (140PS) Turbo D | XA05 PQ61 | IM3F G01 | 2133 | 1570 | 3500 | 1870 | 2000 | 2500 | 6000 | 30,755.00 | 31,668.33 |
| L2 H2 FWD Edition Panel Van Euro 6D (6.3) | | | | | | | | | | | |
| 3500 2.2 (140PS) Turbo D S/S | XA05 PQ61 | IM3K G01 | 2138 | 1545 | 3500 | 1870 | 2000 | 2500 | 6000 | 31,555.00 | 32,468.33 |
| L2 H2 FWD Dynamic Panel Van Euro 6D (6.3) | | | | | | | | | | | |
| 3500 2.2 (140PS) Turbo D S/S | XA05 PQ61 | IM3K G02 | 2138 | 1545 | 3500 | 1870 | 2000 | 2500 | 6000 | 32,585.00 | 33,498.33 |
| L3 H2 FWD Edition Panel Van Euro 6D (6.3) | | | | | | | | | | | |
| 3500 2.2 (140PS) Turbo D S/S | XA05 PQ61 | IM5K G01 | 2188 | 1495 | 3500 | 1870 | 2000 | 2500 | 6000 | 32,355.00 | 33,268.33 |
| 3500 2.2 (140PS) Turbo D S/S Heavy | XA05 PQ61 | IM5L G01 | 2228 | 1455 | 3500 | 2100 | 2400 | 3000 | 6500 | 32,655.00 | 33,568.33 |
| L3 H2 FWD Dynamic Panel Van Euro 6D (6.3) | | | | | | | | | | | |
| 3500 2.2 (140PS) Turbo D S/S | XA05 PQ61 | IM5K G02 | 2188 | 1495 | 3500 | 1870 | 2000 | 2500 | 6000 | 33,385.00 | 34,298.33 |
| 3500 2.2 (140PS) Turbo D S/S Heavy | XA05 PQ61 | IM5L G02 | 2228 | 1455 | 3500 | 2100 | 2400 | 3000 | 6500 | 33,685.00 | 34,598.33 |
| 3500 2.2 (165PS) Turbo D S/S | XA05 PR61 | IM5K G02 | 2188 | 1495 | 3500 | 1870 | 2000 | 2500 | 6000 | 34,295.00 | 35,208.33 |
| L3 H3 FWD Edition Panel Van Euro 6D (6.3) | | | | | | | | | | | |
| 3500 2.2 (140PS) Turbo D S/S | XA05 PQ61 | IM5N G01 | 2213 | 1470 | 3500 | 1870 | 2000 | 2500 | 6000 | 33,155.00 | 34,068.33 |
| L3 H3 FWD Dynamic Panel Van Euro 6D (6.3) | | | | | | | | | | | |
| 3500 2.2 (140PS) Turbo D S/S | XA05 PQ61 | IM5N G02 | 2213 | 1470 | 3500 | 1870 | 2000 | 2500 | 6000 | 34,185.00 | 35,098.33 |
| L4 H2 FWD Dynamic Panel Van Euro 6D (6.3) | | | | | | | | | | | |
| 3500 2.2 (140PS) Turbo D S/S Heavy | XA05 PQ61 | IM7L G02 | 2273 | 1410 | 3500 | 2100 | 2400 | 3000 | 6500 | 34,485.00 | 35,398.33 |
| 4000 2.2 (140PS) Turbo D S/S Heavy | XA05 PQ61 | IM7M G02 | 2273 | 1910 | 4000 | 2100 | 2400 | 2500 | 6500 | 35,845.00 | 36,648.33 |
| L4 H3 FWD Dynamic Panel Van Euro 6D (6.3) | | | | | | | | | | | |
| 3500 2.2 (140PS) Turbo D S/S Heavy | XA05 PQ61 | IM7o G02 | 2303 | 1380 | 3500 | 2100 | 2400 | 3000 | 6500 | 35,285.00 | 36,198.33 |

S/S = Start/Stop.

Please note: On-the-road recommended retail prices (RRP) include number plates and delivery to retailer of £583.33 (exc. VAT), 12 months' Vehicle Excise Duty and new vehicle first registration fee of £55.00. Excludes fuel and insurance.

*For definitions please refer to Glossary of Terms. Gross plated weights (including axle weights) quoted on the vehicle plate are to UK plated weight specification and must never be exceeded. Unbraked towing weight 750kg – all models.

New Movano Chassis/Crew Cab Prices/Weights (Provisional data)

| | Model/ Pack Code | Orderable Option Code | Minimum Mass (kg)* | Maximum indicative payload (kg)* | Gross Vehicle Weights (GVW) (kg) | Plated weights (kg) | | Towing weights (kg) Braked | Plated Gross Combination Weights (GCW) (kg) | Price (£) exc. VAT | On-the-road RRP (£) exc. VAT |
|--|---------------------|--------------------------|-----------------------|---|--|---------------------|--------------|----------------------------------|--|-----------------------|------------------------------------|
| | | | | | | Front axle | Rear axle | | | | |
| L2 H1 FWD Edition Chassis Cab Euro 6D (6.3) | | | | | | | | | | | |
| 3500 2.2 (140PS) Turbo D S/S | XA03 PQ61 | IM4F G01 | 1710 | 1790 | 3500 | 1850 | 2000 | 2500 | 6000 | 27,825.00 | 28,738.33 |
| L3 H1 FWD Edition Chassis Cab Euro 6D (6.3) | | | | | | | | | | | |
| 3500 2.2 (140PS) Turbo D S/S | XA03 PQ61 | IM6F G01 | 1730 | 1770 | 3500 | 1850 | 2000 | 2500 | 6000 | 28,425.00 | 29,338.33 |
| L3 H1 FWD Edition Crew Cab Euro 6D (6.3) | | | | | | | | | | | |
| 3500 2.2 (140PS) Turbo D S/S | XA43 PQ61 | IM6X G01 | 1945 | 1555 | 3500 | 1850 | 2000 | 2500 | 6000 | 29,675.00 | 30,588.33 |

S/S = Start/Stop.

Please note: On-the-road recommended retail prices (RRP) include number plates and delivery to retailer of £583.33 (exc. VAT), 12 months' Vehicle Excise Duty and new vehicle first registration fee of £55.00. Excludes fuel and insurance.

*For definitions please refer to Glossary of Terms. Gross plated weights (including axle weights) quoted on the vehicle plate are to UK plated weight specification and must never be exceeded. Unbraked towing weight 750kg – all models.

Fuel Economy and Emissions (Provisional data)

| | WLTP Fuel economy mpg (litres/100km) [#] | | NEDC CO ₂ (g/km) ^{##} |
|--|---|---------------|---|
| | Combined Low | Combined High | |
| L2 H1 FWD Edition Panel Van Euro 6D (6.3) | | | |
| 3500 2.2 (140PS) Turbo D | 25.4 (11.1) | 34.4 (8.2) | 153 |
| L2 H2 FWD Edition Panel Van Euro 6D (6.3) | | | |
| 3500 2.2 (140PS) Turbo D S/S | 25.4 (11.1) | 34.4 (8.2) | 159 |
| L2 H2 FWD Dynamic Panel Van Euro 6D (6.3) | | | |
| 3500 2.2 (140PS) Turbo D S/S | 25.4 (11.1) | 34.4 (8.2) | 159 |
| L3 H2 FWD Edition Panel Van Euro 6D (6.3) | | | |
| 3500 2.2 (140PS) Turbo D S/S | 25.4 (11.1) | 34.4 (8.2) | 162 |
| 3500 2.2 (140PS) Turbo D S/S Heavy | 25.4 (11.1) | 34.4 (8.2) | 169 |
| L3 H2 FWD Dynamic Panel Van Euro 6D (6.3) | | | |
| 3500 2.2 (140PS) Turbo D S/S | 25.4 (11.1) | 34.4 (8.2) | 162 |
| 3500 2.2 (140PS) Turbo D S/S Heavy | 25.4 (11.1) | 34.4 (8.2) | 169 |
| 3500 2.2 (165PS) Turbo D S/S | 25.4 (11.1) | 34.4 (8.2) | tba |
| L3 H3 FWD Edition Panel Van Euro 6D (6.3) | | | |
| 3500 2.2 (140PS) Turbo D S/S | 25.4 (11.1) | 34.4 (8.2) | 169 |
| L3 H3 FWD Dynamic Panel Van Euro 6D (6.3) | | | |
| 3500 2.2 (140PS) Turbo D S/S | 25.4 (11.1) | 34.4 (8.2) | 169 |
| L4 H2 FWD Dynamic Panel Van Euro 6D (6.3) | | | |
| 3500 2.2 (140PS) Turbo D S/S Heavy | 25.4 (11.1) | 34.4 (8.2) | 166 |
| 4000 2.2 (140PS) Turbo D S/S Heavy | 25.4 (11.1) | 34.4 (8.2) | 166 |
| L4 H3 FWD Dynamic Panel Van Euro 6D (6.3) | | | |
| 3500 2.2 (140PS) Turbo D S/S Heavy | 25.4 (11.1) | 34.4 (8.2) | 175 |

S/S = Start/Stop.

[#]Fuel consumption and CO₂ emission data are determined according to the WLTP test cycle. Full data relating to WLTP test cycles can be found at: www.vauxhall.co.uk/wltp^{##}Fuel consumption data and CO₂ emission data are determined using the Worldwide harmonized Light vehicles Test Procedure (WLTP), and the relevant values are translated back to allow the comparability into NEDC, according to regulations R (EC) No. 715/2007 R (EU) No. 2017/1153 and R (EU) No. 2017/1151. The values do not take into account in particular use and driving conditions, equipment or options and may vary depending on the format of tyres.

Fuel Economy and Emissions (Provisional data)

| | WLTP Fuel economy mpg (litres/100km)# | | CO ₂ (g/km)# |
|--|---------------------------------------|---------------|-------------------------|
| | Combined Low | Combined High | |
| L2 H1 FWD Edition Chassis Cab Euro 6D (6.3) | | | |
| 3500 2.2 (140PS) Turbo D S/S | 19.2 (14.8) | 30.6 (9.2) | 287 – 278 |
| L3 H1 FWD Edition Chassis Cab Euro 6D (6.3) | | | |
| 3500 2.2 (140PS) Turbo D S/S | 19.2 (14.8) | 30.6 (9.2) | 387 – 264 |
| L3 H1 FWD Edition Crew Cab Euro 6D (6.3) | | | |
| 3500 2.2 (140PS) Turbo D S/S | 19.2 (14.8) | 30.6 (9.2) | 292 – 287 |

S/S = Start/Stop.

#Fuel consumption and CO₂ emission data are determined according to the WLTP test cycle. Full data relating to WLTP test cycles can be found at: www.vauxhall.co.uk/wltp

Options

Model Specific Features/Options

| | Option code* | Electric model Dynamic | Edition | Dynamic |
|---|--------------|---------------------------|---------|---------|
| Option Packs | | | | |
| Detection Pack – Blind spot detection/Rear traffic alert | UDQ | £200 | | £200 |
| Road Assist Pack – Automatic emergency city braking/Lane keep assist/High beam assist/Traffic sign recognition | XAIP | £850 | | £850 |
| Safety Pack – Passenger airbag/Lane keep assist/Automatic emergency city braking | XAIN | | | tba |
| Safety and Security | | | | |
| Driver and passenger airbag – Double passenger airbag (120l) with bench seat/Single passenger airbag (60l) with single seat option | AK5 | £180 | £180 | £180 |
| Driver and front passengers' curtain and side-impact airbags | AJ7 | £500 | | £500 |
| Additional foldable key | ECB | tba | tba | tba |
| Speed limiter (choice of three: 56mph (90km/h), 62mph (100km/h) or 76mph (120km/h)) – Factory fitted speed-limiters which cannot be adjusted by driver | KYJ/KYK/KYS | | £70 | £70 |

*Optional at extra cost excluding VAT.

Options

Model Specific Features/Options

| | Option code* | Electric model Dynamic | Edition | Dynamic |
|---|--------------|---------------------------|---------|---------|
| Facia, instruments and controls | | | | |
| Electronic smart tachograph | TGF | £450 | £450 | £450 |
| Interior | | | | |
| Air conditioning for cab area (including glovebox) | C60 | ● | £700 | ● |
| Overhead storage compartment | BKP | £75 | | £75 |
| Infotainment | | | | |
| Satellite navigation system: Touchscreen/Digital radio/CD/MP3 player/Bluetooth® | UIT | ● | £700 | ● |
| Mechanical | | | | |
| CANbus interface box – Includes 220A generator | WRF | £140 | £140 | £140 |
| Exterior | | | | |
| Mudflaps – front and rear | Q8H | £80 | | £80 |
| Rear parking distance sensors | UD7 | ● | £250 | ● |
| Rear parking distance sensors and rear-view camera | UCI | £350 | | £350 |

*Optional at extra cost excluding VAT.

Options

Model Specific Features/Options

| | Option code* | Electric model Dynamic | Edition | Dynamic |
|--|--------------|---------------------------|---------|---------|
| Load area | | | | |
| Sliding window for standard full-height steel bulkhead | AX9 | £60 | £60 | £60 |
| Offside sliding side-access door (right-hand side) | BSJ | £350 | £350 | £350 |
| Glazing to offside side-access sliding door (right-hand side) | BSA | £370 | £370 | £370 |
| Glazing to nearside side-access sliding door (left-hand side) | BSB | £60 | £60 | £60 |
| Wooden load floor covering and side panels | ERK | | tba | tba |
| Glazed rear doors with heated rear windows and internal rear-view mirror | J1X | £250 | £250 | £250 |
| Unglazed rear doors (270° opening) | EB2 | £250 | | £250 |
| Towing | | | | |
| Fixed tow bar | 8P1 | | | tba |
| Detachable tow bar | VQ9 | | | tba |

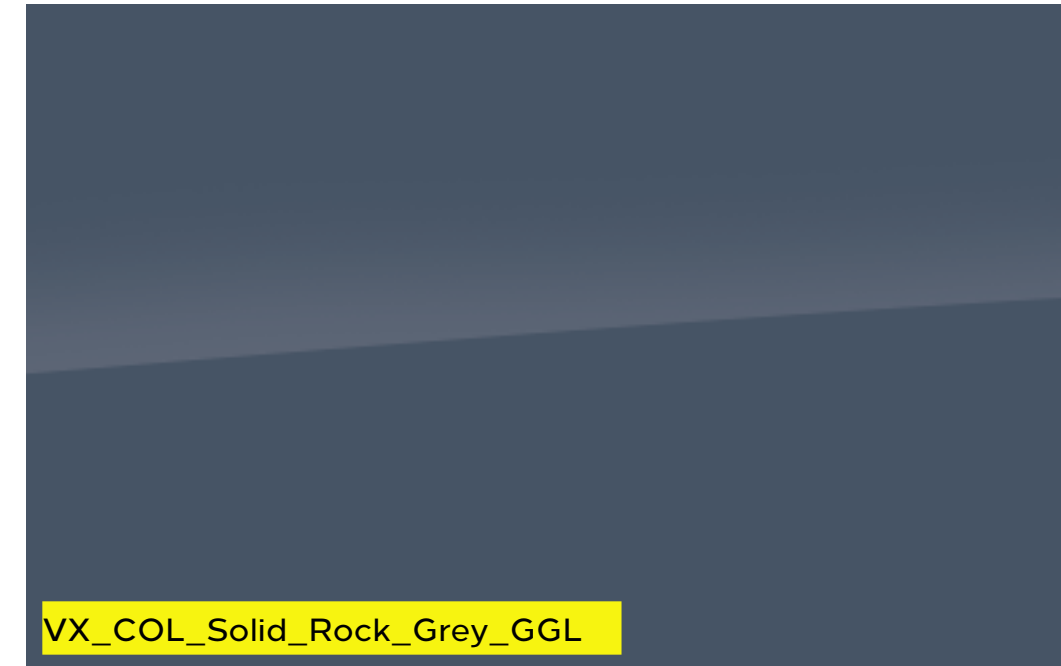
*Optional at extra cost excluding VAT.

Exterior Colours

Casablanca White (10U)*
Solid paint



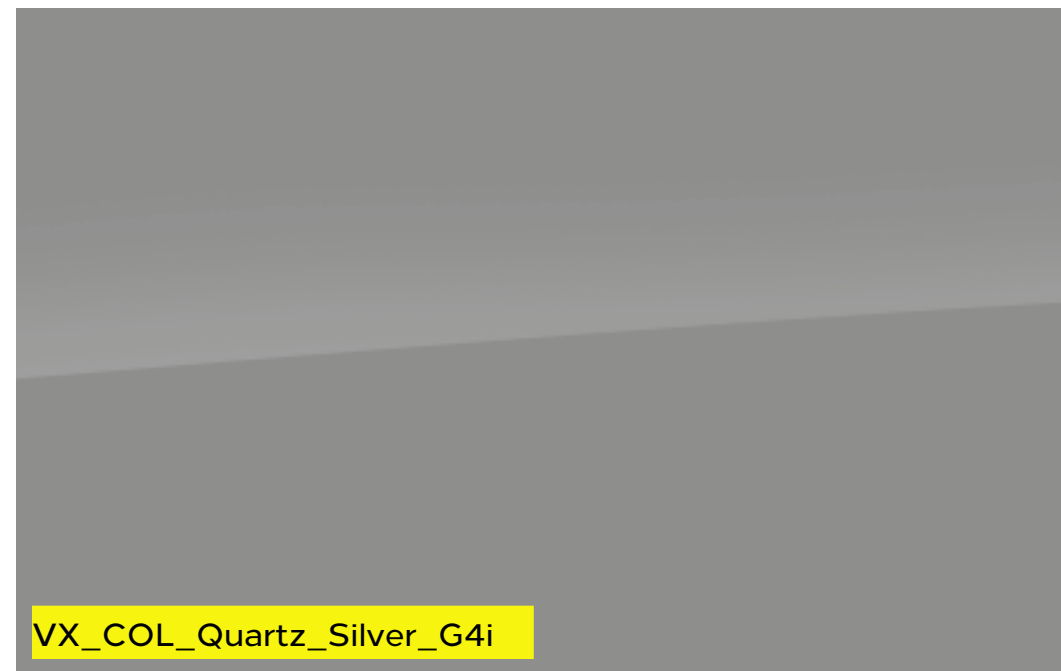
Solid Rock Grey (GGL)*
Solid paint



Platinum White (10H)*
Two-coat metallic paint £650



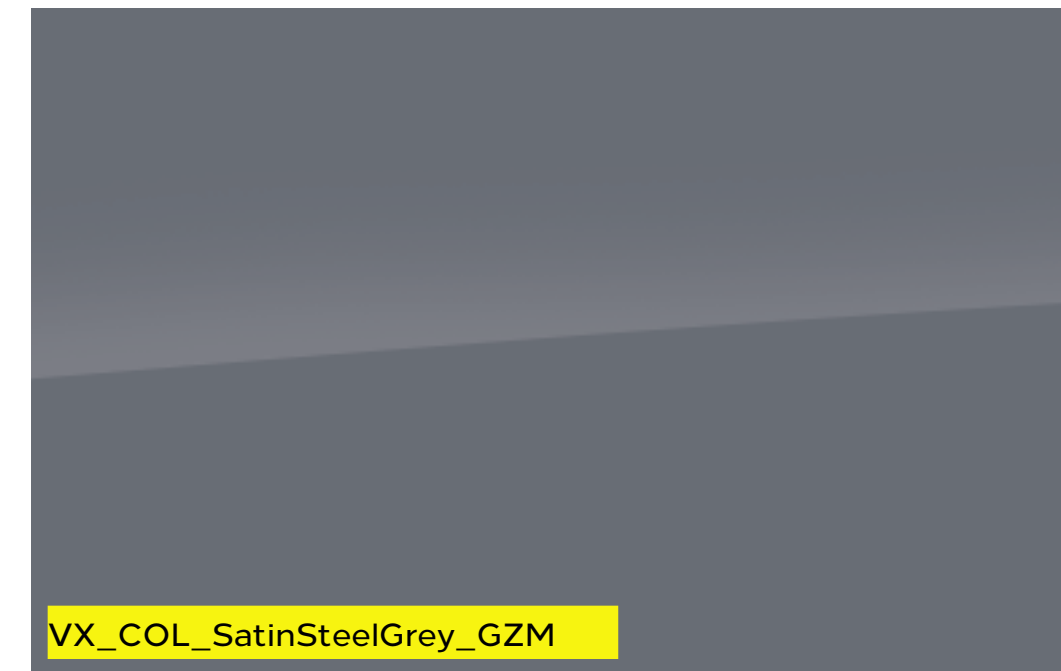
Quartz Silver (G4i)**
Two-coat metallic paint £650



Thunder Grey (GJD)**
Two-coat metallic paint £650



Satin Steel Grey (GYM)**
Two-coat metallic paint £650



Wheels and Tyres

| | Option code | Electric model Dynamic | Edition | Dynamic |
|---|-------------|---------------------------|---------|---------|
| 15-inch steel wheels with centre caps (3500 models) • 215/70 R 15 tyres • Full-size steel spare wheel | | | ● | |
| 16-inch steel wheels with centre caps (3500 Heavy models) • 215/75 R 16 tyres • Full-size steel spare wheel | | | ● | |
| 15-inch steel wheels with full-diameter wheel trims (3500 models) • 215/70 R 15 tyres • Full-size steel spare wheel | | | | ● |
| 16-inch steel wheels with full-diameter wheel trims (3500 Heavy/4000 models) • 215/75 R 16 tyres • Full-size steel spare wheel | | ● | | ● |
| Emergency tyre inflation kit (in lieu of spare wheel) | tba | No-cost | No-cost | No-cost |

New Movano-e Specifications*

Single-speed electronic drive selector

As the motor is an all-electric single-speed drive unit, there is no need for multiple gears. Instead, the driver selects from the facia-mounted buttons the following:

- **D:** Drive
- **N:** Neutral
- **R:** Reverse

Digital display shown in rear-view mirror:

- Charge level of the drive battery in percentage
- The current (A), voltage (V) level on the drive battery
- 'Go green' on display screen at the start-up

| Drivetrain | Movano-e |
|---------------------------|--|
| CO ₂ emissions | 0g/km |
| Maximum power kW/PS | 90/120 |
| Maximum torque Nm/lb. ft. | 350/258 |
| Maximum speed mph | 75 |
| Transmission | Automatic electric drive with fixed gear ratio |
| Service interval | 12,500 miles/1 year (whichever comes sooner) |
| Kerbweight | 2750kg |
| Maximum payload | 1150kg |



The Movano-e is a battery electric vehicle requiring mains electricity for charging. Range data given has been determined according to WLTP test procedure methodology. The figures shown are intended for comparability purposes only and should only be compared to other vehicles tested to the same technical standard. The range you achieve under real world driving conditions will depend upon a number of factors, including but not limited to: the accessories fitted (pre and post registration); charging frequency; personal driving style; vehicle load and route characteristics; variations in weather; heating/air conditioning; pre-conditioning and battery condition. For more information, contact your local Vauxhall Retailer.

*Provisional data.

New Movano-e Specifications*

Charging

Movano-e comes fitted with an 7.4kW on-board charger and mode 3 cable. An 22kW on-board charger will be available as an extra-cost option, timings to be advised.

Please note, EV range assumes that vehicle has been pre-conditioned prior to journey. This function can be accessed either via MyVauxhall App standard with all Movano-e models.

| Charging | | | |
|---------------|----------------------------------|---------------------------------|-------------------------|
| Supply | AC Current | | DC Current |
| | Wallbox 32amp Single-phase | Wallbox 16amp Three-phase | Rapid charge** 0-80% |
| | 7.4kWh | 22kWh† | 50kWh |
| 70kWh battery | 12h | 9h | 1h |

| Battery | 7.4kW on-board charger |
|---|------------------------------------|
| Battery energy kWh | 70 |
| EV range (WLTP high) | 139 miles |
| Battery consumption (Combined low/high) | tba |
| Battery warranty | 8 years/100,000 miles/70% capacity |



The Movano-e is a battery electric vehicle requiring mains electricity for charging. Range data given has been determined according to WLTP test procedure methodology. The figures shown are intended for comparability purposes only and should only be compared to other vehicles tested to the same technical standard. The range you achieve under real world driving conditions will depend upon a number of factors, including but not limited to: the accessories fitted (pre and post registration); charging frequency; personal driving style; vehicle load and route characteristics; variations in weather; heating/air conditioning; pre-conditioning and battery condition. For more information, contact your local Vauxhall Retailer.

*Provisional data. **Rapid charging stations are widely available across the UK at various locations and their power rating varies, typically from 50kW and sometimes up to 350kW. The charging time may vary according to the type and power of the charging station, the outside temperature at the charging point and the battery temperature. †With optional 22kWh on-board charger.

Glossary of Terms

Plated weight

The maximum weight to which a vehicle or an axle may be loaded, determined either by the design of the components or by legislation. All commercial vehicles must carry a manufacturer's 'plate' showing the vehicle and axle gross 'plated weights'. It is an offence to drive a vehicle in a condition where any of these weights are exceeded.

Minimum Mass

Minimum Mass ('Mass in running order' on Certificate of Conformity and 'Mass in Service' on V5C form) is defined according to European Type Approval and include all fluids, tools and 90% fuel load. It is minimum mass for this variant and does not consider local specification/trim or deletable options (specific to Movano). Weights are also subject to manufacturing tolerances (EU Legislation allows 5% tolerance).

Gross Vehicle Weight (GVW)

The total permissible weight of a vehicle including payload and passengers, as shown on the manufacturer's plate.

Gross Combination Weight (GCW)

The maximum permissible weight of a vehicle, including payload and passengers, combined with the total weight of any trailer it is towing. The maximum GCW weight limit is quoted on the vehicle plate and must not be exceeded.

Payload

The total permissible weight that can be carried without exceeding the vehicle's plated weight. Payload do not include driver but do take into consideration specification/trim level:

Weights are also subject to manufacturing tolerances (EU Legislation allows 5% tolerance). Payload does not consider any additional options that a customer may order.

Roof loads

- Movano roof load should not exceed 150kg including the weight of the roof rack/carrier.

Maximum towing weight

The maximum weight of any trailer and its load which may be towed within the limit of the vehicle's plated Gross Combination Weight (GCW). It is based on the ability of the vehicle – at full GCW – to restart on a 12% gradient, which is approximately 1 in 8.3, at sea level. At altitudes above 1500 metres, the engine output may drop with a corresponding reduction in towing capability. It is the operator's responsibility to ensure that the trailer noseweight does not cause the rear axle plated weight of the towing vehicle to be exceeded.

Always fit Vauxhall towing attachments and accessories available from your Vauxhall Commercial Vehicle Retailer. They are designed specifically for Vauxhall models and carry a 12-month warranty.

Conversions

A new conversion portal has been introduced. This significantly improves the transparency and response of all communication with body-builders, and converters: converters-and-groupe-psa.com This website contains complete technical guidelines necessary to convert Vauxhall commercial vehicles – Combo (K9), Vivaro (K0) and Movano (X62). All vital and fundamental information is now located in one place:

- Conversion Guidelines
- Technical Data
- 3D CAD (coming)
- WLTP guidance
- Body shell ordering

Additionally there is a new Q&A service for technical questions, and the new conversion approval process will also be managed through this portal.

Any converter of Vauxhall product should create an account on this portal including those using IVA as approval process. In fact WLTP will make this necessary.

Commercial Vehicle Categories

Differences between M1/N1 and M2/N2 (Vehicles with GVW above 3500kg)

Category M: Passenger carriers

Category M1: Vehicles designed and constructed for the carriage of passengers and comprising no more than eight seats in addition to the driver's seat.

Category M2: Vehicles designed and constructed for the carriage of passengers, comprising more than eight seats in addition to the driver's seat, and having a maximum mass not exceeding 5 tonnes.

Category N: Goods vehicles

Category N1: Vehicles designed and constructed for the carriage of goods and having a maximum mass not exceeding 3.5 tonnes.

Category N2: Vehicles designed and constructed for the carriage of goods and having a maximum mass exceeding 3.5 tonnes but not exceeding 12 tonnes.

Specific differences, all M2/N2 require the following:

Speed limiter: All M2/N2 vehicles are legally required to be speed limited. M2 to 62mph and N2 to 56mph.

Glossary of Terms

Driver licence: Commercial vehicles with GVW greater than 3.5 tonnes have different license requirements. For any new drivers C1 category is necessary. Under some circumstances (social purposes for a non-commercial body) it is possible to drive a minibus without a D1 entitlement (Minibus) however eligibility for this exemption should be confirmed with DVSA.

Driver CPC: Driver Certificate of Professional Competence mandates 35 hours of periodic training every 5 years to maintain licence (from September 2014).

Tachograph: It is a legal requirement to administer the activities of drivers subject to the EU or AETR drivers' hours rules, and also record the vehicle's speed, distance and time. A Smart Card is required for digital tachograph and these are available from the DVLA. The tachograph of a new vehicle must be calibrated within two weeks of first registration.

Operator's Licence: This may also be required to ensure that vehicles are kept safe and in good condition at all times. Specifically for M2, PSV (public service vehicle) operator's licence is required. Exemptions in some circumstances may be permitted but this should always be confirmed with DVSA.

MOT Testing: M2/N2 must be tested each year, and vehicle presented with a completed Certificate of Conformity (CoC). This is available from Vauxhall (regdata@gm.com) or from converter in case of second-stage conversion.

Conversions – WLTP

There is a mandatory CO₂ target that comes into effect in 2020. There are specific targets for both cars and light commercial vehicles. With respect to LCVs, Vauxhall will be responsible for the CO₂ of complete converted vehicle, and defined Maxi-Pollutant Values must be respected.

These values are:

- Mass in Running Order (kg)
- Frontal Surface (m²)
- Rolling Resistance Coefficient of tyres (kg/t)
- Air Inlet Surface to cool the engine (dm²)

Conversion Guidelines; Maxi-Pollutant Values and links to CO₂ calculator can all be found on the converter portal at converters-and-groupe-psa.com

Second-stage conversions based on a Euro 6D TEMP engine cannot be registered unless they have passed the CO₂ calculator. If Maxi-Pollutant values are not followed, then CO₂ calculation will fail and converted vehicle cannot be registered. It would be necessary then to change the conversion.

Further Information

Vauxhall on-the-road recommended retail prices (RRP)

To eliminate uncertainty about hidden costs incurred when buying a new commercial vehicle, Vauxhall publishes on-the-road prices and these are shown in the pricing tables within this price guide. The prices shown are manufacturer's recommended retail prices (RRP) unless otherwise stated, exclusive of VAT (currently at a rate of 20% which may be payable). These prices include the recommended cost of number plates, delivery to a Vauxhall Retailer of £583.33 (£700.00 including VAT), 12 months' Government Vehicle Excise Duty* and the DVLA new vehicle first registration fee of £55.00*.

Please note: The RRP does not include fuel supplied by the Retailer, motor insurance or any other goods or services supplied by agreement between the Retailer and customer.

Price protection

Order a new Vauxhall for build in the current model year (as confirmed by your Retailer) for delivery no more than three months in advance and the price you are quoted is the price you pay. This is irrespective of any subsequent price rises between placing your order and delivery of your new car, but you must take delivery as soon as the car is available.

Please note: Price protection does not apply to electric/hybrid models. Vauxhall Motors Limited is not liable for price adjustments caused by Government changes in the rate of VAT (currently 20%), Vehicle Excise Duty, DVLA new vehicle first registration fee or by any other applicable legislation or regulations.

In the event of an accident...

Vauxhall Accident Management helps keep you mobile following an accident. Benefits include vehicle recovery, Vauxhall-approved repairs and contacting your insurer. For more details, visit vauxhall.co.uk/AccidentManagement

Vehicle Excise Duty

The amount of Vehicle Excise Duty (road fund licence) payable on new commercial vehicles varies depending on gross vehicle weight (GVW) and European standard emissions compliance, as shown below*.

| | |
|------------------|---------|
| Up to 3500kg GVW | £275.00 |
| Over 3500kg GVW | £165.00 |

*Correct at time of publication.

Customer Care Commitment

For added peace of mind, Vauxhall has an innovative Customer Care Commitment** that offers the following:

- Three-year vehicle warranty consisting of a one-year/unlimited mileage manufacturer's warranty and a second and third year manufacturer's warranty with a 100,000 miles limitation
- Vauxhall Assistance for 12 months from first registration
- Five years' body panel anti-perforation warranty

**Warranty is only on vehicles sourced from Vauxhall Motors Limited. Terms and conditions apply – please see your Vauxhall Retailer for details.

Vauxhall Assistance

Vauxhall Assistance is provided Automatically with every new Vauxhall Commercial Vehicle for 12 months from first registration and covers everything from accidents, mechanical breakdown to flat tyres. With Vauxhall Assistance help is literally just a free[†] phone call away, 24 hours a day, 365 days a year!

[†]Mobile phone users will be charged at their standard tariff.

Vauxhall Extended Warranty

For complete peace of mind Vauxhall offers an extended warranty that can be purchased on an annual basis following the expiry of the original new vehicle warranty. It covers most mechanical

and electrical components. Terms and conditions apply, for further details please contact your local Vauxhall Retailer.

Protecting the environment

Our products are increasingly winning environmental awards, both through the use of more recycled materials and by becoming cleaner and more efficient. For information on Vauxhall's efforts to achieve an environmentally sustainable future, including information on Design for Recycling, take-back of End-of-Life Vehicles (ELVs), and the recycling of ELVs, see vauxhall.co.uk/recycling

Van Business Centres

Keeping your van on the road. We know how important your van is to you, that's why we're geared up to minimise your downtime.

Our nationwide Van Business Centres provide fast, convenient value for money servicing, repairs and MOTs.

- All work is carried out by Vauxhall trained technicians using only genuine parts
- No appointments are required for diagnosis and we offer a 'while you wait' service

We have all the expertise required and will spare no effort to get you back in business as soon as possible.

Vauxhall Service Plan

Vauxhall Retailers offer a great service for owners of all Vauxhall vehicles. Value for money, regular offers and free check-ups, combined with the peace of mind that comes from using Vauxhall-trained technicians and genuine parts, help keep your vehicle in peak condition at all times. Every Vauxhall Retailer supports our customer promise:

We are Vauxhall experts

- Fully Vauxhall-trained technicians
- We use Vauxhall approved diagnostic equipment and specialist tools
- Full access to Vauxhall repair databases and technical centres

We are transparent

- Our invoicing will clearly set out the work at the price agreed with no hidden extras

We are never beaten on price

- We will match any written like for like service/repair quote from a local^{††} competitor using genuine repair methods and parts

We are convenient

- Flexible booking times to suit you
- 'One-stop shop' for every type of Vauxhall service
- While you wait facility on stocked tyres, batteries and exhausts
- Free courtesy vehicle or local collection with annual services and warranty work

We are thorough

- 25 point safety check with any workshop visit
- No obligation advice on essential and non-essential work
- Free check for safety enhancements and upgrades to your vehicle and software
- Free 'Wash and Vac' with every annual service
- Free fitting of wipers and external bulbs with annual services

^{††}A radius of five miles/20 minutes from your Vauxhall Retailer.

For more product information

For further information on the Vauxhall range or location of your nearest Vauxhall Retailer please call **0345 600 1500**. Alternatively, details can be found on our website at vauxhall.co.uk

For more information call **0345 600 1500**
Discover the full Vauxhall range at **[vauxhall.co.uk](https://www.vauxhall.co.uk)**

Join us online

The invoice price, including delivery to Retailer, factory-fitted options, accessories fitted by the Retailer and number plates, is subject to VAT. Some feature descriptions in this guide may refer to, and some illustrations may show, optional equipment not included in the standard delivery. The information contained in this guide was accurate at the time of publication. We reserve the right to make changes in design and equipment. Please note that Vauxhall Retailers are not the agents of Vauxhall Motors Limited and are not authorised to bind Vauxhall Motors Limited by any specific or implied undertaking or representation. It is advisable to ensure that your motor insurance policy provides adequate cover for additional fitted options and accessories. The colours in this guide are only approximate actual colours. Illustrated optional equipment is available at extra charge. Availability, technical features and equipment provided on our vehicles can vary by model. For precise information on the equipment provided on our vehicles, please contact your local Vauxhall Retailer.

VAUXHALL

Price and Specification Guide
7 July 2021 | Model Year 2021B



Movano

CONTENTS

To find the information you want use the links below to navigate around the guide:

[Range Highlights](#)

[Prices and Weights](#)

[Fuel Economy and Emissions](#)

[Features and Options](#)

[Exterior Colours](#)

[Wheels and Tyres](#)

[Specifications](#)

[Dimensions and Capacities](#)

[Accessories](#)

[Glossary of Terms](#)

[Further Information](#)

MOVANO RANGE HIGHLIGHTS



EDITION PANEL VAN

Standard features include:

Infotainment:

- AM/FM/DAB digital radio • CD/MP3 Player
- Bluetooth® connectivity
- USB audio connection with iPod control
- Two 15-watt speakers
- RDS with Traffic Programme

Safety/security:

- Driver's airbag
- Height-adjustable outer front seatbelts
- Nearside blind spot/junction mirror (in front passenger sunvisor)
- Wide-angle mirror on driver's side
- Electronic stability programme with traction control
- Side wind assist
- Anti-lock braking system
- Full-height steel bulkhead
- Electronic engine deadlock immobiliser
- Remote control central door deadlocking with selective door locking
- Automatic lighting control with tunnel detection
- Internal lockable cargo doors
- Under-floor spare wheel storage – Wind down only when rear doors opened

Interior convenience/styling:

- Height-adjustable steering wheel
- Adjustable driver's seat with armrest
- Dual front passengers' bench seat
- 12-volt accessory socket
- Overhead storage shelf and 11L lidded glovebox
- Floor-mounted, load-securing eyes

Exterior convenience/styling:

- Rain-sensitive windscreen wipers
- Electrically operated front windows
- Foldable electrically adjustable/heated mirrors
- Easy access nearside sliding side-access door
- Unglazed rear doors

Mechanical:

- 80-litre fuel tank
- 26-litre AdBlue® tank
- 95Ah maintenance-free battery (105Ah on Tecshift models)
- 185A alternator



EDITION DOUBLECAB

Features over Edition Panel Van:

- Fixed windows to standard nearside sliding side-access door and opposite body panel
- Dual front passengers' multi-function office bench seat, featuring flat-folding backrest with twin drinks holders, flat work surface, swivelling tray and underseat storage
- Four-individually contoured rear seats
- Inertia-reel lap and diagonal seatbelts
- Padded head restraints
- Full-length tray under rear seat cushion
- Full-height ABS plastic bulkhead with window



CHASSIS/CREW/ PLATFORM CAB MODELS

Chassis Cab, Crew Cab and Platform Cab models provide the perfect base for one of three factory-built conversions: Tipper, Dropside or Box Van. They also provide an excellent base for a wide variety of specialist body conversions.

Chassis/Crew Cab:

- Box section chassis rails
- Wide top sections with built-in mounting points
- Rear under-run bar (4500 models only)
- Crew Cab models additionally feature a four passenger rear bench seat with underseat storage

Platform Cab:

Ideal for those conversions requiring a low floor and walk-through access from the cab.

MOVANO PANEL VAN PRICES/WEIGHTS

| | Pack Code | Minimum Mass (kg)* | Maximum indicative payload (kg)* | Gross Vehicle Weights (GVW) (kg) | Plated weights (kg) | | Towing weights (kg) Braked | Plated Gross Combination Weights (GCW) (kg) | Price (£) exc. VAT | On-the-road RRP (£) exc. VAT |
|---|-----------|--------------------|----------------------------------|----------------------------------|---------------------|-----------|----------------------------|---|--------------------|------------------------------|
| | | | | | Front axle | Rear axle | | | | |
| L1 H1 FWD EDITION PANEL VAN EURO 6D TEMP | | | | | | | | | | |
| 2800 2.3 (135PS) Turbo D | 5D05 QJIB | 1880 | 920 | 2800 | 1550 | 1650 | 2500 | 5300 | 29,285.00 | 30,198.33 |
| 3300 2.3 (135PS) Turbo D | 5D05 QJIC | 1880 | 1420 | 3300 | 1650 | 1900 | 2500 | 5800 | 30,535.00 | 31,448.33 |
| 3500 2.3 (135PS) Turbo D | 5D05 QJID | 1880 | 1620 | 3500 | 1850 | 2100 | 2500 | 6000 | 31,185.00 | 32,098.33 |
| L1 H2 FWD EDITION PANEL VAN EURO 6D TEMP | | | | | | | | | | |
| 2800 2.3 (135PS) Turbo D | 5D05 QJIE | 1902 | 898 | 2800 | 1550 | 1650 | 2500 | 5300 | 29,885.00 | 30,798.33 |
| 3300 2.3 (135PS) Turbo D | 5D05 QJIF | 1902 | 1398 | 3300 | 1650 | 1900 | 2500 | 5800 | 31,135.00 | 32,048.33 |
| 3500 2.3 (135PS) Turbo D | 5D05 QJIG | 1902 | 1598 | 3500 | 1850 | 2100 | 2500 | 6000 | 31,785.00 | 32,698.33 |
| 3500 2.3 (150PS) Turbo D S/S | 5D05 Q96G | 1902 | 1598 | 3500 | 1850 | 2100 | 2500 | 6000 | 32,895.00 | 33,808.33 |
| L1 H2 FWD EDITION PANEL VAN EURO V1d | | | | | | | | | | |
| 3500 2.3 (145PS) Turbo D S/S** | 5D05 QXIG | 1880 | 1620 | 3500 | 1850 | 2100 | 2500 | 6000 | 32,295.00 | 33,208.33 |
| L2 H2 FWD EDITION PANEL VAN EURO 6D TEMP | | | | | | | | | | |
| 3300 2.3 (135PS) Turbo D | 5D05 QJIH | 1971 | 1329 | 3300 | 1700 | 1900 | 2500 | 5800 | 32,490.00 | 33,403.33 |
| 3500 2.3 (135PS) Turbo D | 5D05 QJIJ | 1971 | 1529 | 3500 | 1850 | 2100 | 2500 | 6000 | 33,140.00 | 34,053.33 |
| 3500 2.3 (135PS) Turbo D** | 5D05 QMIJ | 1971 | 1529 | 3500 | 1850 | 2100 | 2500 | 6000 | 33,140.00 | 34,053.33 |
| 3500 2.3 (150PS) Turbo D S/S | 5D05 Q96J | 1971 | 1529 | 3500 | 1850 | 2100 | 2500 | 6000 | 34,250.00 | 35,163.33 |
| 3500 2.3 (180PS) Turbo D S/S Tecshift | 5D05 QBFJ | 1974 | 1526 | 3500 | 1850 | 2100 | 2500 | 6000 | 36,375.00 | 37,288.33 |

S/S = Start/Stop.

Please note: On-the-road recommended retail prices (RRP) include number plates and delivery to Retailer of £583.33, 12 months' Vehicle Excise Duty and new vehicle first registration fee of £55.00. Excludes fuel and insurance.

Gross plated weights (including axle weights) quoted on the vehicle plate are to UK plated weight specification and must never be exceeded. Unbraked towing weight 750kg – all models.

*For definitions please refer to Glossary of Terms. **Special build only (refer to Glossary of Terms), contact your Retailer for details.

MOVANO PANEL VAN PRICES/WEIGHTS

| | Pack Code | Minimum Mass (kg)* | Maximum indicative payload (kg)* | Gross Vehicle Weights (GVW) (kg) | Plated weights (kg) | | Towing weights (kg) Braked | Plated Gross Combination Weights (GCW) (kg) | Price (£) exc. VAT | On-the-road RRP (£) exc. VAT |
|---|-----------|--------------------|----------------------------------|----------------------------------|---------------------|-----------|----------------------------|---|--------------------|------------------------------|
| | | | | | Front axle | Rear axle | | | | |
| L2 H3 FWD EDITION PANEL VAN EURO 6D TEMP | | | | | | | | | | |
| 3500 2.3 (135PS) Turbo D | 5D05 QJIK | 2000 | 1500 | 3500 | 1850 | 2100 | 2500 | 6000 | 33,840.00 | 34,753.33 |
| 3500 2.3 (150PS) Turbo D S/S | 5D05 Q96K | 2000 | 1500 | 3500 | 1850 | 2100 | 2500 | 6000 | 34,950.00 | 35,863.33 |
| L3 H2 FWD EDITION PANEL VAN EURO 6D TEMP | | | | | | | | | | |
| 3500 2.3 (135PS) Turbo D | 5D05 QJIL | 2069 | 1431 | 3500 | 1850 | 2100 | 2500 | 6000 | 33,840.00 | 34,753.33 |
| 3500 2.3 (135PS) Turbo D** | 5D05 QMIL | 2069 | 1431 | 3500 | 1850 | 2100 | 2500 | 6000 | 33,840.00 | 34,753.33 |
| 3500 2.3 (150PS) Turbo D S/S | 5D05 Q96L | 2069 | 1431 | 3500 | 1850 | 2100 | 2500 | 6000 | 34,950.00 | 35,863.33 |
| L3 H3 FWD EDITION PANEL VAN EURO 6D TEMP | | | | | | | | | | |
| 3500 2.3 (135PS) Turbo D | 5D05 QJIQ | 2076 | 1424 | 3500 | 1850 | 2100 | 2500 | 6000 | 34,540.00 | 35,453.33 |
| 3500 2.3 (150PS) Turbo D S/S | 5D05 Q96Q | 2076 | 1424 | 3500 | 1850 | 2100 | 2500 | 6000 | 35,650.00 | 36,563.33 |
| L3 H2 RWD EDITION PANEL VAN EURO Vid | | | | | | | | | | |
| 3500 2.3 (130PS) Turbo D | 5D05 QWIM | 2297 | 1203 | 3500 | 1850 | 2300 | 2500 | 6000 | 35,140.00 | 36,053.33 |
| 3500 DRW 2.3 (130PS) Turbo D | 5D05 QWIN | 2352 | 1148 | 3500 | 1850 | 2800 | 3000 | 6500 | 35,740.00 | 36,653.33 |
| 4500 DRW 2.3 (130PS) Turbo D Tacho | 5D05 QWIP | 2352 | 2148 | 4500 | 1850 | 3200 | 3000 | 7500 | 37,395.00 | 38,198.33 |
| L3 H3 RWD EDITION PANEL VAN EURO Vid | | | | | | | | | | |
| 3500 2.3 (130PS) Turbo D | 5D05 QWIR | 2315 | 1185 | 3500 | 1850 | 2300 | 2500 | 6000 | 35,840.00 | 36,753.33 |
| 3500 DRW 2.3 (130PS) Turbo D | 5D05 QWIS | 2375 | 1125 | 3500 | 1850 | 2800 | 3000 | 6500 | 36,440.00 | 37,353.33 |

S/S = Start/Stop. DRW = Dual Rear Wheels.

Please note: On-the-road recommended retail prices (RRP) include number plates and delivery to Retailer of £583.33, 12 months' Vehicle Excise Duty and new vehicle first registration fee of £55.00. Excludes fuel and insurance.

Gross plated weights (including axle weights) quoted on the vehicle plate are to UK plated weight specification and must never be exceeded. Unbraked towing weight 750kg – all models.

*For definitions please refer to Glossary of Terms. **Special build only (refer to Glossary of Terms), contact your Retailer for details.

MOVANO PANEL VAN PRICES/WEIGHTS

| | Pack Code | Minimum Mass (kg)* | Maximum indicative payload (kg)* | Gross Vehicle Weights (GVW) (kg) | Plated weights (kg) | | Towing weights (kg) Braked | Plated Gross Combination Weights (GCW) (kg) | Price (£) exc. VAT | On-the-road RRP (£) exc. VAT |
|---|-----------|--------------------|----------------------------------|----------------------------------|---------------------|-----------|----------------------------|---|--------------------|------------------------------|
| | | | | | Front axle | Rear axle | | | | |
| L4 H2 RWD EDITION PANEL VAN EURO Vid | | | | | | | | | | |
| 3500 2.3 (130PS) Turbo D | 5D05 QWIY | 2296 | 1204 | 3500 | 1850 | 2300 | 2500 | 6000 | 36,040.00 | 36,953.33 |
| 3500 DRW 2.3 (130PS) Turbo D | 5D05 QWIU | 2392 | 1108 | 3500 | 1850 | 2800 | 3000 | 6500 | 36,640.00 | 37,553.33 |
| 4500 DRW 2.3 (165PS) Turbo D S/S Tacho | 5D05 QYIV | 2392 | 2108 | 4500 | 1850 | 3200 | 3000 | 7500 | 40,655.00 | 41,458.33 |
| L4 H3 RWD EDITION PANEL VAN EURO Vid | | | | | | | | | | |
| 3500 2.3 (130PS) Turbo D | 5D05 QWIZ | 2343 | 1157 | 3500 | 1850 | 2300 | 2500 | 6000 | 36,740.00 | 37,653.33 |
| 3500 2.3 (145PS) Turbo D S/S | 5D05 QXIZ | 2343 | 1157 | 3500 | 1850 | 2300 | 2500 | 6000 | 37,850.00 | 38,763.33 |
| 3500 DRW 2.3 (130PS) Turbo D | 5D05 QWIW | 2463 | 1037 | 3500 | 1850 | 2800 | 3000 | 6500 | 37,340.00 | 38,253.33 |
| 4500 DRW 2.3 (165PS) Turbo D S/S Tacho | 5D05 QYIX | 2463 | 2037 | 4500 | 1850 | 3200 | 3000 | 7500 | 41,355.00 | 42,158.33 |

S/S = Start/Stop. DRW = Dual Rear Wheels.

Please note: On-the-road recommended retail prices (RRP) include number plates and delivery to Retailer of £583.33, 12 months' Vehicle Excise Duty and new vehicle first registration fee of £55.00. Excludes fuel and insurance.

Gross plated weights (including axle weights) quoted on the vehicle plate are to UK plated weight specification and must never be exceeded. Unbraked towing weight 750kg – all models.

*For definitions please refer to Glossary of Terms.

MOVANO DOUBLECAB PRICES/WEIGHTS

| | | | | | Plated weights (kg) | | | | | |
|---|-----------|--------------------|----------------------------------|----------------------------------|---------------------|-----------|----------------------------|---|--------------------|------------------------------|
| | Pack Code | Minimum Mass (kg)* | Maximum indicative payload (kg)* | Gross Vehicle Weights (GVW) (kg) | Front axle | Rear axle | Towing weights (kg) Braked | Plated Gross Combination Weights (GCW) (kg) | Price (£) exc. VAT | On-the-road RRP (£) exc. VAT |
| L2 H2 FWD EDITION DOUBLECAB EURO 6D TEMP | | | | | | | | | | |
| 3500 2.3 (135PS) Turbo D | 5DC5 QJIJ | 2167 | 1333 | 3500 | 1850 | 2100 | 2500 | 6000 | 34,790.00 | 35,703.33 |
| L3 H2 FWD EDITION DOUBLECAB EURO 6D TEMP | | | | | | | | | | |
| 3500 2.3 (135PS) Turbo D | 5DC5 QJIL | 2262 | 1238 | 3500 | 1850 | 2100 | 2500 | 6000 | 35,490.00 | 36,403.33 |

Please note: On-the-road recommended retail prices (RRP) include number plates and delivery to Retailer of £583.33, 12 months' Vehicle Excise Duty and new vehicle first registration fee of £55.00. Excludes fuel and insurance.

Gross plated weights (including axle weights) quoted on the vehicle plate are to UK plated weight specification and must never be exceeded. Unbraked towing weight 750kg – all models.

*For definitions please refer to Glossary of Terms.

MOVANO CHASSIS CAB PRICES/WEIGHTS

| | Pack Code | Minimum Mass (kg)* | Maximum indicative payload (kg)* | Gross Vehicle Weights (GVW) (kg) | Plated weights (kg) | | Towing weights (kg) Braked | Plated Gross Combination Weights (GCW) (kg) | Price (£) exc. VAT | On-the-road RRP (£) exc. VAT |
|---|-----------|--------------------|----------------------------------|----------------------------------|---------------------|-----------|----------------------------|---|--------------------|------------------------------|
| | | | | | Front axle | Rear axle | | | | |
| L2 H1 FWD CHASSIS CAB EURO 6D TEMP | | | | | | | | | | |
| 3500 2.3 (135PS) Turbo D | 5D03 QMIE | 1765 | 1735 | 3500 | 1850 | 2100 | 2500 | 6000 | 31,440.00 | 32,353.33 |
| L3 H1 FWD CHASSIS CAB EURO 6D TEMP | | | | | | | | | | |
| 3500 2.3 (135PS) Turbo D | 5D03 QMIL | 1786 | 1714 | 3500 | 1850 | 2100 | 2500 | 6000 | 31,940.00 | 32,853.33 |
| 3500 2.3 (150PS) Turbo D S/S | 5D03 QZIL | 1786 | 1714 | 3500 | 1850 | 2100 | 2500 | 6000 | 33,050.00 | 33,963.33 |
| L2 H1 RWD CHASSIS CAB EURO 6D TEMP | | | | | | | | | | |
| 3500 2.3 (130PS) Turbo D | 5D03 QWIF | 1878 | 1622 | 3500 | 1850 | 2300 | 2500 | 6000 | 32,740.00 | 33,653.33 |
| 3500 DRW 2.3 (130PS) Turbo D | 5D03 QWIG | 2058 | 1442 | 3500 | 1850 | 2800 | 3500 | 7000 | 33,355.00 | 34,268.33 |
| 4500 DRW 2.3 (165PS) Turbo D S/S Tacho | 5D03 QYIH | 2058 | 2442 | 4500 | 1850 | 3200 | 3000 | 7500 | 37,370.00 | 38,173.33 |
| L3 H1 RWD CHASSIS CAB EURO Vld | | | | | | | | | | |
| 3500 2.3 (130PS) Turbo D | 5D03 QWIM | 1928 | 1572 | 3500 | 1850 | 2300 | 2500 | 6000 | 33,240.00 | 34,153.33 |
| 3500 2.3 (145PS) Turbo D S/S | 5D03 QXIM | 1928 | 1572 | 3500 | 1850 | 2300 | 2500 | 6000 | 34,350.00 | 35,263.33 |
| 3500 DRW 2.3 (130PS) Turbo D | 5D03 QWIN | 2069 | 1431 | 3500 | 1850 | 2800 | 3500 | 7000 | 33,840.00 | 34,753.33 |
| 4500 DRW 2.3 (165PS) Turbo D S/S Tacho | 5D03 QYIP | 2069 | 2431 | 4500 | 1850 | 3200 | 3000 | 7500 | 37,855.00 | 38,658.33 |
| L4 H1 RWD CHASSIS CAB EURO Vld | | | | | | | | | | |
| 3500 DRW 2.3 (130PS) Turbo D | 5D03 QWIU | 2074 | 1426 | 3500 | 1850 | 2800 | 3500 | 7000 | 34,540.00 | 35,453.33 |
| 3500 DRW 2.3 (145PS) Turbo D S/S | 5D03 QXIU | 2074 | 1426 | 3500 | 1850 | 2800 | 3500 | 7000 | 35,650.00 | 36,563.33 |
| 4500 DRW 2.3 (165PS) Turbo D S/S Tacho | 5D03 QYIV | 2074 | 2426 | 4500 | 1850 | 3200 | 3000 | 7500 | 38,555.00 | 39,358.33 |

S/S = Start/Stop. DRW = Dual Rear Wheels.

Please note: On-the-road recommended retail prices (RRP) include number plates and delivery to Retailer of £583.33, 12 months' Vehicle Excise Duty and new vehicle first registration fee of £55.00. Excludes fuel and insurance.

All conversions must follow 'Vauxhall Converter Requirements' including recommended dimensional data, detailed within Part 1, available at: www.converters-and-groupe-psa.com. The weight of any fitted conversion body will have to be deducted from these figures to establish actual payload and is subject to correct weight distribution. Variations from the recommended dimensions or weights may affect the vehicle's overall centre of gravity and stability. From 29 April 2013 conversion of N1 vehicles was affected by changes to type approval - for further information refer to the VCA website (N2 vehicles were affected from 29 October 2014). For further information please contact conversions@vauxhall.co.uk

Gross plated weights (including axle weights) quoted on the vehicle plate are to UK plated weight specification and must never be exceeded. Unbraked towing weight 750kg - all models.

*For definitions please refer to Glossary of Terms.

MOVANO CREW CAB PRICES/WEIGHTS

| | Pack Code | Minimum Mass (kg)* | Maximum indicative payload (kg)* | Gross Vehicle Weights (GVW) (kg) | Plated weights (kg) | | | Plated Gross Combination Weights (GCW) (kg) | Price (£) exc. VAT | On-the-road RRP (£) exc. VAT |
|--|-----------|--------------------|----------------------------------|----------------------------------|---------------------|-----------|----------------------------|---|--------------------|------------------------------|
| | | | | | Front axle | Rear axle | Towing weights (kg) Braked | | | |
| L2 H1 FWD CREW CAB EURO 6D TEMP | | | | | | | | | | |
| 3500 2.3 (135PS) Turbo D | 5D43 QMIE | 1949 | 1551 | 3500 | 1850 | 2100 | 2500 | 6000 | 32,340.00 | 33,253.33 |
| L3 H1 FWD CREW CAB EURO 6D TEMP | | | | | | | | | | |
| 3500 2.3 (135PS) Turbo D | 5D43 QMIL | 1958 | 1542 | 3500 | 1850 | 2100 | 2500 | 6000 | 32,840.00 | 33,753.33 |
| L3 H1 RWD CREW CAB EURO Vid | | | | | | | | | | |
| 3500 2.3 (130PS) Turbo D | 5D43 QWIM | 2099 | 1401 | 3500 | 1850 | 2300 | 2500 | 6000 | 34,140.00 | 35,053.33 |
| 3500 DRW 2.3 (130PS) Turbo D | 5D43 QWIN | 2224 | 1276 | 3500 | 1850 | 2800 | 3500 | 7000 | 34,740.00 | 35,653.33 |
| L4 H1 RWD CREW CAB EURO Vid | | | | | | | | | | |
| 3500 2.3 (130PS) Turbo D | 5D43 QWIU | 2273 | 1227 | 3500 | 1850 | 2800 | 3500 | 7000 | 35,440.00 | 36,353.33 |

DRW = Dual Rear Wheels.

Please note: On-the-road recommended retail prices (RRP) include number plates and delivery to Retailer of £583.33, 12 months' Vehicle Excise Duty and new vehicle first registration fee of £55.00. Excludes fuel and insurance.

All conversions must follow 'Vauxhall Converter Requirements' including recommended dimensional data, detailed within Part 1, available at: www.converters-and-groupe-psa.com. The weight of any fitted conversion body will have to be deducted from these figures to establish actual payload and is subject to correct weight distribution. Variations from the recommended dimensions or weights may affect the vehicle's overall centre of gravity and stability. From 29 April 2013 conversion of N1 vehicles was affected by changes to type approval - for further information refer to the VCA website (N2 vehicles were affected from 29 October 2014). For further information please contact conversions@vauxhall.co.uk

Gross plated weights (including axle weights) quoted on the vehicle plate are to UK plated weight specification and must never be exceeded. Unbraked towing weight 750kg - all models.

*For definitions please refer to Glossary of Terms.

MOVANO PLATFORM CAB PRICES/WEIGHTS

| | Pack Code | Minimum Mass (kg)* | Maximum indicative payload (kg)* | Gross Vehicle Weights (GVW) (kg) | Plated weights (kg) | | Towing weights (kg) Braked | Plated Gross Combination Weights (GCW) (kg) | Price (£) exc. VAT | On-the-road RRP (£) exc. VAT |
|--|-----------|--------------------|----------------------------------|----------------------------------|---------------------|-----------|----------------------------|---|--------------------|------------------------------|
| | | | | | Front axle | Rear axle | | | | |
| L3 H1 FWD PLATFORM CAB EURO 6D TEMP | | | | | | | | | | |
| 3500 2.3 (135PS) Turbo D | 5D32 QMIL | 1679 | 1821 | 3500 | 1850 | 2100 | 2500 | 6000 | 31,940.00 | 32,853.33 |
| 3500 2.3 (150PS) Turbo D S/S | 5D32 QZIL | 1679 | 1821 | 3500 | 1850 | 2100 | 2500 | 6000 | 33,050.00 | 33,963.33 |
| L3 H2 FWD PLATFORM CAB EURO 6D TEMP | | | | | | | | | | |
| 3500 2.3 (150PS) Turbo D S/S | 5D32 QZIP | 1698 | 1802 | 3500 | 1850 | 2100 | 2500 | 6000 | 33,650.00 | 34,563.33 |

S/S = Start/Stop.

Please note: On-the-road recommended retail prices (RRP) include number plates and delivery to Retailer of £583.33, 12 months' Vehicle Excise Duty and new vehicle first registration fee of £55.00. Excludes fuel and insurance.

All conversions must follow 'Vauxhall Converter Requirements' including recommended dimensional data, detailed within Part 1, available at: www.converters-and-groupe-psa.com. The weight of any fitted conversion body will have to be deducted from these figures to establish actual payload and is subject to correct weight distribution. Variations from the recommended dimensions or weights may affect the vehicle's overall centre of gravity and stability. From 29 April 2013 conversion of N1 vehicles was affected by changes to type approval – for further information refer to the VCA website (N2 vehicles were affected from 29 October 2014). For further information please contact conversions@vauxhall.co.uk

Gross plated weights (including axle weights) quoted on the vehicle plate are to UK plated weight specification and must never be exceeded. Unbraked towing weight 750kg – all models.

*For definitions please refer to Glossary of Terms.

MOVANO TIPPER PRICES/WEIGHTS

| | Pack Code | Minimum Mass (kg)* | Maximum indicative payload (kg)* | Gross Vehicle Weights (GVW) (kg) | Plated weights (kg) | | Towing weights (kg) Braked | Plated Gross Combination Weights (GCW) (kg) | Price (£) exc. VAT | On-the-road RRP (£) exc. VAT |
|--|-----------|--------------------|----------------------------------|----------------------------------|---------------------|-----------|----------------------------|---|--------------------|------------------------------|
| | | | | | Front axle | Rear axle | | | | |
| L2 H1 FWD CHASSIS CAB TIPPER EURO 6D TEMP | | | | | | | | | | |
| 3500 2.3 (135PS) Turbo D | 5DT1 QMIE | 2262 | 1238 | 3500 | 1850 | 2100 | 2500 | 6000 | 38,340.00 | 39,253.33 |
| L2 H1 RWD CHASSIS CAB TIPPER EURO Vld | | | | | | | | | | |
| 3500 DRW 2.3 (130PS) Turbo D | 5DT1 QWIG | 2544 | 956 | 3500 | 1850 | 2800 | 3500 | 7000 | 40,255.00 | 41,168.33 |
| 3500 DRW 2.3 (145PS) Turbo D S/S | 5DT1 QXIG | 2544 | 956 | 3500 | 1850 | 2800 | 3500 | 7000 | 41,365.00 | 42,278.33 |
| L3 H1 RWD CHASSIS CAB TIPPER EURO Vld | | | | | | | | | | |
| 3500 DRW 2.3 (130PS) Turbo D | 5DT1 QWIN | 2658 | 842 | 3500 | 1850 | 2800 | 3500 | 7000 | 40,740.00 | 41,653.33 |
| L3 H1 FWD CREW CAB TIPPER EURO Vld (6-seater) | | | | | | | | | | |
| 3500 2.3 (145PS) Turbo D S/S | 5DTC QXIL | 2446 | 1054 | 3500 | 1850 | 2100 | 2500 | 6000 | 40,850.00 | 41,763.33 |

S/S = Start/Stop. DRW = Dual Rear Wheels.

Please note: On-the-road recommended retail prices (RRP) include number plates and delivery to Retailer of £583.33, 12 months' Vehicle Excise Duty and new vehicle first registration fee of £55.00. Excludes fuel and insurance.

Gross plated weights (including axle weights) quoted on the vehicle plate are to UK plated weight specification and must never be exceeded. Unbraked towing weight 750kg – all models.

*For definitions please refer to Glossary of Terms.

MOVANO DROPSIDE PRICES/WEIGHTS

| | Pack Code | Minimum Mass (kg)* | Maximum indicative payload (kg)* | Gross Vehicle Weights (GVW) (kg) | Plated weights (kg) | | Towing weights (kg) Braked | Plated Gross Combination Weights (GCW) (kg) | Price (£) exc. VAT | On-the-road RRP (£) exc. VAT |
|--|-----------|--------------------|----------------------------------|----------------------------------|---------------------|-----------|----------------------------|---|--------------------|------------------------------|
| | | | | | Front axle | Rear axle | | | | |
| L2 H1 FWD CHASSIS CAB DROPSIDE EURO 6D TEMP | | | | | | | | | | |
| 3500 2.3 (135PS) Turbo D | 5DD1 QMIE | 2077 | 1423 | 3500 | 1850 | 2100 | 2500 | 6000 | 33,390.00 | 34,303.33 |
| L3 H1 FWD CHASSIS CAB DROPSIDE EURO 6D TEMP | | | | | | | | | | |
| 3500 2.3 (135PS) Turbo D | 5DD1 QMIL | 2151 | 1349 | 3500 | 1850 | 2100 | 2500 | 6000 | 34,390.00 | 35,303.33 |
| L2 H1 RWD CHASSIS CAB DROPSIDE EURO Vid | | | | | | | | | | |
| 3500 2.3 (130PS) Turbo D | 5DD1 QWIF | 2288 | 1212 | 3500 | 1850 | 2300 | 2500 | 6000 | 34,690.00 | 35,603.33 |
| 3500 DRW 2.3 (130PS) Turbo D | 5DD1 QWIG | 2391 | 1109 | 3500 | 1850 | 2800 | 3500 | 7000 | 35,305.00 | 36,218.33 |
| L3 H1 RWD CHASSIS CAB DROPSIDE EURO Vid | | | | | | | | | | |
| 3500 DRW 2.3 (145PS) Turbo D S/S | 5DD1 QXIN | 2442 | 1058 | 3500 | 1850 | 2800 | 3500 | 7000 | 37,400.00 | 38,313.33 |
| L4 H1 RWD CHASSIS CAB DROPSIDE EURO Vid | | | | | | | | | | |
| 3500 DRW 2.3 (145PS) Turbo D S/S | 5DD1 QXIU | 2483 | 1017 | 3500 | 1850 | 2800 | 3500 | 7000 | 38,100.00 | 39,013.33 |
| L3 H1 FWD CREW CAB DROPSIDE EURO 6D TEMP | | | | | | | | | | |
| 3500 2.3 (135PS) Turbo D | 5DDC QMIL | 2271 | 1229 | 3500 | 1850 | 2100 | 2500 | 6000 | 34,790.00 | 35,703.33 |
| L4 H1 RWD CREW CAB DROPSIDE EURO Vid | | | | | | | | | | |
| 3500 2.3 (130PS) Turbo D | 5DDC QWIV | 2623 | 877 | 3500 | 1850 | 2800 | 3500 | 7000 | 37,890.00 | 38,803.33 |

S/S = Start/Stop. DRW = Dual Rear Wheels.

Please note: On-the-road recommended retail prices (RRP) include number plates and delivery to Retailer of £583.33, 12 months' Vehicle Excise Duty and new vehicle first registration fee of £55.00. Excludes fuel and insurance.

Gross plated weights (including axle weights) quoted on the vehicle plate are to UK plated weight specification and must never be exceeded. Unbraked towing weight 750kg – all models.

*For definitions please refer to Glossary of Terms.

MOVANO BOX VAN PRICES/WEIGHTS

| | Pack Code | Minimum Mass (kg)* | Maximum indicative payload (kg)* | Gross Vehicle Weights (GVW) (kg) | Plated weights (kg) | | Towing weights (kg) Braked | Plated Gross Combination Weights (GCW) (kg) | Price (£) exc. VAT | On-the-road RRP (£) exc. VAT |
|--|-----------|--------------------|----------------------------------|----------------------------------|---------------------|-----------|----------------------------|---|--------------------|------------------------------|
| | | | | | Front axle | Rear axle | | | | |
| L3 H1 FWD CHASSIS CAB BOX VAN 20 cu.m EURO VI d | | | | | | | | | | |
| 3500 2.3 (145PS) Turbo D S/S | 5DB1 QXIL | 2367 | 1133 | 3500 | 1850 | 2100 | 2500 | 6000 | 38,730.00 | 39,643.33 |

S/S = Start/Stop.

Please note: On-the-road recommended retail prices (RRP) include number plates and delivery to Retailer of £583.33, 12 months' Vehicle Excise Duty and new vehicle first registration fee of £55.00. Excludes fuel and insurance.

Gross plated weights (including axle weights) quoted on the vehicle plate are to UK plated weight specification and must never be exceeded. Unbraked towing weight 750kg – all models.

*For definitions please refer to Glossary of Terms.

MOVANO FUEL ECONOMY/EMISSIONS

| | NEDC mpg (litres/100km) [#] | | WLTP Fuel economy mpg (litres/100km) ^{##} | | CO ₂ (g/km) ^{##} | |
|---|--------------------------------------|-------------------------------------|--|---------------|--------------------------------------|-----|
| | Combined | CO ₂ (g/km) [#] | Combined Low | Combined High | High | Low |
| L1 H1 FWD EDITION PANEL VAN EURO 6D TEMP | | | | | | |
| 2800 2.3 (135PS) Turbo D | 41.6 (6.8) | 181 | 30.4 (9.3) | 32.1 (8.8) | 243 | 231 |
| 3300 2.3 (135PS) Turbo D | 41.6 (6.8) | 180 | 30.1 (9.4) | 31.4 (9.0) | 248 | 236 |
| 3500 2.3 (135PS) Turbo D | 41.6 (6.8) | 180 | 29.7 (9.5) | 31.0 (9.1) | 250 | 238 |
| 3500 2.3 (150PS) Turbo D S/S | 47.0 (6.0) | 158 | 27.4 (10.3) | 30.7 (9.2) | 270 | 241 |
| L1 H2 FWD EDITION PANEL VAN EURO 6D TEMP | | | | | | |
| 2800 2.3 (135PS) Turbo D | 39.2 (7.2) | 191 | 29.7 (9.5) | 30.1 (9.1) | 250 | 238 |
| 3300 2.3 (135PS) Turbo D | 39.2 (7.2) | 190 | 29.1 (9.7) | 30.7 (9.2) | 263 | 251 |
| 3500 2.3 (135PS) Turbo D | 39.2 (7.2) | 190 | 28.8 (9.8) | 30.4 (9.3) | 265 | 253 |
| 3500 2.3 (150PS) Turbo D S/S | 46.3 (6.1) | 161 | 29.4 (9.6) | 30.7 (9.2) | 270 | 247 |
| L2 H2 FWD EDITION PANEL VAN EURO 6D TEMP | | | | | | |
| 3300 2.3 (135PS) Turbo D | 39.2 (7.2) | 191 | 29.1 (9.7) | 30.4 (9.3) | 256 | 244 |
| 3500 2.3 (135PS) Turbo D | 39.2 (7.2) | 191 | 28.8 (9.8) | 30.4 (9.3) | 258 | 246 |
| 3500 2.3 (150PS) Turbo D S/S | 46.3 (6.1) | 162 | 29.1 (9.7) | 30.7 (9.2) | 254 | 243 |
| 3500 2.3 (180PS) Turbo D S/S Tecshift | 38.2 (7.4) | 194 | 28.2 (10.0) | 29.7 (9.5) | 262 | 250 |
| L2 H3 FWD EDITION PANEL VAN EURO 6D TEMP | | | | | | |
| 3500 2.3 (135PS) Turbo D | 37.7 (7.5) | 198 | 28.0 (10.1) | 29.4 (9.6) | 264 | 253 |
| 3500 2.3 (150PS) Turbo D S/S | 45.6 (6.2) | 164 | 28.5 (9.9) | 29.7 (9.5) | 261 | 249 |
| 3500 2.3 (180PS) Turbo D S/S Tecshift | 37.6 (7.5) | 198 | 26.9 (10.5) | 28.5 (9.9) | 275 | 259 |

S/S = Start/Stop.

For fuel economy and CO₂ two sets of data are provided. All engines are validated to emissions standard Euro 6D Temp (6.2) which uses the newer WLTP cycle. This cycle is intended to be a closer representation to economy achieved in the real world and is included for this transparency. NEDC figures are not from the older cycle but in fact are a derived back-correlation calculation from the WLTP test data. Some systems and protocols such as the 2020 CO₂ target will use this figure, and hence it is included for this, and also to enable comparison to outgoing models.

[#]Fuel consumption data and CO₂ emission data are determined using the Worldwide harmonized Light vehicles Test Procedure (WLTP), and the relevant values are translated back to allow the comparability into NEDC, according to regulations R (EC) No. 715/2007, R (EU) No. 2017/1153 and R (EU) No. 2017/1151. The values do not take into account in particular use and driving conditions, equipment or options and may vary depending on the format of tyres. For more information on official fuel consumption and CO₂ emission values, please read the guidelines at <http://vanfueldata.dft.gov.uk/>

^{##}Fuel consumption and CO₂ emission data are determined according to the WLTP test cycle. Full data relating to WLTP test cycles can be found at: www.vauxhall.co.uk/wltp

MOVANO FUEL ECONOMY/EMISSIONS

| | NEDC mpg (litres/100km) [#] | | WLTP Fuel economy mpg (litres/100km) ^{##} | | | CO ₂ (g/km) ^{##} | |
|---|--------------------------------------|-------------------------------------|--|---------------|------|--------------------------------------|--|
| | Combined | CO ₂ (g/km) [#] | Combined Low | Combined High | High | Low | |
| L3 H2 FWD EDITION PANEL VAN EURO 6D TEMP | | | | | | | |
| 3500 2.3 (135PS) Turbo D | 38.2 (7.4) | 196 | 28.5 (9.9) | 30.1 (9.4) | 260 | 248 | |
| 3500 2.3 (150PS) Turbo D S/S | 45.6 (6.2) | 163 | 28.8 (9.3) | 30.4 (9.8) | 256 | 245 | |
| L3 H3 FWD EDITION PANEL VAN EURO 6D TEMP | | | | | | | |
| 3500 2.3 (135PS) Turbo D | 36.7 (7.7) | 203 | 28.0 (10.1) | 29.1 (9.7) | 265 | 255 | |
| 3500 2.3 (150PS) Turbo D S/S | 44.8 (6.3) | 165 | 28.2 (10.0) | 29.4 (9.6) | 263 | 252 | |
| L3 H2 RWD EDITION PANEL VAN EURO Vid | | | | | | | |
| 3500 2.3 (130PS) Turbo D | 32.9 (8.6) | 224 | 21.1 (13.4) | 21.1 (13.4) | 350 | 350 | |
| 3500 DRW 2.3 (130PS) Turbo D | 32.9 (8.6) | 224 | 21.1 (13.4) | 21.1 (13.4) | 350 | 350 | |
| 4500 DRW 2.3 (130PS) Turbo D | 32.9 (8.6) | 224 | 21.1 (13.4) | 21.1 (13.4) | 350 | 350 | |
| L3 H3 RWD EDITION PANEL VAN EURO Vid | | | | | | | |
| 3500 2.3 (130PS) Turbo D | 32.9 (8.6) | 224 | 21.1 (13.4) | 21.1 (13.4) | 350 | 350 | |
| 3500 DRW 2.3 (130PS) Turbo D | 32.9 (8.6) | 224 | 21.1 (13.4) | 21.1 (13.4) | 350 | 350 | |
| L4 H2 RWD EDITION PANEL VAN EURO Vid | | | | | | | |
| 3500 2.3 (130PS) Turbo D | 32.9 (8.6) | 224 | 21.1 (13.4) | 21.1 (13.4) | 350 | 350 | |
| 3500 DRW 2.3 (130PS) Turbo D | 32.9 (8.6) | 224 | 21.1 (13.4) | 21.1 (13.4) | 350 | 350 | |
| 4500 DRW 2.3 (165PS) Turbo D S/S | 34.9 (8.1) | 211 | 20.3 (13.9) | 20.3 (13.9) | 365 | 365 | |

S/S = Start/Stop. DRW = Dual Rear Wheels.

For fuel economy and CO₂ two sets of data are provided. All engines are validated to emissions standard Euro 6D Temp (6.2) which uses the newer WLTP cycle. This cycle is intended to be a closer representation to economy achieved in the real world and is included for this transparency. NEDC figures are not from the older cycle but in fact are a derived back-correlation calculation from the WLTP test data. Some systems and protocols such as the 2020 CO₂ target will use this figure, and hence it is included for this, and also to enable comparison to outgoing models.

[#]Fuel consumption data and CO₂ emission data are determined using the Worldwide harmonized Light vehicles Test Procedure (WLTP), and the relevant values are translated back to allow the comparability into NEDC, according to regulations R (EC) No. 715/2007, R (EU) No. 2017/1153 and R (EU) No. 2017/1151. The values do not take into account in particular use and driving conditions, equipment or options and may vary depending on the format of tyres. For more information on official fuel consumption and CO₂ emission values, please read the guidelines at <http://vanfueldata.dft.gov.uk/>

^{##}Fuel consumption and CO₂ emission data are determined according to the WLTP test cycle. Full data relating to WLTP test cycles can be found at: www.vauxhall.co.uk/wltp

MOVANO FUEL ECONOMY/EMISSIONS

| | NEDC mpg (litres/100km) [#] | | WLTP Fuel economy mpg (litres/100km) ^{##} | | | CO ₂ (g/km) ^{##} | |
|--|--------------------------------------|-------------------------------------|--|---------------|------|--------------------------------------|--|
| | Combined | CO ₂ (g/km) [#] | Combined Low | Combined High | High | Low | |
| L4 H3 RWD EDITION PANEL VAN EURO VI^d | | | | | | | |
| 3500 2.3 (130PS) Turbo D | 32.9 (8.6) | 224 | 21.1 (13.4) | 21.1 (13.4) | 350 | 350 | |
| 3500 2.3 (145PS) Turbo D S/S | 38.7 (7.3) | 191 | 20.3 (13.9) | 20.3 (13.9) | 365 | 365 | |
| 3500 DRW 2.3 (130PS) Turbo D | 32.9 (8.6) | 224 | 21.1 (13.4) | 21.1 (13.4) | 350 | 350 | |
| 4500 DRW 2.3 (165PS) Turbo D S/S | 34.9 (8.1) | 211 | 20.3 (13.9) | 20.3 (13.9) | 365 | 365 | |
| L2 H2 FWD EDITION DOUBLECAB EURO 6D TEMP | | | | | | | |
| 3500 2.3 (135PS) Turbo D | 36.7 (7.7) | 202 | 28.8 (9.8) | 29.7 (9.5) | 259 | 251 | |
| L3 H2 FWD EDITION DOUBLECAB EURO 6D TEMP | | | | | | | |
| 3500 2.3 (135PS) Turbo D | 36.7 (7.7) | 204 | 28.5 (9.9) | 29.4 (9.6) | 259 | 253 | |
| L2 H1 FWD CHASSIS CAB EURO 6D TEMP | | | | | | | |
| 3500 2.3 (135PS) Turbo D | 39.2 (7.2) | 191 | 22.8 (12.4) | 22.8 (12.4) | 327 | 327 | |
| L3 H1 FWD CHASSIS CAB EURO 6D TEMP | | | | | | | |
| 3500 2.3 (135PS) Turbo D | 39.2 (7.2) | 191 | 22.8 (12.4) | 22.8 (12.4) | 327 | 327 | |
| 3500 2.3 (150PS) Turbo D S/S | 42.8 (6.6) | 175 | 23.0 (12.3) | 22.9 (12.3) | 323 | 323 | |
| L2 H1 RWD CHASSIS CAB EURO 6D TEMP | | | | | | | |
| 3500 2.3 (130PS) Turbo D | 39.2 (7.2) | 224 | 21.1 (13.4) | 21.1 (13.4) | 350 | 350 | |
| 3500 DRW 2.3 (130PS) Turbo D | 39.2 (7.2) | 224 | 21.1 (13.4) | 21.1 (13.4) | 350 | 350 | |
| 4500 DRW 2.3 (165PS) Turbo D S/S | 34.9 (8.1) | 211 | 20.3 (13.9) | 20.3 (13.9) | 365 | 365 | |

S/S = Start/Stop. DRW = Dual Rear Wheels.

For fuel economy and CO₂ two sets of data are provided. All engines are validated to emissions standard Euro 6D Temp (6.2) which uses the newer WLTP cycle. This cycle is intended to be a closer representation to economy achieved in the real world and is included for this transparency. NEDC figures are not from the older cycle but in fact are a derived back-correlation calculation from the WLTP test data. Some systems and protocols such as the 2020 CO₂ target will use this figure, and hence it is included for this, and also to enable comparison to outgoing models.

[#]Fuel consumption data and CO₂ emission data are determined using the Worldwide harmonized Light vehicles Test Procedure (WLTP), and the relevant values are translated back to allow the comparability into NEDC, according to regulations R (EC) No. 715/2007, R (EU) No. 2017/1153 and R (EU) No. 2017/1151. The values do not take into account in particular use and driving conditions, equipment or options and may vary depending on the format of tyres. For more information on official fuel consumption and CO₂ emission values, please read the guidelines at <http://vanfueldata.dft.gov.uk/>

^{##}Fuel consumption and CO₂ emission data are determined according to the WLTP test cycle. Full data relating to WLTP test cycles can be found at: www.vauxhall.co.uk/wltp

MOVANO FUEL ECONOMY/EMISSIONS

| | NEDC mpg (litres/100km) [#] | | WLTP Fuel economy mpg (litres/100km) ^{##} | | | CO ₂ (g/km) ^{##} | |
|--|--------------------------------------|-------------------------------------|--|---------------|------|--------------------------------------|--|
| | Combined | CO ₂ (g/km) [#] | Combined Low | Combined High | High | Low | |
| L3 H1 RWD CHASSIS CAB EURO VI_d | | | | | | | |
| 3500 2.3 (130PS) Turbo D | 32.9 (8.6) | 224 | 21.1 (13.4) | 21.1 (13.4) | 350 | 350 | |
| 3500 2.3 (145PS) Turbo D S/S | 38.7 (7.3) | 191 | 20.8 (13.6) | 20.8 (13.6) | 256 | 256 | |
| 3500 DRW 2.3 (130PS) Turbo D | 32.9 (8.6) | 224 | 21.1 (13.4) | 21.1 (13.4) | 350 | 350 | |
| 4500 DRW 2.3 (165PS) Turbo D S/S | 34.9 (8.1) | 211 | 20.3 (13.9) | 20.3 (13.9) | 365 | 365 | |
| L4 H1 RWD CHASSIS CAB EURO VI_d | | | | | | | |
| 3500 DRW 2.3 (130PS) Turbo D | 32.9 (8.6) | 224 | 21.1 (13.4) | 21.1 (13.4) | 350 | 350 | |
| 3500 DRW 2.3 (145PS) Turbo D S/S | 38.7 (7.3) | 191 | 20.8 (13.6) | 20.8 (13.6) | 256 | 256 | |
| 4500 DRW 2.3 (165PS) Turbo D S/S | 34.9 (8.1) | 211 | 20.3 (13.9) | 20.3 (13.9) | 365 | 365 | |
| L2 H1 FWD CREW CAB EURO 6D TEMP | | | | | | | |
| 3500 2.3 (135PS) Turbo D | 39.2 (7.2) | 191 | 22.8 (12.4) | 22.8 (12.4) | 327 | 327 | |
| L3 H1 FWD CREW CAB EURO 6D TEMP | | | | | | | |
| 3500 2.3 (135PS) Turbo D | 39.2 (7.2) | 191 | 22.8 (12.4) | 22.8 (12.4) | 327 | 327 | |
| L3 H1 RWD CREW CAB EURO VI_d | | | | | | | |
| 3500 2.3 (130PS) Turbo D | 39.2 (7.2) | 224 | 21.1 (13.4) | 21.1 (13.4) | 350 | 350 | |
| 3500 DRW 2.3 (130PS) Turbo D | 39.2 (7.2) | 224 | 21.1 (13.4) | 21.1 (13.4) | 350 | 350 | |
| L4 H1 RWD CREW CAB EURO VI_d | | | | | | | |
| 3500 DRW 2.3 (130PS) Turbo D | 39.2 (7.2) | 224 | 21.1 (13.4) | 21.1 (13.4) | 350 | 350 | |

S/S = Start/Stop. DRW = Dual Rear Wheels.

For fuel economy and CO₂ two sets of data are provided. All engines are validated to emissions standard Euro 6D Temp (6.2) which uses the newer WLTP cycle. This cycle is intended to be a closer representation to economy achieved in the real world and is included for this transparency. NEDC figures are not from the older cycle but in fact are a derived back-correlation calculation from the WLTP test data. Some systems and protocols such as the 2020 CO₂ target will use this figure, and hence it is included for this, and also to enable comparison to outgoing models.

[#]Fuel consumption data and CO₂ emission data are determined using the Worldwide harmonized Light vehicles Test Procedure (WLTP), and the relevant values are translated back to allow the comparability into NEDC, according to regulations R (EC) No. 715/2007, R (EU) No. 2017/1153 and R (EU) No. 2017/1151. The values do not take into account in particular use and driving conditions, equipment or options and may vary depending on the format of tyres. For more information on official fuel consumption and CO₂ emission values, please read the guidelines at <http://vanfueldata.dft.gov.uk/>

^{##}Fuel consumption and CO₂ emission data are determined according to the WLTP test cycle. Full data relating to WLTP test cycles can be found at: www.vauxhall.co.uk/wltp

MOVANO FUEL ECONOMY/EMISSIONS

| | NEDC mpg (litres/100km) [#] | | WLTP Fuel economy mpg (litres/100km) ^{##} | | | CO ₂ (g/km) ^{##} | |
|--|--------------------------------------|-------------------------------------|--|---------------|------|--------------------------------------|--|
| | Combined | CO ₂ (g/km) [#] | Combined Low | Combined High | High | Low | |
| L3 H1 FWD PLATFORM CAB EURO 6D TEMP | | | | | | | |
| 3500 2.3 (135PS) Turbo D | 39.2 (7.2) | 191 | 22.8 (12.4) | 22.8 (12.4) | 327 | 327 | |
| 3500 2.3 (150PS) Turbo D S/S | 42.8 (6.6) | 175 | 23.0 (12.3) | 23.0 (12.3) | 323 | 323 | |
| L3 H2 FWD PLATFORM CAB EURO 6D TEMP | | | | | | | |
| 3500 2.3 (150PS) Turbo D S/S | 42.8 (6.6) | 175 | 23.0 (12.3) | 23.0 (12.3) | 323 | 323 | |
| L2 H1 FWD CHASSIS CAB TIPPER EURO 6D TEMP | | | | | | | |
| 3500 2.3 (135PS) Turbo D | 39.2 (7.2) | 191 | 22.8 (12.4) | 22.8 (12.4) | 327 | 327 | |
| L2 H1 RWD CHASSIS CAB TIPPER EURO V1d | | | | | | | |
| 3500 DRW 2.3 (130PS) Turbo D | 32.9 (8.6) | 224 | - | - | - | - | |
| 3500 DRW 2.3 (145PS) Turbo D S/S | 38.7 (7.3) | 191 | - | - | - | - | |
| L3 H1 RWD CHASSIS CAB TIPPER EURO V1d | | | | | | | |
| 3500 DRW 2.3 (130PS) Turbo D | 32.9 (8.6) | 224 | - | - | - | - | |
| L3 H1 FWD CREW CAB TIPPER EURO 6D TEMP (6-seater) | | | | | | | |
| 3500 2.3 (150PS) Turbo D S/S | 38.7 (7.3) | 191 | - | - | - | - | |
| L2 H1 FWD CHASSIS CAB DROPSIDE EURO 6D TEMP | | | | | | | |
| 3500 2.3 (135PS) Turbo D | 39.2 (7.2) | 191 | 22.8 (12.4) | 22.8 (12.4) | 327 | 327 | |
| L3 H1 FWD CHASSIS CAB DROPSIDE EURO 6D TEMP | | | | | | | |
| 3500 2.3 (135PS) Turbo D | 39.2 (7.2) | 191 | 22.8 (12.4) | 22.8 (12.4) | 327 | 327 | |

S/S = Start/Stop. DRW = Dual Rear Wheels.

For fuel economy and CO₂ two sets of data are provided. All engines are validated to emissions standard Euro 6D Temp (6.2) which uses the newer WLTP cycle. This cycle is intended to be a closer representation to economy achieved in the real world and is included for this transparency. NEDC figures are not from the older cycle but in fact are a derived back-correlation calculation from the WLTP test data. Some systems and protocols such as the 2020 CO₂ target will use this figure, and hence it is included for this, and also to enable comparison to outgoing models.

[#]Fuel consumption data and CO₂ emission data are determined using the Worldwide harmonized Light vehicles Test Procedure (WLTP), and the relevant values are translated back to allow the comparability into NEDC, according to regulations R (EC) No. 715/2007, R (EU) No. 2017/1153 and R (EU) No. 2017/1151. The values do not take into account in particular use and driving conditions, equipment or options and may vary depending on the format of tyres. For more information on official fuel consumption and CO₂ emission values, please read the guidelines at <http://vanfueldata.dft.gov.uk/>

^{##}Fuel consumption and CO₂ emission data are determined according to the WLTP test cycle. Full data relating to WLTP test cycles can be found at: www.vauxhall.co.uk/wltp

MOVANO FUEL ECONOMY/EMISSIONS

| | NEDC mpg (litres/100km) [#] | | WLTP Fuel economy mpg (litres/100km) ^{##} | | CO ₂ (g/km) ^{##} | |
|--|--------------------------------------|-------------------------------------|--|---------------|--------------------------------------|-----|
| | Combined | CO ₂ (g/km) [#] | Combined Low | Combined High | High | Low |
| L2 H1 RWD CHASSIS CAB DROPSIDE EURO VI_d | | | | | | |
| 3500 2.3 (130PS) Turbo D | 32.9 (8.6) | 224 | 21.1 (13.4) | 21.1 (13.4) | 350 | 350 |
| 3500 DRW 2.3 (130PS) Turbo D | 32.9 (8.6) | 224 | 21.1 (13.4) | 21.1 (13.4) | 350 | 350 |
| L3 H1 RWD CHASSIS CAB DROPSIDE EURO VI_d | | | | | | |
| 3500 DRW 2.3 (145PS) Turbo D S/S | 38.7 (7.3) | 191 | 20.8 (13.6) | 20.8 (13.6) | 256 | 256 |
| L4 H1 RWD CHASSIS CAB DROPSIDE EURO VI_d | | | | | | |
| 3500 DRW 2.3 (145PS) Turbo D S/S | 38.7 (7.3) | 191 | 20.8 (13.6) | 20.8 (13.6) | 256 | 256 |
| L3 H1 FWD CREW CAB DROPSIDE EURO 6D TEMP | | | | | | |
| 3500 2.3 (135PS) Turbo D | 39.2 (7.2) | 191 | 22.8 (12.4) | 22.8 (12.4) | 327 | 327 |
| L4 H1 RWD CREW CAB DROPSIDE EURO VI_d | | | | | | |
| 3500 2.3 (130PS) Turbo D | tba | tba | - | - | - | - |
| L3 H1 FWD CHASSIS CAB BOX VAN 20 cu.m EURO VI_d | | | | | | |
| 3500 DRW 2.3 (145PS) Turbo D | 38.7 (7.3) | 191 | 22.1 (12.8) | 22.1 (12.8) | 336 | 336 |

S/S = Start/Stop. DRW = Dual Rear Wheels.

For fuel economy and CO₂ two sets of data are provided. All engines are validated to emissions standard Euro 6D Temp (6.2) which uses the newer WLTP cycle. This cycle is intended to be a closer representation to economy achieved in the real world and is included for this transparency. NEDC figures are not from the older cycle but in fact are a derived back-correlation calculation from the WLTP test data. Some systems and protocols such as the 2020 CO₂ target will use this figure, and hence it is included for this, and also to enable comparison to outgoing models.

[#]Fuel consumption data and CO₂ emission data are determined using the Worldwide harmonized Light vehicles Test Procedure (WLTP), and the relevant values are translated back to allow the comparability into NEDC, according to regulations R (EC) No. 715/2007, R (EU) No. 2017/1153 and R (EU) No. 2017/1151. The values do not take into account in particular use and driving conditions, equipment or options and may vary depending on the format of tyres. For more information on official fuel consumption and CO₂ emission values, please read the guidelines at <http://vanfueldata.dft.gov.uk/>

^{##}Fuel consumption and CO₂ emission data are determined according to the WLTP test cycle. Full data relating to WLTP test cycles can be found at: www.vauxhall.co.uk/wltp

FEATURES/OPTIONS

SAFETY

| | Option code | Edition | Price (£) exc. VAT | Price (£) inc. VAT |
|--|-------------|---------|--------------------|--------------------|
| Driver/passenger airbags | | ● | | |
| • Driver's airbag | | | | |
| • Front passengers' airbag with deactivation switch – Not available with Convenience Pack option. | AK5 | ○ | 260.00 | 312.00 |
| Stability | | ● | | |
| • Electronic Stability Programme–plus (ESP–plus) with traction control and side wind assist – Works in conjunction with the vehicle's electronic braking and engine systems to keep the vehicle stable in many different situations. ESP monitors a variety of inputs to determine when the vehicle starts to lose traction, it can then immediately respond by varying the brake pressure between up to three wheels and adjust the engine output to help correct the loss of traction and improve stability. | | | | |
| Braking | | ● | | |
| • Four-channel Anti-lock Braking System (ABS) – Prevents the vehicle's wheels from locking up under heavy braking by momentarily reducing brake pressure at the appropriate wheel, ensuring that you can maintain control of the steering. | | | | |
| • Emergency brake assist – When emergency braking is detected the vehicle Automatically applies the maximum possible braking assistance. | | | | |
| • Electronic brakeforce distribution – Automatically apportions the optimum braking force to each wheel. | | | | |
| • Hill start assist – Briefly maintains rear brake pressure to stop the vehicle rolling back on an incline. | | | | |
| Advanced emergency brake assist | | ● | | |
| – Standard on RWD DRW 4500 models. | | | | |
| Advanced Safety Assist Pack | XiFJ | ○ | 550.00 | 660.00 |
| • High beam headlight assist • Lane departure warning • Side blind spot alert | | | | |
| Bulkhead | | ○ | | |
| • Full-height steel bulkhead without window – Standard on Panel Van/optional on Platform Cab models. | AX6 | ○ | 135.00 | 162.00 |
| • Full-height ABS plastic bulkhead with window – Doublecab only. | | ● | | |
| • Full-height steel bulkhead with window – Standard on Chassis/Crew Cab models. Optional on Panel Van/Platform Cab models. | AX9 | ○ | 50.00 | 60.00 |

● = Standard equipment. ○ = Optional at extra cost.

FEATURES/OPTIONS

SECURITY

| | Option code | Edition | Price (£) exc. VAT | Price (£) inc. VAT |
|---|-------------|---------|--------------------|--------------------|
| Standard security features • Electronic engine deadlock immobiliser • Steering column lock • Secure fuel filler flap | | ● | | |
| • Internal lockable rear and sliding side-access doors • Under-floor spare wheel storage – Wind down only when rear doors opened. Standard on Panel Van/Doublecab. | | ● | | |
| Remote control door locking (features depending on body type) • Selective door locking • Two keys with integral remote • Door deadlocks | | ● | | |
| • Third key with integral remote | K69 | ○ | 60.00 | 72.00 |
| Security alarm system • Engine compartment protection • Ultrasonic detectors in load area • Siren • Thatcham Category 1 approved (TCL1-101/1103) – Not available on Platform Cab models. | UA6 | ○ | 370.00 | 444.00 |

● = Standard equipment. ○ = Optional at extra cost.

FEATURES/OPTIONS

HEATING AND VENTILATION

| | Option code | Edition | Price (£) exc. VAT | Price (£) inc. VAT |
|--|-------------|---------|--------------------|--------------------|
| Cab heating • Four-speed fan • Illuminated controls • Four adjustable facia vents • Windscreen demist vents • Side window demist vents | | ● | | |
| Air conditioning • Air recirculation facility • Pollen filter • Illuminated controls • Chilled glovebox facility | C60 | ○ | 700.00 | 840.00 |

CABIN STORAGE

| | | | | |
|---|--|---|--|--|
| Accessory sockets • 12-volt accessory socket beside gear lever | | ● | | |
| Facia storage • Driver's coin, ticket and card holder • Driver's oddments storage • Lidded glovebox (11-litre capacity) • Central drinks holder • Front passenger semi-covered document tray | | ● | | |
| Front door pockets • Large door pocket with capacity for a 2-litre drink bottle • Oddments pocket | | ● | | |
| Additional storage • Overhead storage shelf | | ● | | |

Please note: The air conditioning in vehicles with N1, N2 or M2 type approval relies upon fluorinated greenhouse gases (R134a) for its functioning. The front system contains a quantity of overall 580g of R 134a, which corresponds to a CO₂ equivalent of 0.83 tons. The front and rear system in versions with up to 9-seats contains a quantity of overall 1,100g of R 134a, which corresponds to a CO₂ equivalent of 1.57 tons. The front and rear system in versions with more than 16-seats contains a quantity of overall 1,700g of R 134a, which corresponds to a CO₂ equivalent of 2.43 tons. The global warming potential amounts to 1430. Information acc. to R (EU) No. 517/2014.

● = Standard equipment. ○ = Optional at extra cost.

FEATURES/OPTIONS

COMFORT AND SEATING

| | Option code | Edition | Price (£) exc. VAT | Price (£) inc. VAT |
|---|-------------|---------|--------------------|--------------------|
| Comfort <ul style="list-style-type: none"> • Height-adjustable steering wheel • Facia-mounted gear lever • Floor-mounted handbrake lever • Pulse cloth seat trim • Vinyl floor covering • Inertia-reel lap and diagonal seatbelts • Height-adjustable outer front seatbelts | | ● | | |
| Vinyl seat trim <ul style="list-style-type: none"> • Grey vinyl seat trim – Not available on Doublecab models or with Convenience Pack/air-suspended driver's seat options/ dual front passengers' multi-function office bench seat. | TAVX | ○ | 50.00 | 60.00 |
| Driver's seat <ul style="list-style-type: none"> • Height • Reach • Backrest recline • Height-adjustable padded head restraint • Driver's seat armrest | | ● | | |
| 'Comfort' driver's seat <ul style="list-style-type: none"> • Lumbar adjustment • Height • Reach • Backrest recline • Height-adjustable padded head restraint • Centre fold-away armrest – Not available on L4 R3500 DRW Dropside models. | B21 | ○ | 135.00 | 162.00 |
| Dual front passengers' bench seat (standard on Panel Van models) <ul style="list-style-type: none"> • Fixed position bench seat and backrest • Height-adjustable outer front padded head restraint • Fixed centre seat padded head restraint – Not available on L3 H1 F3500 Crew Cab Tipper models. | | ● | | |
| Dual front passengers' multi-function office bench seat (standard on Doublecab models) <ul style="list-style-type: none"> • Dual front passengers' bench seat • Centre seat features flat-folding backrest with twin drinks holders, flat work surface and swivelling tray • Underseat storage – Not available on L3 H1 F3500 Crew Cab Tipper models. | | ● | | |

● = Standard equipment. ○ = Optional at extra cost.

FEATURES/OPTIONS

COMFORT AND SEATING CONTINUED

| | Option code | Edition | Price (£) exc. VAT | Price (£) inc. VAT |
|---|-------------|---------|--------------------|--------------------|
| Single front passenger's seat (standard on L3H1 F3500 Crew Cab Tipper models) • Reach • Backrest recline • Height-adjustable padded head restraint – Not available with Convenience Pack option. | AE1 | ○ | 60.00 | 72.00 |
| Convenience Pack (Panel Van) • 'Comfort' driver's seat with armrest and lumbar support • Multi-function office bench seat with folding seat back on centre passenger seat including swivelling work tray and tilt forward seat cushions with underseat storage • Retractable A4 facia document clip • 'One-touch down' facility for driver's electrically operated window • Bulkhead soundproofing – Not available when single front passenger's seat, front passengers' airbag or vinyl seat trim are specified. | XHIA | ○ | 450.00 | 540.00 |
| Doublecab rear seating • Four-individually contoured rear seats • Inertia-reel lap and diagonal seatbelts • Padded head restraints • Integrated storage nets and cup holders • Full-length tray under rear seat cushion | | ● | | |

● = Standard equipment. ○ = Optional at extra cost.

FEATURES/OPTIONS

DRIVER ASSISTANCE

| | Option code | Edition | Price (£) exc. VAT | Price (£) inc. VAT |
|---|---|---------|--------------------|--------------------|
| Windscreen wipers • Rain-sensitive windscreen wipers • Electric screenwash | | ● | | |
| Parking assistance • Surround rear vision – Panel Van/Doublecab models. | 5J6 | ○ | 850.00 | 1,020.00 |
| • Front and rear parking distance sensors – Not available on Chassis/Crew/Platform Cab models or derivatives. | UD5 | ○ | 300.00 | 360.00 |
| • Rear-view camera • Front and rear parking distance sensors – Not available on Chassis/Crew/Platform Cab models or derivatives. | UE5 | ○ | 450.00 | 540.00 |
| • Rear parking distance sensors – Not available on Chassis/Crew/Platform Cab models or derivatives. | UD7 | ○ | 275.00 | 330.00 |
| • Nearside blind spot/junction mirror located in front passenger sunvisor | | ● | | |
| Cruise control, speed limiter and multi-function trip computer • Cruise control • Trip odometer • Vehicle range based on remaining fuel • Average speed • Average fuel economy • Instantaneous fuel economy • Driving time | K34 | ○ | 260.00 | 312.00 |
| Speed limiter – These are factory-fitted speed limiters that cannot be adjusted by driver. • Choice of three speeds: 56mph/62mph/68mph – 56mph speed limiter standard on RWD DRW 4500 models. | KYJ (56mph) KYK (62mph) KYL (68mph) | ○ | 85.00 | 102.00 |

● = Standard equipment. ○ = Optional at extra cost.

FEATURES/OPTIONS

DRIVER INFORMATION

| | Option code | Edition | Price (£) exc. VAT | Price (£) inc. VAT |
|---|-------------|---------|--------------------|--------------------|
| Instrumentation <ul style="list-style-type: none"> • Speedometer • Rev counter • Digital fuel gauge with low fuel warning light • Coolant temperature gauge with warning light | | ● | | |
| ECO features <ul style="list-style-type: none"> • Shift-up indicator (manual models) – Indicates when to change gear for optimum fuel economy | | ● | | |
| Driver information display <ul style="list-style-type: none"> • Monochrome display located in instrument cluster • Odometer • Service-due indicator • Displays trip computer data (when fitted) | | ● | | |
| Central fascia display <ul style="list-style-type: none"> • Audio information • Digital clock with Automatic RDS time adjustment • Outside air temperature with ice warning function • Additional features and location dependent on infotainment unit (see Infotainment for details) | | ● | | |
| Warning indicators <ul style="list-style-type: none"> • Low oil level, low brake fluid, brake pad wear, battery, fuel filter, low AdBlue® level, seatbelt warning and doors open | | ● | | |
| Smart digital tachograph <ul style="list-style-type: none"> • CANbus interface • Odometer display is changed from miles to kilometres – Standard on RWD DRW 4500 models. – Important: The digital tachograph must be specified at time of ordering as it cannot be fitted retrospectively. Option price does not include calibration which must be carried out at an approved tachograph centre within 14 days of the vehicle's registration. Please note: The legislation regarding the use of tachographs is complex and operators should seek independent advice or speak to the Commercial Vehicle specialist at your Vauxhall Retailer to ensure compliance. Alternatively your local DVLA office will also be able to provide clarification of the relevant legislation. | TGF | ○ | 535.00 | 642.00 |

● = Standard equipment. ○ = Optional at extra cost.

FEATURES/OPTIONS

INFOTAINMENT

| | Option code | Edition | Price (£) exc. VAT | Price (£) inc. VAT |
|---|-------------|---------|--------------------|--------------------|
| <p>CD 16 BT USB</p> <p>Onboard features:</p> <ul style="list-style-type: none"> • DAB digital radio • AM/FM stereo radio with 18-station presets • CD/MP3 CD player • High-level display • RDS with Traffic Programme • Two 15-watt speakers <p>Media connections:</p> <ul style="list-style-type: none"> • USB connection with iPod control • Aux-in socket • Bluetooth® audio streaming (A2DP Profile) <p>Mobile phone portal:</p> <ul style="list-style-type: none"> • Bluetooth® connectivity • Vehicle microphone • Phone book access – Contacts/last calls/missed calls etc. (features dependent on mobile phone) | | ● | | |
| <p>Multimedia Navi Pro</p> <p>Onboard features:</p> <ul style="list-style-type: none"> • 7-inch colour touchscreen • AM/FM stereo radio with 15 Station presets • DAB Digital radio • RDS with Traffic Programme • 20 watts per channel output • Four speakers (eight on Doublecab models) <p>Navigation features:</p> <ul style="list-style-type: none"> • Satellite navigation system • 3D street level mapping • European coverage • Structured or one-box destination entry • Points-of-interest search • Eco routing • Map updates via USB <p>Wi-fi enabled connected navigation features:</p> <ul style="list-style-type: none"> • Local weather information • Nearby fuel station display • Local address search and contact info for points of interest <p>Media connections:</p> <ul style="list-style-type: none"> • USB connection with iPod control • Bluetooth® A2DP audio streaming (Advanced Audio Distribution Profile) <p>Mobile phone portal:</p> <ul style="list-style-type: none"> • Bluetooth® connectivity • Handsfree calls via steering wheel controls • Vehicle microphone • Phone book access – Contacts/last calls/missed calls etc. are mirrored on the display and are easily navigated using the touchscreen (features dependent on mobile phone). <p>Smartphone interface:</p> <ul style="list-style-type: none"> • Apple CarPlay • Android Auto™ – Smartphone projection that allows operations via voice command, touchscreen and buttons to control apps and music playback. | 1OR | ○ | 760.00 | 912.00 |
| <ul style="list-style-type: none"> • Steering column mounted audio controls • Flexible roof-mounted aerial | | ● | | |

● = Standard equipment. ○ = Optional at extra cost.

FEATURES/OPTIONS

LOAD ACCESS

| | Option code | Edition | Price (£) exc. VAT | Price (£) inc. VAT |
|--|-------------|---------|--------------------|--------------------|
| Nearside access Nearside side-access door: <ul style="list-style-type: none"> • Nearside sliding side-access door • Unglazed - Standard on Panel Van. | | ● | | |
| Nearside side-access door with fixed windows: <ul style="list-style-type: none"> • Fixed window to standard nearside sliding side-access door (£200) • Fixed window to opposite offside body panel (£165) - Standard on Doublecab. | | ▲ | 365.00 | 438.00 |
| Nearside side-access door with sliding windows: <ul style="list-style-type: none"> • Sliding window to standard nearside sliding side-access door (£335) • Sliding window to opposite offside body panel (£335) | | ▲ | 670.00 | 804.00 |
| Offside access Offside side-access door: <ul style="list-style-type: none"> • Offside sliding side-access door • Unglazed - Panel Van only. | | ▲ | 310.00 | 372.00 |
| Offside side-access door with fixed windows: <ul style="list-style-type: none"> • Fixed window to standard nearside sliding side-access door (£200) • Offside side-access door (£310) • Fixed window to offside side-access door (£165) | | ▲ | 675.00 | 810.00 |
| Offside side-access door with sliding windows: <ul style="list-style-type: none"> • Sliding window to standard nearside sliding side-access door (£335) • Offside side-access door (£310) • Sliding window to offside side-access door (£335) | | ▲ | 980.00 | 1,176.00 |

● = Standard equipment. ▲ = Please refer to ordering guide.

FEATURES/OPTIONS

LOAD ACCESS CONTINUED

| | Option code | Edition | Price (£) exc. VAT | Price (£) inc. VAT |
|---|-------------|---------|--------------------|--------------------|
| Rear access | | | | |
| Rear solid doors: • Twin rear doors • 90°/180° opening | | ● | | |
| • Twin rear doors • 270° opening – Not available on L1 models | 7U4 | ○ | 285.00 | 342.00 |
| Rear glazed doors: • Glazed rear doors • 90°/180° opening | J1X | ○ | 110.00 | 132.00 |
| • Heated rear windows – Only available with glazed rear doors. | C49 | ○ | 110.00 | 132.00 |
| Glazed Pack | | | | |
| • Fixed window to standard nearside side-access door • Fixed window to opposite offside body panel • Rear glazed doors • Rear glazed side panels | A10 | ○ | 430.00 | 516.00 |

● = Standard equipment. ○ = Optional at extra cost.

FEATURES/OPTIONS

LOAD RESTRAINT

| | Option code | Edition | Price (£) exc. VAT | Price (£) inc. VAT |
|--|-------------|---------|--------------------|--------------------|
| Load anchorage • Fixed floor-mounted load restraint lashing eyes (L1 models x 6, L2/L3 models x 8, L4 models x 10) • Nearside/offside rear door column load restraint lashing eyes | | ● | | |
| Load lining • Full-height plywood load lining • Plywood wheel arch protection – Not available with glazed side-access door(s). Only available with resin-coated plywood load floor covering. | N20 | L1 H1 ○ | 590.00 | 708.00 |
| | | L1 H2 ○ | 600.00 | 720.00 |
| | | L2 ○ | 615.00 | 738.00 |
| | | L3 ○ | 630.00 | 756.00 |
| | | L4 ○ | 780.00 | 936.00 |
| • Resin-coated plywood load floor covering – Panel Van only. | B68 | L1/L2 ○ | 330.00 | 396.00 |
| | | L3/L4 ○ | 370.00 | 444.00 |
| Illuminated load area | | ● | | |

● = Standard equipment. ○ = Optional at extra cost.

FEATURES/OPTIONS

EXTERIOR CONVENIENCE/STYLING

| | Option code | Edition | Price (£) exc. VAT | Price (£) inc. VAT |
|---|-------------|---------|----------------------|--------------------|
| Exterior features • Integral steps in front bumper • Laminated windscreen • Body side-protection mouldings | | ● | | |
| • Front and rear mudflaps | Q8H | ○ | 80.00 | 96.00 |
| • Rear bumper with integral step – Standard on RWD/RWD DRW Panel Van/Doublecab models. Optional on FWD Panel Van/Doublecab models. | VF6 | ○ | 260.00 | 312.00 |
| Windows • Electrically operated front windows | | ● | | |
| Door mirrors • Foldable electrically adjustable/heated door mirrors • Wide-angle mirror on driver's side • Integrated side-repeat indicators | | ● | | |
| Extendable door mirrors (Chassis, Crew and Platform Cab) • Long arm exterior mirrors – Long arm exterior mirrors should be applied to any vehicle with an overall width of 2.17 to 2.35 metres. | DBE | ○ | 85.00 | 102.00 |
| Paint finish • Special paint – Restrictions apply, please consult your Retailer for details. | | ○ | At extra cost | |

EXTERIOR LIGHTING

| | | | | |
|--|-----|---|--------|--------|
| Standard lighting • Automatic lighting control with tunnel detection • Lights-on audible warning • Manual headlight beam levelling • Twin reversing lights • Hazard warning lights • Rear fog lights • Centre rear brake light (excluding Chassis/Crew/Platform Cab models or derivatives) • Side-repeater in exterior mirrors | | ● | | |
| • Front fog lights – Standard on 4500 models. | T3U | ○ | 105.00 | 126.00 |

● = Standard equipment. ○ = Optional at extra cost.

FEATURES/OPTIONS

MECHANICAL

| | Option code | Edition | Price (£) exc. VAT | Price (£) inc. VAT | | | | | | | | | | | | | | | | | | |
|--|-----------------|-----------------|------------------------|--------------------|-----------------|-----------------|--------------------|-----------------|-----------------|--------|-----------------|-----------------|----------------|-----------------|-----------------|----------------|-----------------|-----------------|--|---|--|--|
| <p>Transmission</p> <p>Six-speed manual gearbox: FWD models: • Transverse engine/gearbox • L1/L2/L3 models RWD/RWD DRW models: • Longitudinal engine/gearbox • L3/L4 models</p> | | ● | | | | | | | | | | | | | | | | | | | | |
| <p>Tecshift six-speed transmission: Tecshift transmission adds electronic control for both the clutch and gear selection to the standard six speed transmission.</p> <ul style="list-style-type: none"> • Electronic clutch control – Tecshift Automatically operates the clutch, meaning that there is no clutch pedal and the vehicle can be driven by an ‘Automatic-only’ driving licence holder. • Electronic gear selection – Tecshift also controls gear selection, leaving the driver with two gear-shifting options. <ul style="list-style-type: none"> – Automatic or manual. • Automatic mode – The driver selects forward or reverse gear and Tecshift does everything else, just like an Automatic gearbox. • Manual mode – The driver can change gear sequentially by pushing the lever forward (higher gear) or pulling it backwards (lower gear). • A ‘kickdown’ function – Going through two or more gears – is also possible in manual mode | | ○ | See price pages | | | | | | | | | | | | | | | | | | | |
| <p>Steering</p> <ul style="list-style-type: none"> • Power-assisted rack and pinion system • Turns lock-to-lock: 3.7 | | | | | | | | | | | | | | | | | | | | | | |
| <table border="1"> <thead> <tr> <th>Turning circles</th> <th>Kerb-to-kerb</th> <th>Wall-to-wall</th> </tr> </thead> <tbody> <tr> <td>FWD L1</td> <td>12.0m (39.3ft.)</td> <td>12.5m (41.0ft.)</td> </tr> <tr> <td>FWD/RWD/RWD DRW L2</td> <td>13.6m (44.6ft.)</td> <td>14.1m (46.2ft.)</td> </tr> <tr> <td>FWD L3</td> <td>15.7m (51.5ft.)</td> <td>16.2m (53.1ft.)</td> </tr> <tr> <td>RWD/RWD DRW L3</td> <td>13.6m (44.6ft.)</td> <td>14.1m (46.2ft.)</td> </tr> <tr> <td>RWD/RWD DRW L4</td> <td>15.7m (51.5ft.)</td> <td>16.2m (53.1ft.)</td> </tr> </tbody> </table> | Turning circles | Kerb-to-kerb | Wall-to-wall | FWD L1 | 12.0m (39.3ft.) | 12.5m (41.0ft.) | FWD/RWD/RWD DRW L2 | 13.6m (44.6ft.) | 14.1m (46.2ft.) | FWD L3 | 15.7m (51.5ft.) | 16.2m (53.1ft.) | RWD/RWD DRW L3 | 13.6m (44.6ft.) | 14.1m (46.2ft.) | RWD/RWD DRW L4 | 15.7m (51.5ft.) | 16.2m (53.1ft.) | | ● | | |
| Turning circles | Kerb-to-kerb | Wall-to-wall | | | | | | | | | | | | | | | | | | | | |
| FWD L1 | 12.0m (39.3ft.) | 12.5m (41.0ft.) | | | | | | | | | | | | | | | | | | | | |
| FWD/RWD/RWD DRW L2 | 13.6m (44.6ft.) | 14.1m (46.2ft.) | | | | | | | | | | | | | | | | | | | | |
| FWD L3 | 15.7m (51.5ft.) | 16.2m (53.1ft.) | | | | | | | | | | | | | | | | | | | | |
| RWD/RWD DRW L3 | 13.6m (44.6ft.) | 14.1m (46.2ft.) | | | | | | | | | | | | | | | | | | | | |
| RWD/RWD DRW L4 | 15.7m (51.5ft.) | 16.2m (53.1ft.) | | | | | | | | | | | | | | | | | | | | |
| <p>Brakes</p> <p>Front ventilated disc brakes: • FWD/RWD/RWD DRW: 302mm x 28mm</p> <p>Rear disc brakes: • FWD/RWD: 305mm x 12mm • RWD DRW: 305mm x 18mm</p> | | ● | | | | | | | | | | | | | | | | | | | | |

● = Standard equipment. ○ = Optional at extra cost.

FEATURES/OPTIONS

MECHANICAL CONTINUED

| | Option code | Edition | Price (£) exc. VAT | Price (£) inc. VAT |
|---|-------------|---------|--------------------|--------------------|
| Fuel tank | | ● | | |
| • 80 litres (17.6 gallons) capacity | | | | |
| • 105 litres (23.1 gallons) capacity – Not available on Core Conversions (excluding L3 Box) | NH7 | ○ | 110.00 | 132.00 |
| AdBlue® tank | | ● | | |
| • 26 litres (5.7 gallons) capacity | | | | |
| Towing | | | | |
| • Tow bar with 13-pin electrics (does not suit trailers with LED lights) • Trailer stability programme – Unless specific exemptions apply, vehicles operated with a trailer, where the combined weight of the vehicle, trailer and payload exceeds 3500kg, require a digital tachograph. For trailers with LED lights use genuine Vauxhall Accessory tow bars which also include trailer stability programme. Not available on Aluminium Tipper L4 H1 RWD Crew Cab DRW models. | VR2/VTO | ○ | 385.00 | 462.00 |
| Electrical | | ● | | |
| • 95Ah maintenance-free battery (105Ah on Tecshift models) • 185A alternator | | | | |
| • Second battery – Requires six-pin electrical connector. Not available with single passenger seat options, spare wheel or Convenience Pack on FWD models. | OBC | ○ | 485.00 | 582.00 |
| CANbus interface | | | | |
| Allows the vehicle's electrical systems to integrate with additional equipment – Standard on RWD DRW 4500 models. | KC6 | ○ | 135.00 | 162.00 |
| Six-pin electrical connector for conversions | | | | |
| – Standard on Droptside/Tipper. | KPD | ○ | 60.00 | 72.00 |

● = Standard equipment. ○ = Optional at extra cost.

FEATURES/OPTIONS

MECHANICAL CONTINUED

| | Option code | Edition | Price (£) exc. VAT | Price (£) inc. VAT |
|--|-------------|---------|--------------------|--------------------|
| Front suspension • MacPherson type • Independent double wishbones • Coil springs • Telescopic dampers | | ● | | |
| Rear suspension • Tubular axle • Telescopic dampers • Variable rate leaf springs FWD models: • Single leaf springs • Single rear wheels RWD models: • Double leaf springs • Single rear wheels RWD DRW models: • Triple leaf springs • Twin rear wheels | | ● | | |
| Body Conversion Pack A (Chassis Cab) • Extended wiring loom • Six-pin connector for conversions • 16-pin connector for cab-based conversions | XZCM | ○ | 95.00 | 114.00 |
| Body Conversion Pack B (Crew and Platform Cab) • Extended wiring loom • Six-pin connector for conversions | XZCN | ○ | 60.00 | 72.00 |

● = Standard equipment. ○ = Optional at extra cost.


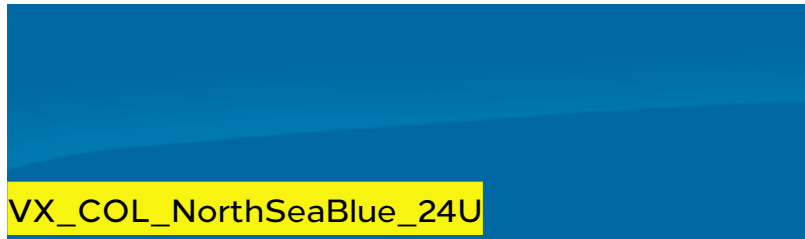
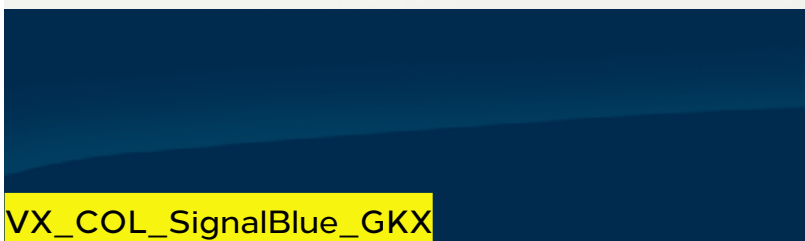
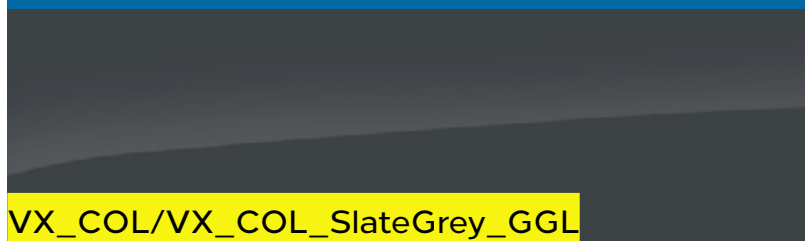
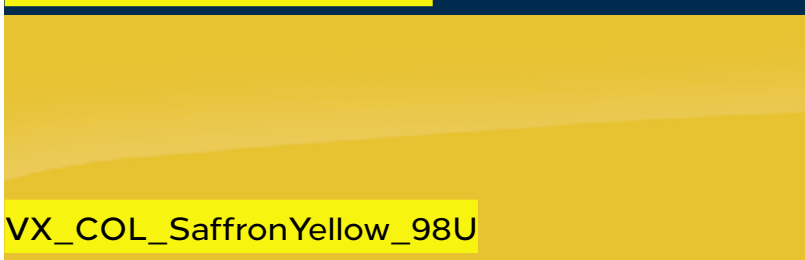


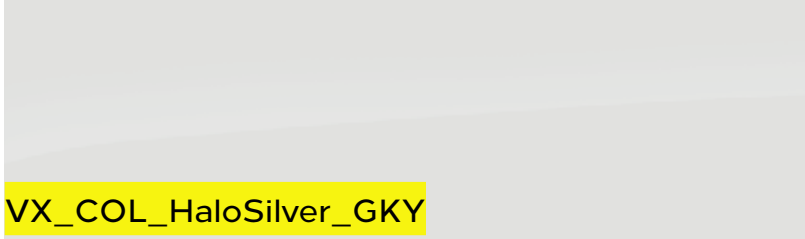

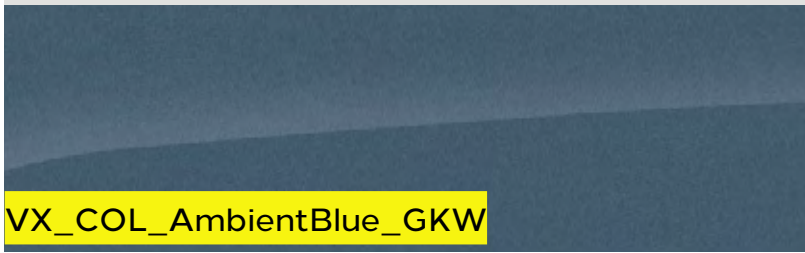
FEATURES/OPTIONS

ADDITIONAL FEATURES

| | Option code | Edition | Price (£) exc. VAT | Price (£) inc. VAT |
|---|-------------|---------|--------------------|--------------------|
| <p>Tipper</p> <p>Tipper assembly:</p> <ul style="list-style-type: none"> • Five-stage chrome-plated underfloor ram • Sliding and internal self-lubricating components made of reinforced nylon and Teflon • Anti-vibration Teflon plates on a secondary frame <p>Tipper deck:</p> <ul style="list-style-type: none"> • Steel platform, powder coated in dark grey • Integrated cabin protection and ladder rack • 400mm anodised aluminium removable side and rear alloy panels with recessed hinges • Top and bottom hinged rear panel • Recessed side and tailboard operating levers • Removable rear posts • Galvanised fixing bolts • Automatically releasing rear panel during the rear tipping phase • Frame and cross-members in edged galvanised sheet <p>Electrics:</p> <ul style="list-style-type: none"> • Audible warning during operation • Fused power supply with isolator switch • Electro/hydraulic power pack • Side lights where required • Remote control on wander lead located behind driver's seat <p>Exterior:</p> <ul style="list-style-type: none"> • Additional half-height tool box on L3 Chassis Cab Tipper models (2100 x 650 x 750mm) • Rear mudflaps • Side-protection under-run bars – 4500 models only. <p>Load restraint:</p> <ul style="list-style-type: none"> • Eight integrated load lashing points conforming to DIN 75410 standards | | ● | | |
| <p>Dropside</p> <p>Exterior:</p> <ul style="list-style-type: none"> • Plywood load floor with non-slip resin surface coating • Integrated cabin protection and ladder rack • 400mm anodised aluminium removable side and rear alloy panels with recessed hinges • Removable rear posts • Integrated load lashing rings conforming to DIN 75410 standards • Rear mudguards • Galvanised fixing bolts • Side lights where required • Frame and cross-members in edged galvanised sheet • Side-protection under-run bars – 4500 models only. | | ● | | |
| <p>Box Van</p> <p>Interior/exterior:</p> <ul style="list-style-type: none"> • Polyester lightweight box with smooth external appearance • Aluminium frame • Long arm exterior mirrors • 18mm plywood covered anti-slip floor • Twin rear 270° opening aluminium doors • Folding rear step fitted to offside | | ● | | |
| Rear roller shutter door | D5W | ○ | 760.00 | 912.00 |

● = Standard equipment. ○ = Optional at extra cost.

EXTERIOR COLOURS

| | | | | Edition | Price (£) exc. VAT | Price (£) inc. VAT | | |
|-----------|--|------------------------------------|--|---------|-----------------------|-----------------------|-----------------------------|-------------------------|
| Solid |  VX_COL_PolarWhite_GNY | Polar White (GNY) |  VX_COL_NorthSeaBlue_24U | ● | | | | |
| |  VX_COL_SignalBlue_GKX | Signal Blue (GKX) |  VX_COL/VX_COL_SlateGrey_GGL | | | | North Sea Blue (24U) | Slate Grey (GGL) |
| |  VX_COL_SaffronYellow_98U | Saffron Yellow (98U) | | | | | | |
| Brilliant |  VX_COL_PoppyRed_74U | Poppy Red (74U) |  VX_COL_MandarinOrange_99U | ○ | 317.00 | 380.40 | | |
| Two-coat |  VX_COL_HaloSilver_GKY | Halo Silver metallic (GKY) |  VX_COL_PearlBlack_GUK | ○ | 625.00 | 750.00 | | |
| |  VX_COL_AmbientBlue_GKW | Ambient Blue metallic (GKW) | | | | | | |

The colours reproduced may vary slightly from the actual paint colour. As a result they should be used as a guide only. Your Vauxhall Retailer has a comprehensive display of our paint samples.
On Cab and Conversion variants the colours illustrated apply to the vehicle cab only.

● = Standard equipment. ○ = Optional at extra cost.

WHEELS AND TYRES

| | Option code | Edition | Price (£) exc. VAT | Price (£) inc. VAT |
|--|-------------|---------|--------------------|--------------------|
| FWD 2800/3300 models <ul style="list-style-type: none"> • 6.5J x 16-inch steel wheels • 215/65 R 16 tyres • Full-size spare wheel • Wheel centre covers | | ● | | |
| FWD 3500 models <ul style="list-style-type: none"> • 6.5J x 16-inch steel wheels • 225/65 R 16 tyres • Full-size spare wheel • Wheel centre covers | | ● | | |
| RWD 3500 models <ul style="list-style-type: none"> • 7J x 16-inch steel wheels • 235/65 R 16 tyres • Full-size spare wheel • Wheel centre covers | | ● | | |
| RWD DRW 3500/4500 models <ul style="list-style-type: none"> • 5.5J x 16-inch steel wheels • 195/75 R 16 tyres • Twin rear wheels • Full-size spare wheel | | ● | | |
| All-season tyres – Continental Vanco Four Season 2 FWD models only: 225/65 R 16 – Not available on FWD 2800 models. | NRK | ○ | 360.00 | 432.00 |
| Full-diameter wheel covers – Not available on RWD DRW models. | QP9 | ○ | 60.00 | 72.00 |
| Tyre inflation kit in lieu of spare wheel – Not available on RWD/RWD DRW models. | WTC | N/C | No-cost option | |

● = Standard equipment. ○ = Optional at extra cost. N/C = No-cost option.

DIESEL ENGINES

| Engine (Front-wheel drive models) | 2.3 (135PS) Turbo D BlueInjection | 2.3 (150PS) Turbo D BlueInjection with S/S | 2.3 (180PS) Turbo D BlueInjection with S/S |
|--|--|--|--|
| Capacity | 2298cc | 2298cc | 2298cc |
| Maximum power | 135PS (99kW) @ 3500rpm | 150PS (110kW) @ 3500rpm | 180PS (132kW) @ 3500rpm |
| Maximum torque | 360Nm (266 lb.ft.) @ 1600rpm | 385Nm (284 lb.ft.) @ 1750rpm | 400Nm (295 lb.ft.) @ 1500-2750rpm |
| Configuration | 4 cylinders, 4 valves per cylinder, double overhead camshafts | 4 cylinders, 4 valves per cylinder, double overhead camshafts | 4 cylinders, 4 valves per cylinder, double overhead camshafts |
| Fuel/induction system | Twin variable geometry turbochargers with intercoolers. Common rail fuel injection | Twin variable geometry turbochargers with intercoolers. Common rail fuel injection | Twin variable geometry turbochargers with intercoolers. Common rail fuel injection |
| Emission compliance | Euro 6D TEMP | Euro 6D TEMP | Euro 6D TEMP |
| WLTP fuel economy range – mpg (l/100km) | 26.9 (10.5) – 31.4 (9.0) | 27.4 (10.3) – 32.2 (8.8) | 26.9 (10.5) – 31.4 (9.0) |
| WLTP CO ₂ emission range – g/km | 276 – 236 | 270 – 230 | 277 – 235 |
| Service interval | 25,000 miles or two years (whichever occurs sooner) | 25,000 miles or two years (whichever occurs sooner) | 25,000 miles or two years (whichever occurs sooner) |

| Engine (Rear-wheel drive models*) | 2.3 (130PS) Turbo D BlueInjection | 2.3 (145PS) Turbo D BlueInjection with S/S | 2.3 (165PS) Turbo D BlueInjection with S/S |
|-----------------------------------|--|--|--|
| Capacity | 2298cc | 2298cc | 2298cc |
| Maximum power | 130PS (96kW) @ 3500rpm | 145PS (107kW) @ 3500rpm | 165PS (120kW) @ 3500rpm |
| Maximum torque | 330Nm (243 lb.ft.) @ 1500rpm | 360Nm (266 lb.ft.) @ 1500rpm | 380Nm (266 lb.ft.) @ 2000rpm |
| Configuration | 4 cylinders, 4 valves per cylinder, double overhead camshafts | 4 cylinders, 4 valves per cylinder, double overhead camshafts | 4 cylinders, 4 valves per cylinder, double overhead camshafts |
| Fuel/induction system | Twin variable geometry turbochargers with intercoolers. Common rail fuel injection | Twin variable geometry turbochargers with intercoolers. Common rail fuel injection | Twin variable geometry turbochargers with intercoolers. Common rail fuel injection |
| Emission compliance | EuroVIId | EuroVIId | EuroVIId |
| Service interval | 25,000 miles or two years (whichever occurs sooner) | 25,000 miles or two years (whichever occurs sooner) | 25,000 miles or two years (whichever occurs sooner) |

S/S = Start/Stop. *RWD heavy-duty engines have no requirement to comply with WLTP legislation.

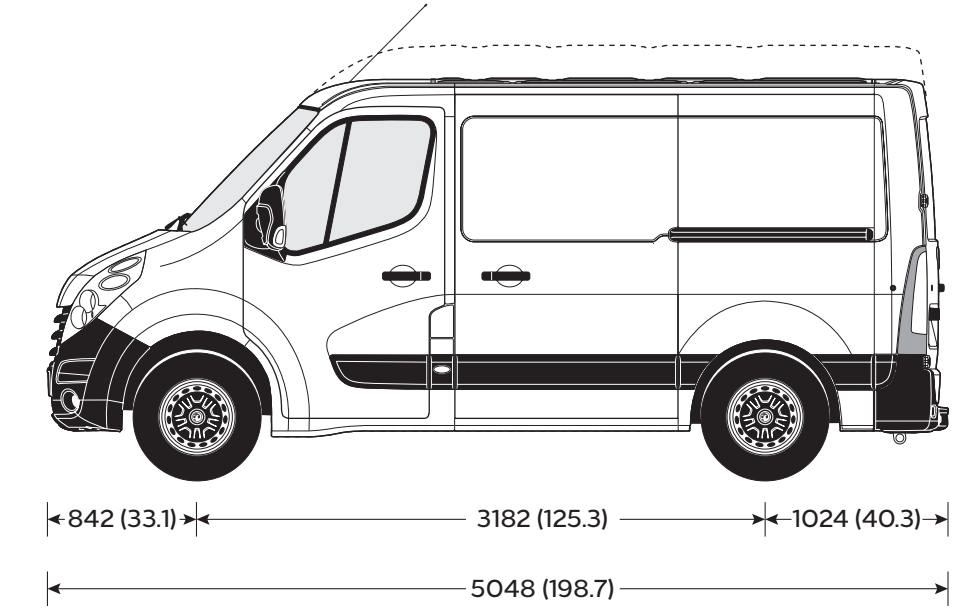
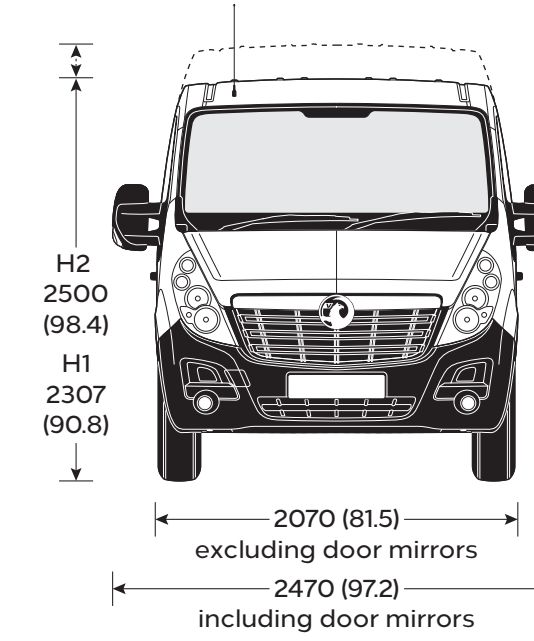
Vehicles with BlueInjection technology will need regular AdBlue® top-ups also between servicing requirements. An indicator integrated into the on-board computer will warn you when you need to top up. More information under www.vauxhall.co.uk/adblue
In accordance with regulations R (EC) No. 715/2007 and R (EC) No. 692/2008 (in the versions respectively applicable).

MOVANO FWD PANEL VAN SPECIFICATIONS

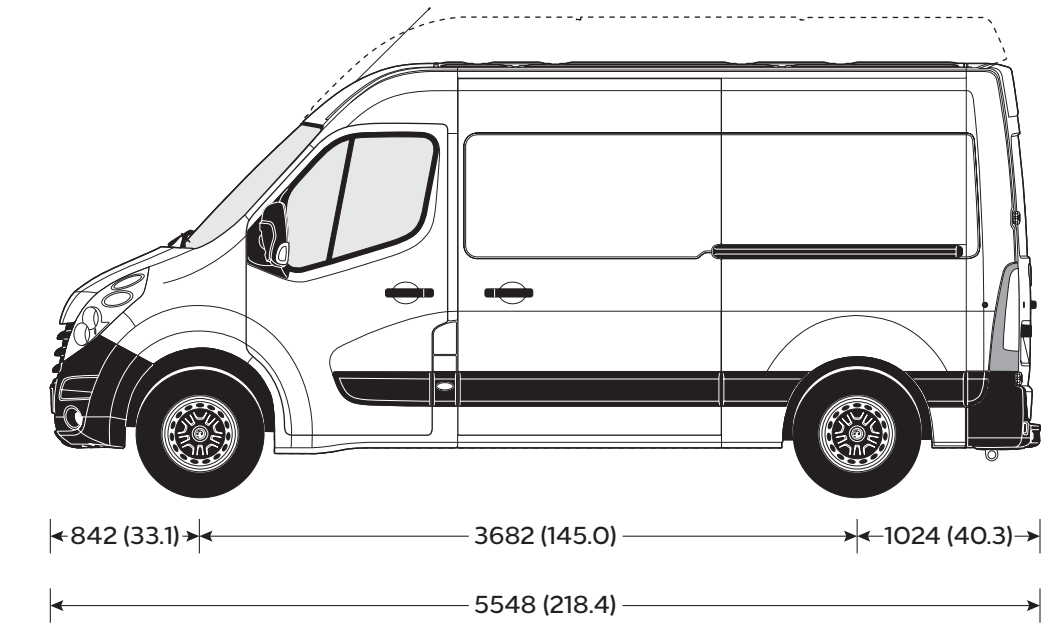
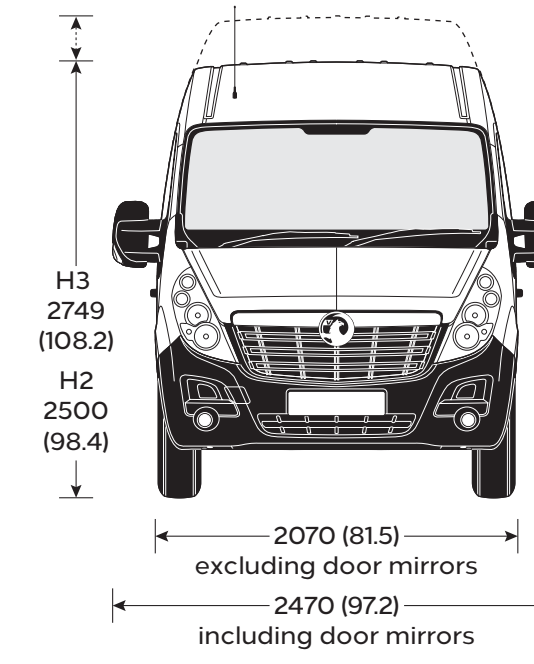
| Loadspace Dimensions | L1 | L2 | L3 |
|----------------------------|--------------|--------------|--------------|
| Maximum length | 2583 (101.7) | 3083 (121.4) | 3733 (147.0) |
| Maximum width | 1765 (69.5) | 1765 (69.5) | 1765 (69.5) |
| Width between wheel arches | 1380 (54.3) | 1380 (54.3) | 1380 (54.3) |
| Maximum height – H1 | 1700 (66.9) | – | – |
| Maximum height – H2 | 1894 (74.6) | 1894 (74.6) | 1894 (74.6) |
| Maximum height – H3 | – | 2144 (84.4) | 2144 (84.4) |

| Loadspace Access | L1 | L2 | L3 |
|-----------------------------------|-------------|-------------|-------------|
| Side door aperture height – H1 | 1581 (62.2) | – | – |
| Side door aperture height – H2/H3 | 1780 (70.1) | 1780 (70.1) | 1780 (70.1) |
| Side door aperture width | 1050 (41.3) | 1270 (50.0) | 1270 (50.0) |
| Rear door aperture height – H1 | 1627 (64.0) | – | – |
| Rear door aperture height – H2/H3 | 1820 (71.7) | 1820 (71.7) | 1820 (71.7) |
| Rear door aperture width | 1577 (62.1) | 1577 (62.1) | 1577 (62.1) |
| Loading height (unladen) | 563 (22.2) | 562 (22.1) | 557 (21.9) |

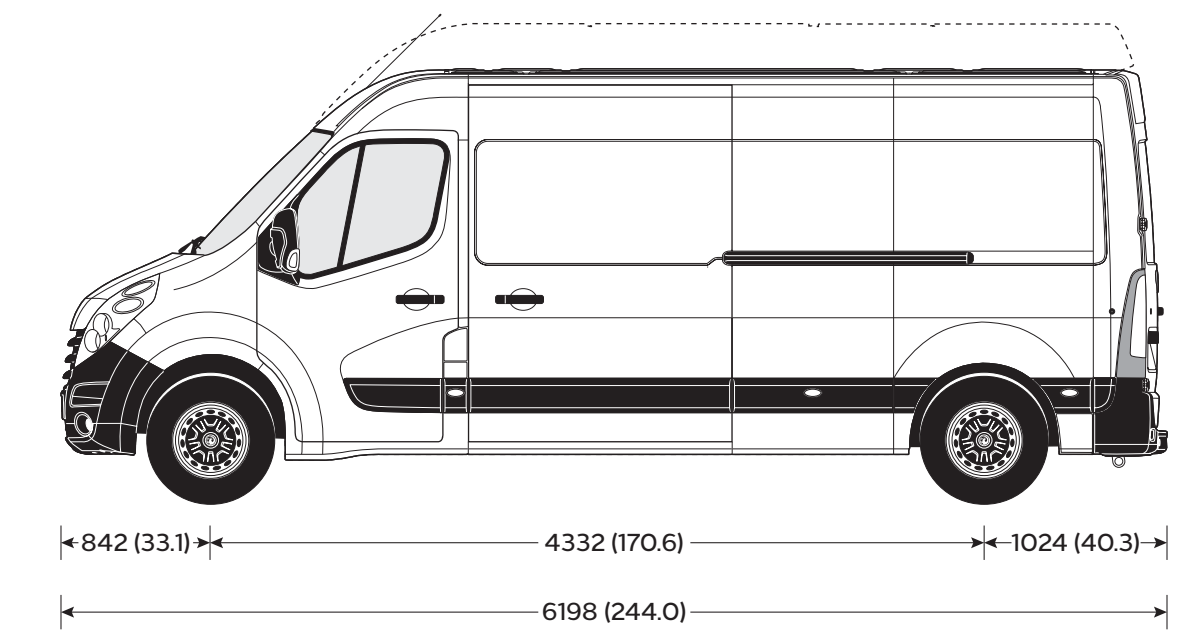
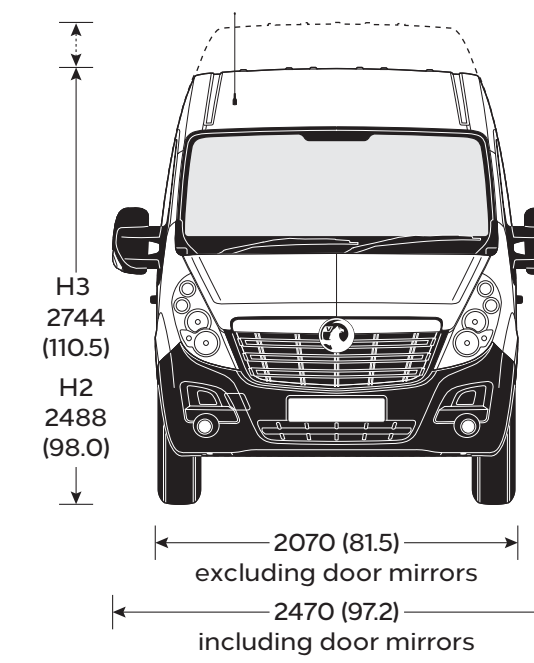
| | L1 H1 | L1 H2 | L2 H2 | L2 H3 | L3 H2 | L3 H3 |
|--|-----------|-----------|------------|------------|------------|------------|
| Loadspace Volumes cu.m (cu.ft.) | | | | | | |
| Panel Van – Maximum | 7.8 (275) | 8.6 (304) | 10.8 (381) | 12.3 (434) | 13.0 (459) | 14.8 (523) |
| Panel Van – VDA | 7.0 (247) | – | 9.4 (322) | – | 11.3 (399) | – |



L1 H1/H2



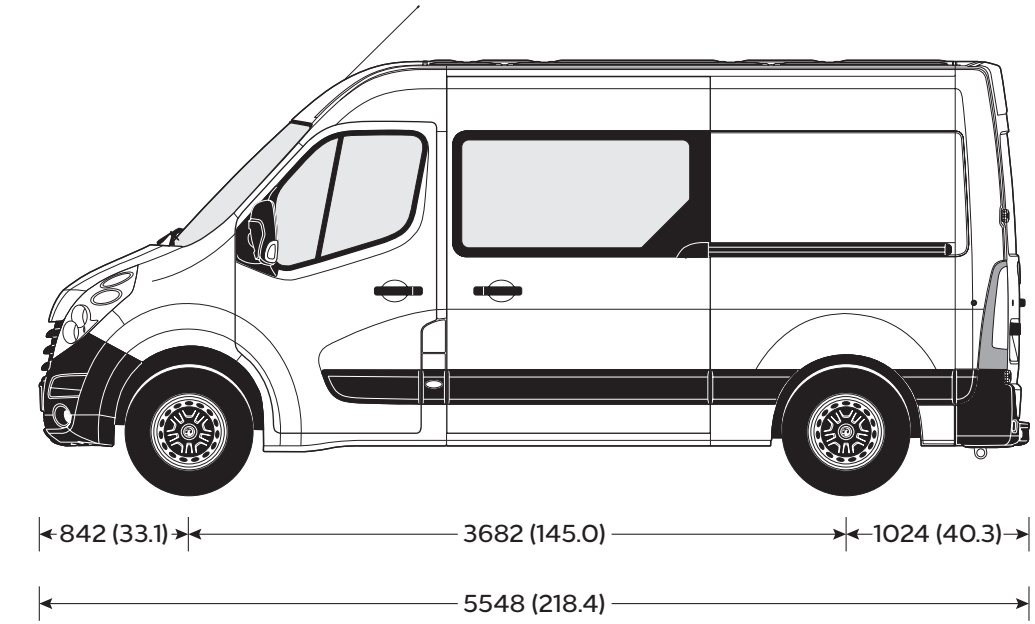
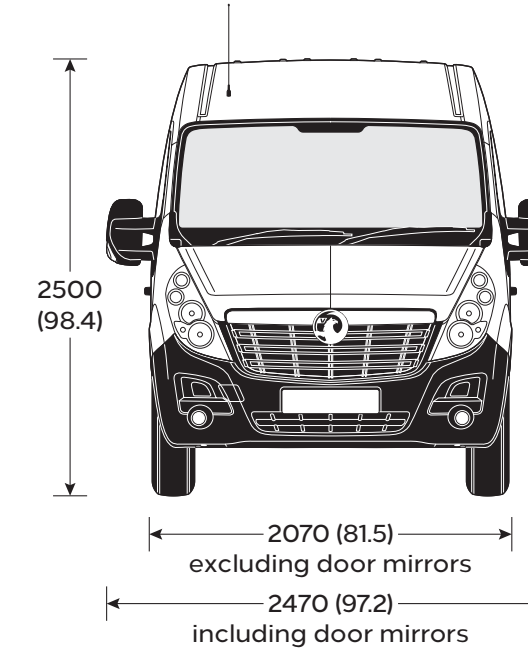
L2 H2/H3



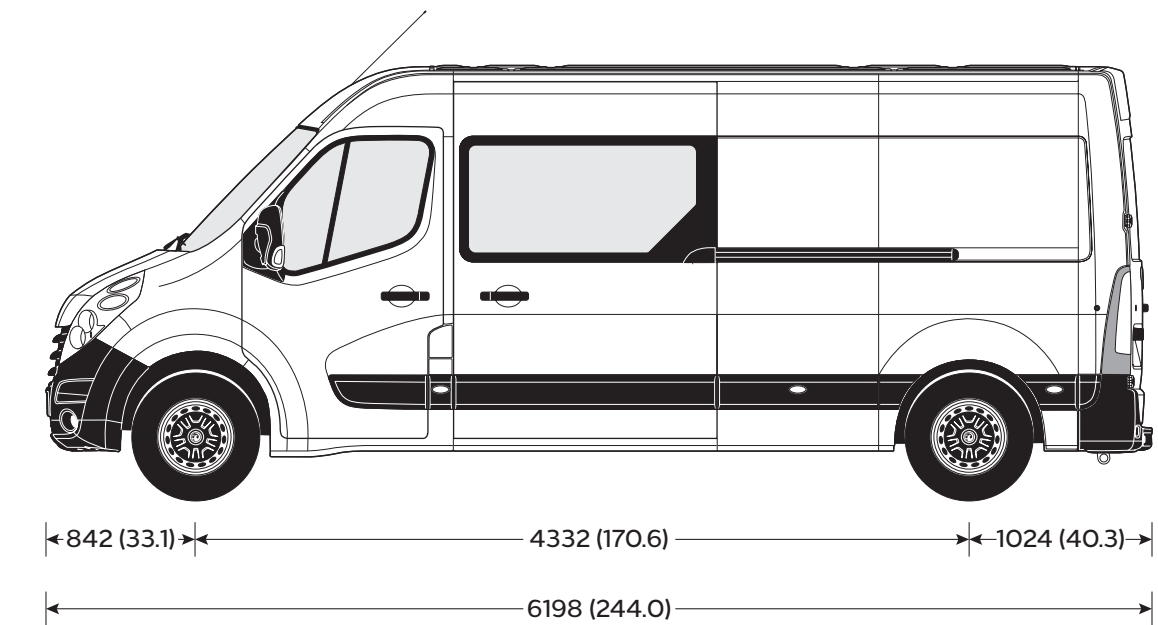
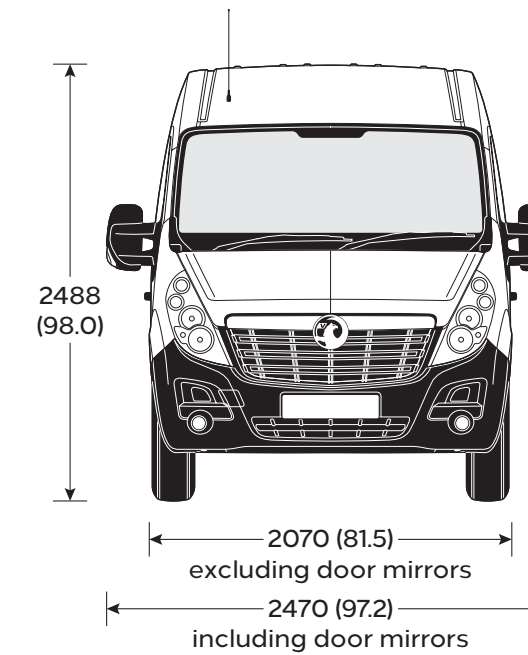
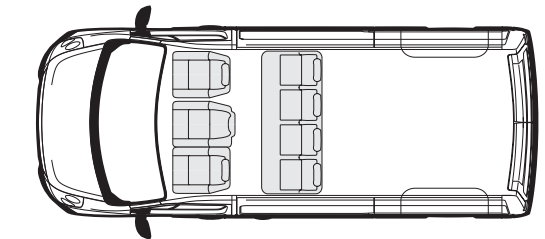
L3 H2/H3

MOVANO FWD DOUBLECAB SPECIFICATIONS

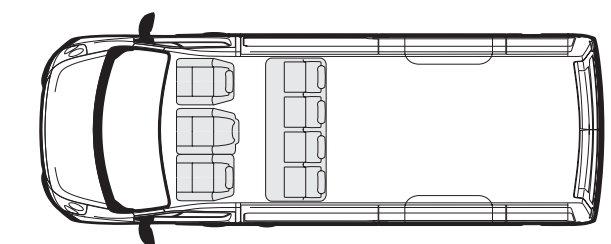
| Loadspace Dimensions | L2 | L3 |
|--|-------------|--------------|
| Maximum length at load floor | 2175 (85.6) | 2825 (111.2) |
| Maximum length behind rear seats | 1990 (78.3) | 2640 (103.9) |
| Maximum width | 1765 (69.5) | 1765 (69.5) |
| Width between wheel arches | 1380 (54.3) | 1380 (54.3) |
| Maximum height | 1894 (74.6) | 1894 (74.6) |
| Loadspace Access | | |
| Side door aperture height | 1780 (70.1) | 1780 (70.1) |
| Side door aperture width | 1270 (50.0) | 1270 (50.0) |
| Rear door aperture height | 1820 (71.7) | 1820 (71.7) |
| Rear door aperture width | 1577 (62.1) | 1577 (62.1) |
| Loading height (unladen) | 562 (22.1) | 557 (21.9) |
| Loadspace Volumes cu.m (cu.ft.) | | |
| Doublecab | 6.9 (244) | 9.0 (318) |



L2 H2

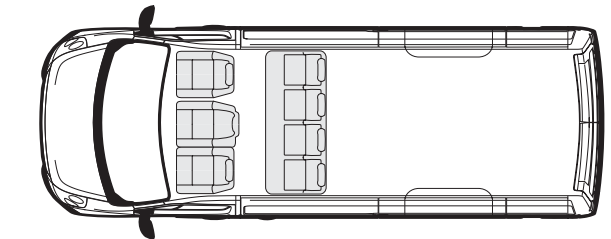
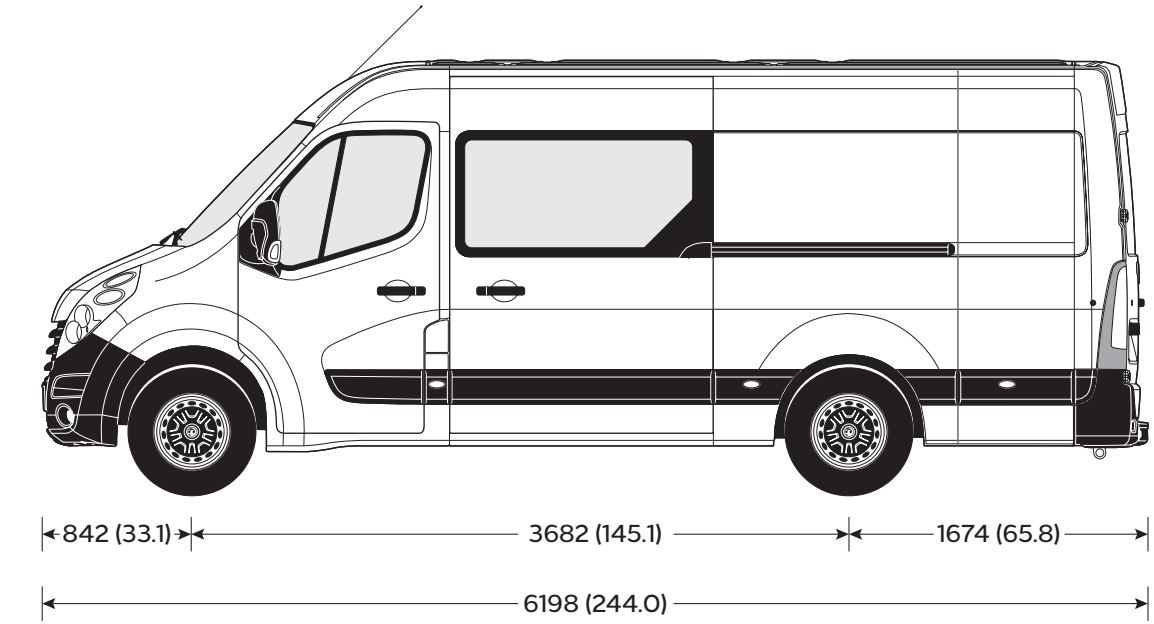
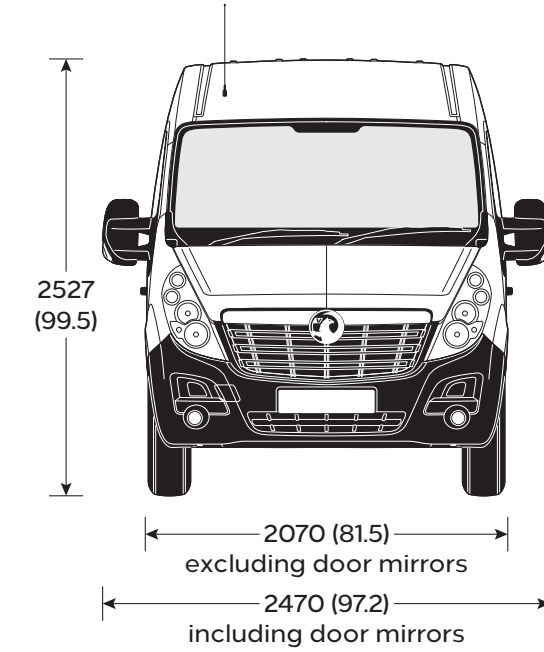


L3 H2



MOVANO RWD DOUBLECAB SPECIFICATIONS

| Loadspace Dimensions | L3 |
|----------------------------------|-------------------------|
| Maximum length at load floor | 2825 (111.2) |
| Maximum length behind rear seats | 2640 (103.9) |
| Maximum width | 1765 (69.5) |
| Width between wheel arches | 1380 (54.3) |
| Maximum height | 1798 (70.8) |
| Loadspace Access | |
| Side door aperture height | 1684 (66.3) |
| Side door aperture width | 1270 (50.0) |
| Rear door aperture height | 1724 (67.9) |
| Rear door aperture width | 1577 (62.1) |
| Loading heights (unladen) | 674 (26.5) – 696 (27.4) |
| Loadspace Volumes cu.m (cu.ft.) | |
| Doublecab | 8.4 (297) |



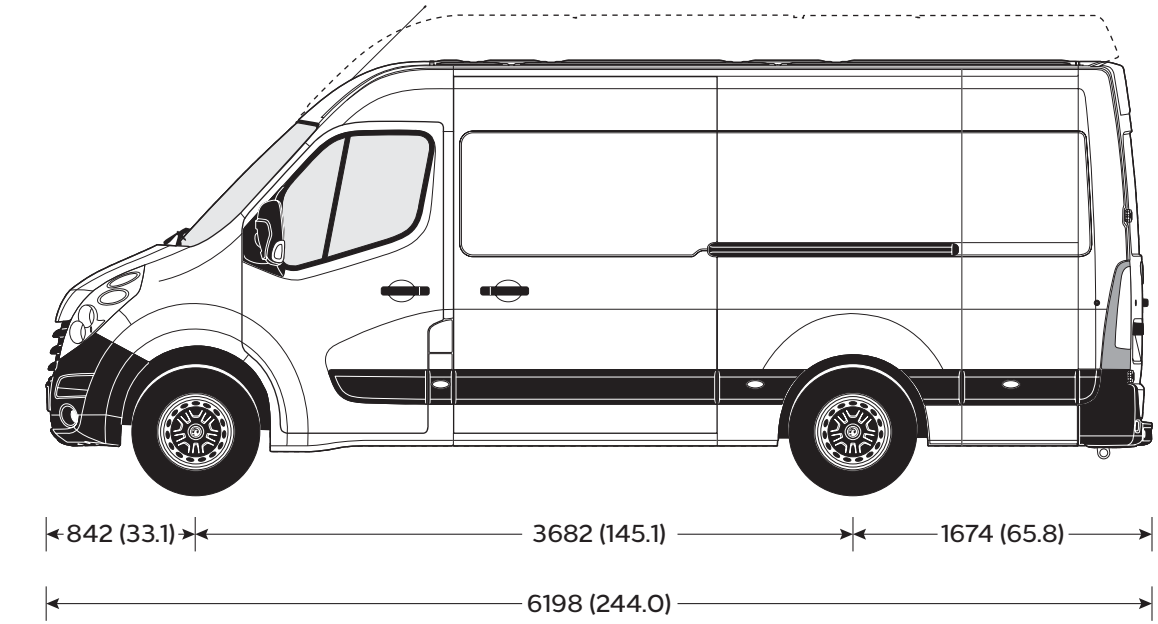
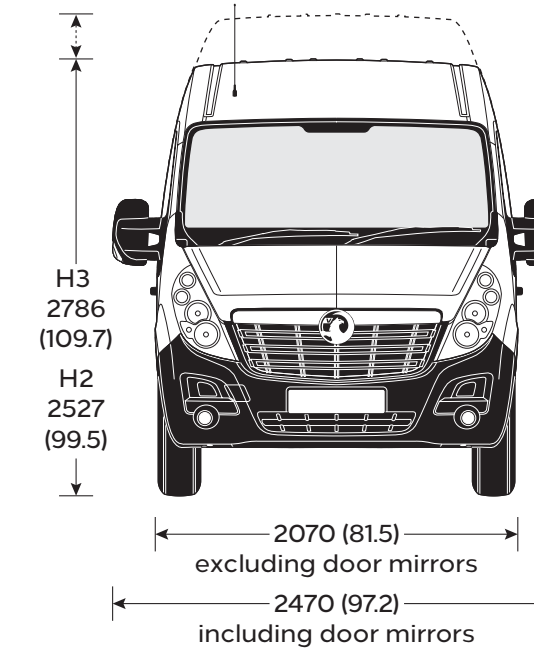
L3 H2

MOVANO RWD PANEL VAN SPECIFICATIONS

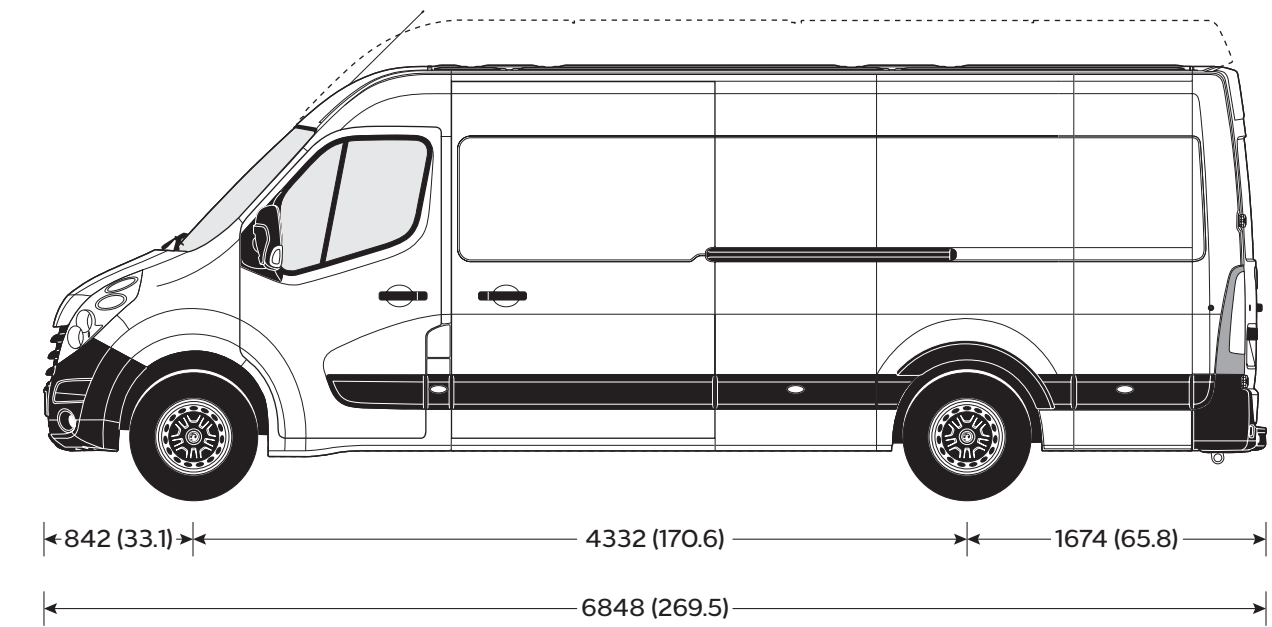
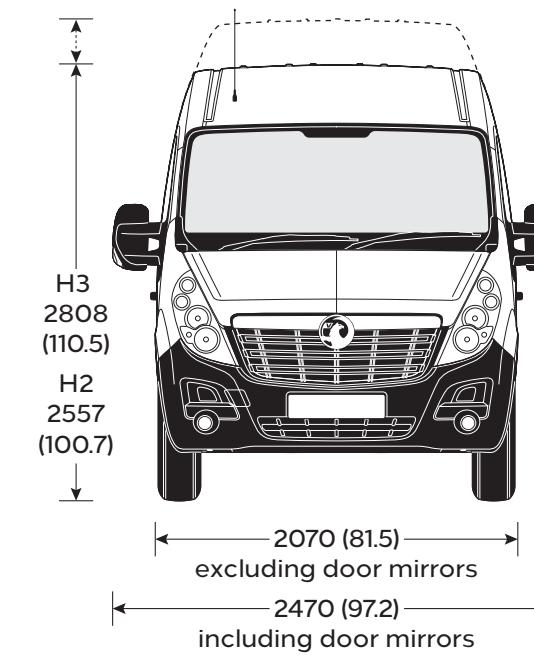
| Loadspace Dimensions | L3 | L4 |
|----------------------------|--------------|--------------|
| Maximum length | 3733 (147.0) | 4383 (172.6) |
| Maximum width | 1765 (69.5) | 1765 (69.5) |
| Width between wheel arches | 1380 (54.3) | 1380 (54.3) |
| Maximum height – H2 | 1798 (70.8) | 1798 (70.8) |
| Maximum height – H3 | 2048 (80.6) | 2048 (80.6) |

| Loadspace Access | L3 | L4 |
|---------------------------|-------------------------|-------------|
| Side door aperture height | 1684 (66.3) | 1684 (66.3) |
| Side door aperture width | 1270 (50.0) | 1270 (50.0) |
| Rear door aperture height | 1724 (67.9) | 1724 (67.9) |
| Rear door aperture width | 1577 (62.1) | 1577 (62.1) |
| Loading heights (unladen) | 696 (27.4) – 724 (28.5) | 717 (28.2) |

| Loadspace Volumes cu.m (cu.ft.) | L3 H2 | L3 H3 | L4 H2 | L4 H3 |
|---------------------------------|------------|------------|------------|------------|
| Panel Van – Maximum | 12.4 (438) | 14.2 (501) | 14.9 (526) | 17.0 (600) |
| Panel Van – VDA | 10.9 (385) | 12.2 (431) | 12.9 (456) | 14.1 (498) |



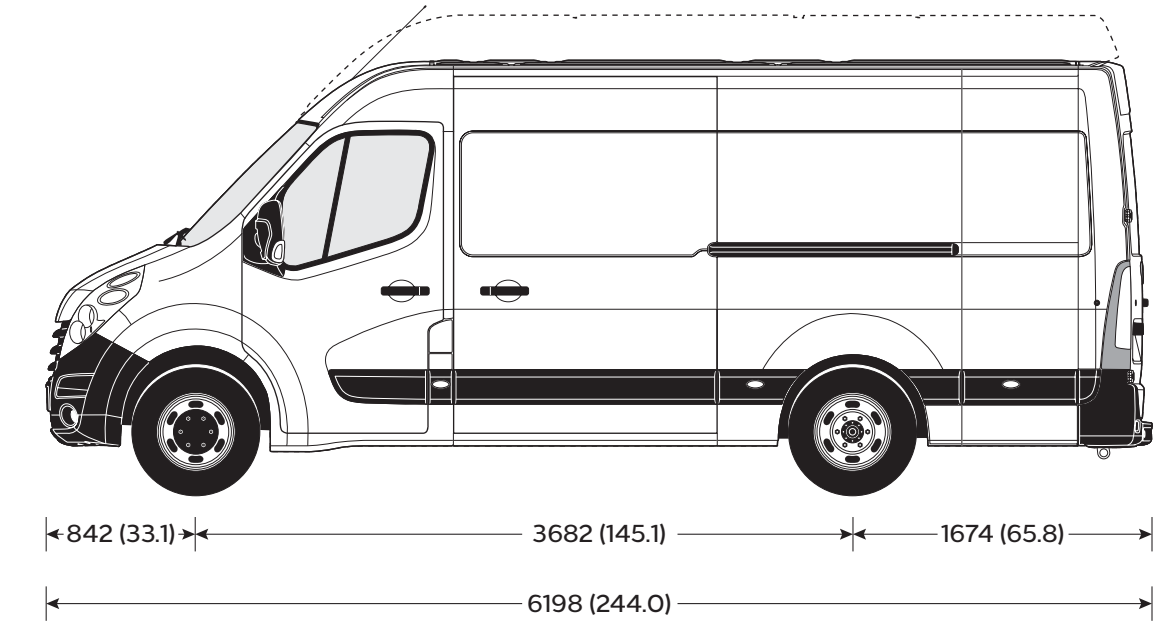
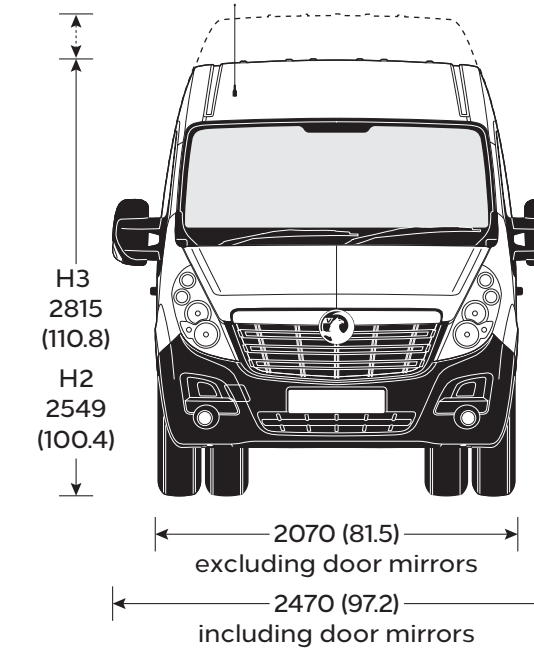
L3 H2/H3



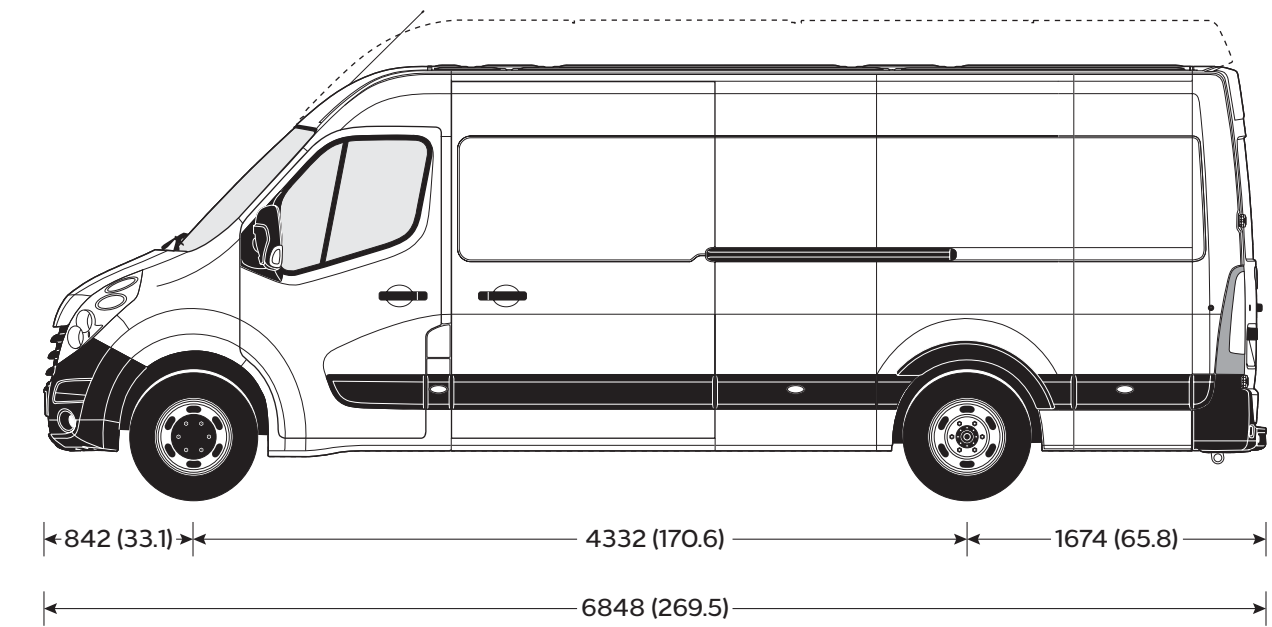
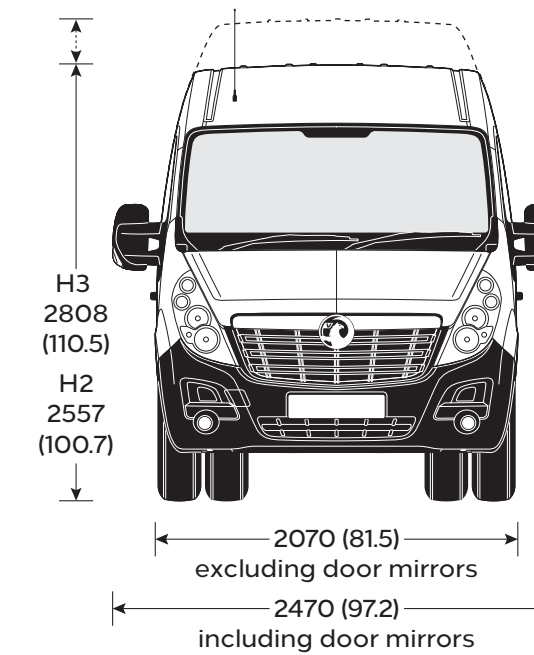
L4 H2/H3

MOVANO RWD DRW PANEL VAN SPECIFICATIONS

| Loadspace Dimensions | L3 | L4 | | |
|--|-------------------------|--------------|--------------|--------------|
| Maximum length | 3733 (147.0) | 4383 (172.6) | | |
| Maximum width | 1765 (69.5) | 1765 (69.5) | | |
| Width between wheel arches | 1080 (42.5) | 1080 (42.5) | | |
| Maximum height – H2 | 1798 (70.8) | 1798 (70.8) | | |
| Maximum height – H3 | 2048 (80.6) | 2048 (80.6) | | |
| Loadspace Access | | | | |
| Side door aperture height | 1684 (66.3) | 1684 (66.3) | | |
| Side door aperture width | 1270 (50.0) | 1270 (50.0) | | |
| Rear door aperture height | 1724 (67.9) | 1724 (67.9) | | |
| Rear door aperture width | 1577 (62.1) | 1577 (62.1) | | |
| Loading heights | 723 (28.4) – 724 (28.5) | 717 (28.2) | | |
| | L3 H2 | L3 H3 | L4 H2 | L4 H3 |
| Loadspace Volumes cu.m (cu.ft.) | | | | |
| Panel Van – Maximum | 12.4 (438) | 14.2 (501) | 14.9 (526) | 17.0 (600) |
| Panel Van – VDA | 10.7 (378) | 12.0 (424) | 12.7 (448) | 13.9 (491) |



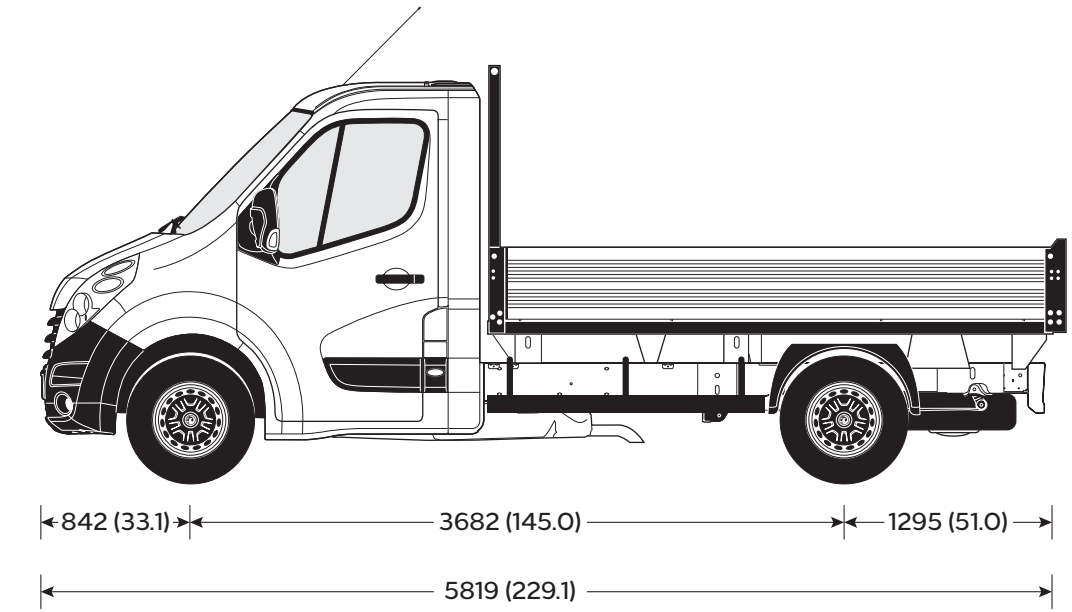
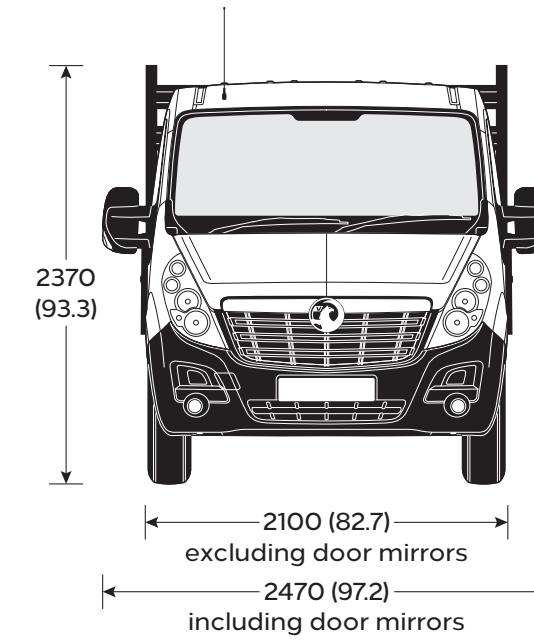
L3 H2/H3



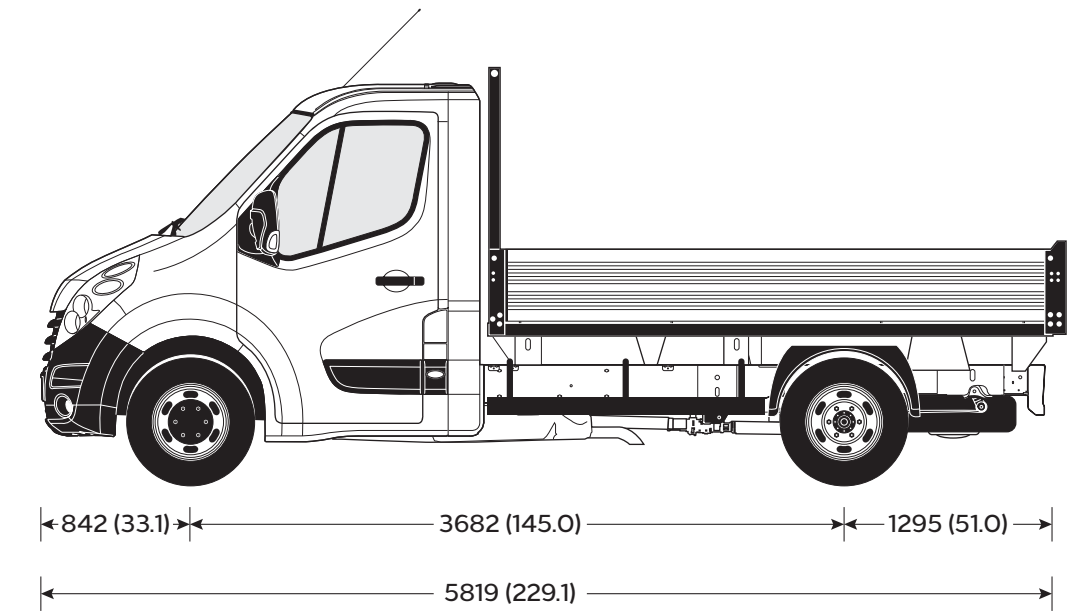
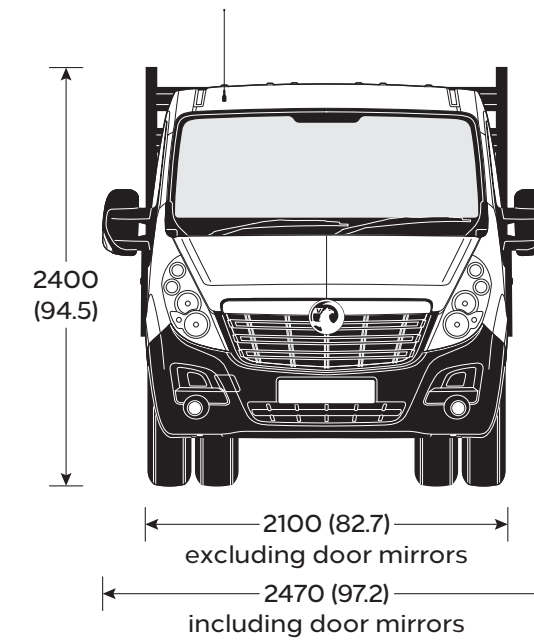
L4 H2/H3

MOVANO TIPPER SPECIFICATIONS

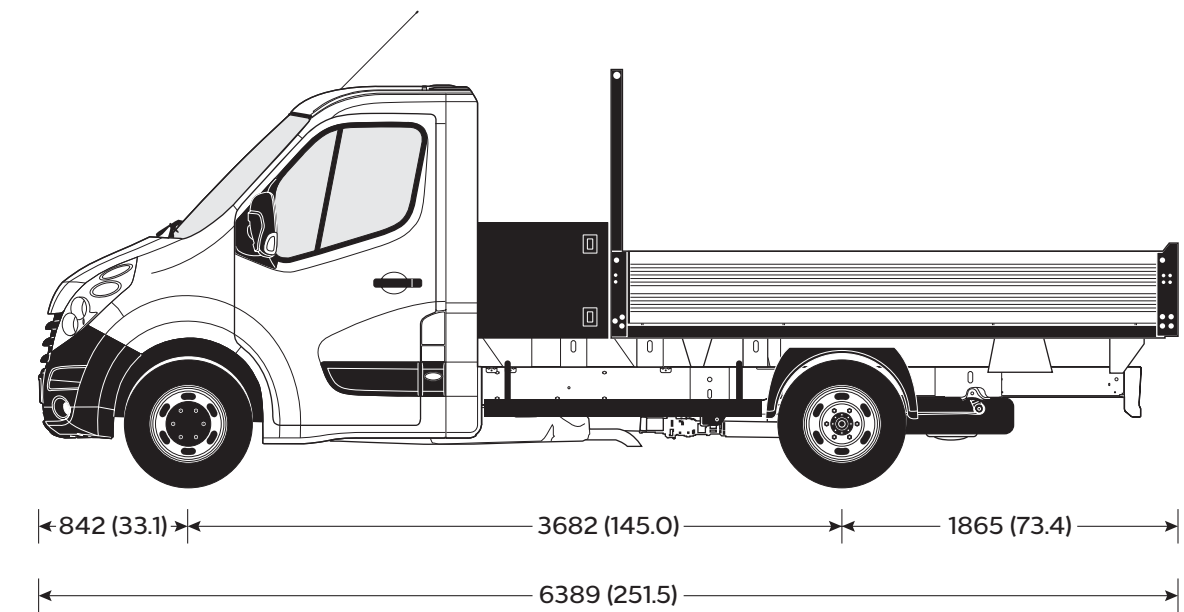
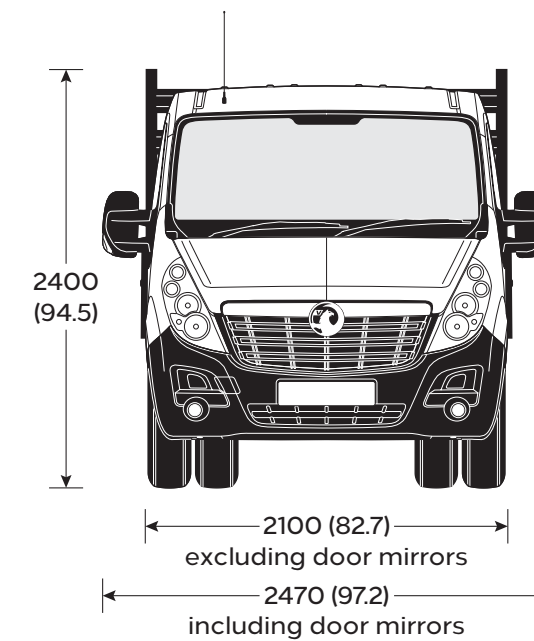
| Loadspace Dimensions | L2 FWD | L2 RWD DRW | L3 RWD DRW |
|--------------------------|--------------|--------------|--------------|
| Maximum length | 3205 (126.2) | 3205 (126.2) | 3105 (122.2) |
| Maximum width | 2040 (80.3) | 2040 (80.3) | 2040 (80.3) |
| Body side height | 400 (15.7) | 400 (15.7) | 400 (15.7) |
| Loading height (unladen) | 1090 (42.9) | 1090 (42.9) | 1090 (42.9) |
| Load area sq.m (sq.ft.) | 6.5 (69.4) | 6.5 (69.4) | 6.3 (68.2) |



L2 FWD



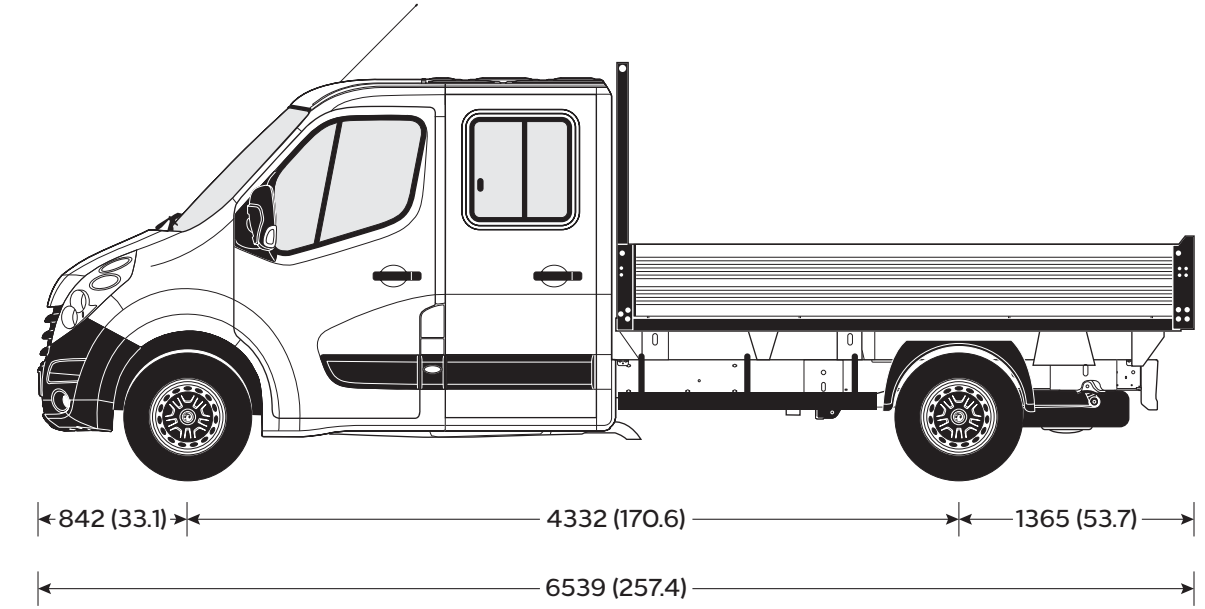
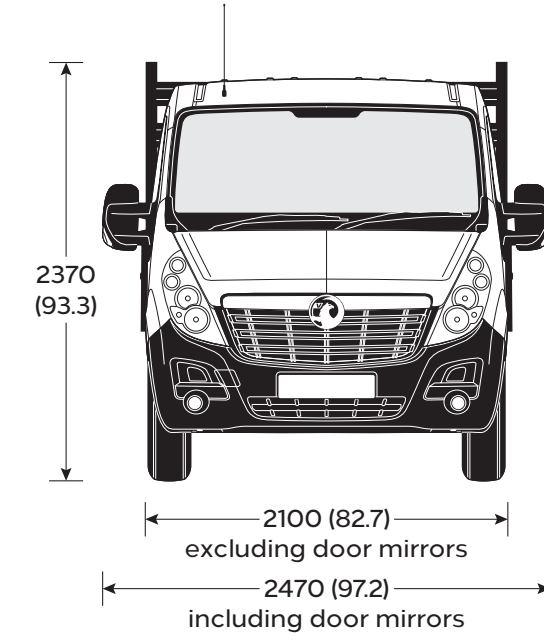
L2 RWD DRW



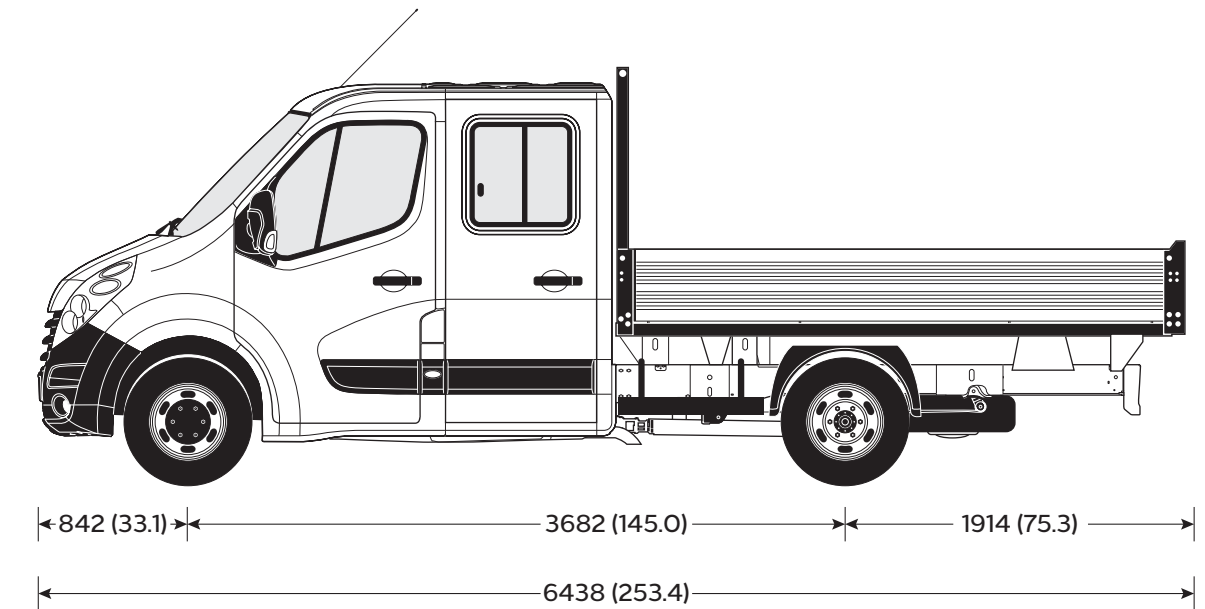
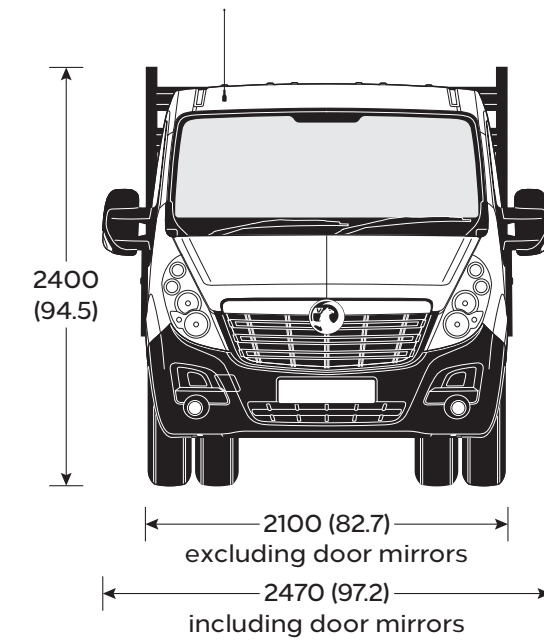
L3 RWD DRW

MOVANO CREW CAB TIPPER SPECIFICATIONS

| Loadspace Dimensions | L3 FWD | L3 RWD DRW |
|--------------------------|--------------|--------------|
| Maximum length | 3205 (126.2) | 3105 (122.2) |
| Maximum width | 2040 (80.3) | 2040 (80.3) |
| Body side height | 400 (15.7) | 400 (15.7) |
| Loading height (unladen) | 1090 (42.9) | 1090 (42.9) |
| Load area sq.m (sq.ft.) | 6.5 (69.4) | 6.3 (68.2) |



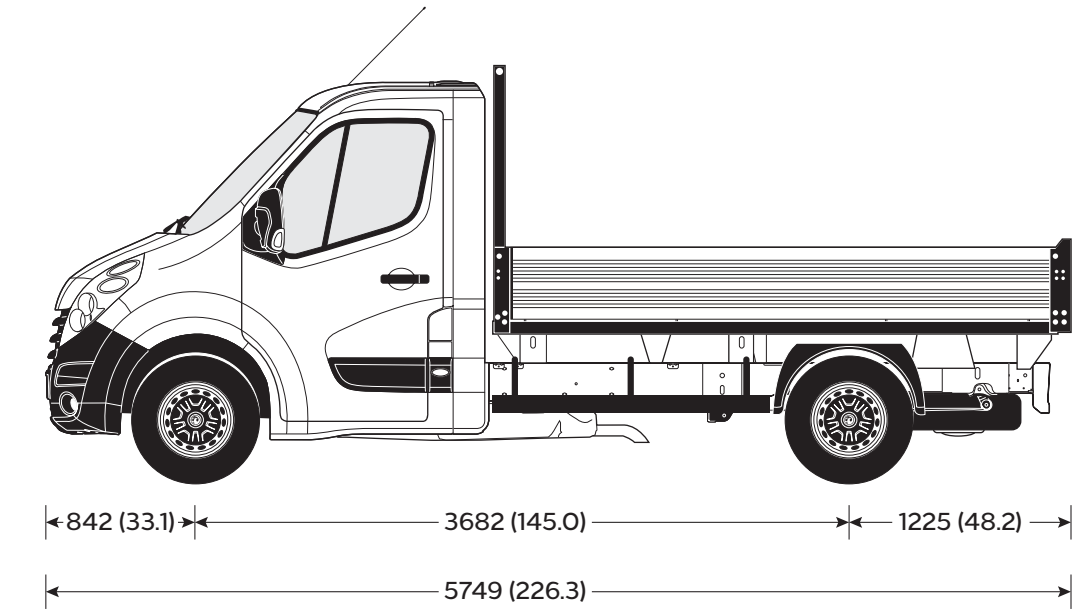
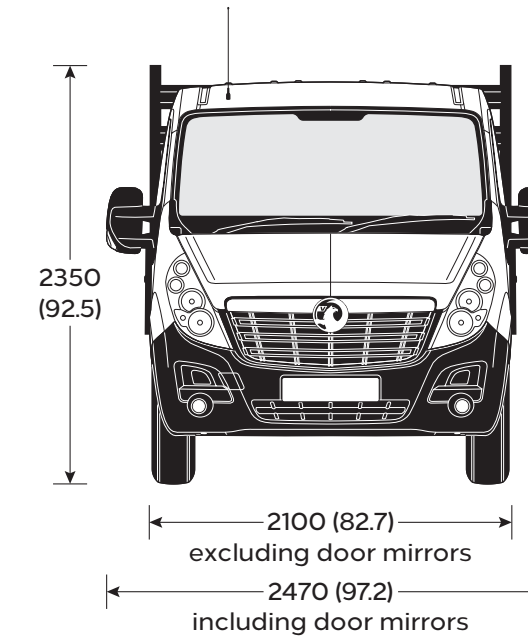
L3 FWD



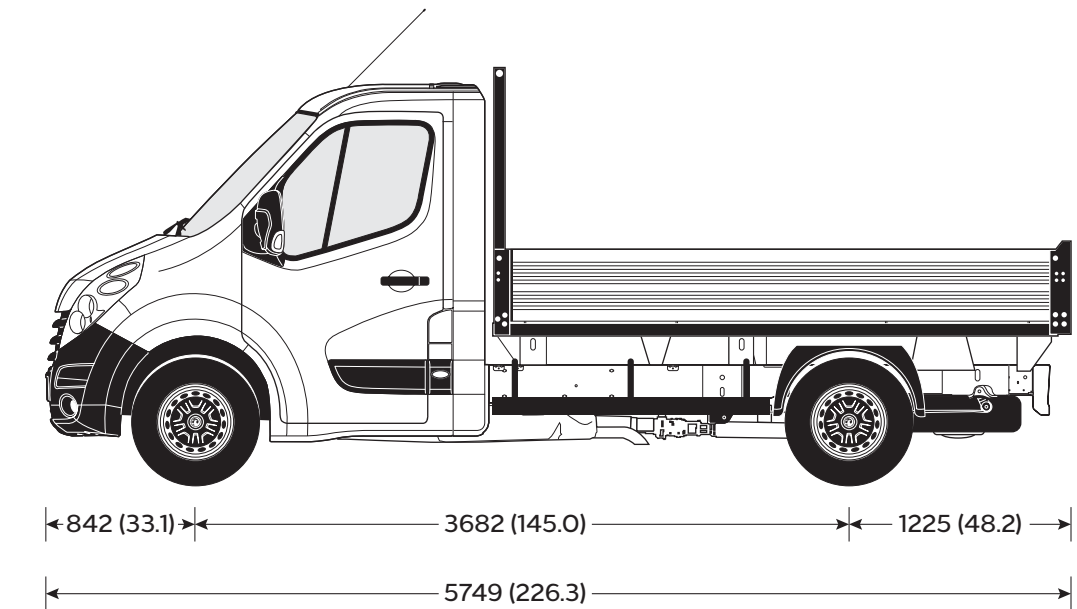
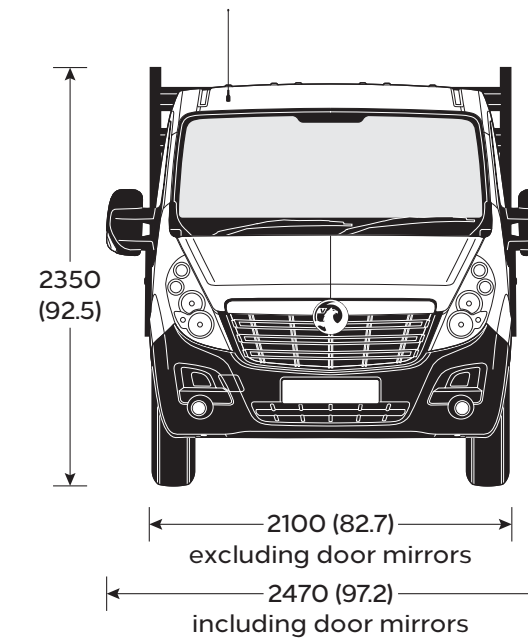
L3 RWD DRW

MOVANO DROPSIDE SPECIFICATIONS

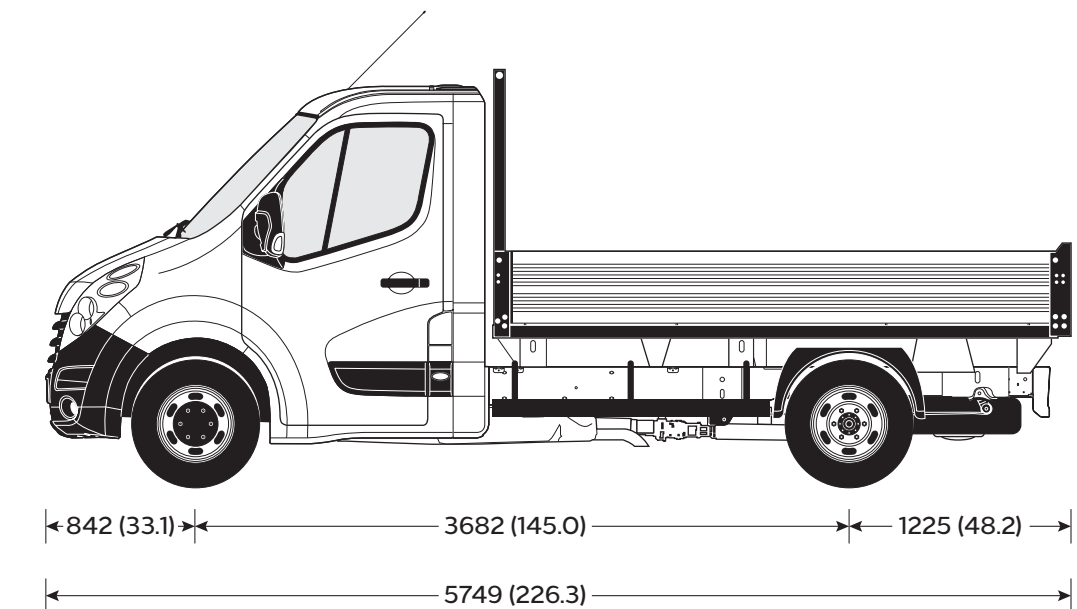
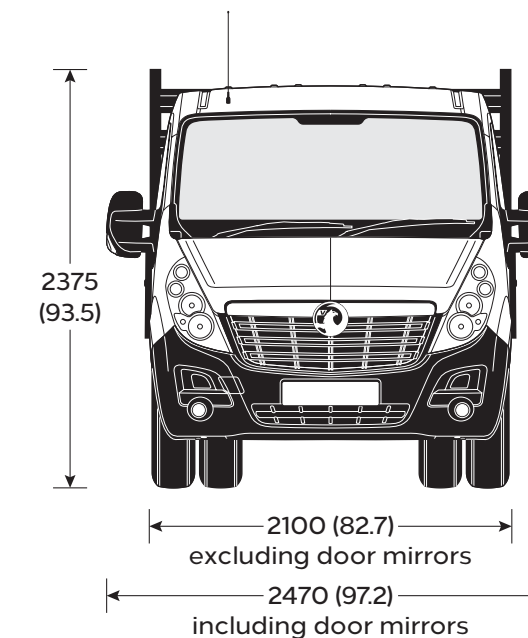
| Loadspace Dimensions | L2 FWD | L2 RWD | L2 RWD DRW |
|--------------------------|--------------|--------------|--------------|
| Maximum length | 3170 (124.8) | 3170 (124.8) | 3170 (124.8) |
| Maximum width | 2040 (80.3) | 2040 (80.3) | 2040 (80.3) |
| Body side height | 400 (15.7) | 400 (15.7) | 400 (15.7) |
| Loading height (unladen) | 1026 (40.4) | 1026 (40.4) | 1026 (40.4) |
| Load area sq.m (sq.ft.) | 6.5 (70.0) | 6.5 (70.0) | 6.5 (70.0) |



L2 FWD



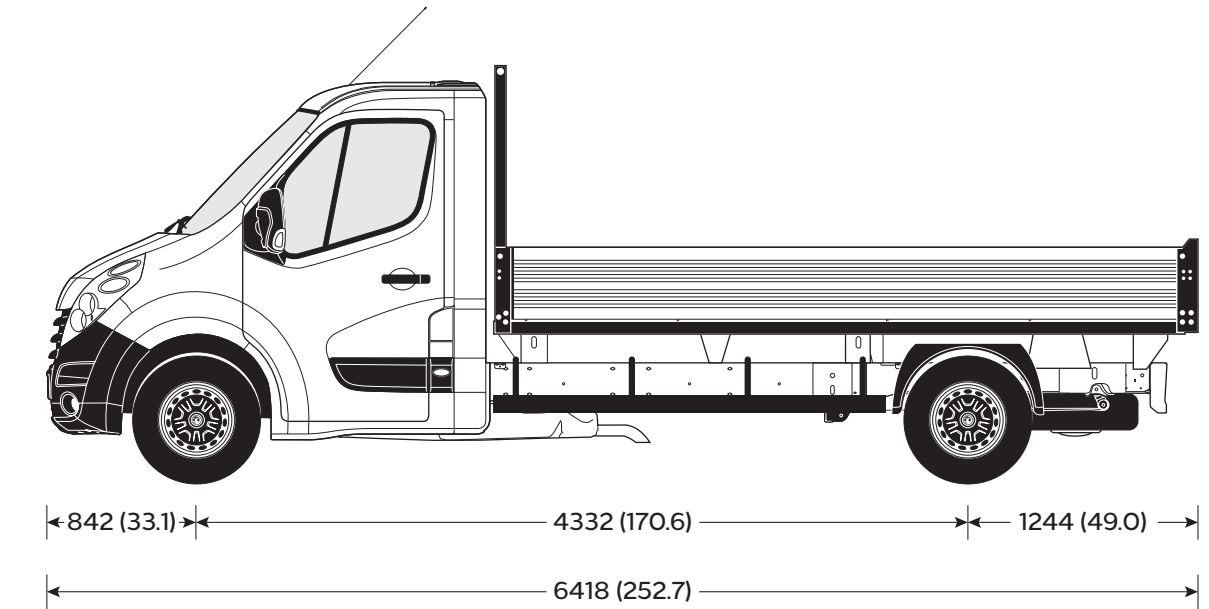
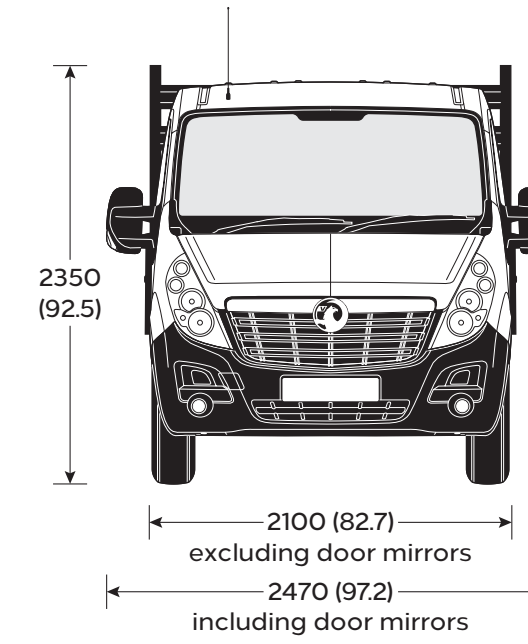
L2 RWD



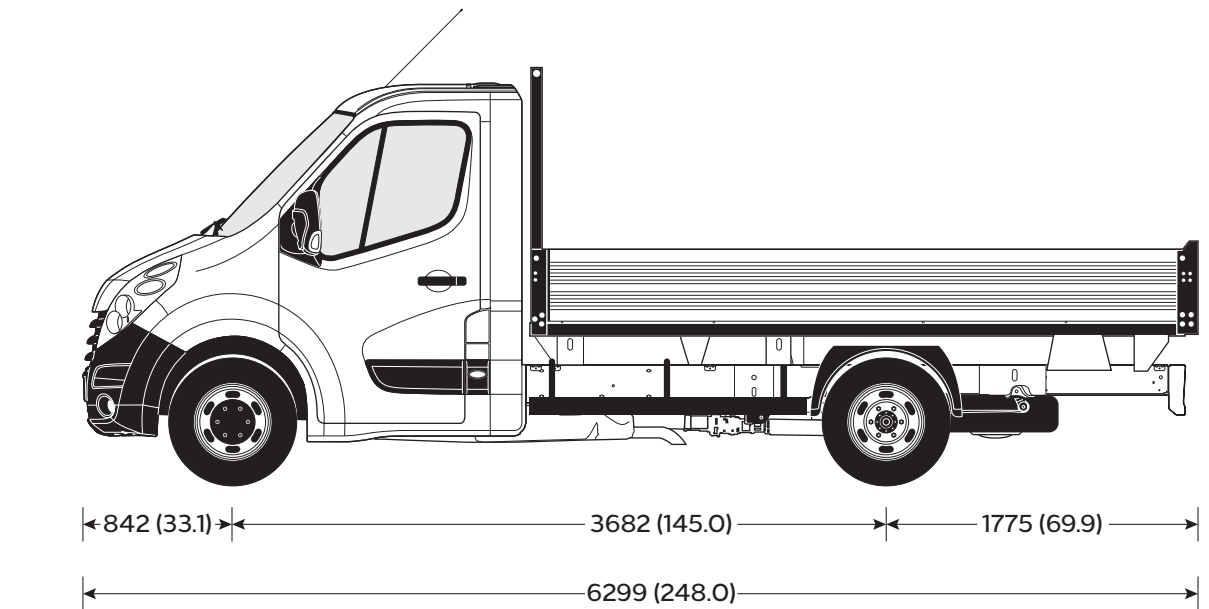
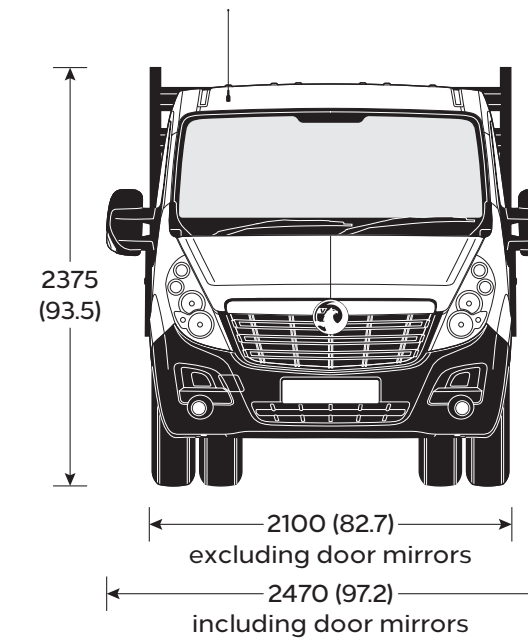
L2 RWD DRW

MOVANO DROPSIDE SPECIFICATIONS

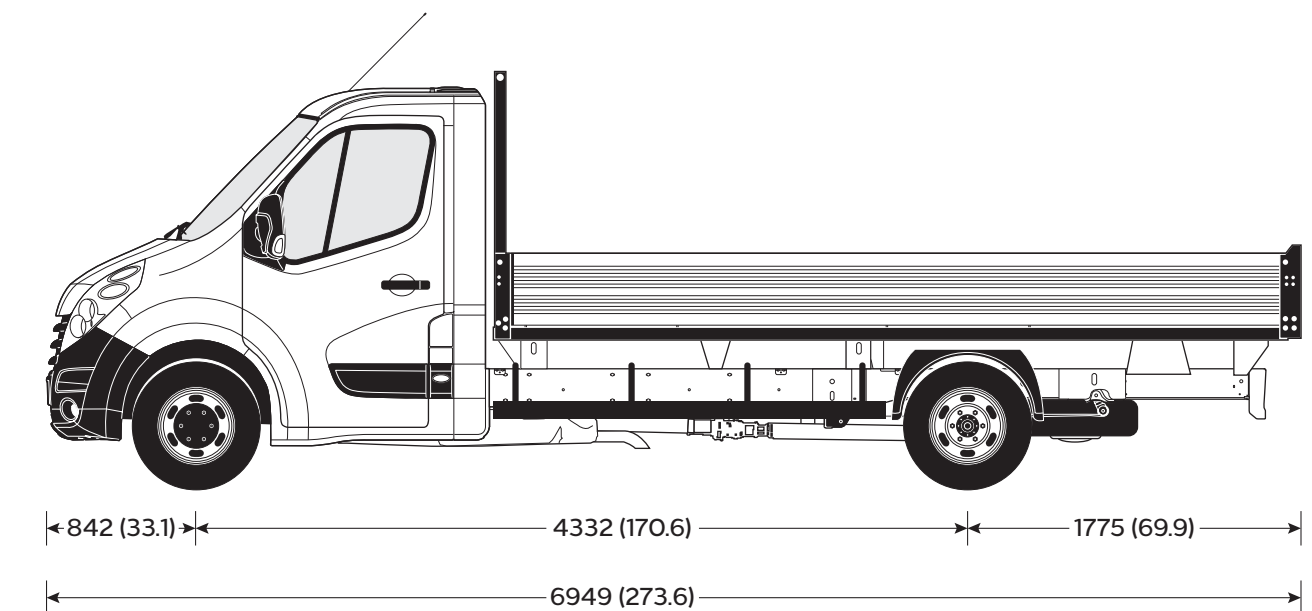
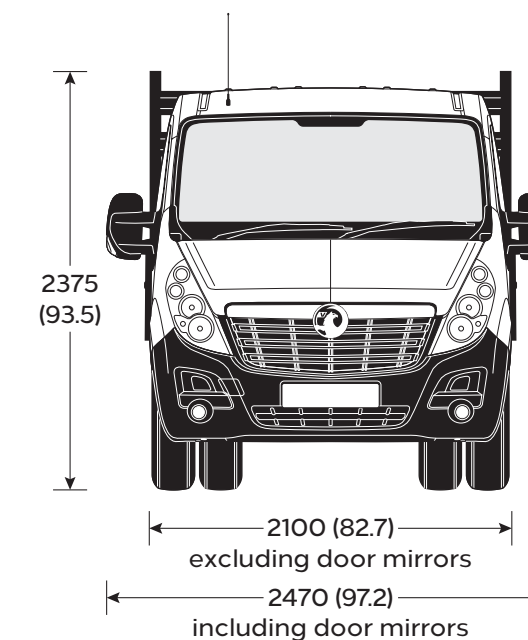
| Loadspace Dimensions | L3 FWD | L3 RWD DRW | L4 RWD DRW |
|--------------------------|--------------|--------------|--------------|
| Maximum length | 3900 (153.5) | 3700 (145.7) | 4470 (176.0) |
| Maximum width | 2040 (80.3) | 2040 (80.3) | 2040 (80.3) |
| Body side height | 400 (15.7) | 400 (15.7) | 400 (15.7) |
| Loading height (unladen) | 1026 (40.4) | 1026 (40.4) | 1026 (40.4) |
| Load area sq.m (sq.ft.) | 7.8 (83.9) | 7.6 (81.8) | 8.9 (95.8) |



L3 FWD



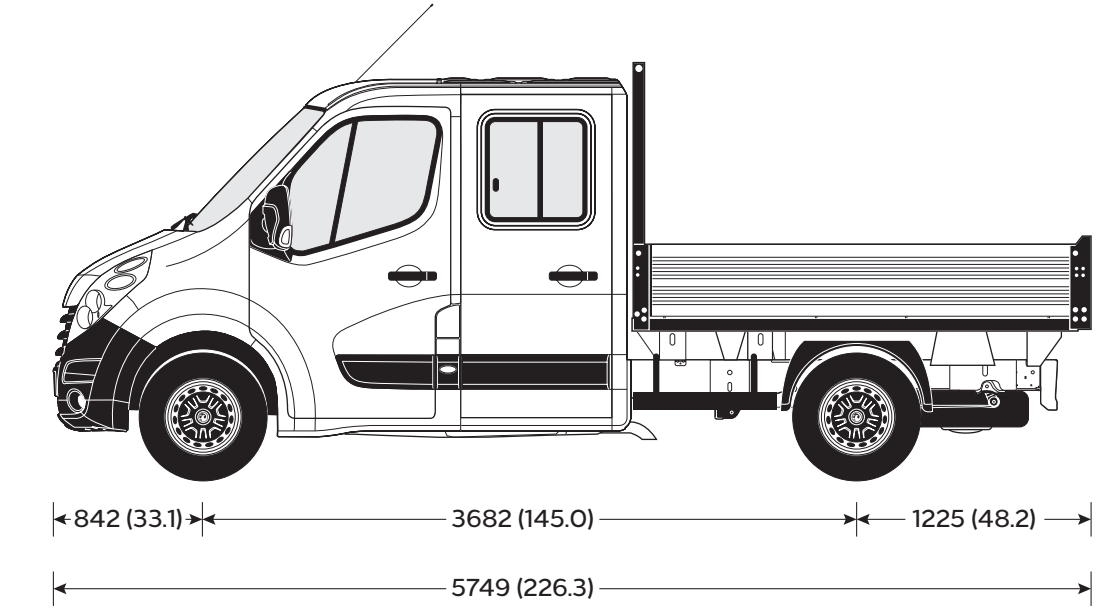
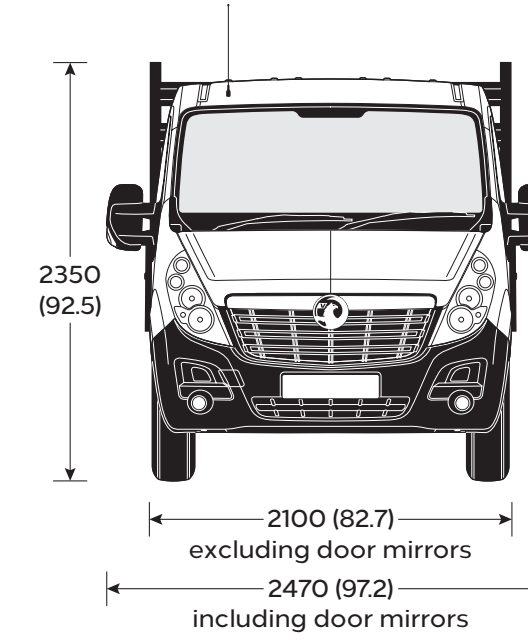
L3 RWD DRW



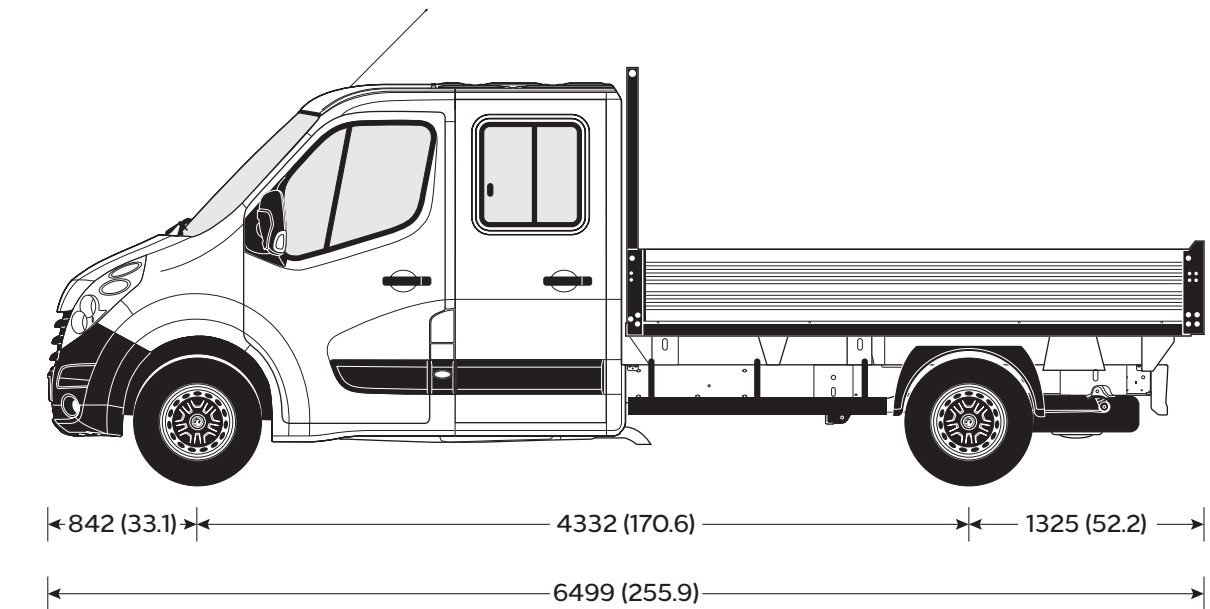
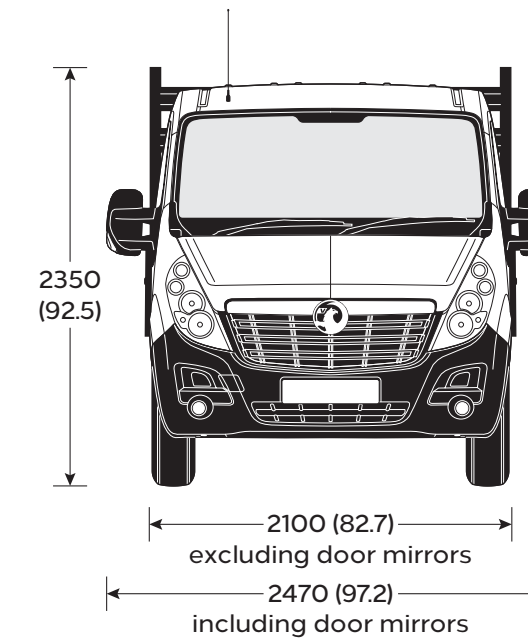
L4 RWD DRW

MOVANO DROPSIDE CREW CAB SPECIFICATIONS

| Loadspace Dimensions | L2 FWD | L3 FWD |
|--------------------------|-------------|--------------|
| Maximum length | 2501 (98.5) | 3170 (124.8) |
| Maximum width | 2040 (80.3) | 2040 (80.3) |
| Body side height | 400 (15.7) | 400 (15.7) |
| Loading height (unladen) | 1026 (40.4) | 1026 (40.4) |
| Load area sq.m (sq.ft.) | 4.9 (52.7) | 6.5 (70.0) |



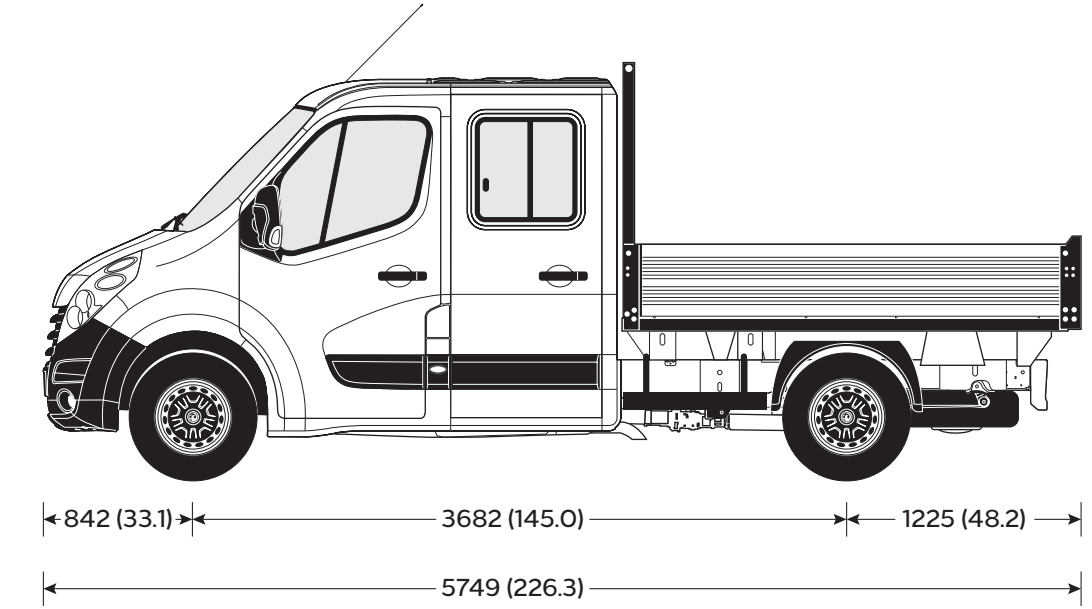
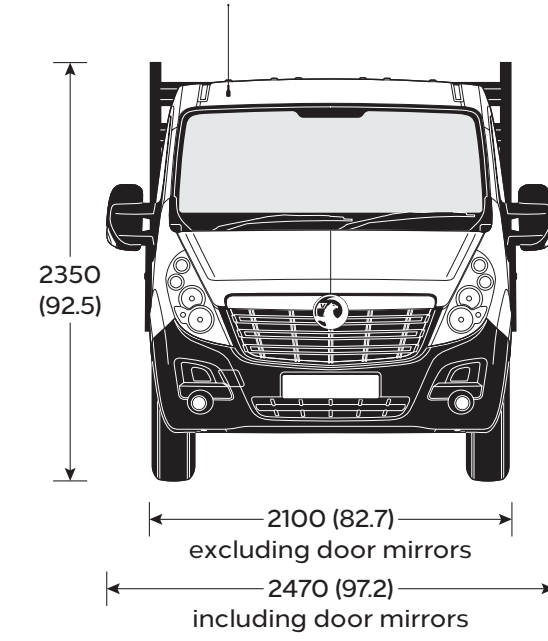
L2 FWD



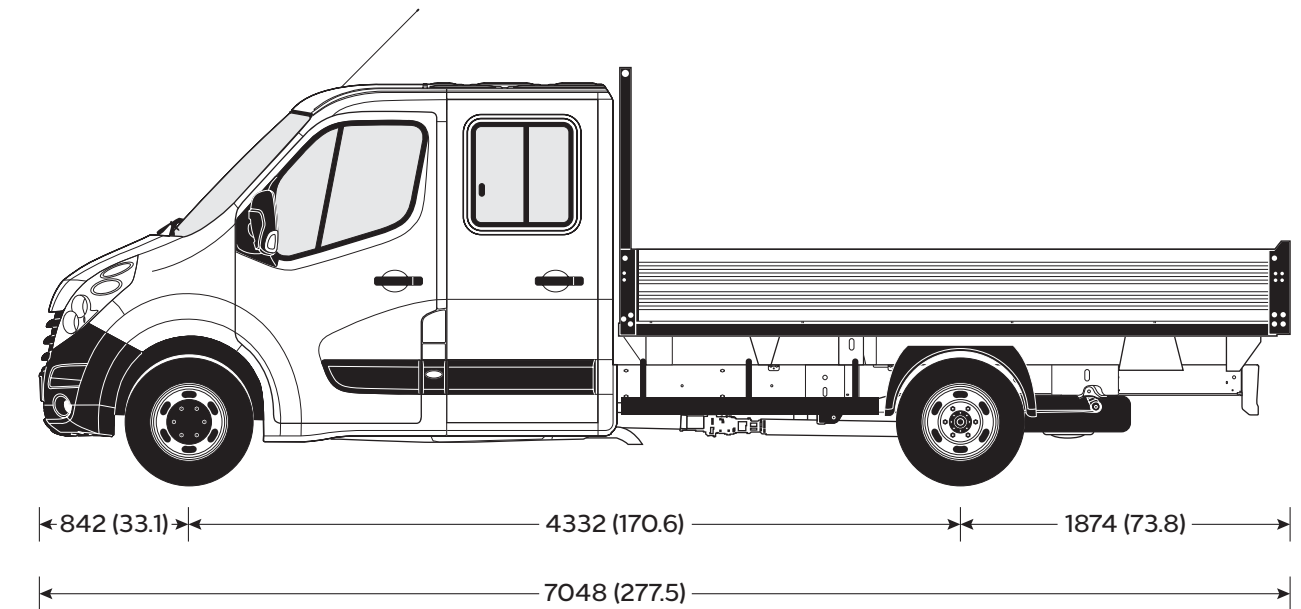
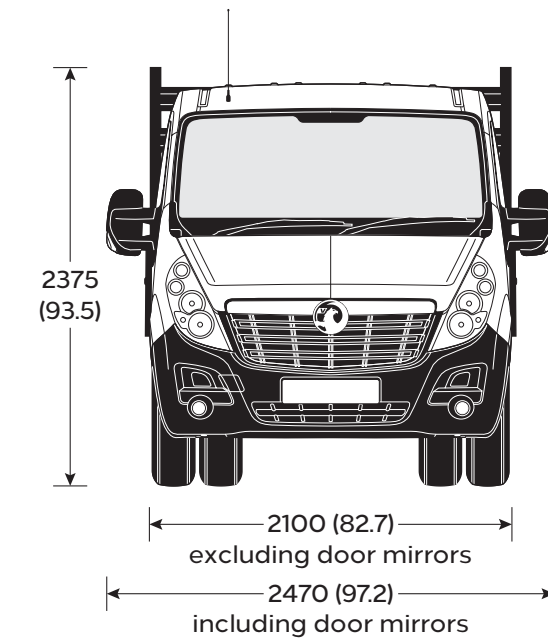
L3 FWD

MOVANO DROPSIDE CREW CAB SPECIFICATIONS

| Loadspace Dimensions | L2 RWD | L4 RWD DRW |
|--------------------------|-------------|--------------|
| Maximum length | 2501 (98.5) | 3702 (145.7) |
| Maximum width | 2040 (80.3) | 2040 (80.3) |
| Body side height | 400 (15.7) | 400 (15.7) |
| Loading height (unladen) | 1026 (40.4) | 1026 (40.4) |
| Load area sq.m (sq.ft.) | 4.9 (52.7) | 7.6 (81.8) |



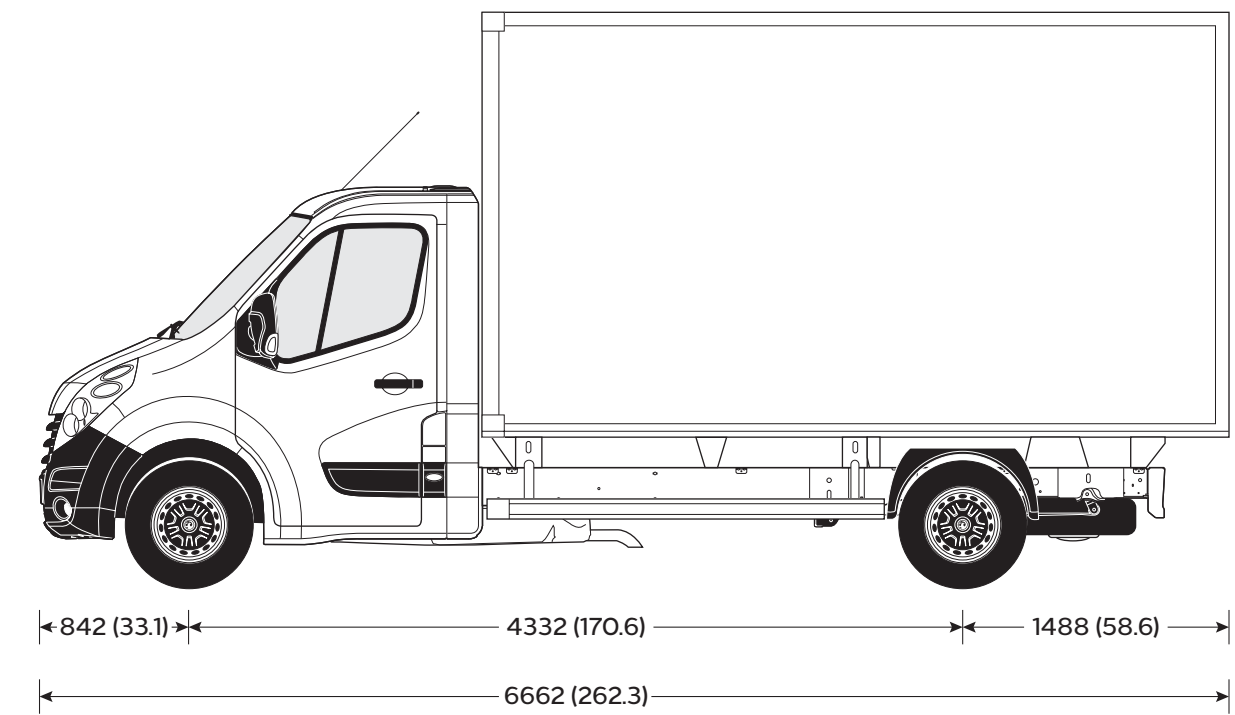
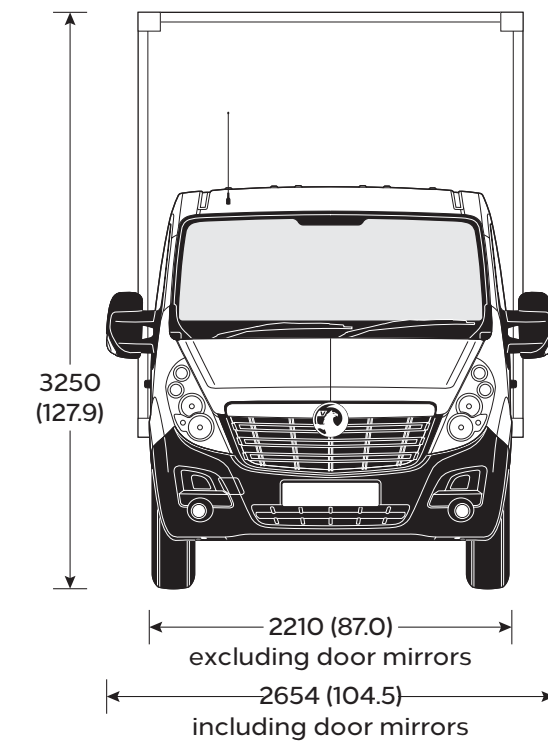
L2 RWD



L4 RWD DRW

MOVANO BOX VAN SPECIFICATIONS

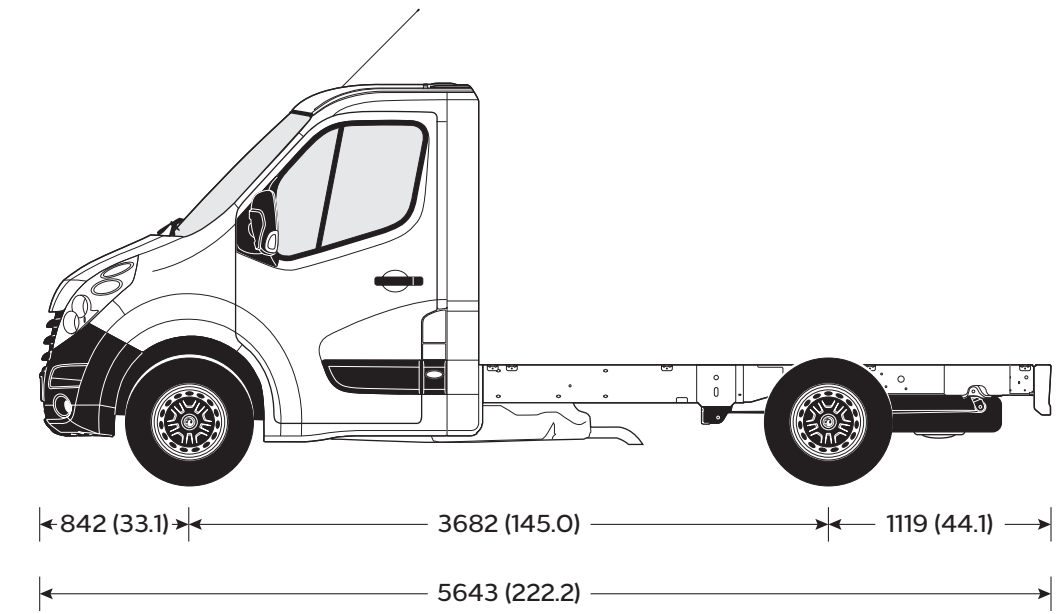
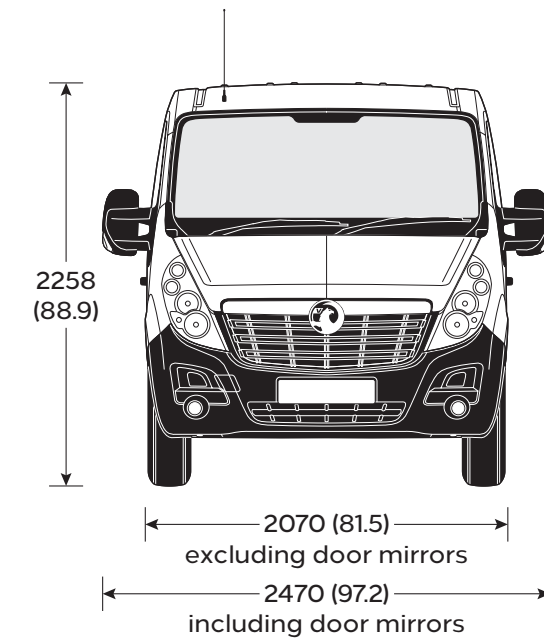
| Loadspace Dimensions | L3 20cu.m FWD |
|---------------------------------|---------------|
| Maximum internal length | 4100 (161.4) |
| Maximum internal width | 2150 (84.6) |
| Maximum internal height | 2200 (86.6) |
| Loading height (unladen) | 1050 (41.3) |
| Loadspace Volumes cu.m (cu.ft.) | |
| VDA method | 19.4 (685.1) |



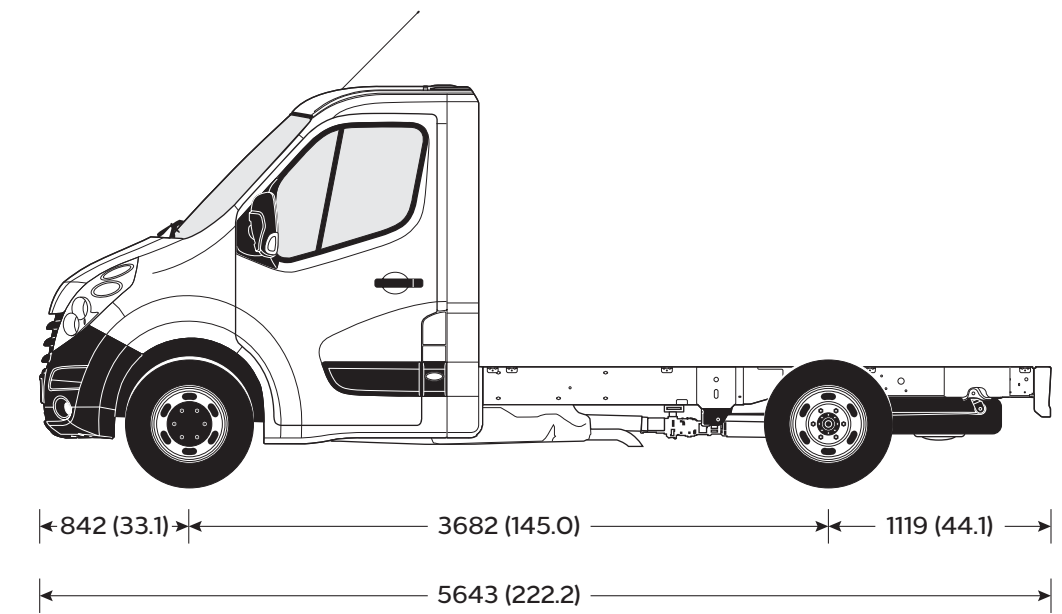
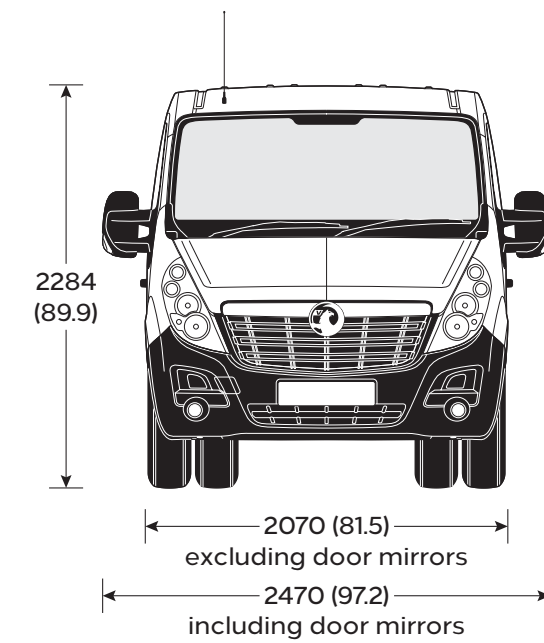
L3 FWD (20cu.m)

MOVANO CHASSIS CAB SPECIFICATIONS

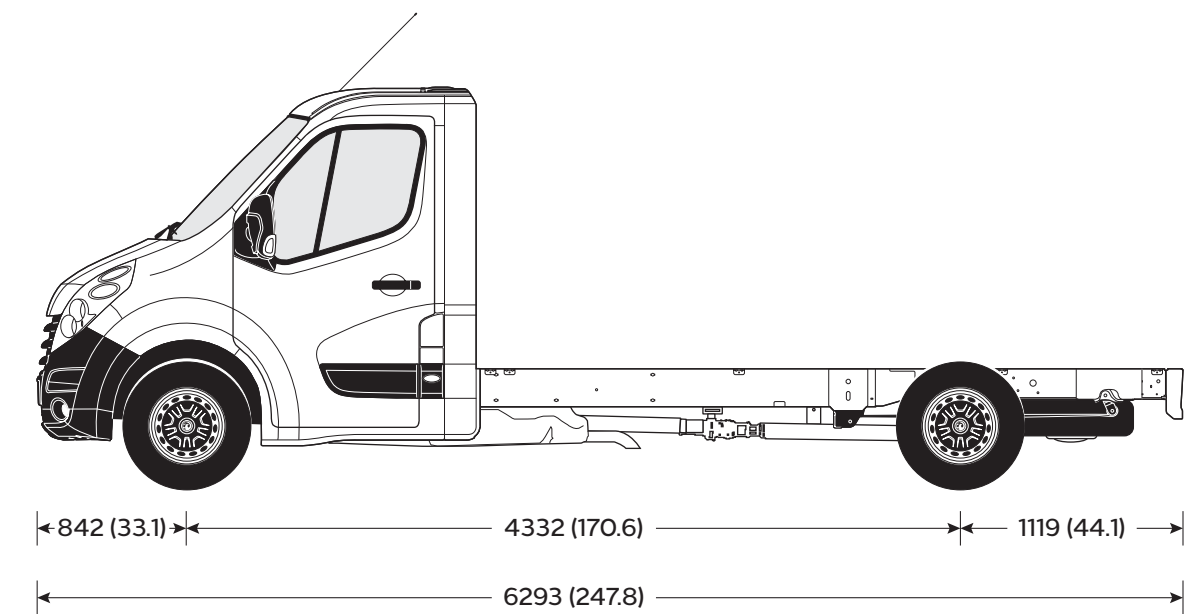
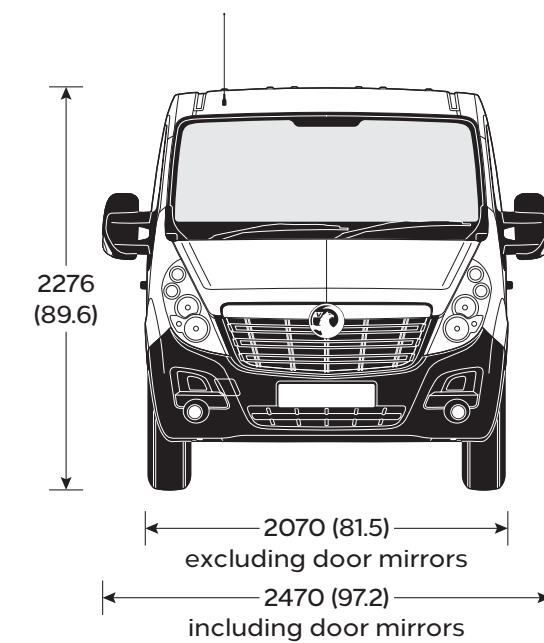
Movano chassis cab models feature rugged box section chassis rails, featuring wide top sections with built-in mounting points. The bolted rear under-run bar on 4.5T variants provides additional in-built safety, as well as ample margins for additional bodywork while retaining outstanding payloads.



L2 FWD



L2 RWD/L2 RWD DRW



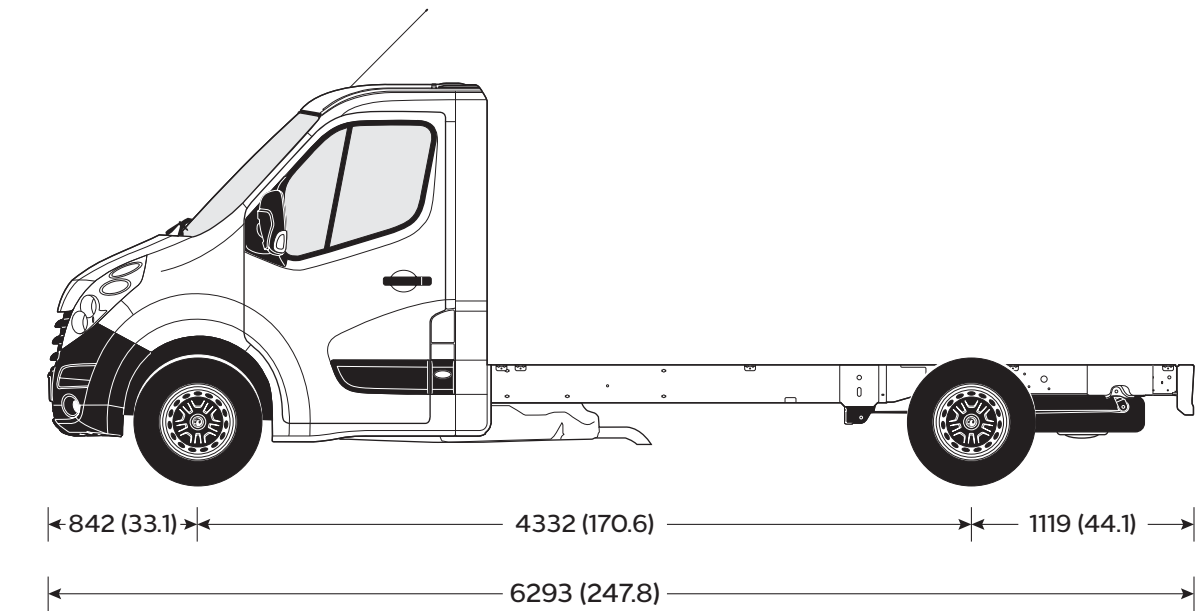
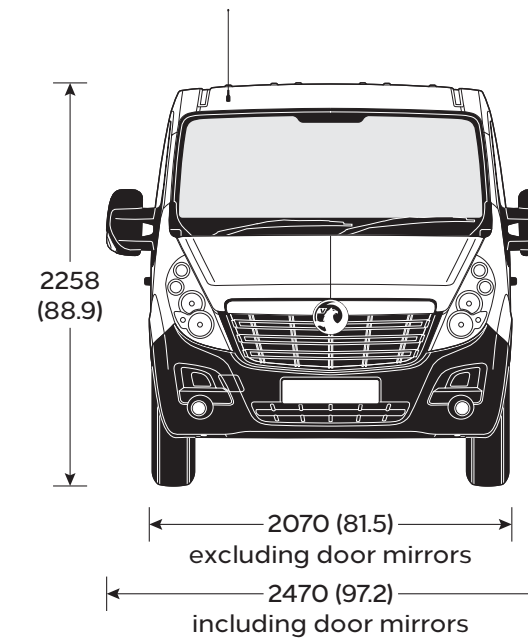
L3 RWD

All conversions must follow 'Vauxhall Converter Requirements' including recommended dimensional data, detailed within Part 1, available at: www.converters-and-groupe-psa.com. The weight of any fitted conversion body will have to be deducted from these figures to establish actual payload and is subject to correct weight distribution. Variations from the recommended dimensions or weights may affect the vehicle's overall centre of gravity and stability. From 29 April 2013 conversion of N1 vehicles was affected by changes to type approval – for further information refer to the VCA website (N2 vehicles were affected from 29 October 2014). For further information please contact conversions@vauxhall.co.uk

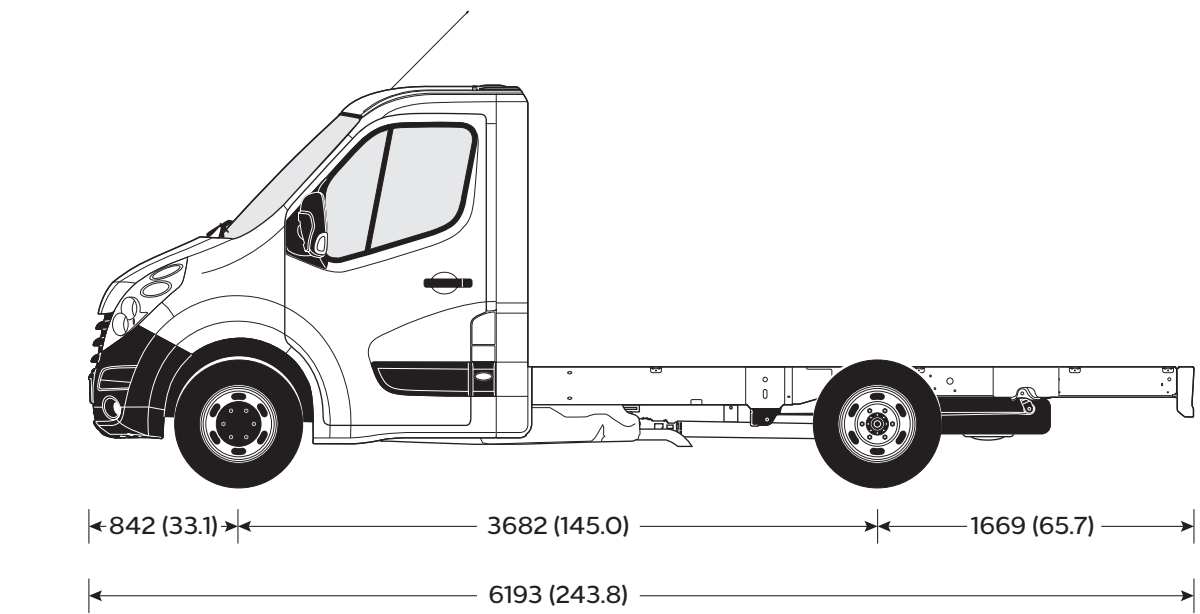
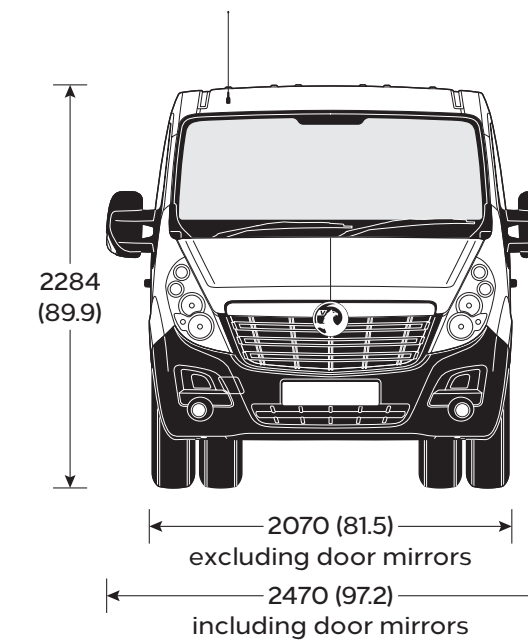
All measurements are in mm (inches) unless stated otherwise. Heights shown unladen.

MOVANO CHASSIS CAB SPECIFICATIONS

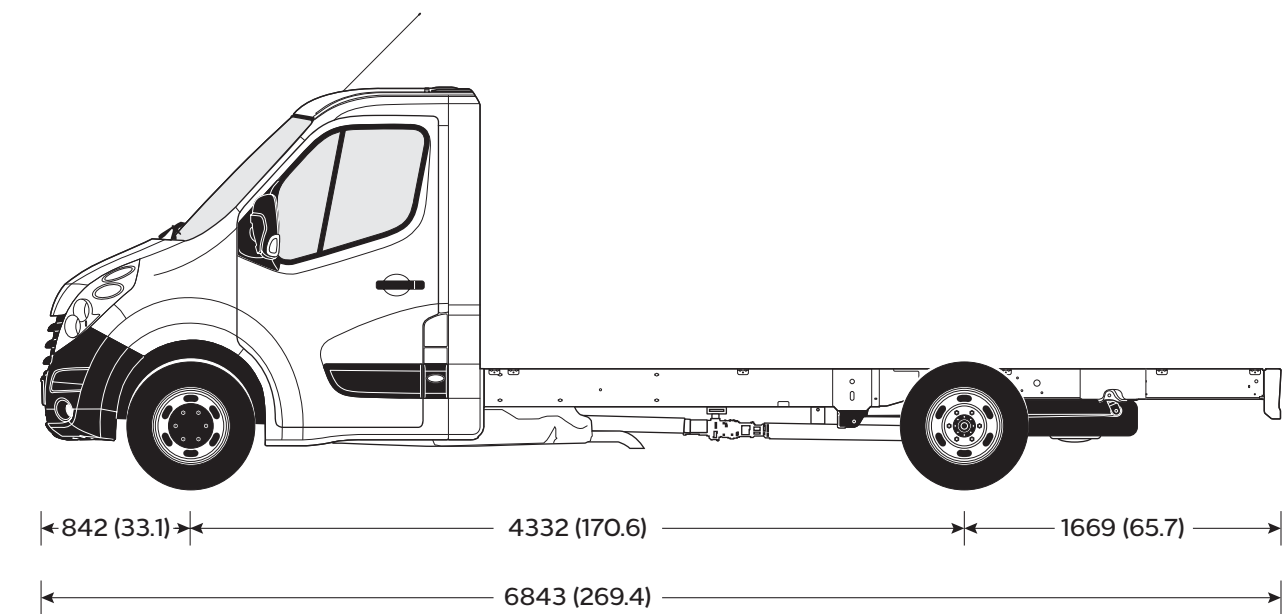
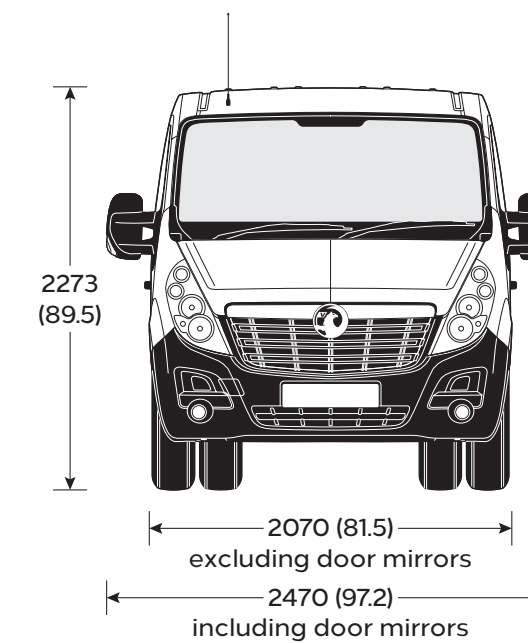
Movano chassis cab models feature rugged box section chassis rails, featuring wide top sections with built-in mounting points. The bolted rear under-run bar on 4.5T variants provides additional in-built safety, as well as ample margins for additional bodywork while retaining outstanding payloads.



L3 FWD



L3 RWD DRW



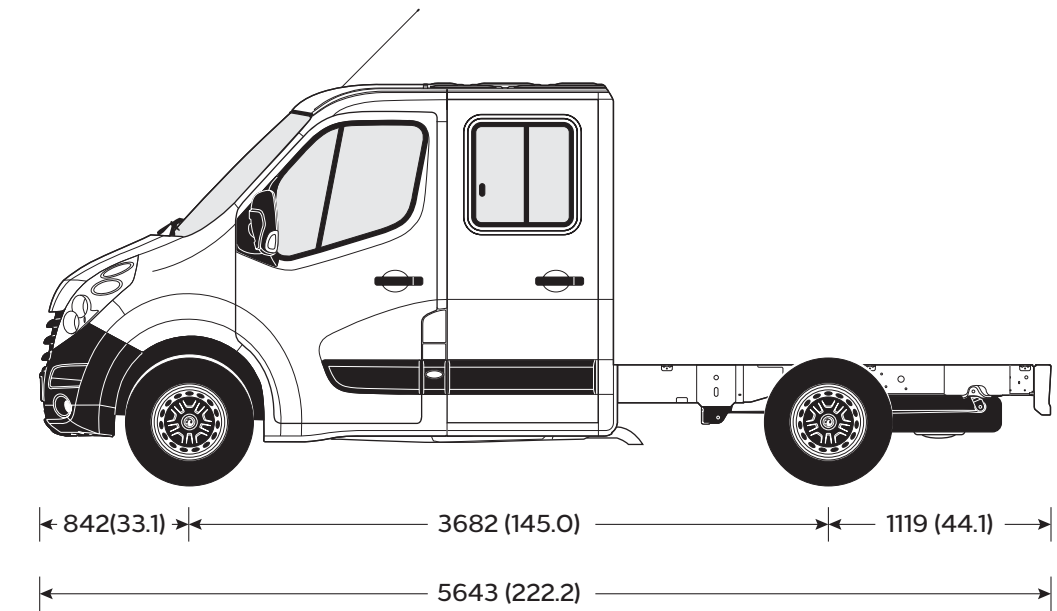
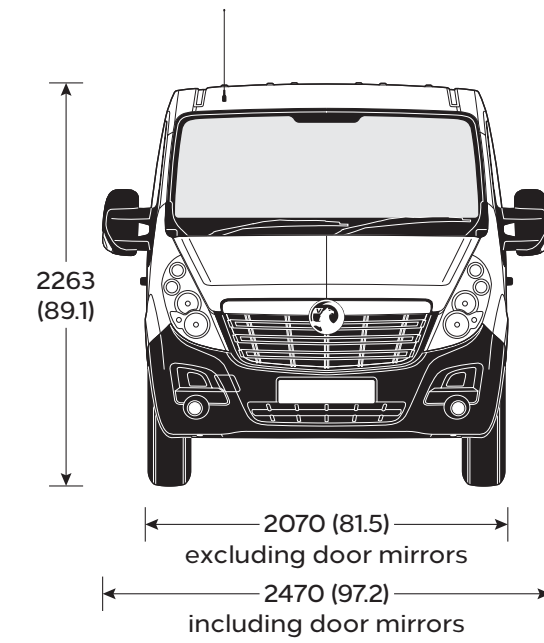
L4 RWD DRW

All conversions must follow 'Vauxhall Converter Requirements' including recommended dimensional data, detailed within Part 1, available at: www.converters-and-groupe-psa.com. The weight of any fitted conversion body will have to be deducted from these figures to establish actual payload and is subject to correct weight distribution. Variations from the recommended dimensions or weights may affect the vehicle's overall centre of gravity and stability. From 29 April 2013 conversion of N1 vehicles was affected by changes to type approval – for further information refer to the VCA website (N2 vehicles were affected from 29 October 2014). For further information please contact conversions@vauxhall.co.uk

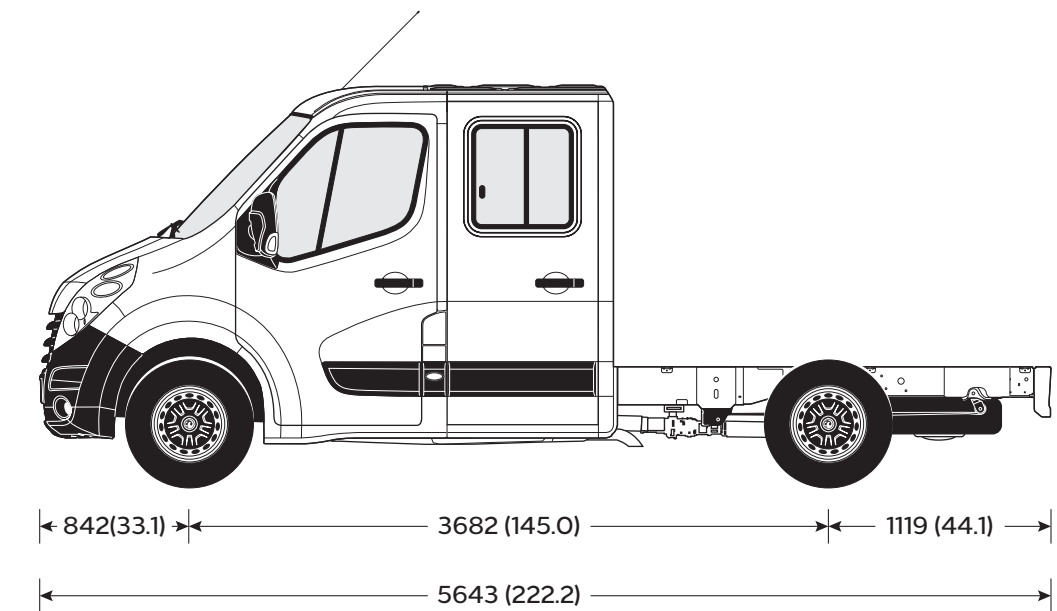
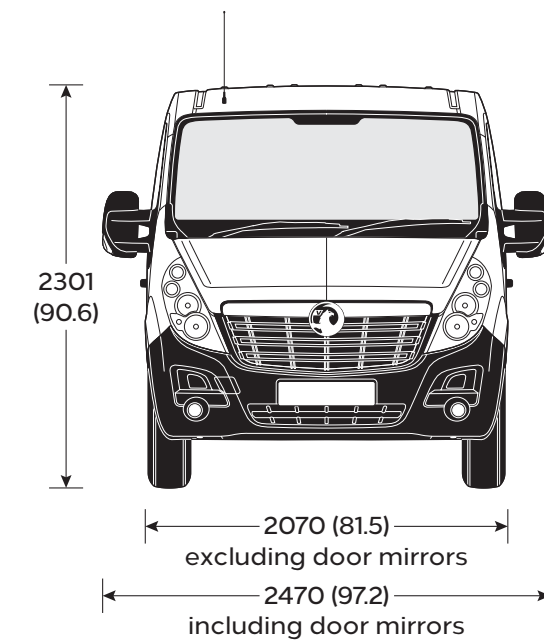
All measurements are in mm (inches) unless stated otherwise. Heights shown unladen.

MOVANO CHASSIS CREW CAB SPECIFICATIONS

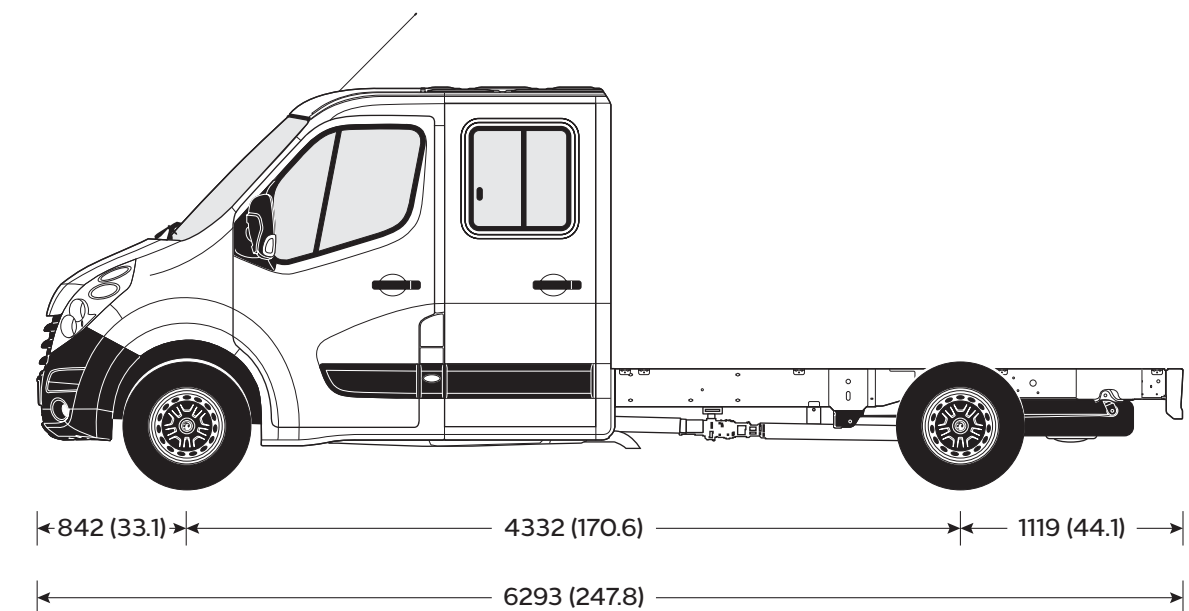
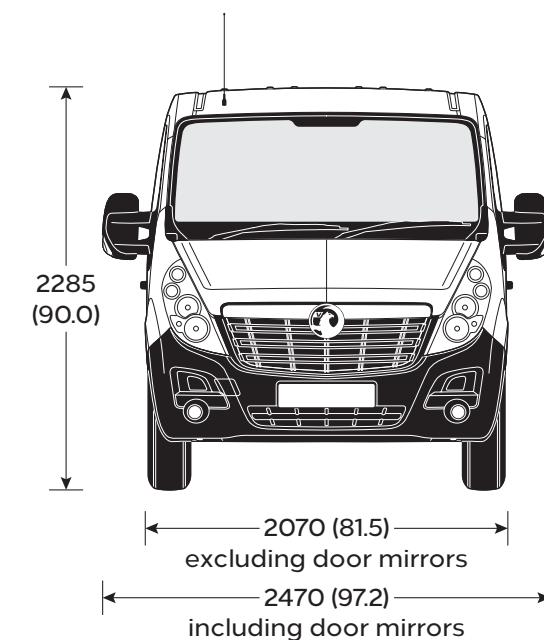
Crew cab models provide the same choice of body configurations and GVWs as our chassis cab variants but introduce an added dose of versatility by providing extra accommodation for four additional crew members.



L2 FWD



L2 RWD



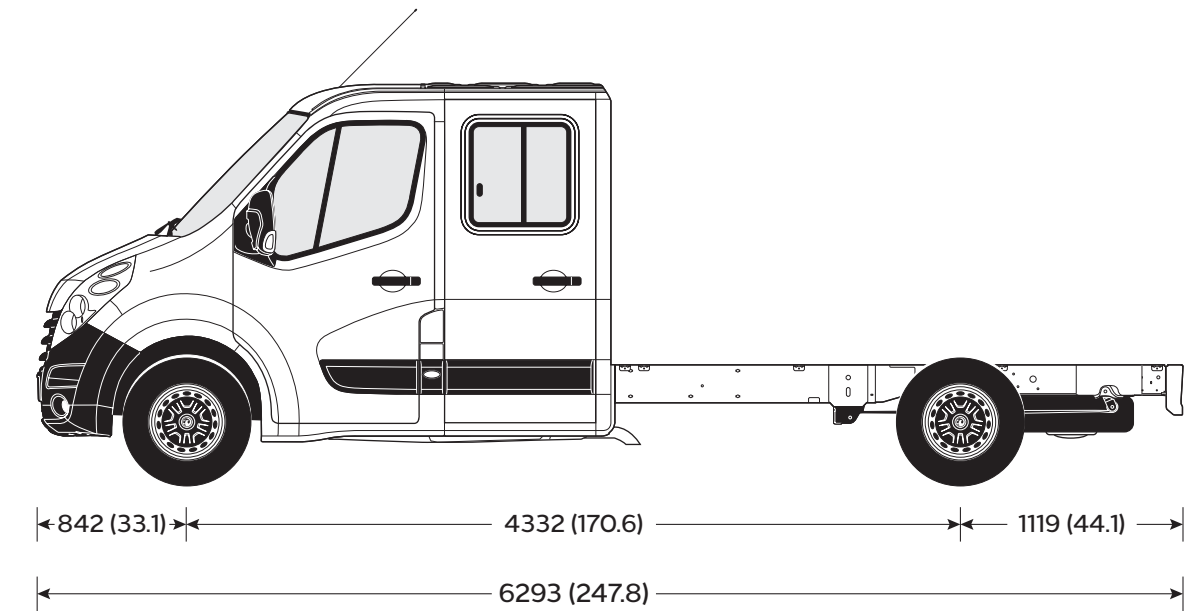
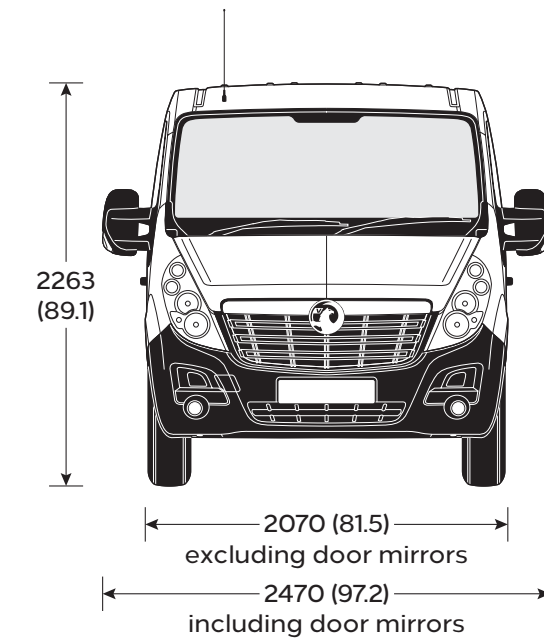
L3 RWD

All conversions must follow 'Vauxhall Converter Requirements' including recommended dimensional data, detailed within Part 1, available at: www.converters-and-groupe-psa.com. The weight of any fitted conversion body will have to be deducted from these figures to establish actual payload and is subject to correct weight distribution. Variations from the recommended dimensions or weights may affect the vehicle's overall centre of gravity and stability. From 29 April 2013 conversion of N1 vehicles was affected by changes to type approval – for further information refer to the VCA website (N2 vehicles were affected from 29 October 2014). For further information please contact conversions@vauxhall.co.uk

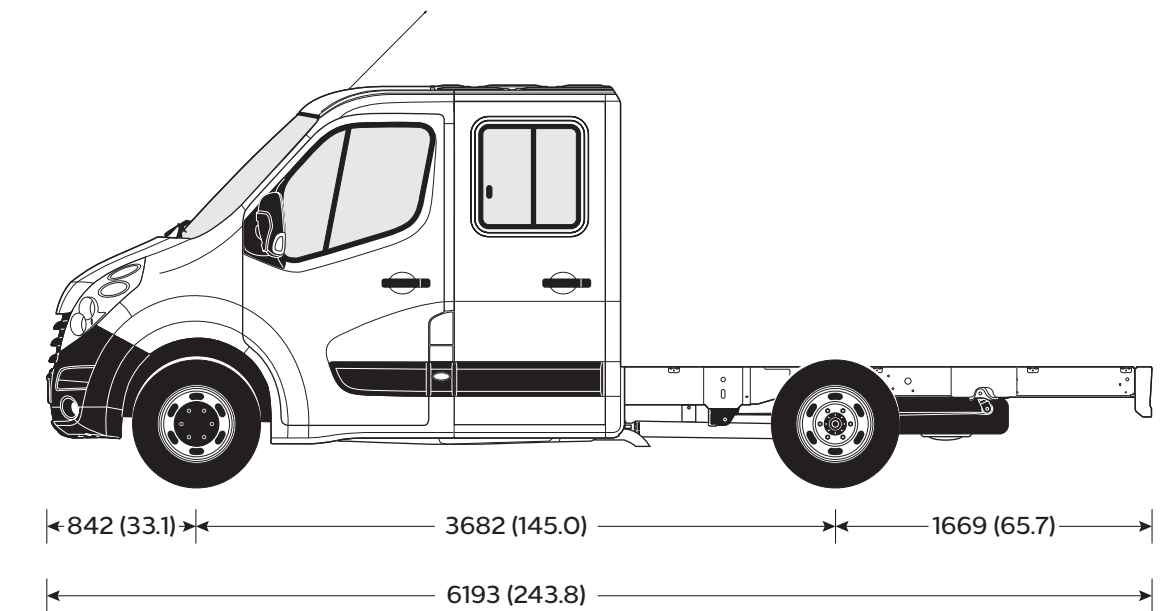
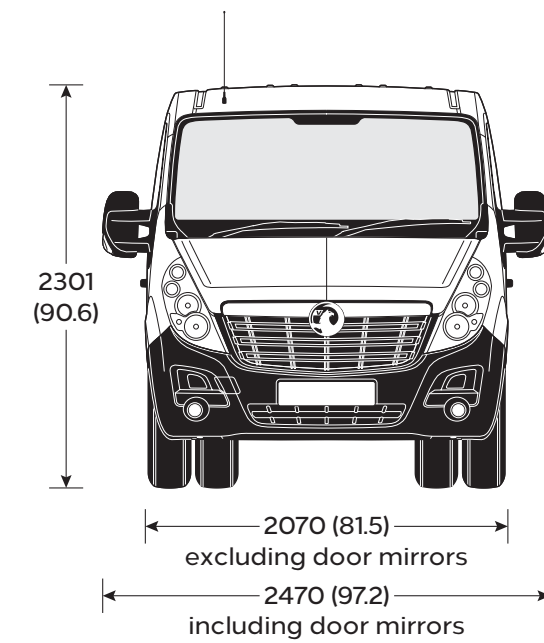
All measurements are in mm (inches) unless stated otherwise. Heights shown unladen.

MOVANO CHASSIS CREW CAB SPECIFICATIONS

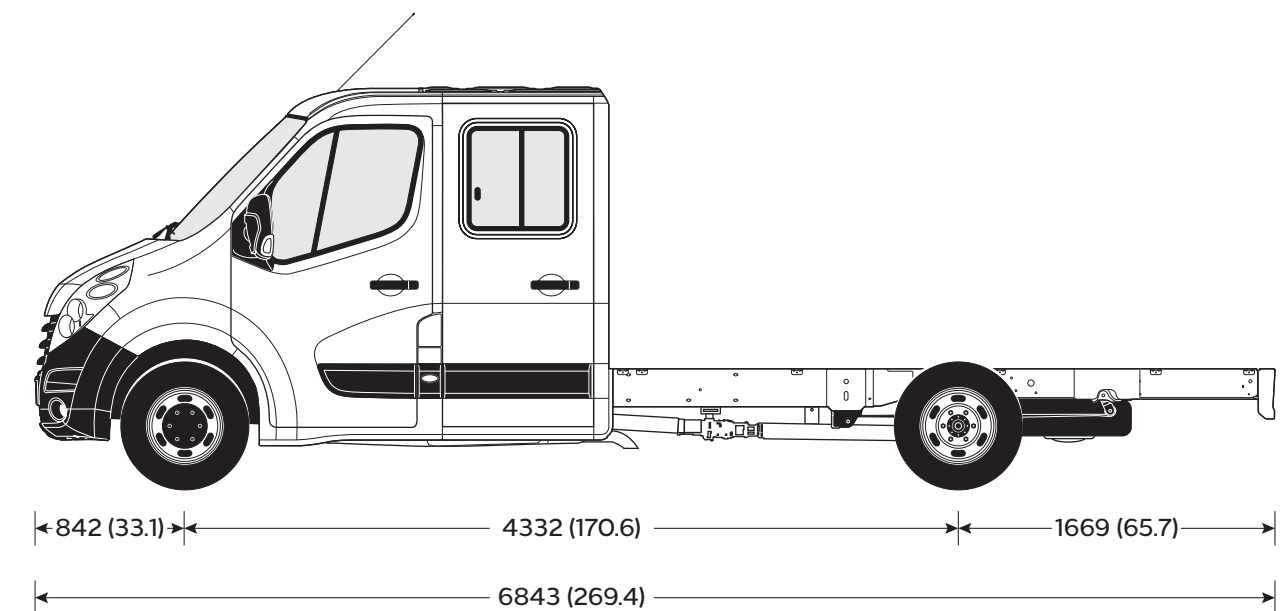
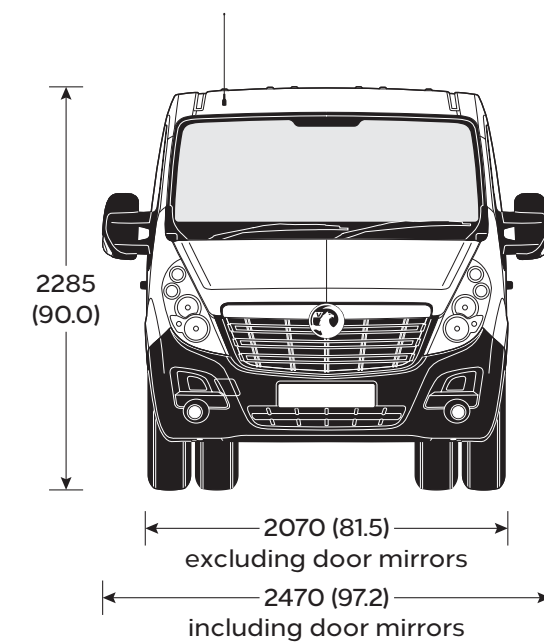
Crew cab models provide the same choice of body configurations and GVWs as our chassis cab variants but introduce an added dose of versatility by providing extra accommodation for four additional crew members.



L3 FWD



L3 RWD DRW



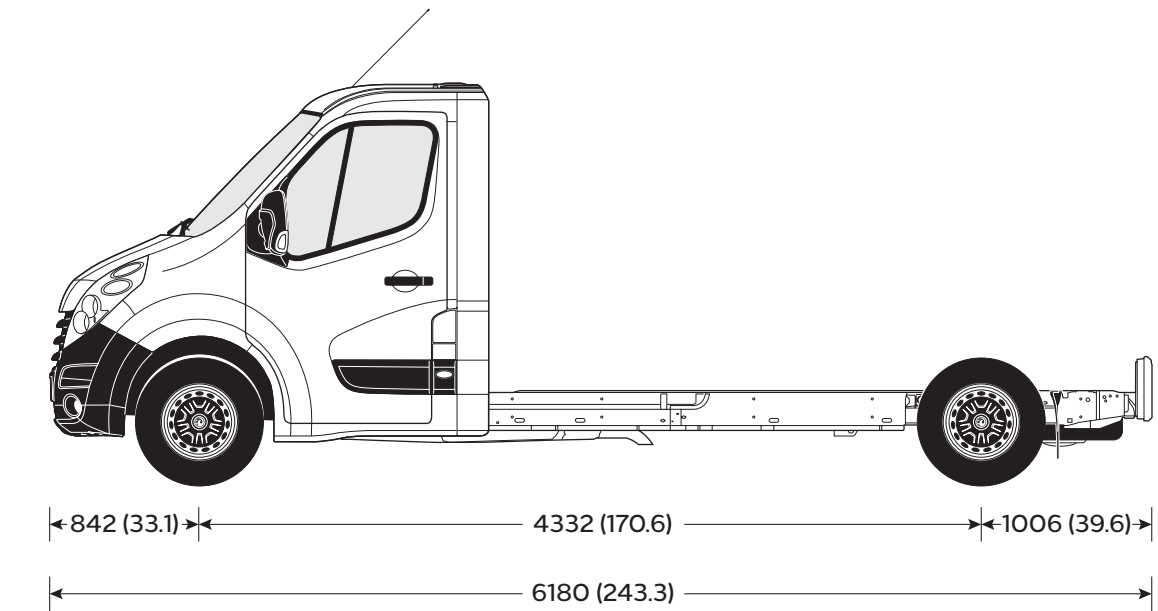
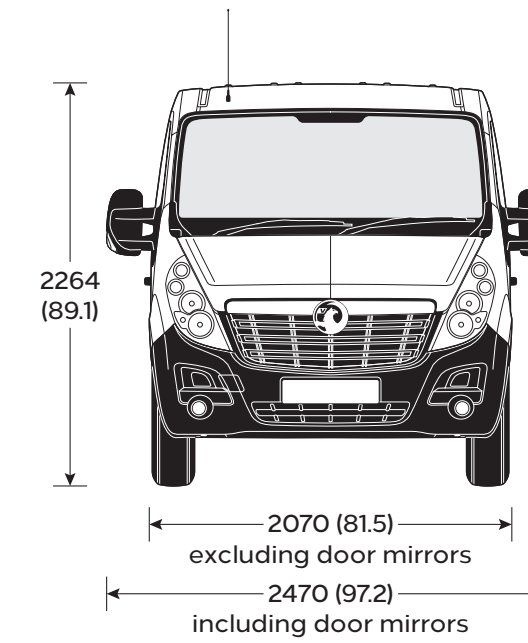
L4 RWD DRW

All conversions must follow 'Vauxhall Converter Requirements' including recommended dimensional data, detailed within Part 1, available at: www.converters-and-groupe-psa.com. The weight of any fitted conversion body will have to be deducted from these figures to establish actual payload and is subject to correct weight distribution. Variations from the recommended dimensions or weights may affect the vehicle's overall centre of gravity and stability. From 29 April 2013 conversion of N1 vehicles was affected by changes to type approval – for further information refer to the VCA website (N2 vehicles were affected from 29 October 2014). For further information please contact conversions@vauxhall.co.uk

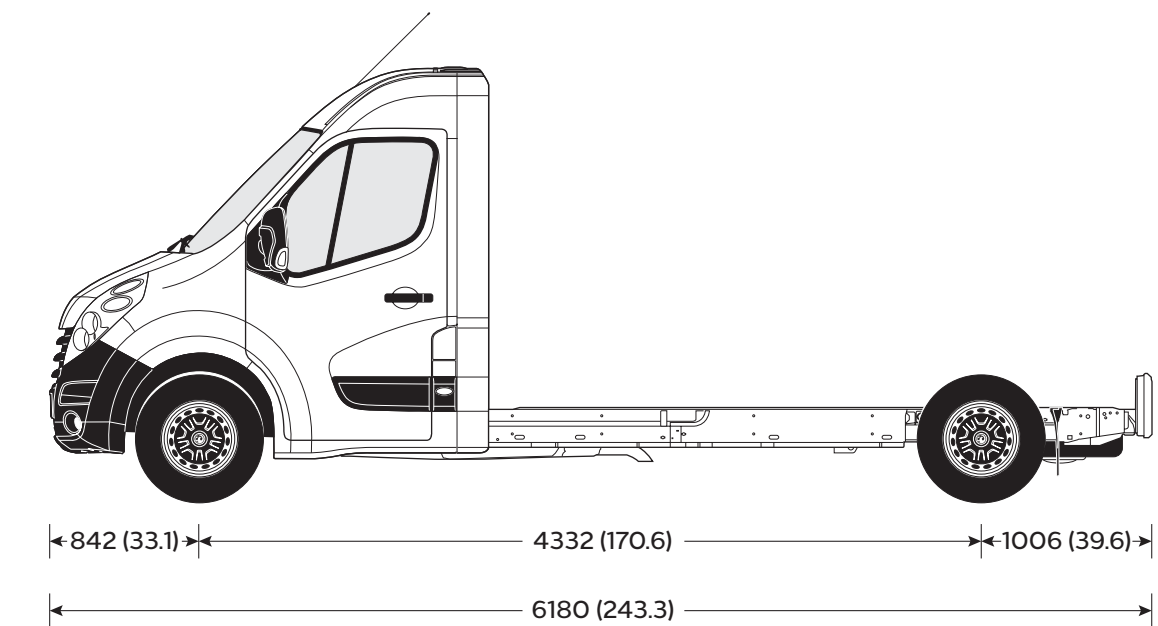
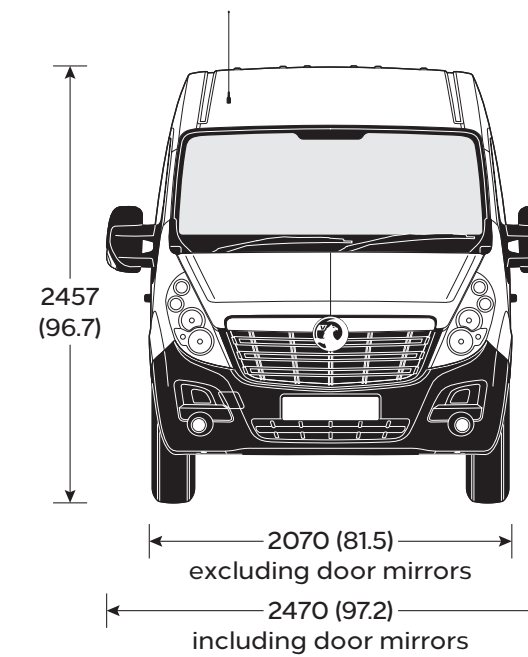
All measurements are in mm (inches) unless stated otherwise. Heights shown unladen.

MOVANO PLATFORM CAB SPECIFICATIONS

Platform cabs are ideal for those conversions requiring a low floor and walk-through access from the cab. The interface panel makes for easy integration of the cab with the conversion body, while an extended-length wiring loom is available to power the rear lights or extended conversions.



L3 H1 FWD



L3 H2 FWD

All conversions must follow 'Vauxhall Convertor Requirements' including recommended dimensional data, detailed within Part 1, available at: www.converters-and-groupe-psa.com. The weight of any fitted conversion body will have to be deducted from these figures to establish actual payload and is subject to correct weight distribution. Variations from the recommended dimensions or weights may affect the vehicle's overall centre of gravity and stability. From 29 April 2013 conversion of N1 vehicles was affected by changes to type approval – for further information refer to the VCA website (N2 vehicles were affected from 29 October 2014). For further information please contact conversions@vauxhall.co.uk

All measurements are in mm (inches) unless stated otherwise. Heights shown unladen.

ACCESSORIES

SAFETY Total (exc. VAT)

| | |
|--|-----|
| Safety kit (first aid kit, hi-vis vest and warning triangle) | £13 |
| Warning triangle | £8 |
| First aid kit | £13 |
| Hi-vis safety vest | |
| – Adult | £4 |
| – Child 3-6 years (42cm) | £3 |
| – Child 7-12 years (52cm) | £3 |
| Emergency seat belt cutter and hammer | £16 |
| Philips ADR620 dash cam | £91 |
| Fire extinguisher with strap | |
| – 1kg | £19 |
| – 2kg | £26 |
| Spare bulb kit (H7) | £45 |

COMFORT

| | |
|---------------------|-----|
| Smokers pack | £39 |
| Coat hanger | £55 |
| Fragrance diffuser | £20 |
| Fragrance cartridge | £15 |

PROTECTION

| | |
|---|------|
| Rear window grille | |
| – H1 | £192 |
| Side sliding door (right) window grille | |
| – L1 | £158 |
| Side sliding door (right) window grille | |
| – L2/L3/L4 | £167 |
| Carpet front floor mat | £52 |
| Mudflaps (pair) | |
| – front | £59 |
| – rear RWD single wheels | £63 |
| – rear RWD twin wheels | £53 |
| – rear FWD | £45 |
| Load compartment net | £79 |

TRANSPORT SOLUTIONS Total (exc. VAT)

| | |
|--|--------|
| Base carrier (set of 2 bars) | |
| – H1 | £286 |
| – H2 | £288 |
| Aluminium roof rack tray (including roller) | |
| – L1 H1 | £1,027 |
| – L1 H2 | £1,027 |
| – L2 H2 | £1,152 |
| – L3 H2 | £1,143 |
| – L4 H2 | £819 |
| Roof rack tray steel walkway | |
| – L1 | £277 |
| – L2 | £320 |
| – L3 | £331 |
| – L4 | £351 |
| Roof rack tray black steel walkway | |
| – L4 | £261 |
| Roof carrier ladder | |
| – H1 | £273 |
| – H2 | £292 |
| Roof carriers | |
| Thule ladder tilt 311 | £511 |
| Thule ladder holder 330 | £119 |
| Thule ladder roller 335 | £55 |
| Thule front load stop system (side profiles) | £130 |
| Thule front load stop system 321 (front) | £83 |
| Thule ratchet tie down strap | £14 |
| Thule fold down load stop 315 | £52 |
| Thule square bar adapter | £17 |

GLOSSARY OF TERMS

Plated weight

The maximum weight to which a vehicle or an axle may be loaded, determined either by the design of the components or by legislation. All commercial vehicles must carry a manufacturer's 'plate' showing the vehicle and axle gross 'plated weights'. It is an offence to drive a vehicle in a condition where any of these weights are exceeded.

Minimum Mass

Minimum Mass ('Mass in running order' on Certificate of Conformity and 'Mass in Service' on V5C form) is defined according to European Type Approval and include all fluids, tools and 90% fuel load. It is minimum mass for this variant and does not consider local specification/trim or deletable options (specific to Movano). Weights are also subject to manufacturing tolerances (EU Legislation allows 5% tolerance).

Gross Vehicle Weight (GVW)

The total permissible weight of a vehicle including payload and passengers, as shown on the manufacturer's plate.

Gross Combination Weight (GCW)

The maximum permissible weight of a vehicle, including payload and passengers, combined with the total weight of any trailer it is towing. The maximum GCW weight limit is quoted on the vehicle plate and must not be exceeded.

Payload

The total permissible weight that can be carried without exceeding the vehicle's plated weight. Payload do not include driver but do take into consideration specification/trim level:

Weights are also subject to manufacturing tolerances (EU Legislation allows 5% tolerance). Payload does not consider any additional options that a customer may order.

Roof loads

- Combo roof load should not exceed 100kg including the weight of the roof rack/carrier
- Vivaro roof load should not exceed 170kg including the weight of the roof rack/carrier
- Movano roof load should not exceed 200kg (150kg on H1 models) including the weight of the roof rack/carrier. H3 are not permitted to carry roof loads

Maximum towing weight

The maximum weight of any trailer and its load which may be towed within the limit of the vehicle's plated Gross Combination Weight (GCW). It is based on the ability of the vehicle – at full GCW – to restart on a 12% gradient, which is approximately 1 in 8.3, at sea level. At altitudes above 1500 metres, the engine output may drop with a corresponding reduction in towing capability. It is the operator's responsibility to ensure that the trailer noseweight does not cause the rear axle plated weight of the towing vehicle to be exceeded.

Always fit Vauxhall towing attachments and accessories available from your Vauxhall Commercial Vehicle Retailer. They are designed specifically for Vauxhall models and carry a 12-month warranty.

Light Duty and Heavy Duty cycles

For a Light Duty cycle (EC regulation 715/2007 with designation 'Euro 6') the emissions of the whole vehicle are evaluated whereas for Heavy Duty cycle (EC regulation 595/2009 with designation 'Euro VI') only the engine is bench tested. The requirement of which cycle is necessary is determined by the reference mass of the vehicle. In the case of Movano, reference mass calculations dictate that:

- N1 FWD and M1 FWD are approved as Light Duty
- N1 RWD, N2 RWD and M2 FWD are approved as Heavy Duty

Conversions

With Vivaro a new conversion portal is introduced. This significantly improves the transparency and response of all communication with body-builders, and converters:

www.converters-and-groupe-psa.com

This website contains complete technical guidelines necessary to convert Vauxhall commercial vehicles – Combo (K9), Vivaro (K0) and Movano (X62). All vital and fundamental information is now located in one place:

- Conversion Guidelines
- Technical Data
- 3D CAD (coming)
- WLTP guidance
- Body shell ordering

Additionally there is a new Q&A service for technical questions, and the new conversion approval process will also be managed through this portal.

Any converter of Vauxhall product should create an account on this portal including those using IVA as approval process. In fact WLTP will make this necessary.

Commercial Vehicle Categories

Differences between M1/N1 and M2/N2 (Vehicles with GVW above 3500kg)

Category M: Passenger carriers

Category M1: Vehicles designed and constructed for the carriage of passengers and comprising no more than eight seats in addition to the driver's seat.

Category M2: Vehicles designed and constructed for the carriage of passengers, comprising more than eight seats in addition to the driver's seat, and having a maximum mass not exceeding 5 tonnes.

Category N: Goods vehicles

Category N1: Vehicles designed and constructed for the carriage of goods and having a maximum mass not exceeding 3.5 tonnes.

Category N2: Vehicles designed and constructed for the carriage of goods and having a maximum mass exceeding 3.5 tonnes but not exceeding 12 tonnes.

Specific differences, all M2/N2 require the following:

Speed limiter: All M2/N2 vehicles are legally required to be speed limited. M2 to 62mph and N2 to 56mph.

GLOSSARY OF TERMS

Driver licence: Commercial vehicles with GVW greater than 3.5 tonnes have different license requirements. For any new drivers C1 category is necessary. Under some circumstances (social purposes for a non-commercial body) it is possible to drive a minibus without a D1 entitlement (Minibus) however eligibility for this exemption should be confirmed with DVSA.

Driver CPC: Driver Certificate of Professional Competence mandates 35 hours of periodic training every 5 years to maintain licence (from September 2014).

Tachograph: It is a legal requirement to administer the activities of drivers subject to the EU or AETR drivers' hours rules, and also record the vehicle's speed, distance and time. A Smart Card is required for digital tachograph and these are available from the DVLA. The tachograph of a new vehicle must be calibrated within two weeks of first registration.

Operator's Licence: This may also be required to ensure that vehicles are kept safe and in good condition at all times. Specifically for M2, PSV (public service vehicle) operator's licence is required. Exemptions in some circumstances may be permitted but this should always be confirmed with DVSA.

MOT Testing: M2/N2 must be tested each year, and vehicle presented with a completed Certificate of Conformity (CoC). This is available from Vauxhall (regdata@gm.com) or from converter in case of second-stage conversion.

Conversions - WLTP

There is a mandatory CO₂ target that comes into effect in 2020. There are specific targets for both cars and light commercial vehicles. With respect to LCVs, Vauxhall will be responsible for the CO₂ of complete converted vehicle, and defined Maxi-Pollutant Values must be respected. These values are:

- Mass in Running Order (kg)
- Frontal Surface (m²)
- Rolling Resistance Coefficient of tyres (kg/t)
- Air Inlet Surface to cool the engine (dm²)

Conversion Guidelines; Maxi-Pollutant Values and links to CO₂ calculator can all be found on the converter portal at www.converters-and-groupe-psa.com

Second-stage conversions based on a Euro 6D TEMP engine cannot be registered unless they have passed the CO₂ calculator. If Maxi-Pollutant values are not followed, then CO₂ calculation will fail and converted vehicle cannot be registered. It would be necessary then to change the conversion.

- Process change:** All vehicles with heavy duty engines to be ordered with WLTP (QYI/QXI/QWI)
- If RM>2610kg, CoC will reflect NEDC automatically
 - In case of incomplete versions, at 2nd stage approval NEDC to be assumed if RM >2610kg

Movano engine selection

| | Euro 6D Temp Road Load Matrix (RLM) FWD only | Euro 6D Temp Default Road Load FWD only | Euro VID WLTP RWD or FWD |
|-------------------------|--|---|--------------------------------|
| | - | - | XYEP |
| Low - Manual | QJI 135 | QMI 135 | QWI 130 |
| Middle - Manual | Q96 150 | QZI 150 | QXI 145 |
| High - Manual | QVI 180 | QUI 180 | QYI 165 |
| High - MTA | QBF 180 | QFF 180 | N/A |
| Minimum Reference Mass | - | - | 2380 |
| Maximum Reference Mass | 2610 | 2840 | 2610 |
| Maximum Front Area | No change allowed | 7.48m ² | 8.23m ² |
| Minimum air-intake area | 0.155m ² | 0.155m ² | 0.155m ² |
| Rolling Resistance | 6.68 Kg/t | 6.68 Kg/t | 6.68 Kg/t |

Reference Mass = unladen vehicle (90% fuel; all fluids; no driver) + conversion + 100kg.

FURTHER INFORMATION

Vauxhall on-the-road recommended retail prices (RRP)

To eliminate uncertainty about hidden costs incurred when buying a new commercial vehicle, Vauxhall publishes on-the-road prices and these are shown in the pricing tables within this price guide. The prices shown are manufacturer's recommended retail prices (RRP) unless otherwise stated, exclusive of VAT (currently at a rate of 20% which may be payable). These prices include the recommended cost of number plates, delivery to a Vauxhall Retailer of £583.33 (£700.00 including VAT), 12 months' Government Vehicle Excise Duty* and the DVLA new vehicle first registration fee of £55.00*.

Please note: The RRP does not include fuel supplied by the Retailer, motor insurance or any other goods or services supplied by agreement between the Retailer and customer.

Price protection for all Vauxhalls

Order a new Vauxhall for build in the current model year (as confirmed by your Retailer) for delivery no more than three months in advance and the price you are quoted is the price you pay. This is irrespective of any subsequent price rises between placing your order and delivery of your new commercial vehicle, but you must take delivery as soon as the commercial vehicle is available. Vauxhall Motors Limited is not liable for price adjustments caused by Government changes in the rate of VAT (currently 20%), Vehicle Excise Duty, DVLA new vehicle first registration fee or by any other applicable legislation or regulations.

In the event of an accident...

Vauxhall Accident Management helps keep you mobile following an accident. Benefits include vehicle recovery, Vauxhall-approved repairs and contacting your insurer. For more details, visit www.vauxhall.co.uk/AccidentManagement

Vehicle Excise Duty

The amount of Vehicle Excise Duty (road fund licence) payable on new commercial vehicles varies depending on gross vehicle weight (GVW) and European standard emissions compliance, as shown below*.

| | |
|------------------|---------|
| Up to 3500kg GVW | £275.00 |
| Over 3500kg GVW | £165.00 |

*Correct at time of publication.

Customer Care Commitment

For added peace of mind, Vauxhall has an innovative Customer Care Commitment** that offers the following:

- Three-year vehicle warranty consisting of a one-year/unlimited mileage manufacturer's warranty and a second and third year manufacturer's warranty with a 60,000 miles (Combo) and 100,000 miles (Vivaro and Movano) limitation
- Vauxhall Assistance for 12 months from first registration
- Five years' body panel anti-perforation warranty

**Warranty is only on vehicles sourced from Vauxhall Motors Limited. Terms and conditions apply – please see your Vauxhall Retailer for details.

Vauxhall Assistance

Vauxhall Assistance is provided Automatically with every new Vauxhall Commercial Vehicle for 12 months from first registration and covers everything from accidents, mechanical breakdown to flat tyres. With Vauxhall Assistance help is literally just a free† phone call away, 24 hours a day, 365 days a year!

†Mobile phone users will be charged at their standard tariff.

Vauxhall Extended Warranty

For complete peace of mind Vauxhall offers an extended warranty that can be purchased on an annual basis following the expiry of the original new vehicle warranty. It covers most mechanical

and electrical components. Terms and conditions apply, for further details please contact your local Vauxhall Retailer.

Protecting the environment

Our products are increasingly winning environmental awards, both through the use of more recycled materials and by becoming cleaner and more efficient. For information on Vauxhall's efforts to achieve an environmentally sustainable future, including information on Design for Recycling, take-back of End-of-Life Vehicles (ELVs), and the recycling of ELVs, see www.vauxhall.co.uk/recycling

Van Business Centres

Keeping your van on the road. We know how important your van is to you, that's why we're geared up to minimise your downtime.

Our nationwide Van Business Centres provide fast, convenient value for money servicing, repairs and MOTs.

- All work is carried out by Vauxhall trained technicians using only genuine parts
- No appointments are required for diagnosis and we offer a 'while you wait' service

We have all the expertise required and will spare no effort to get you back in business as soon as possible.

Vauxhall Service Plan

Vauxhall Retailers offer a great service for owners of all Vauxhall vehicles. Value for money, regular offers and free check-ups, combined with the peace of mind that comes from using Vauxhall-trained technicians and genuine parts, help keep your vehicle in peak condition at all times. Every Vauxhall Retailer supports our customer promise:

We are Vauxhall experts

- Fully Vauxhall-trained technicians
- We use Vauxhall approved diagnostic equipment and specialist tools
- Full access to Vauxhall repair databases and technical centres

We are transparent

- Our invoicing will clearly set out the work at the price agreed with no hidden extras

We are never beaten on price

- We will match any written like for like service/repair quote from a local^{††} competitor using genuine repair methods and parts

We are convenient

- Flexible booking times to suit you
- 'One-stop shop' for every type of Vauxhall service
- While you wait facility on stocked tyres, batteries and exhausts
- Free courtesy vehicle or local collection with annual services and warranty work

We are thorough

- 25 point safety check with any workshop visit
- No obligation advice on essential and non-essential work
- Free check for safety enhancements and upgrades to your vehicle and software
- Free 'Wash and Vac' with every annual service
- Free fitting of wipers and external bulbs with annual services

^{††}A radius of five miles/20 minutes from your Vauxhall Retailer.

For more product information

For further information on the Vauxhall range or location of your nearest Vauxhall Retailer please call 0345 600 1500. Alternatively, details can be found on our website at www.vauxhall.co.uk

For more information call **0345 600 1500**

Discover the full Vauxhall range at **[vauxhall.co.uk](https://www.vauxhall.co.uk)**

Join us online

The invoice price, including delivery to Retailer, factory-fitted options, accessories fitted by the Retailer and number plates, is subject to VAT. Some feature descriptions in this guide may refer to, and some illustrations may show, optional equipment not included in the standard delivery. The information contained in this guide was accurate at the time of publication. We reserve the right to make changes in design and equipment. Please note that Vauxhall Retailers are not the agents of Vauxhall Motors Limited and are not authorised to bind Vauxhall Motors Limited by any specific or implied undertaking or representation. It is advisable to ensure that your motor insurance policy provides adequate cover for additional fitted options and accessories. The colours in this guide are only approximate actual colours. Illustrated optional equipment is available at extra charge. Availability, technical features and equipment provided on our vehicles can vary by model. For precise information on the equipment provided on our vehicles, please contact your local Vauxhall Retailer.

VAUXHALL